



US00D662713S

(12) **United States Design Patent**
Marshall et al.

(10) **Patent No.:** **US D662,713 S**
(45) **Date of Patent:** **** Jul. 3, 2012**

(54) **CARRIER**

(75) Inventors: **Karen Marshall**, Rives Junction, MI
(US); **Ann Rademacher**, Lexington, KY
(US)

(73) Assignees: **Karen Marshall**, Rives Junction, MI
(US); **Ann Rademacher**, Lexington, KY
(US)

(**) Term: **14 Years**

(21) Appl. No.: **29/389,872**

(22) Filed: **Apr. 18, 2011**

(51) **LOC (9) Cl.** **03-01**

(52) **U.S. Cl.** **D3/315**

(58) **Field of Classification Search** D3/204,
D3/218, 226, 230, 232, 243, 245, 246, 247,
D3/249, 272, 273, 275, 276, 283–285, 289,
D3/290, 299, 303, 315, 294–296, 903; 206/6.1,
206/235, 457, 349, 373, 5, 38, 380, 579,
206/581; 190/125; D6/632

See application file for complete search history.

(56) **References Cited**

U.S. PATENT DOCUMENTS

4,466,124 A 8/1984 Kirkham, Jr.
4,604,765 A 8/1986 Schultz
D445,252 S * 7/2001 Klamm D3/289
6,343,968 B1 2/2002 Louie et al.

6,386,761 B1 5/2002 Bohnsack
D458,749 S * 6/2002 Bruni et al. D3/289
7,058,997 B1 6/2006 Klinger
D524,049 S * 7/2006 Hughes D3/289
D544,711 S * 6/2007 Mundy et al. D3/247
7,296,665 B2 * 11/2007 Morszeck 190/125
D557,893 S * 12/2007 Chan et al. D3/206
D606,310 S * 12/2009 Lown et al. D3/301
D622,505 S * 8/2010 Lown et al. D3/289
D623,857 S * 9/2010 Austin D3/289
D652,214 S * 1/2012 Swartz et al. D3/301

* cited by examiner

Primary Examiner — Ian Simmons

Assistant Examiner — Charles Hanson

(74) *Attorney, Agent, or Firm* — Fitch, Even, Tabin &
Flannery, LLP

(57) **CLAIM**

The ornamental design for a carrier, as shown and described.

DESCRIPTION

FIG. 1 is a perspective view of a carrier of the present inven-
tion.

FIG. 2 is a front view thereof.

FIG. 3 is a side view thereof.

FIG. 4 is an alternate side view thereof.

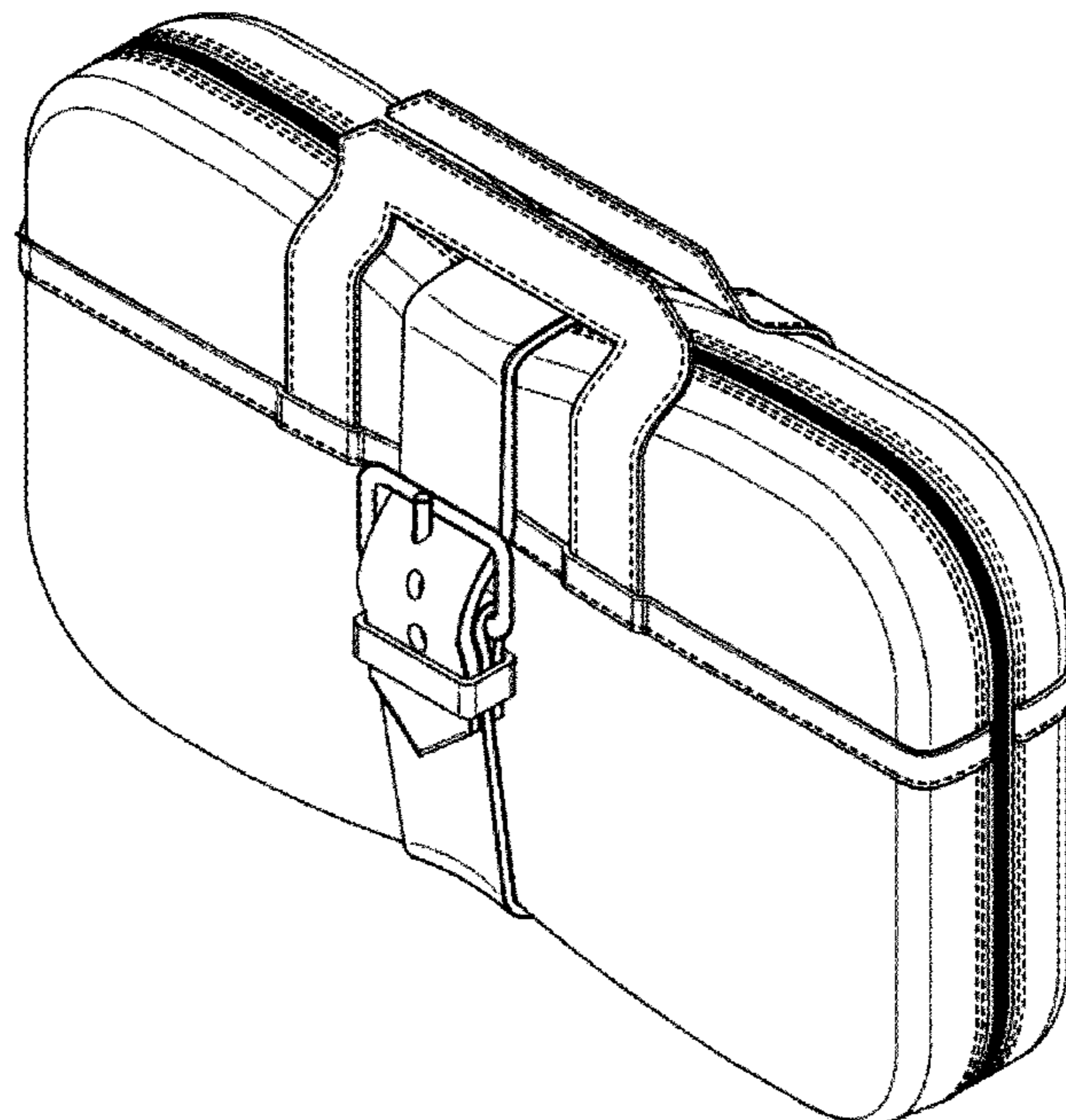
FIG. 5 is a top view thereof.

FIG. 6 is a bottom view thereof; and,

FIG. 7 is a back view thereof.

The dashed lines in the drawings illustrate stitching.

1 Claim, 5 Drawing Sheets



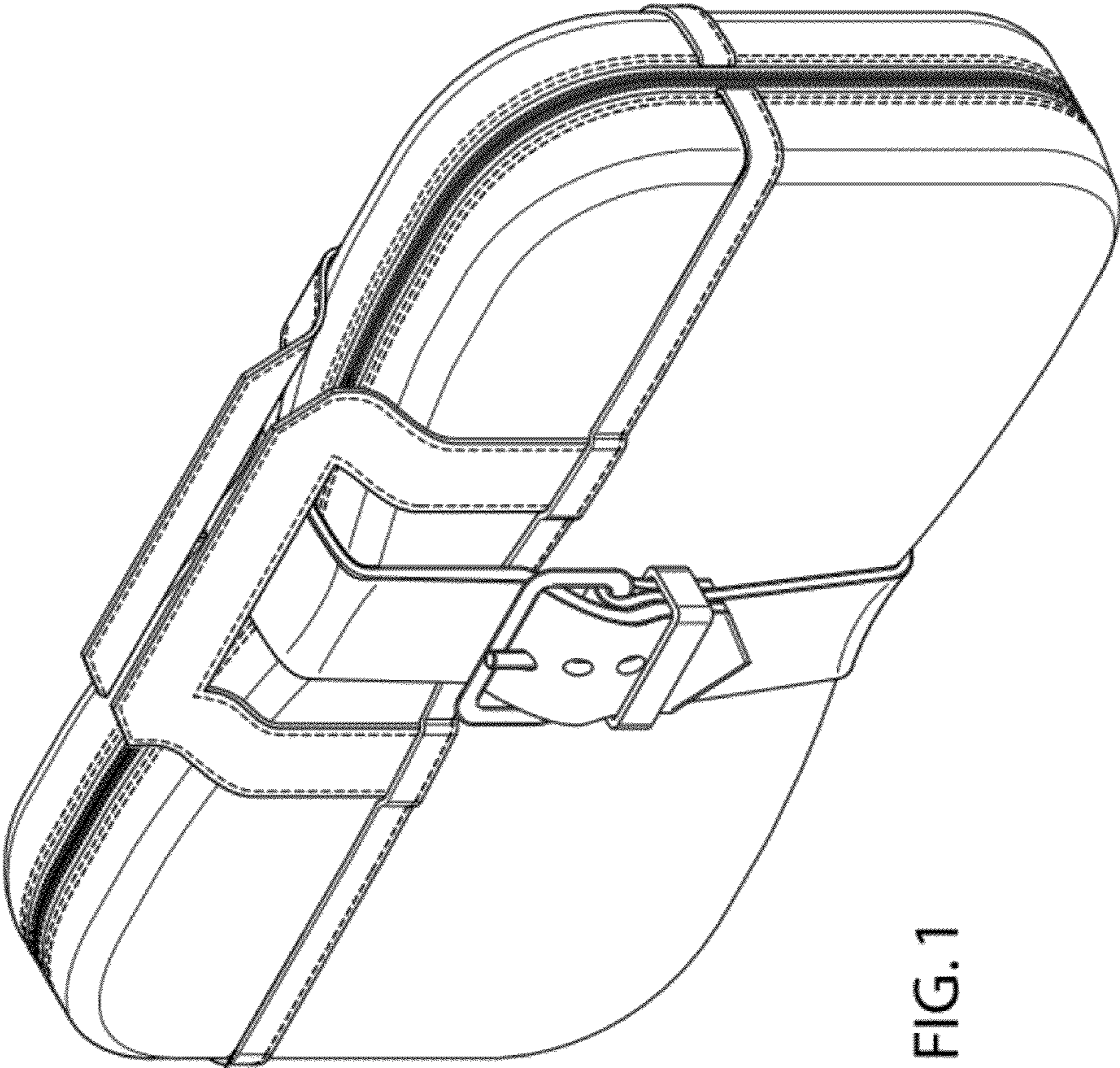


FIG. 1

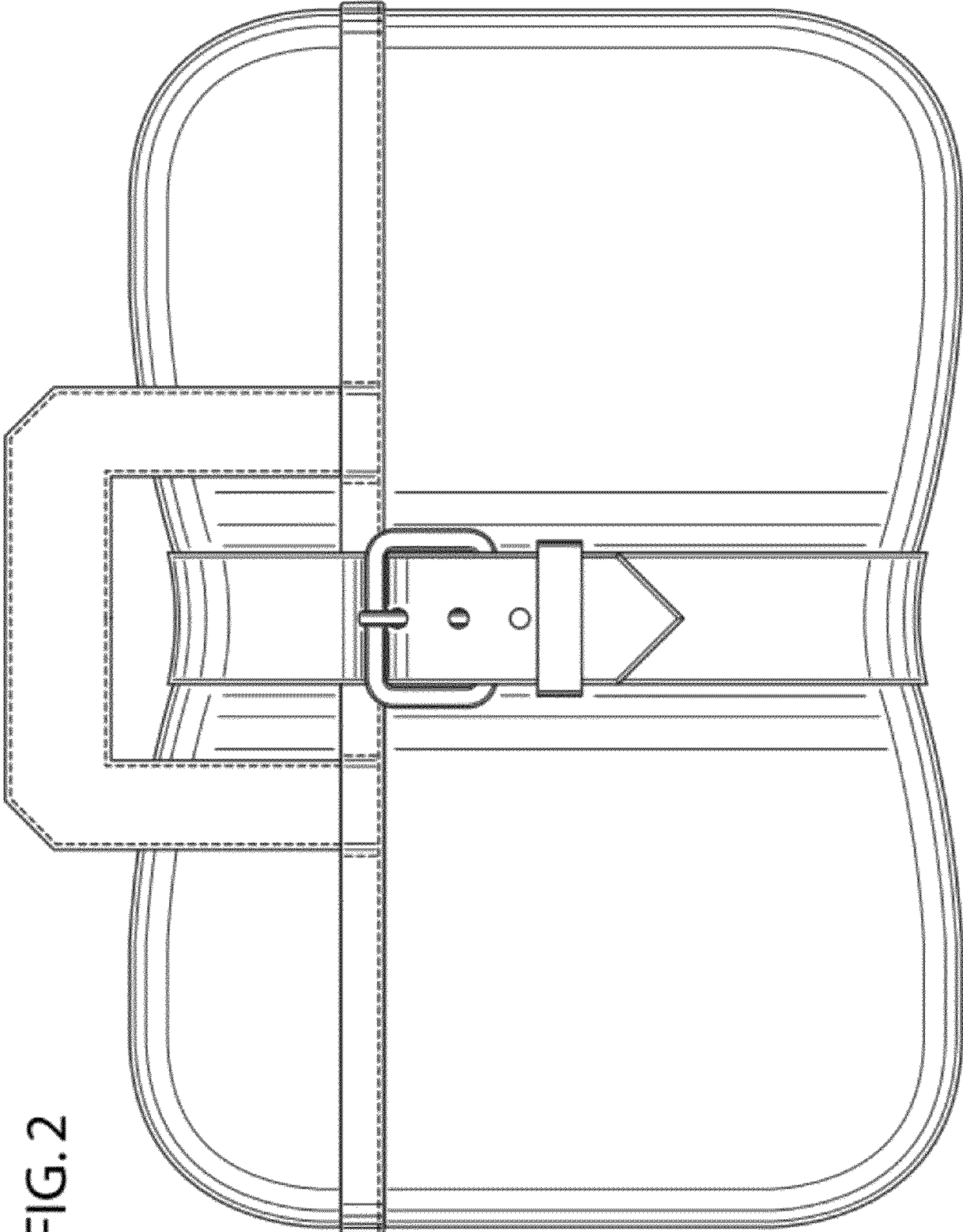


FIG. 2

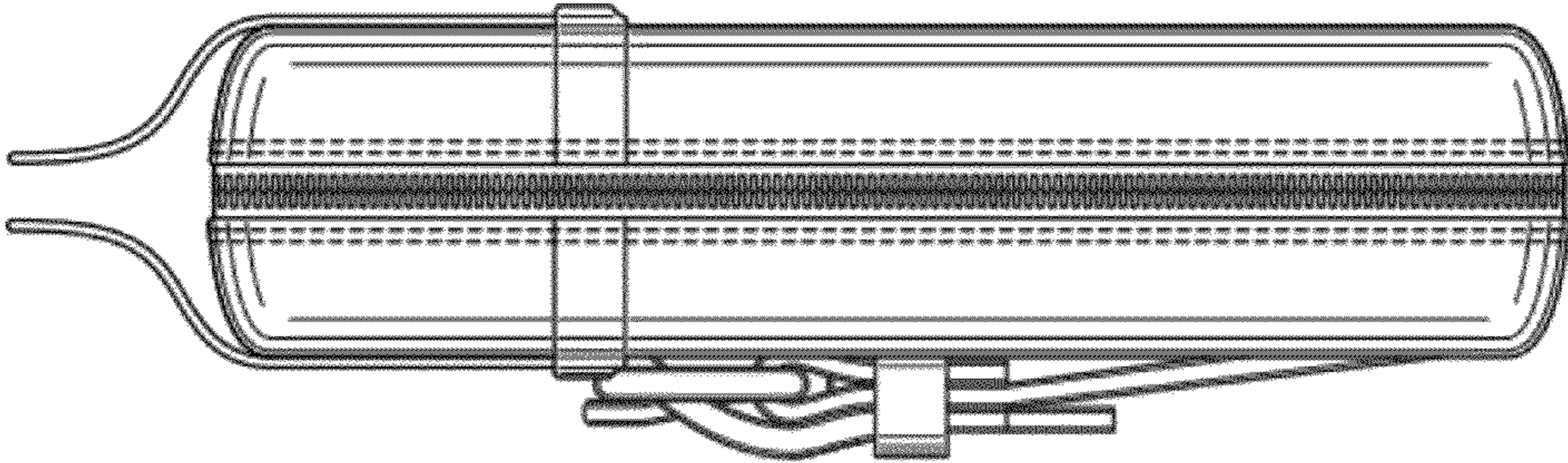


FIG. 4

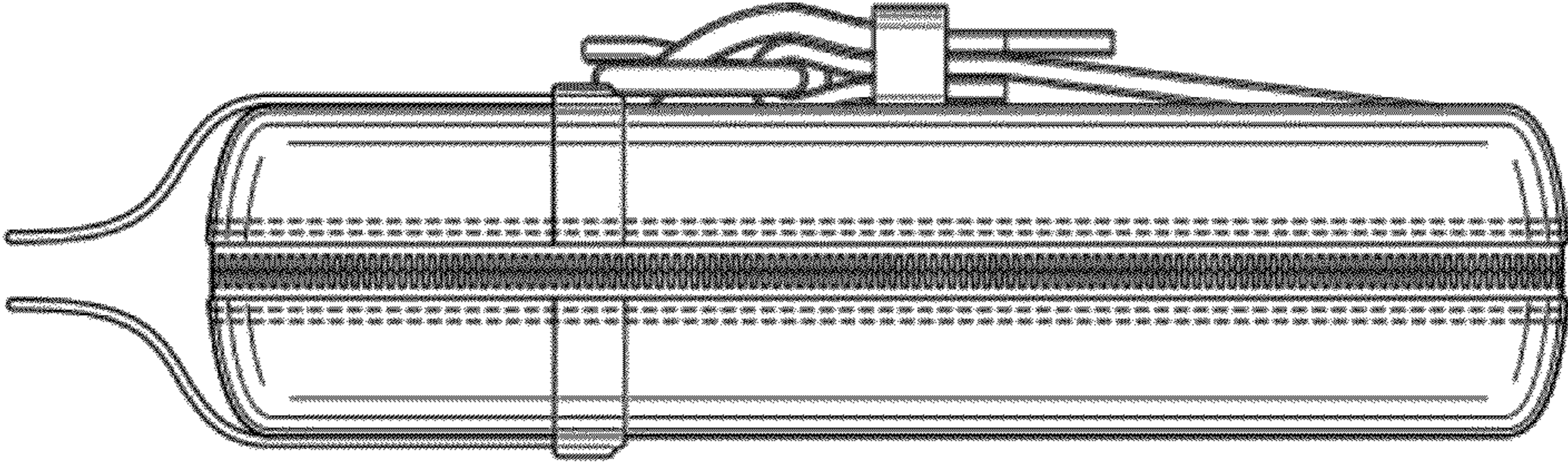


FIG. 3

FIG. 5

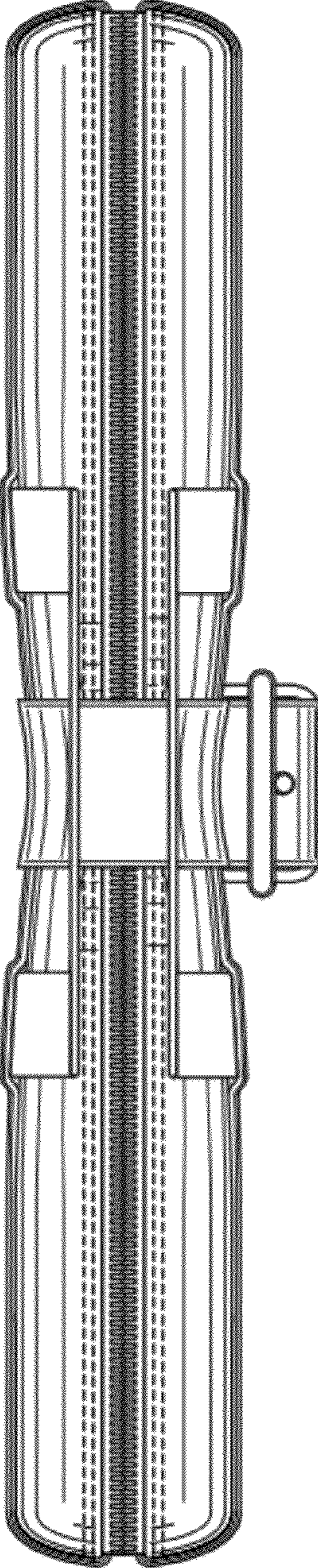
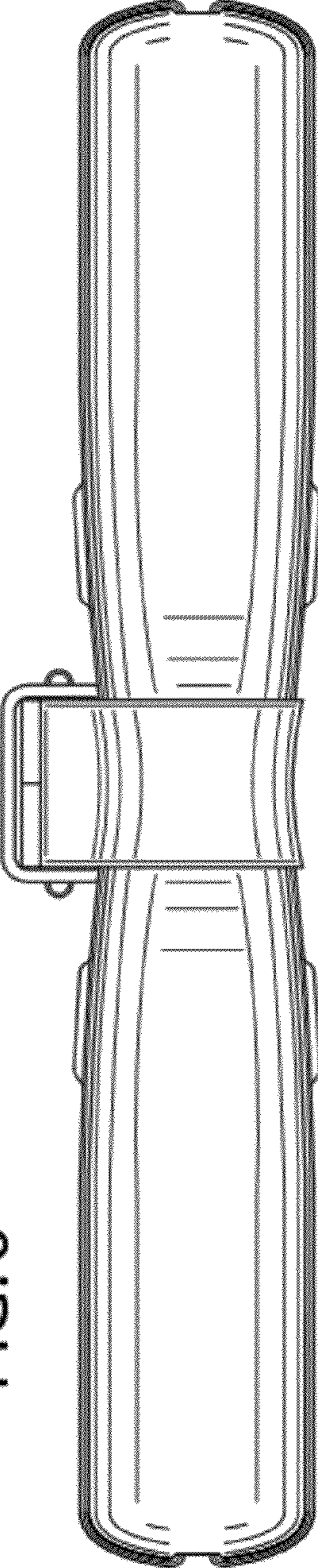


FIG. 6



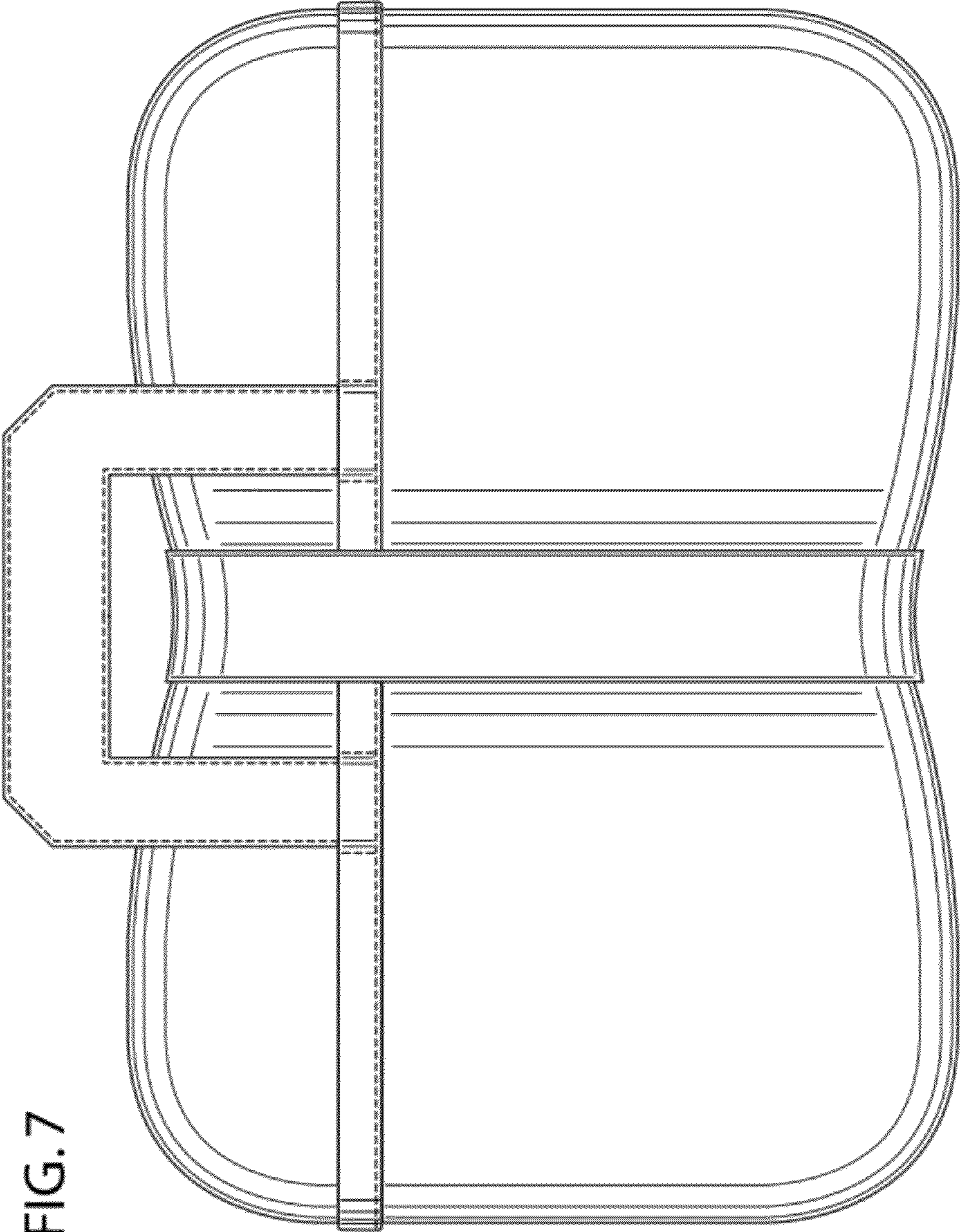


FIG. 7