



US00D662712S

(12) **United States Design Patent**
Rodriguez

(10) **Patent No.:** **US D662,712 S**

(45) **Date of Patent:** **** Jul. 3, 2012**

(54) **APPLIANCE CARRIER**

(76) Inventor: **Michael Rodriguez**, Irvine, CA (US)

(**) Term: **14 Years**

(21) Appl. No.: **29/413,926**

(22) Filed: **Feb. 22, 2012**

(51) **LOC (9) Cl.** **03-01**

(52) **U.S. Cl.** **D3/310**

(58) **Field of Classification Search** D3/201,
D3/215, 283-285, 303-310, 315, 318; D9/414;
D19/177; 220/23.83, 23.86, 500, 752; 206/372-373
See application file for complete search history.

(56) **References Cited**

U.S. PATENT DOCUMENTS

3,893,607	A *	7/1975	Jones	206/576
5,433,373	A *	7/1995	Zoeller	229/117.26
D440,047	S *	4/2001	Crump	D3/319
D451,281	S *	12/2001	Wodkowski et al.	D3/315
6,745,895	B2 *	6/2004	Silvers	206/233
D525,032	S *	7/2006	Jones	D3/315
D541,531	S *	5/2007	Leao	D3/308
D577,489	S *	9/2008	Debowiecki	D3/315
D635,769	S *	4/2011	Sosnovsky	D3/304

* cited by examiner

Primary Examiner — Kelley Donnelly

(74) *Attorney, Agent, or Firm* — Marc E. Hankin; Kevin Schraven; Hankin Patent Law, APC

(57) **CLAIM**

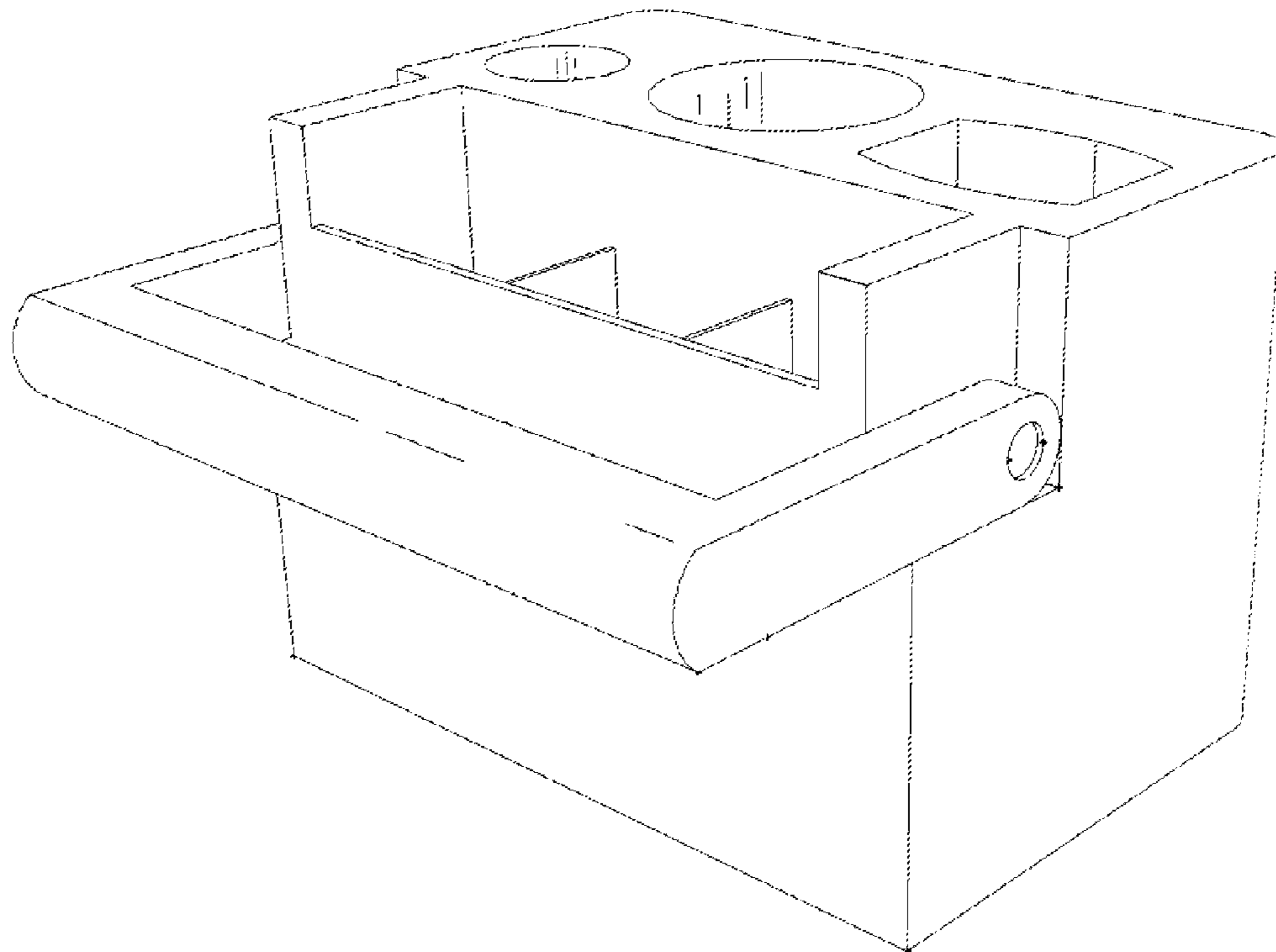
The ornamental design for an appliance carrier, as shown and described.

DESCRIPTION

FIG. 1 is a side perspective view of the appliance carrier;
 FIG. 2 is a front perspective view thereof;
 FIG. 3 is a bottom perspective view thereof;
 FIG. 4 is a rear perspective view thereof;
 FIG. 5 is a top perspective view thereof;
 FIG. 6 is a top perspective view thereof with the handle in the down position;
 FIG. 7 is a rear perspective view thereof;
 FIG. 8 is a front plan view with the handle in the up position thereof;
 FIG. 9 is a top plan view thereof with the handle in the down position thereof;
 FIG. 10 is right side plan view thereof with the handle in the up position thereof;
 FIG. 11 is a left side plan view thereof;
 FIG. 12 is a right side plan view with the handle in the down position thereof;
 FIG. 13 is a rear plan view thereof with the handle in the up position; and,
 FIG. 14 is a bottom plan side view thereof.

The broken line showing in FIGS. 1, 2, 3, 8, and 9 are for the purpose of illustrating the environment of the design and form no part of the claimed design.

1 Claim, 14 Drawing Sheets



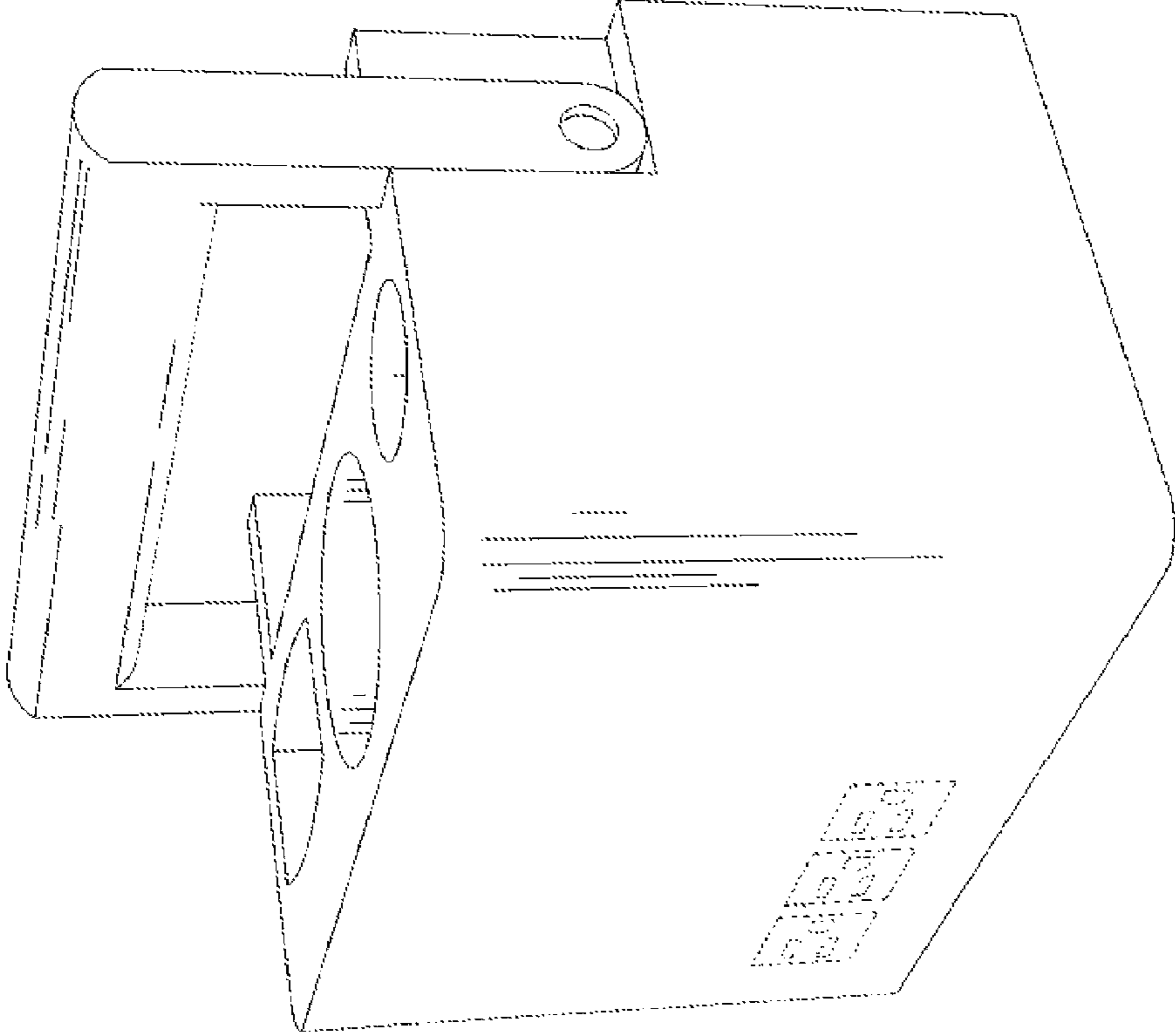


FIG. 1

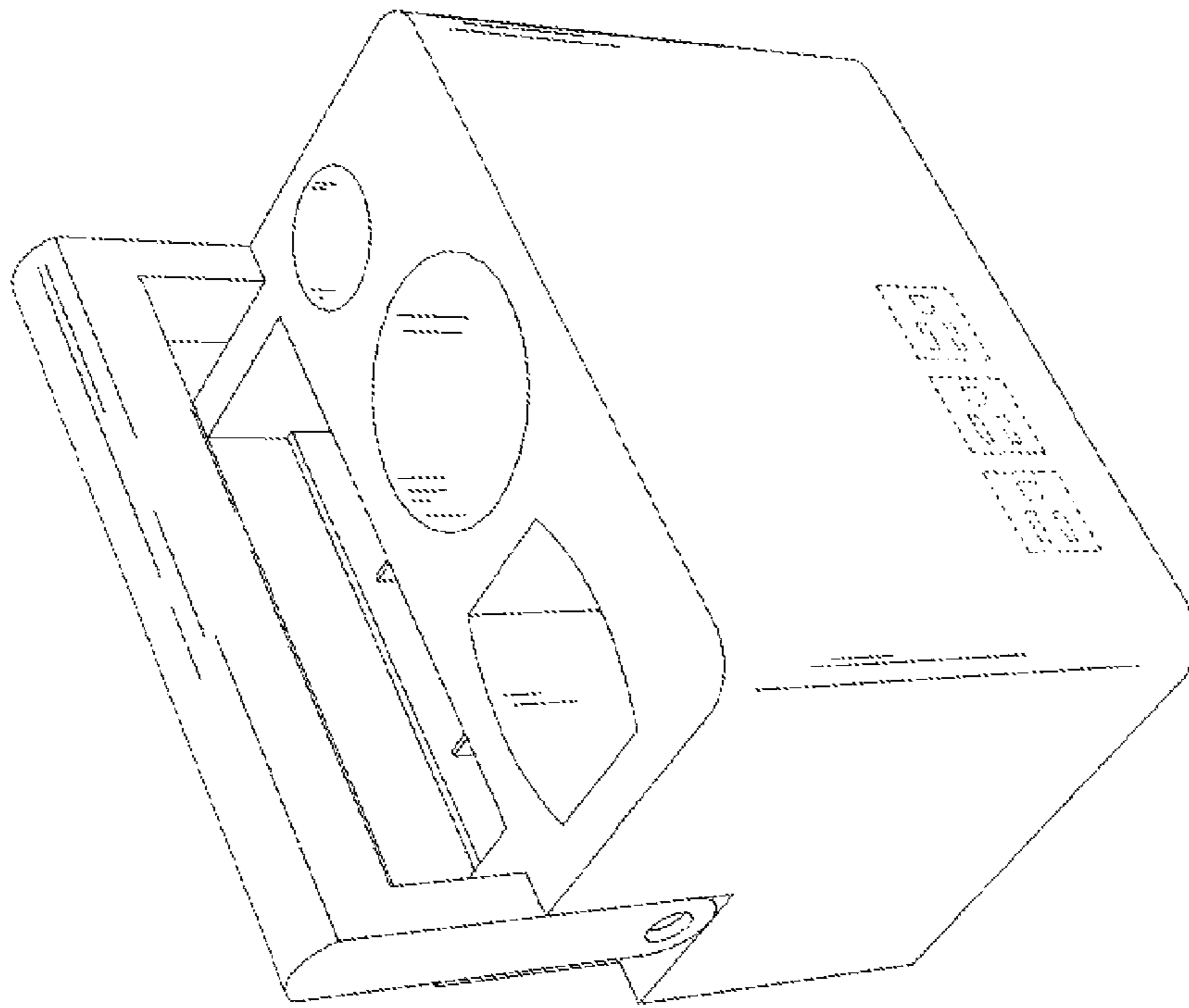


FIG. 2

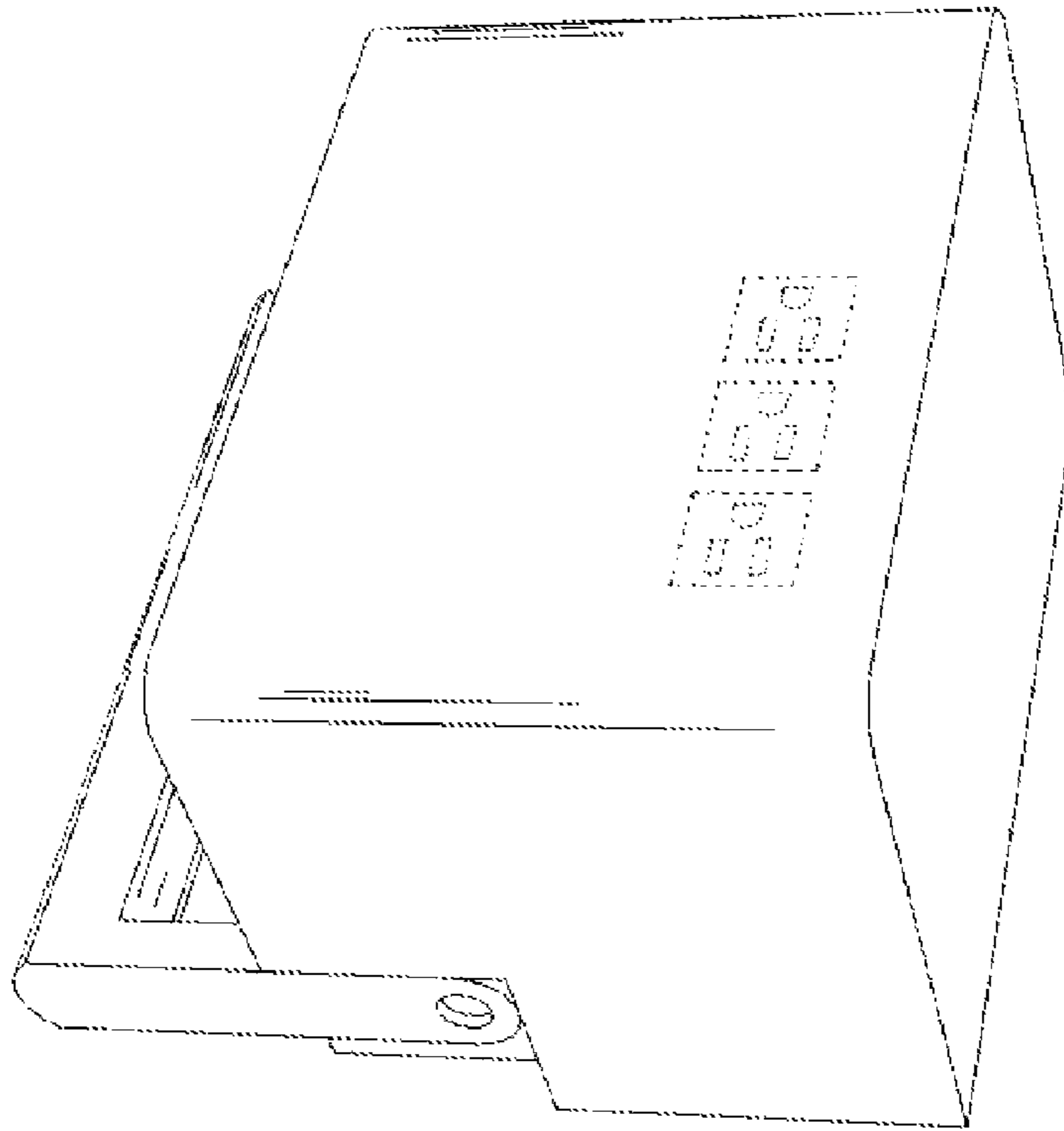


FIG. 3

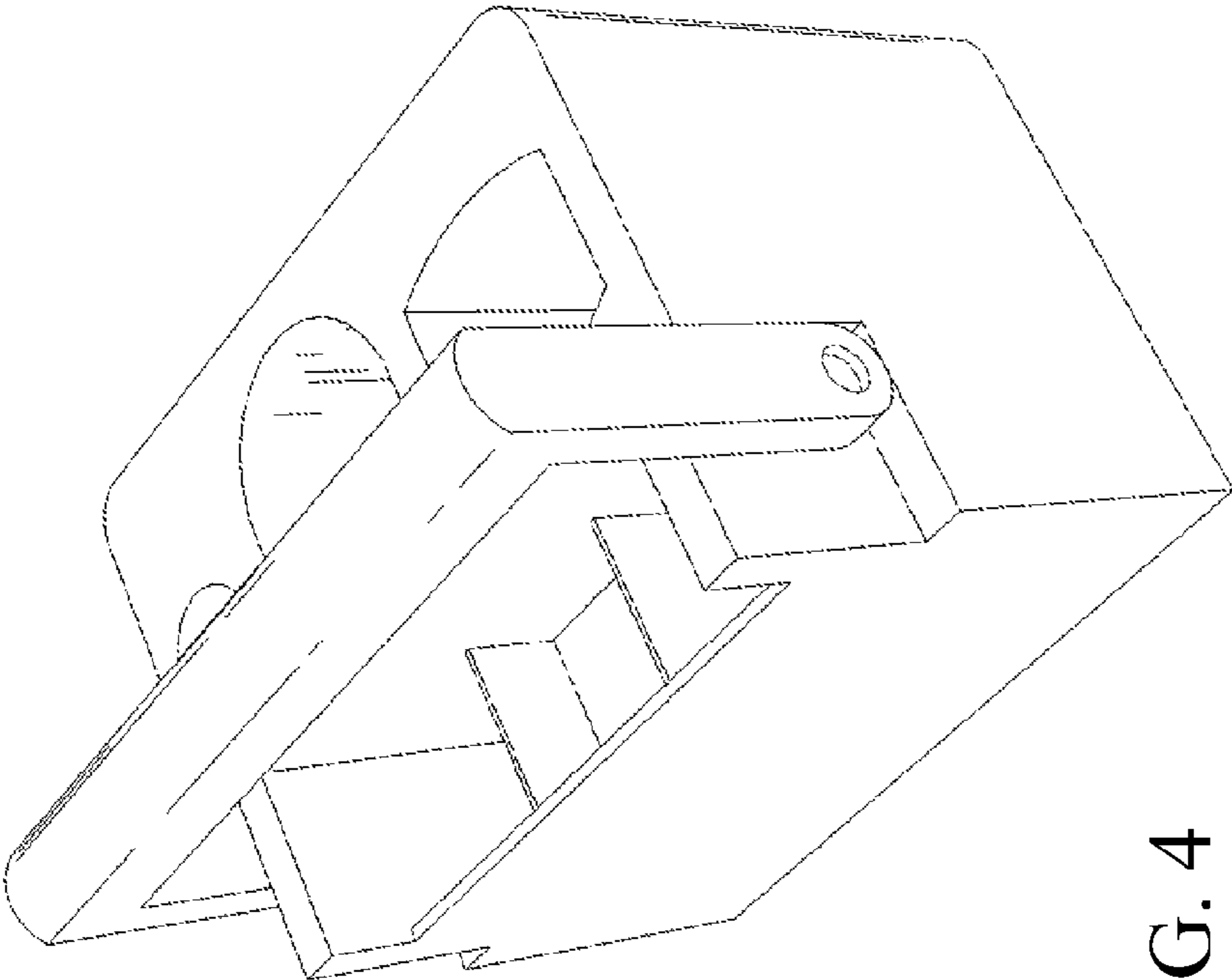


FIG. 4

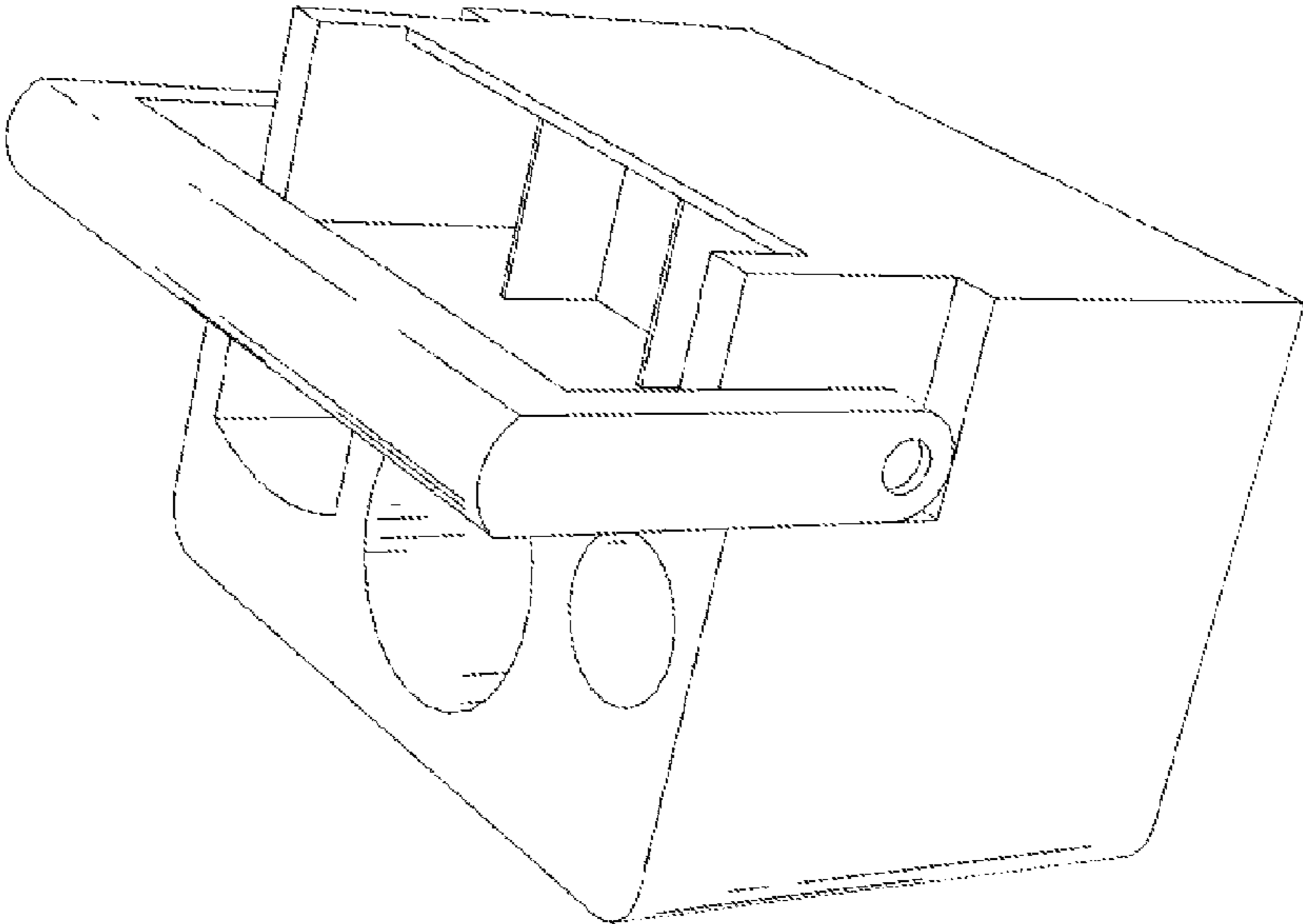


FIG. 5

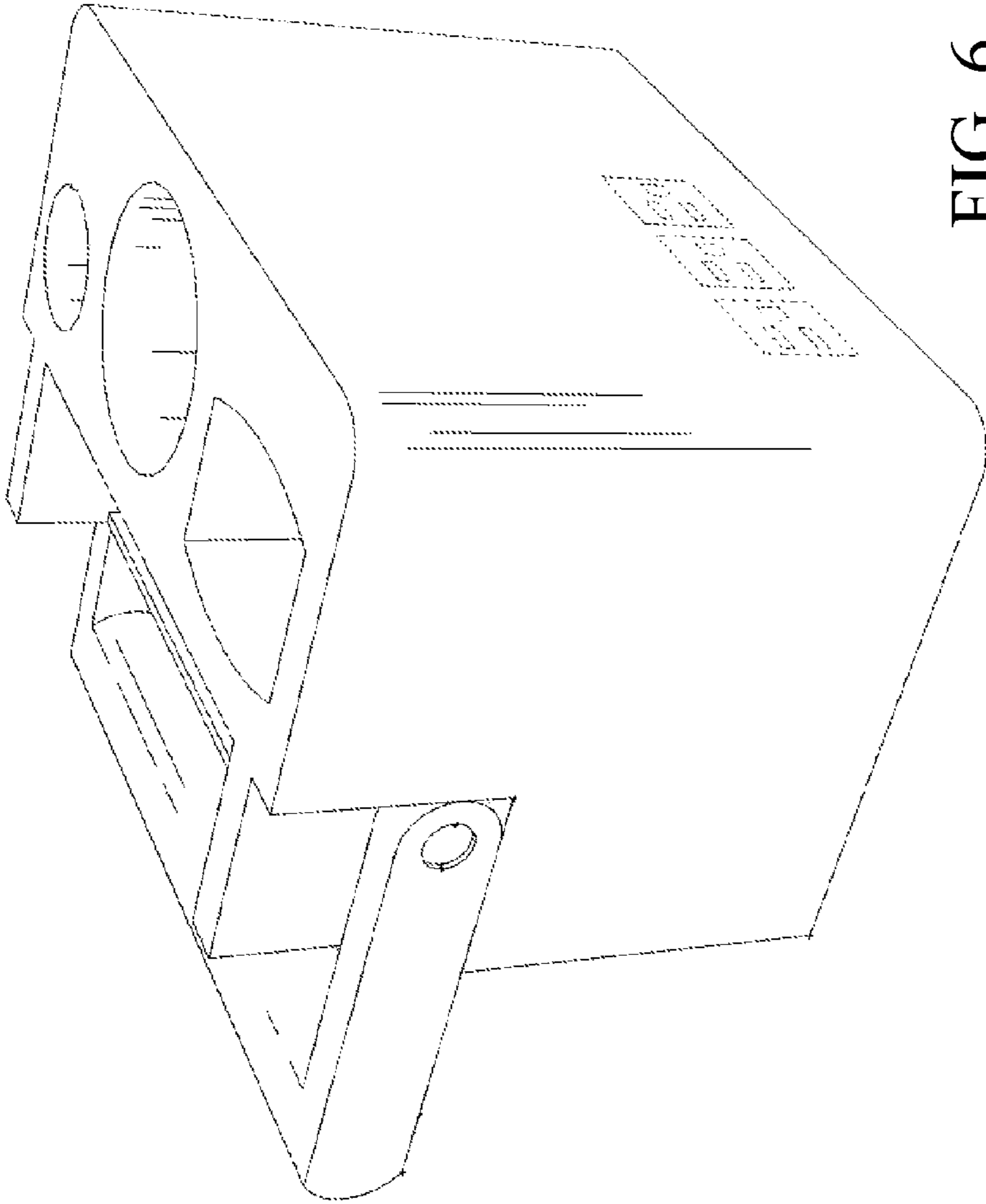


FIG. 6

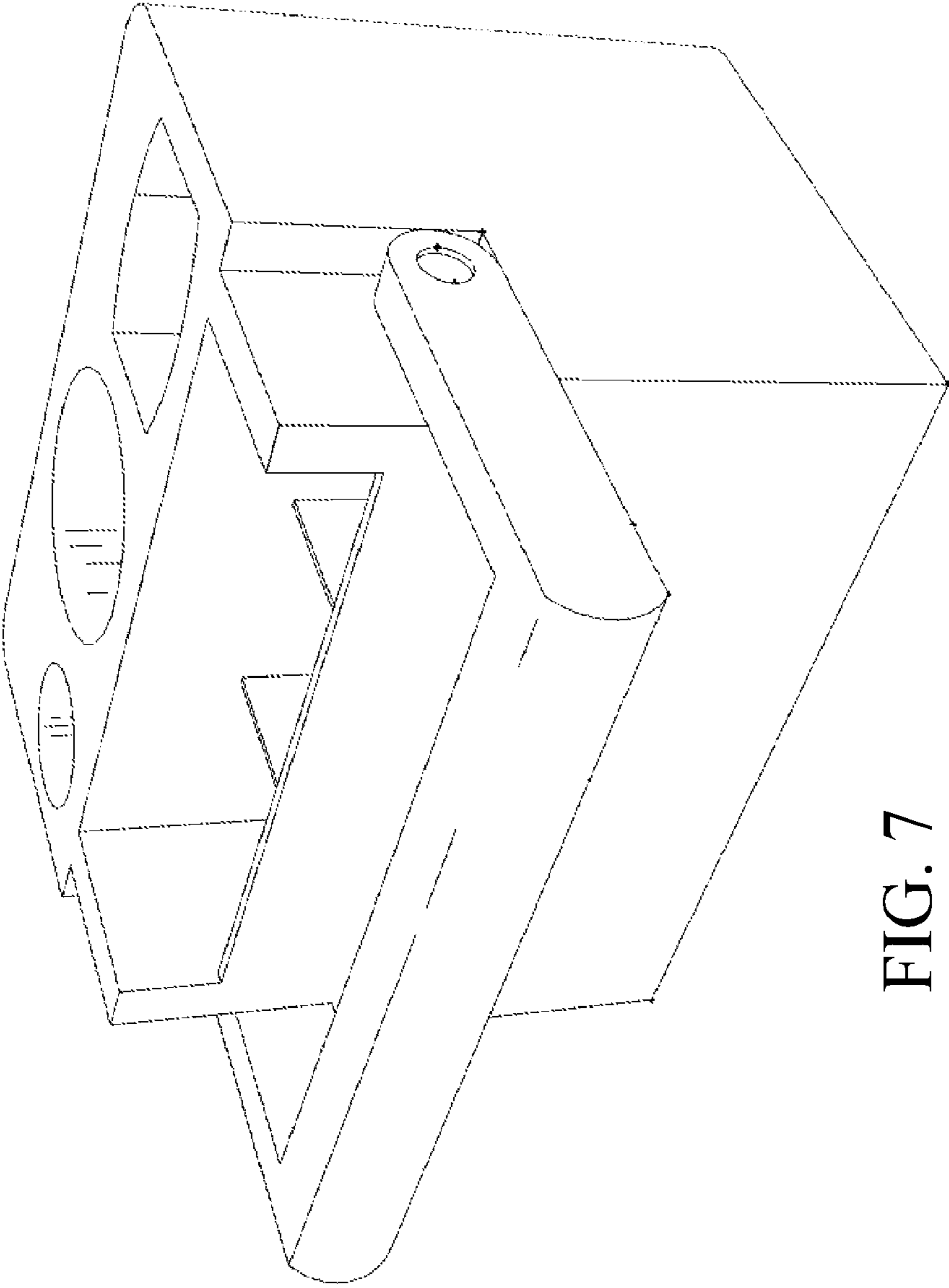


FIG. 7

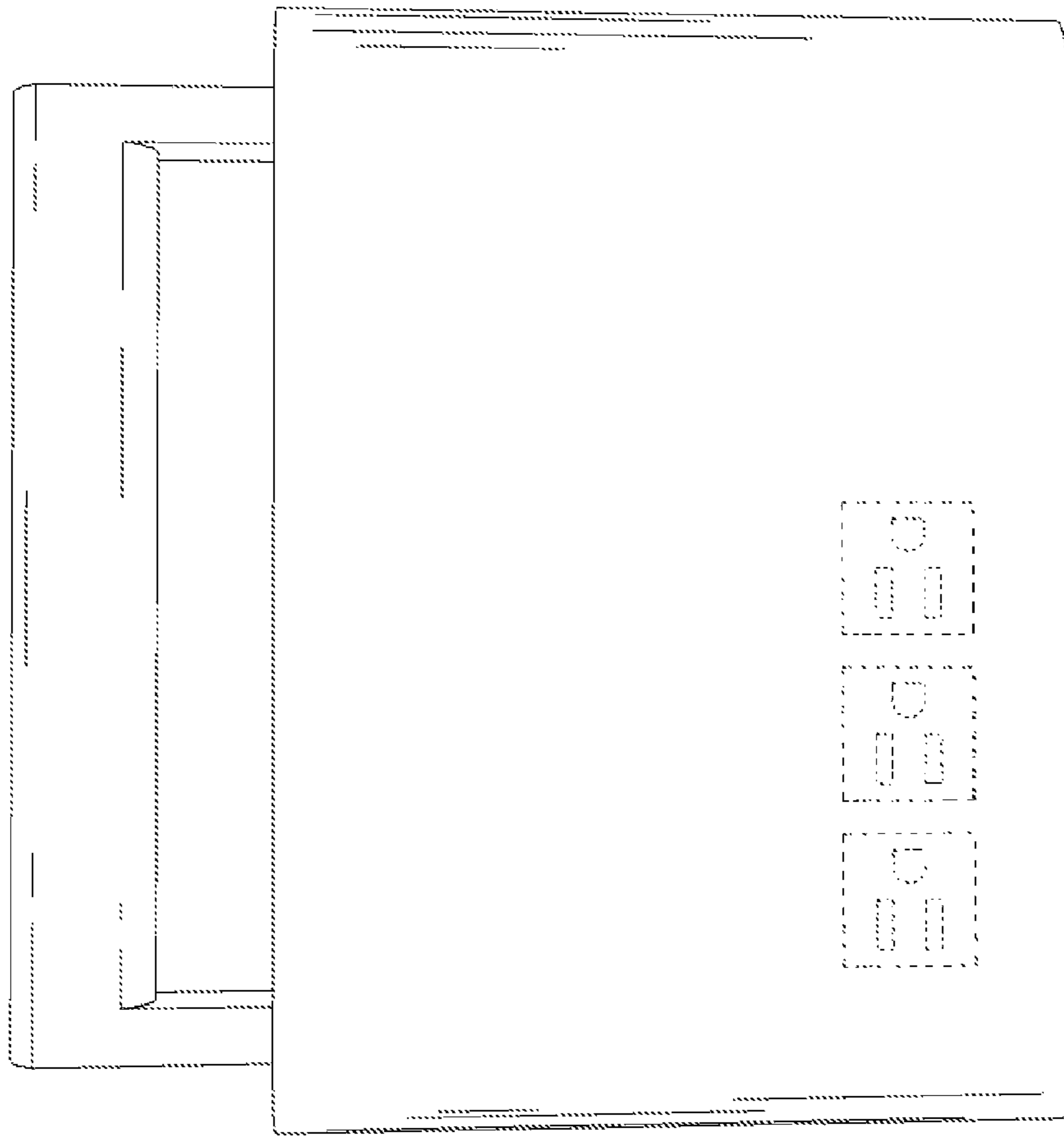


FIG. 8

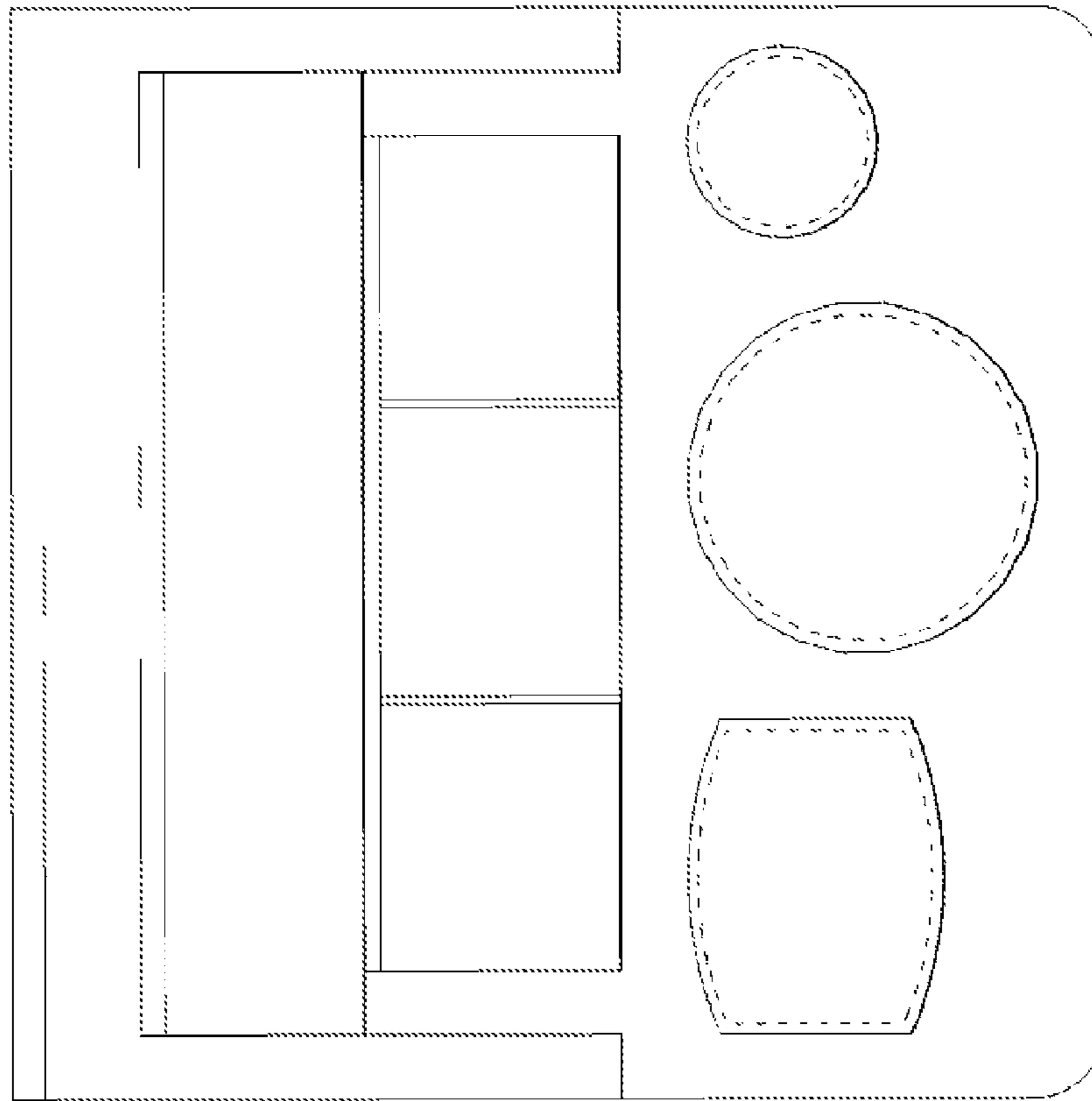


FIG. 9

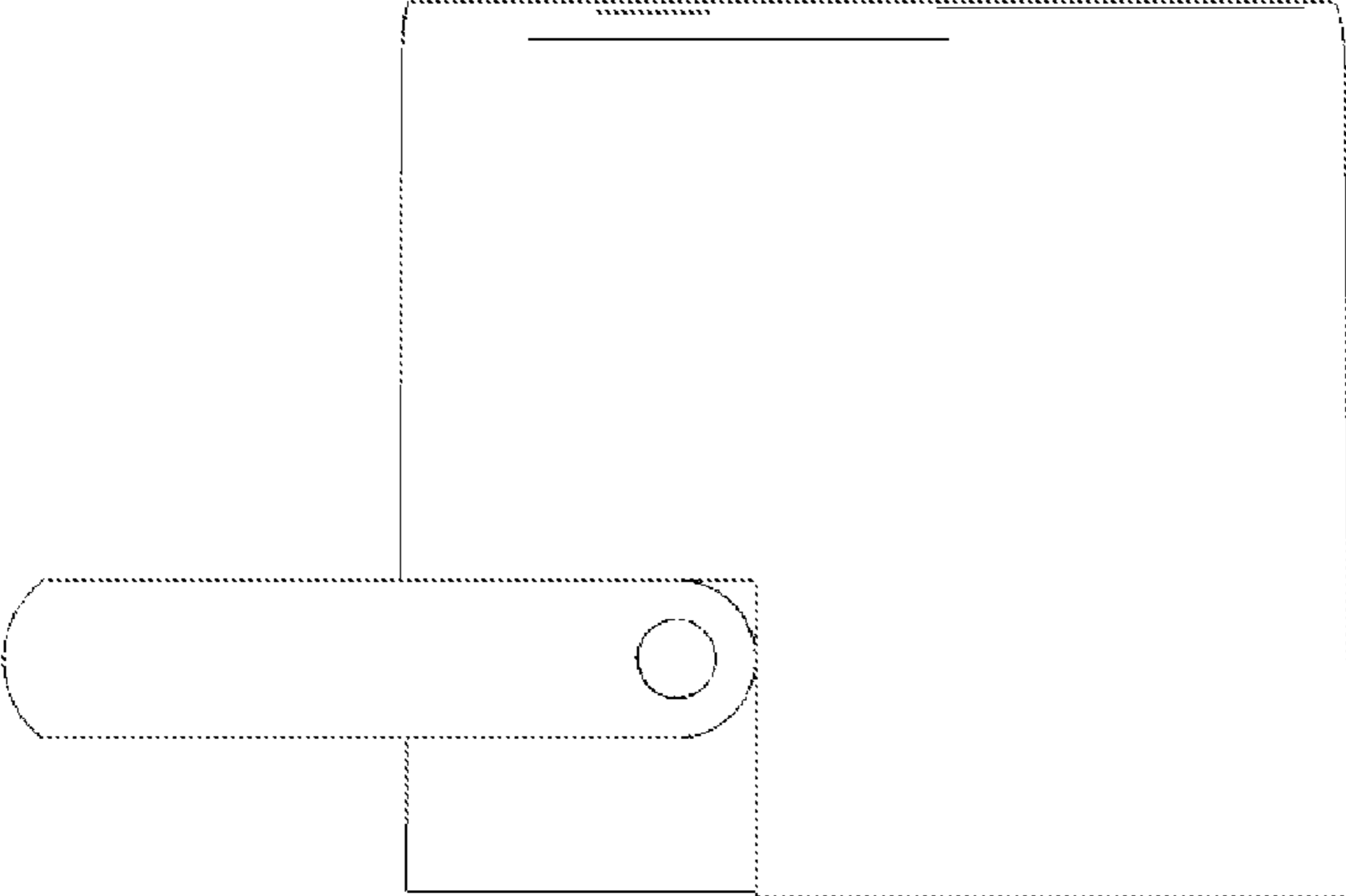


FIG. 10

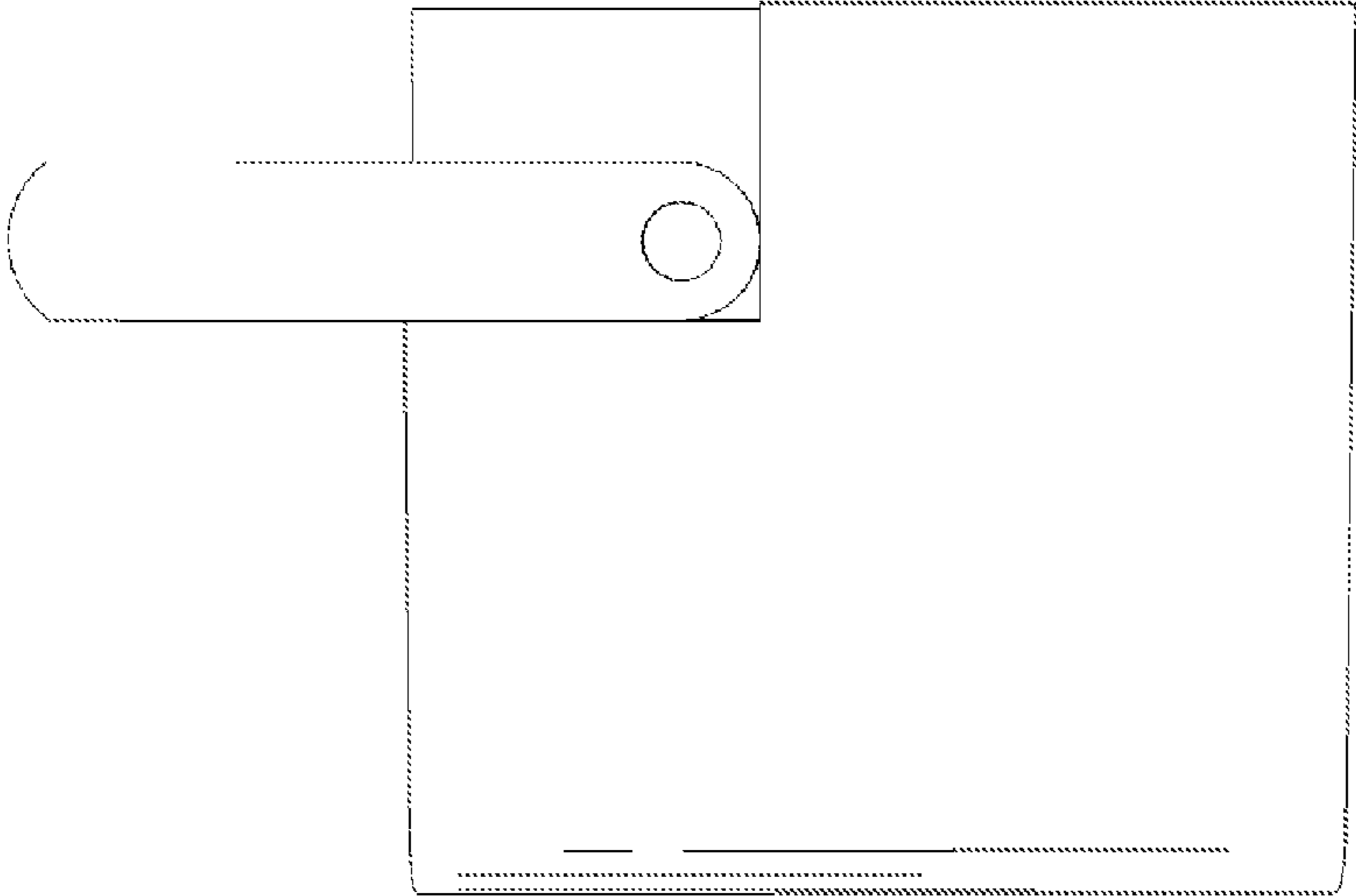


FIG. 11

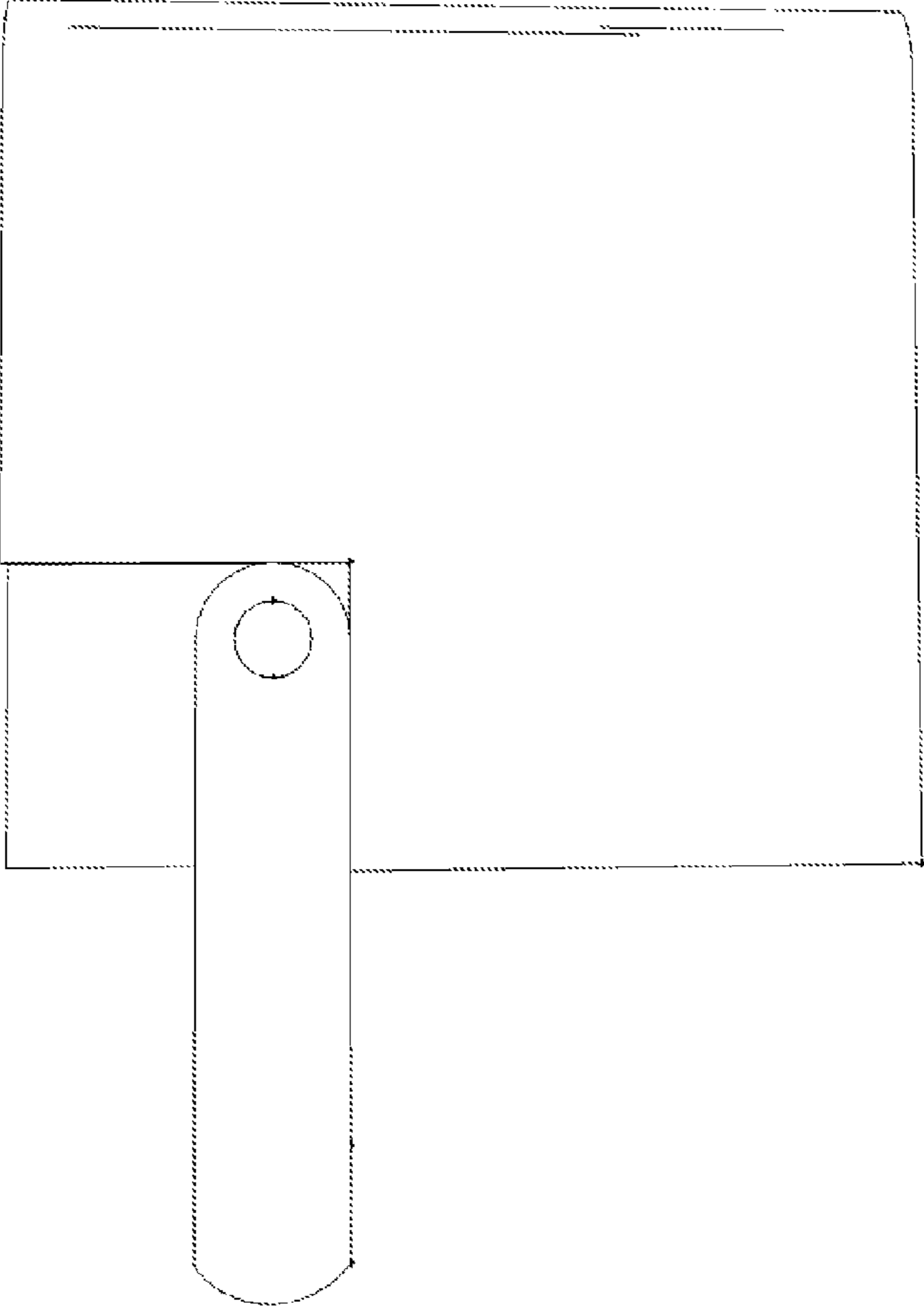


FIG. 12

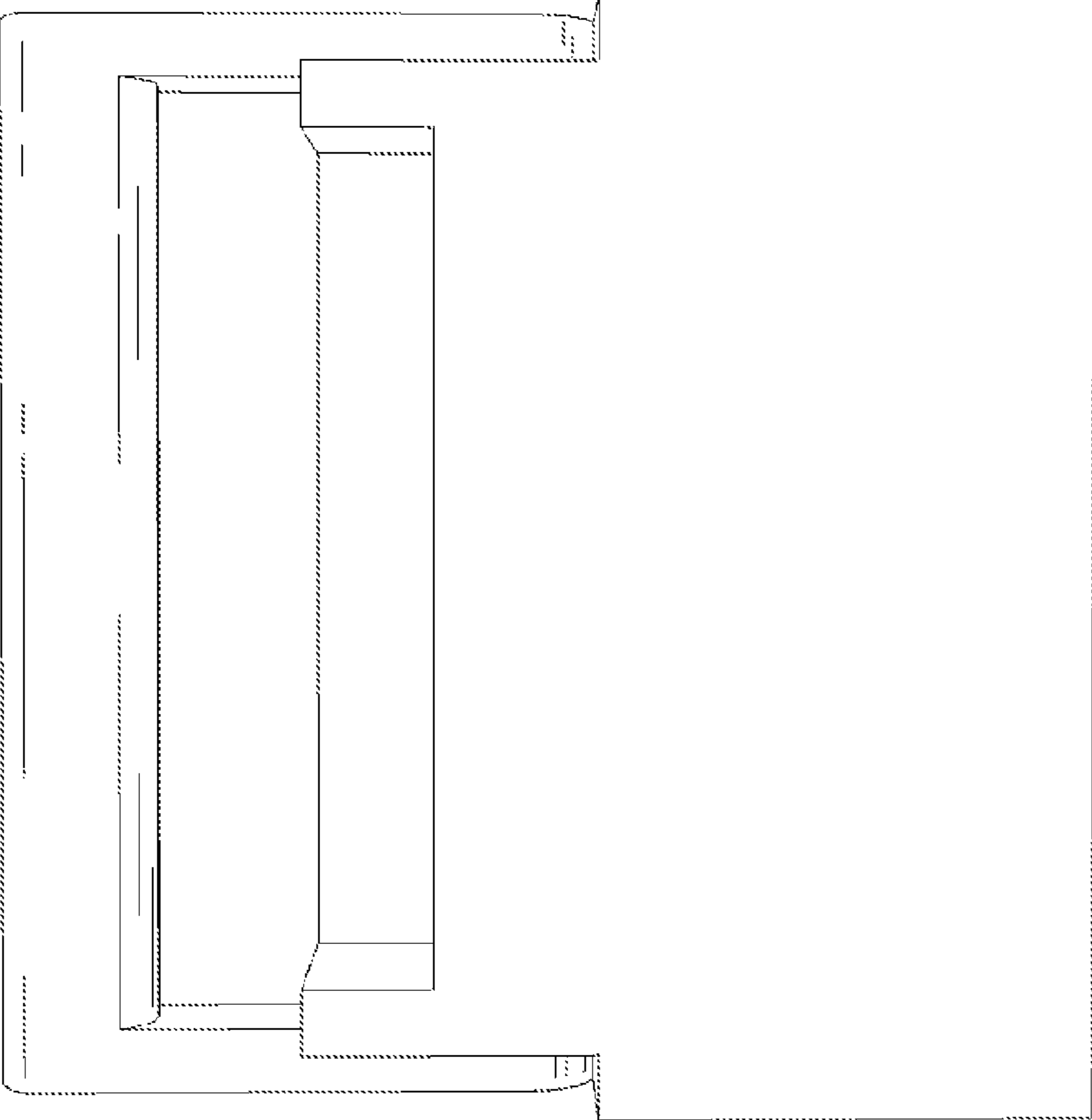


FIG. 13

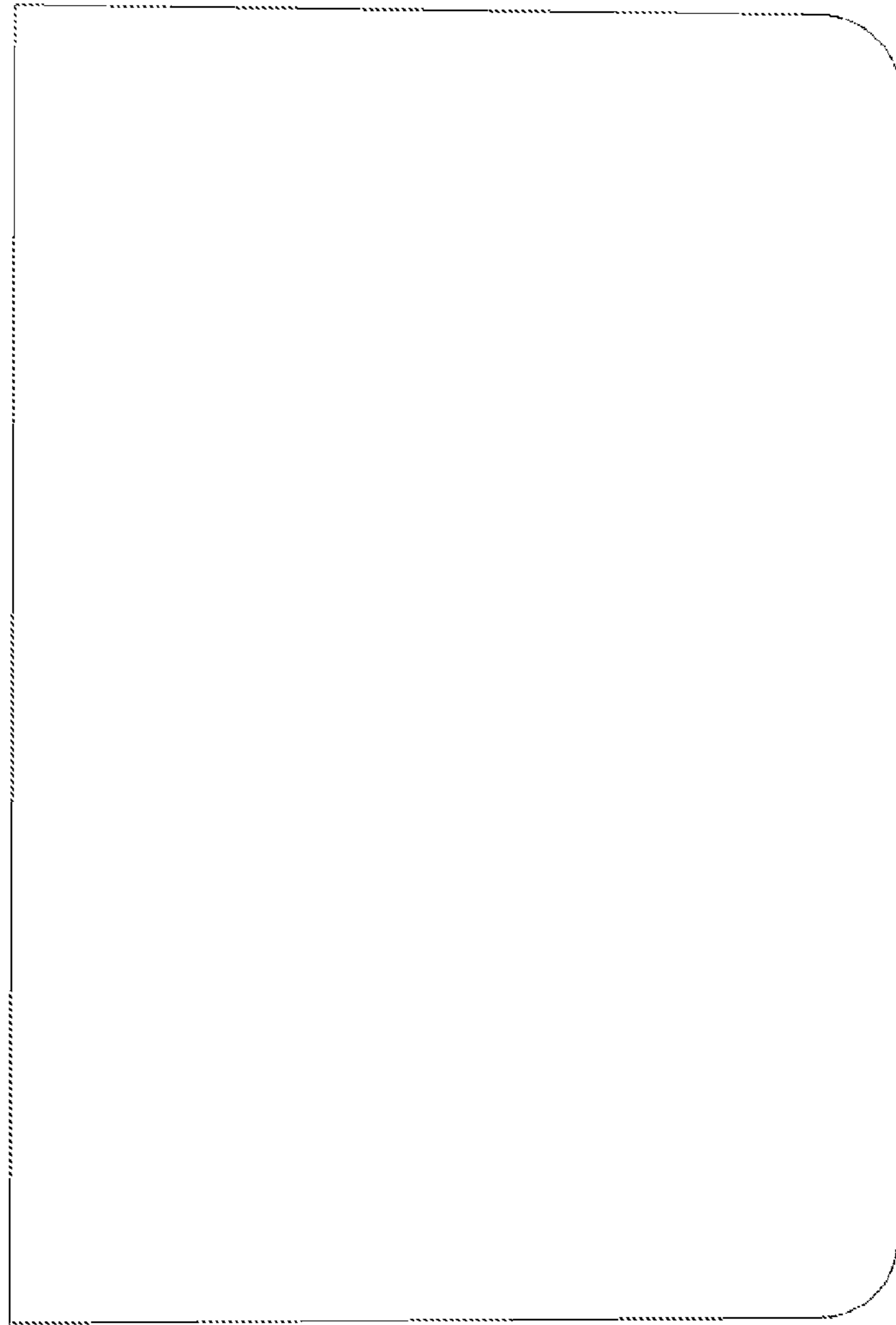


FIG. 14