

US00D662711S

(12) **United States Design Patent**
Raible

(10) **Patent No.:** **US D662,711 S**
(45) **Date of Patent:** **** Jul. 3, 2012**

(54) **TOILETRY KIT**

(76) Inventor: **Margaret M. Raible**, Benicia, CA (US)

(**) Term: **14 Years**

(21) Appl. No.: **29/406,476**

(22) Filed: **Nov. 15, 2011**

(51) **LOC (9) Cl.** **03-01**

(52) **U.S. Cl.** **D3/285; D3/289; D3/293**

(58) **Field of Classification Search** D3/273,
D3/276, 280, 283–293, 301, 300, 294; 190/100–127,
190/900–903; 150/106, 107, 108, 110, 111,
150/112, 118; 206/320, 287.1; 383/4
See application file for complete search history.

(56) **References Cited**

U.S. PATENT DOCUMENTS

D282,315 S *	1/1986	Allen	D3/278
5,628,398 A *	5/1997	Jackson	206/287.1
D499,548 S *	12/2004	Deutschendorf et al.	D3/278
D637,396 S *	5/2011	Berglund	D3/278
D651,404 S *	1/2012	Berglund	D3/278

* cited by examiner

Primary Examiner — Jennifer Rivard

(74) *Attorney, Agent, or Firm* — Charles L. Thoeming

(57) **CLAIM**

The ornamental design for a toiletry kit, as shown and described.

DESCRIPTION

FIG. 1 is a perspective view from above of a toiletry kit showing my new design in an open mode.

FIG. 2 is a left side view of the toiletry kit of FIG. 1 showing my new design.

FIG. 3 is a front view of the toiletry kit of FIG. 1 showing my new design.

FIG. 4 is a top view of the toiletry kit of FIG. 1 showing my new design.

FIG. 5 is a bottom view of the toiletry kit of FIG. 1 showing my new design.

FIG. 6 is a right side view of the toiletry kit of FIG. 1 showing my new design.

FIG. 7 is a rear view of the toiletry kit of FIG. 1 showing my new design.

FIG. 8 is a left side view of a toiletry kit showing my new design in a closed mode.

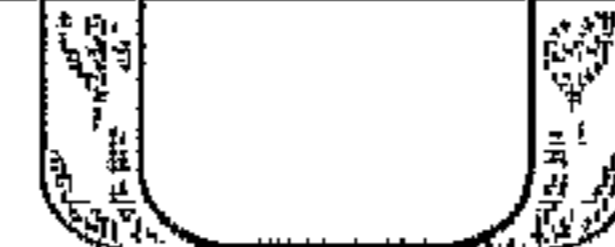
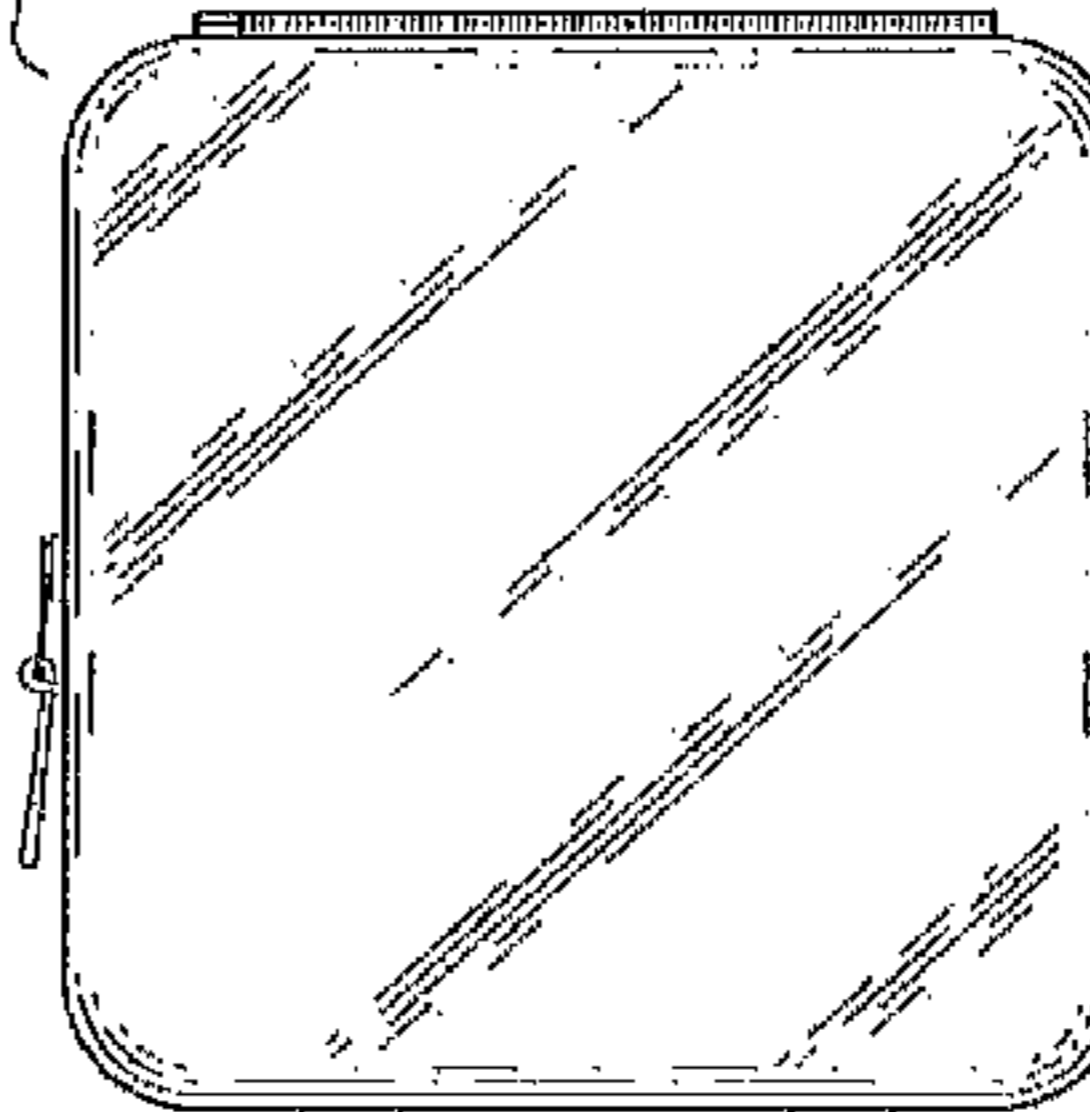
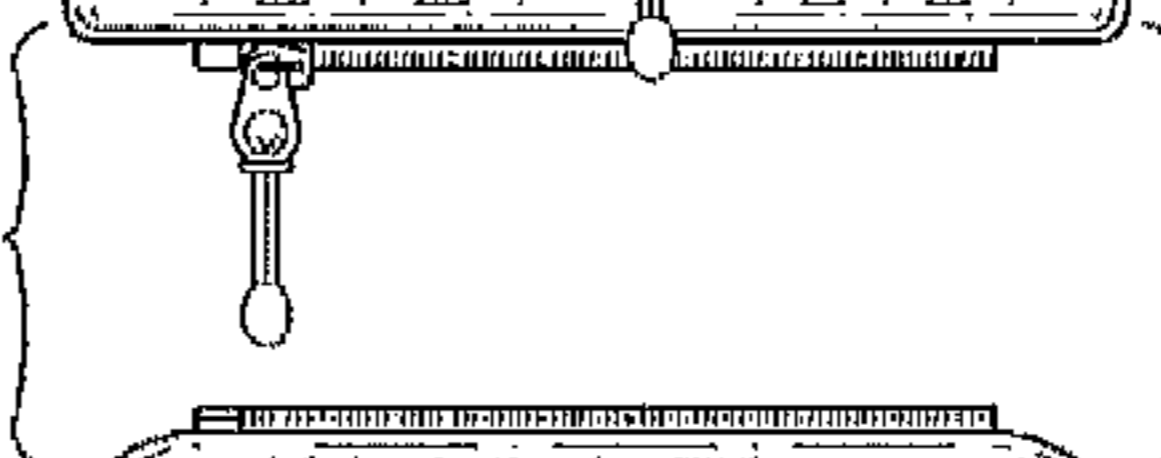
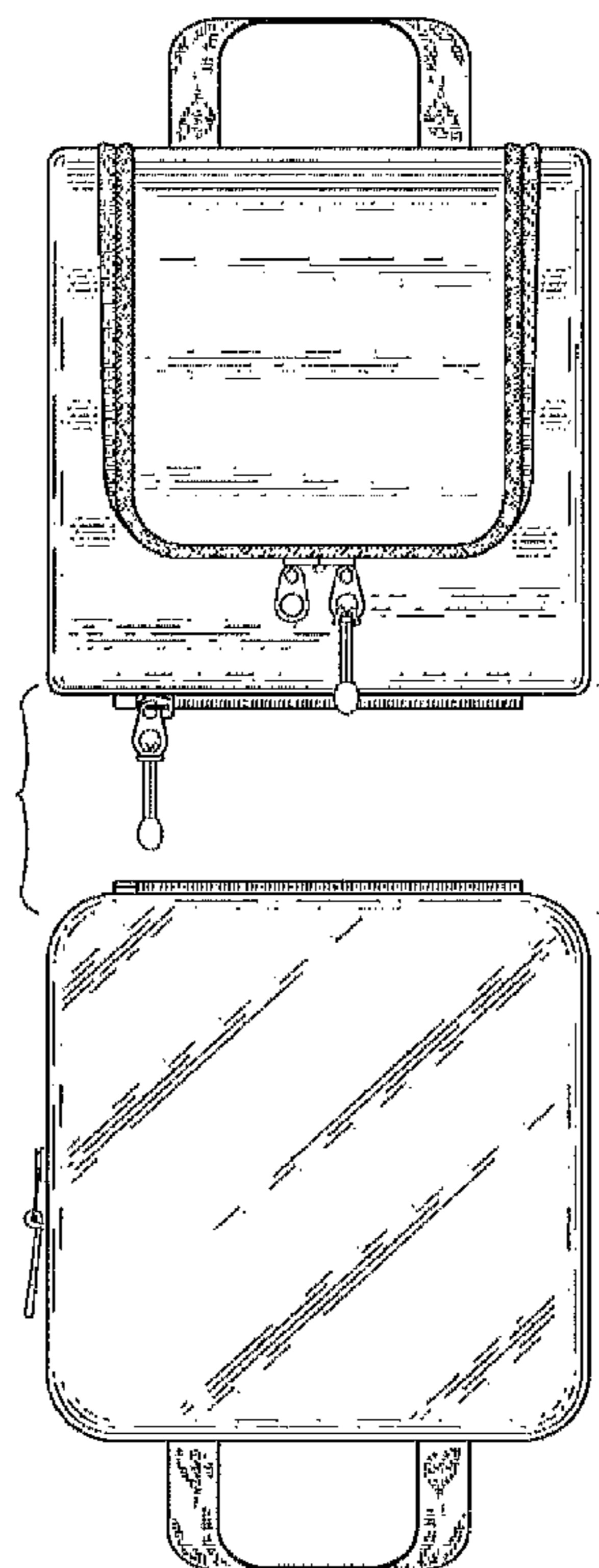
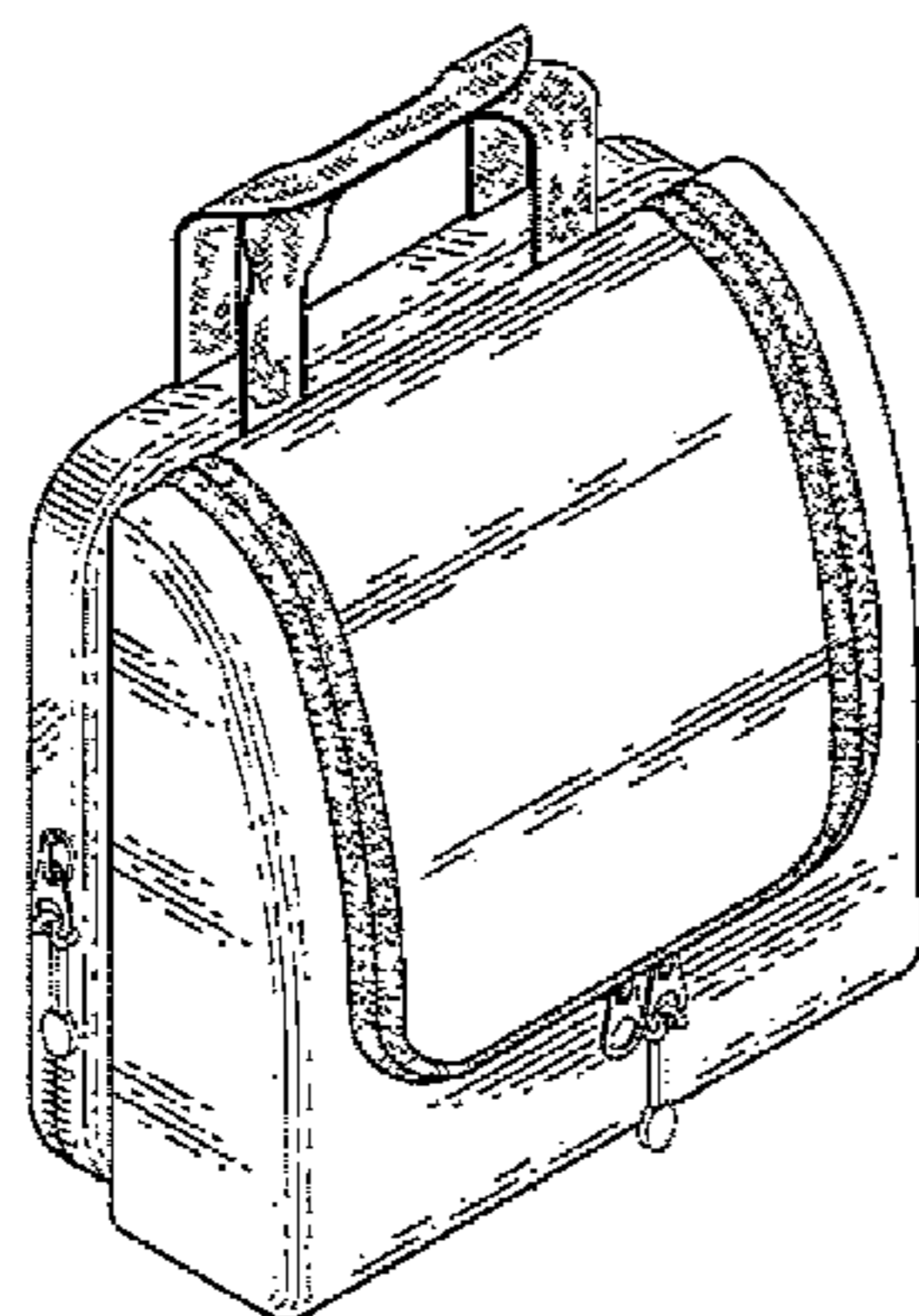
FIG. 9 is a perspective view front view of the toiletry kit of FIG. 8 showing my new design.

FIG. 10 is a front view of the toiletry kit of FIG. 1 showing my new design with the zipper compartment open and a hanging hook extended; and,

FIG. 11 is a front view of the toiletry kit of FIG. 1 showing my new design with the clear plastic pouch removed.

The broken lines that are shown in FIG. 10 illustrate stitching which forms part of the claimed design.

1 Claim, 3 Drawing Sheets



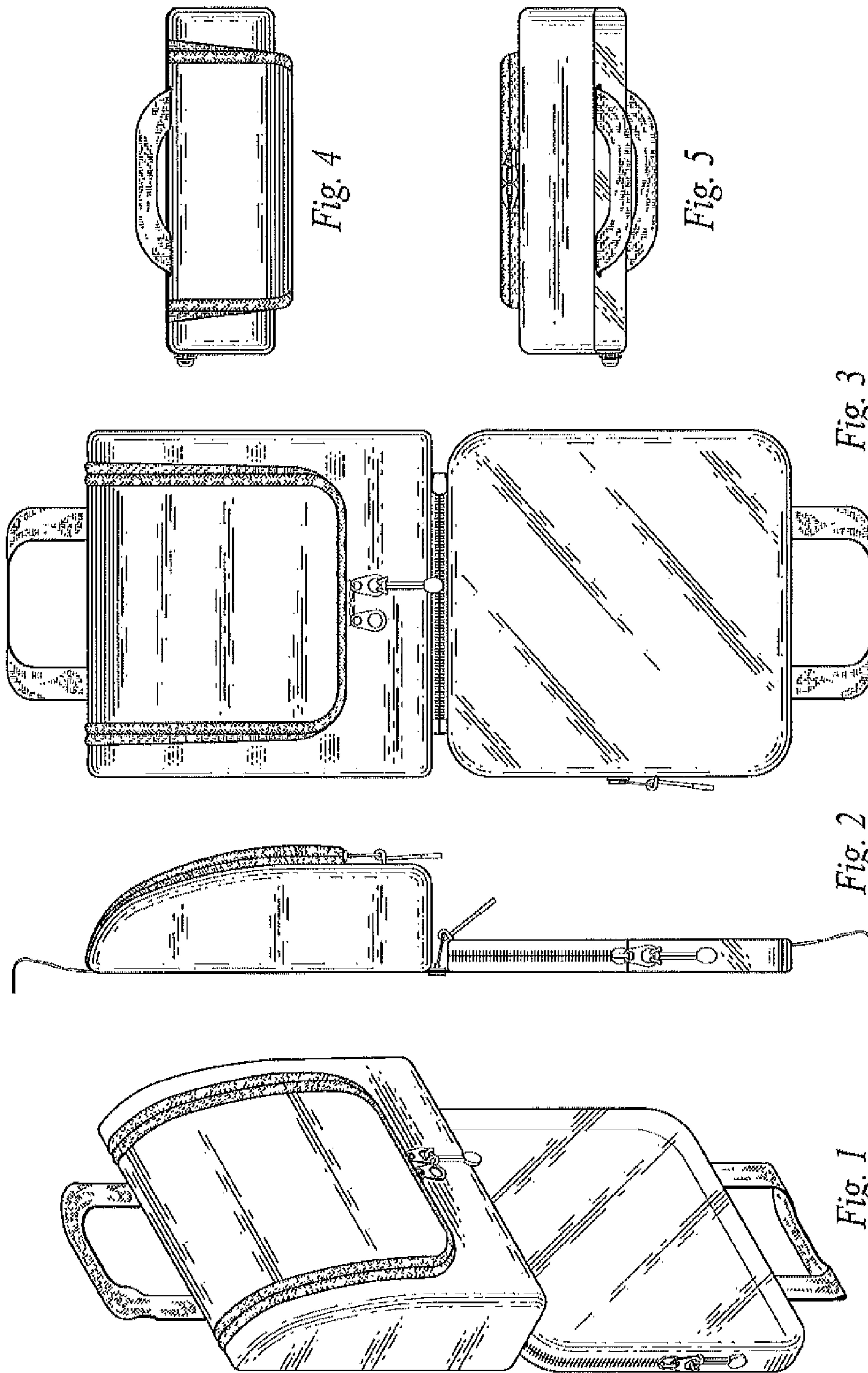


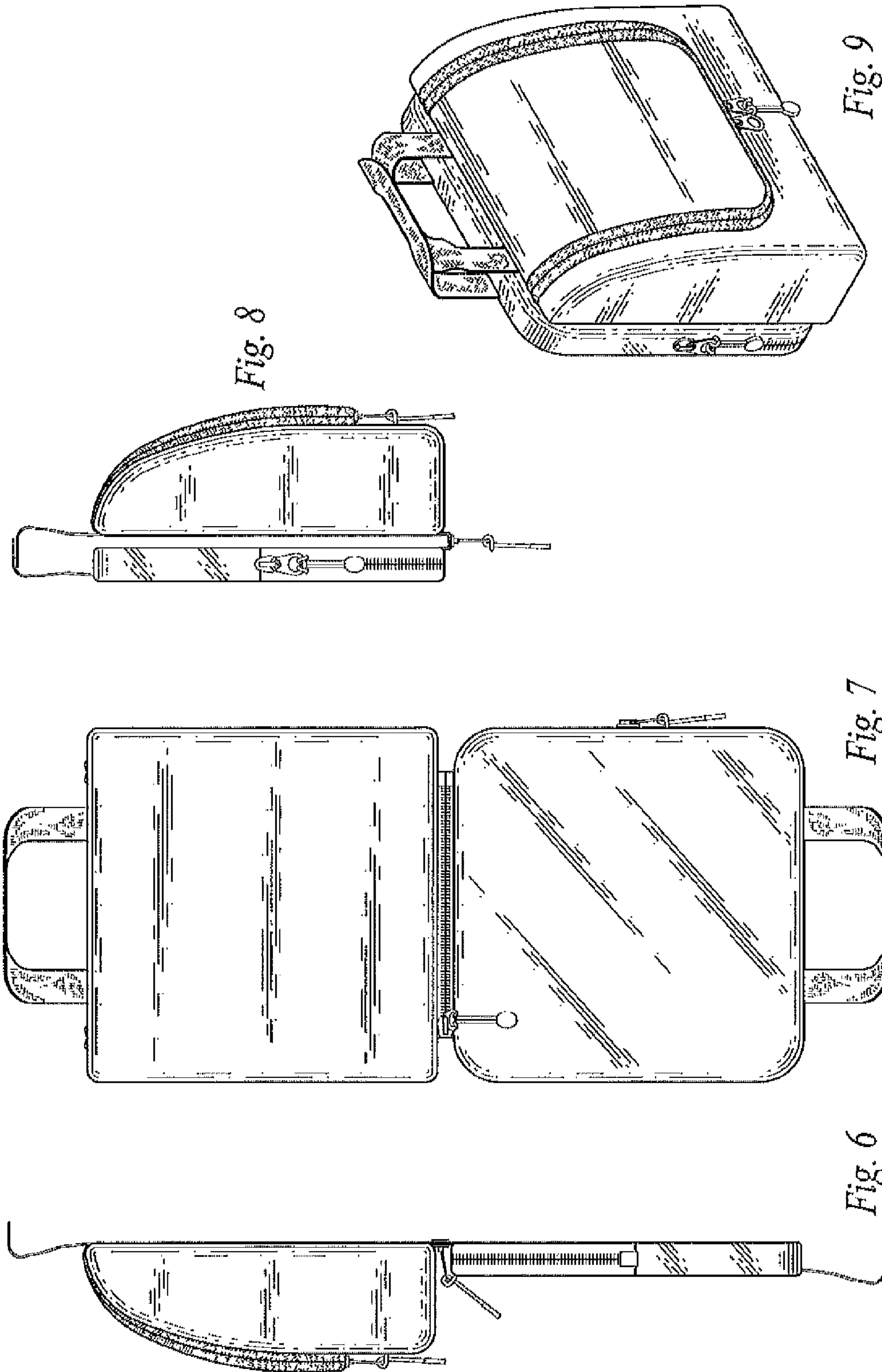
Fig. 4

Fig. 5

Fig. 3

Fig. 2

Fig. 1



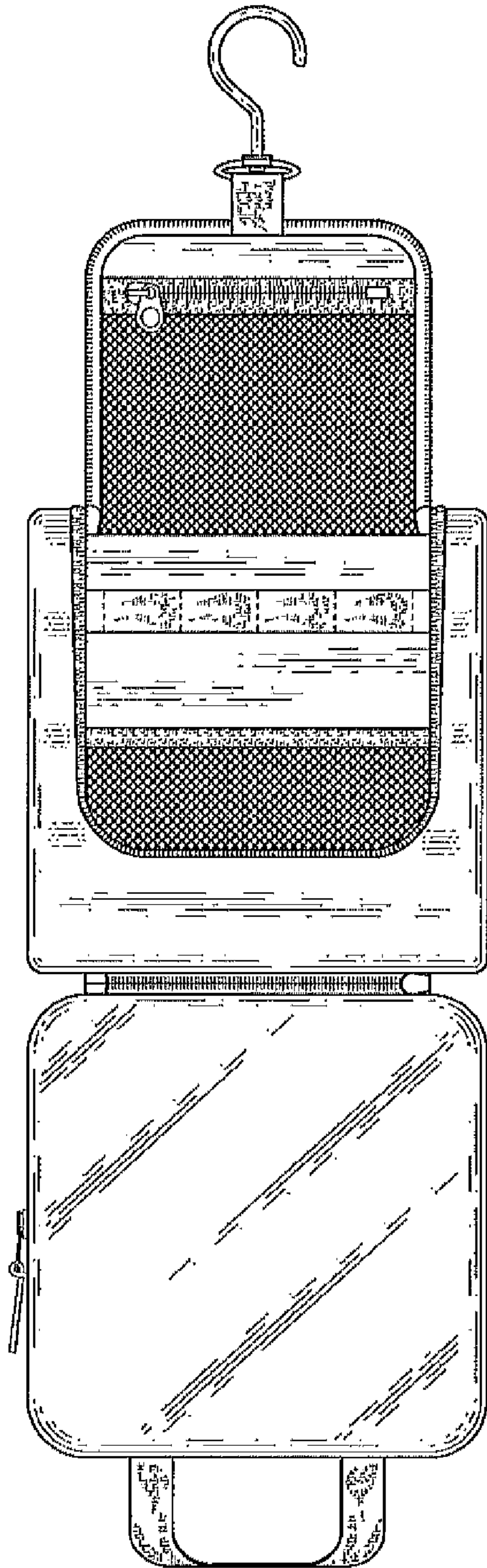


Fig. 10

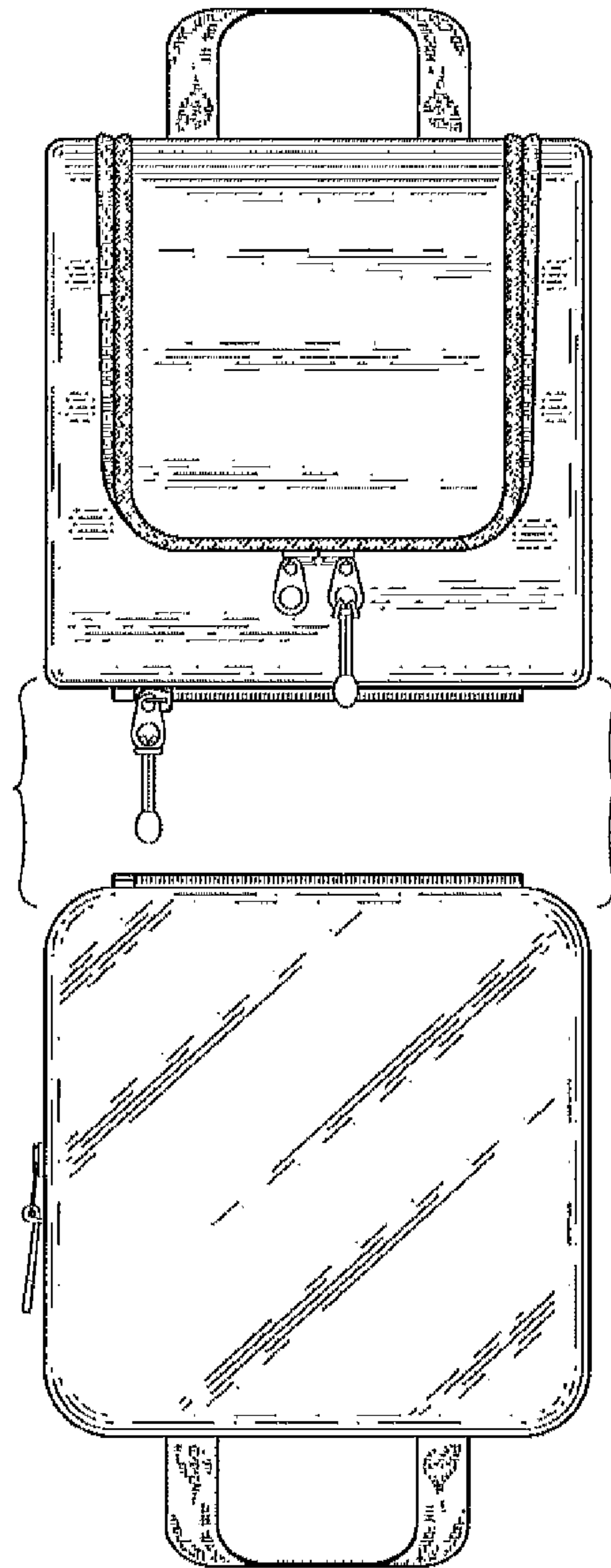


Fig. 11