

US00D662710S

(12) **United States Design Patent**
Fraiman

(10) **Patent No.:** **US D662,710 S**
(45) **Date of Patent:** **** Jul. 3, 2012**

- (54) **BAG**
 - (75) Inventor: **Zvika Fraiman**, Havazelet Hasharon (IL)
 - (73) Assignee: **The Stanley Works Israel Ltd.**, Rosh Ha' Ayin (IL)
 - (**) Term: **14 Years**
 - (21) Appl. No.: **29/390,734**
 - (22) Filed: **Apr. 28, 2011**
 - (51) **LOC (9) Cl.** **03-01**
 - (52) **U.S. Cl.** **D3/283; D3/290**
 - (58) **Field of Classification Search** D3/254, D3/260, 273, 276, 280, 283-291, 302, 301, D3/303, 905; 220/523, 524, 527; 206/349, 206/372-379; 190/109, 111, 115, 107, 126, 190/903; D7/605
- See application file for complete search history.

- D639,054 S * 6/2011 Fraiman et al. D3/276
- D639,055 S * 6/2011 Fraiman et al. D3/276
- D647,301 S * 10/2011 Sosnovsky D3/283
- D648,533 S * 11/2011 Sosnovsky D3/283
- 2010/0133130 A1* 6/2010 Williams et al. 206/372

* cited by examiner

Primary Examiner — Jennifer Rivard

(74) *Attorney, Agent, or Firm* — Pillsbury Winthrop Shaw Pittman LLP

(57) **CLAIM**

The ornamental design for a bag, as shown and described.

DESCRIPTION

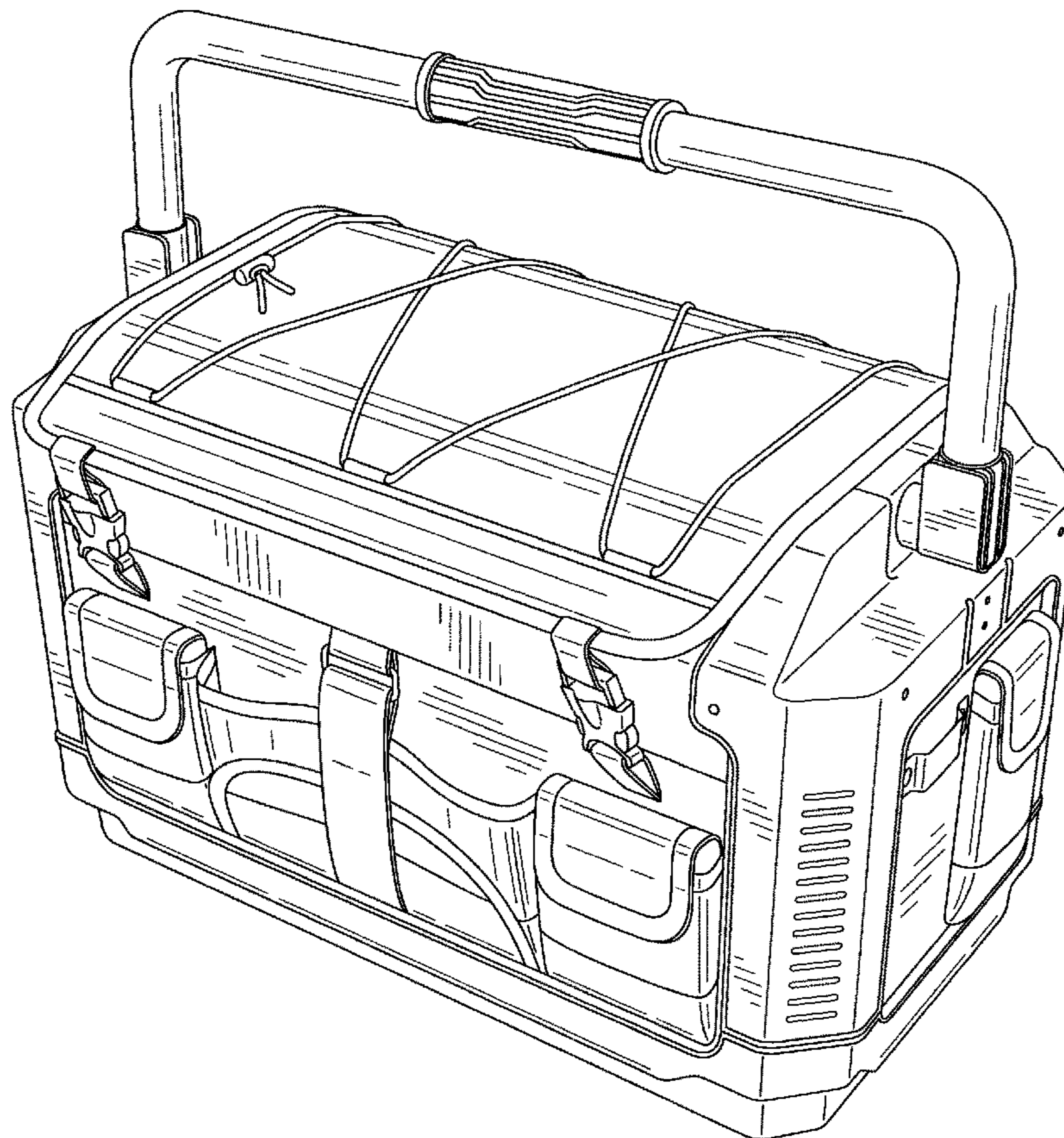
FIG. 1 is a perspective view of an embodiment of the bag according to my design;
 FIG. 2 is a front view thereof;
 FIG. 3 is a rear view thereof;
 FIG. 4 is a left side view thereof;
 FIG. 5 is a right side view thereof;
 FIG. 6 is a top plan view thereof; and,
 FIG. 7 is a bottom plan view thereof.
 Where included, broken lines showing environment or structure are for illustrative purposes only and form no part of the claimed design.

(56) **References Cited**

U.S. PATENT DOCUMENTS

- D434,954 S * 12/2000 Daw et al. D3/283
- D465,134 S * 11/2002 Joss D3/287
- D620,708 S * 8/2010 Sanz D3/276

1 Claim, 6 Drawing Sheets



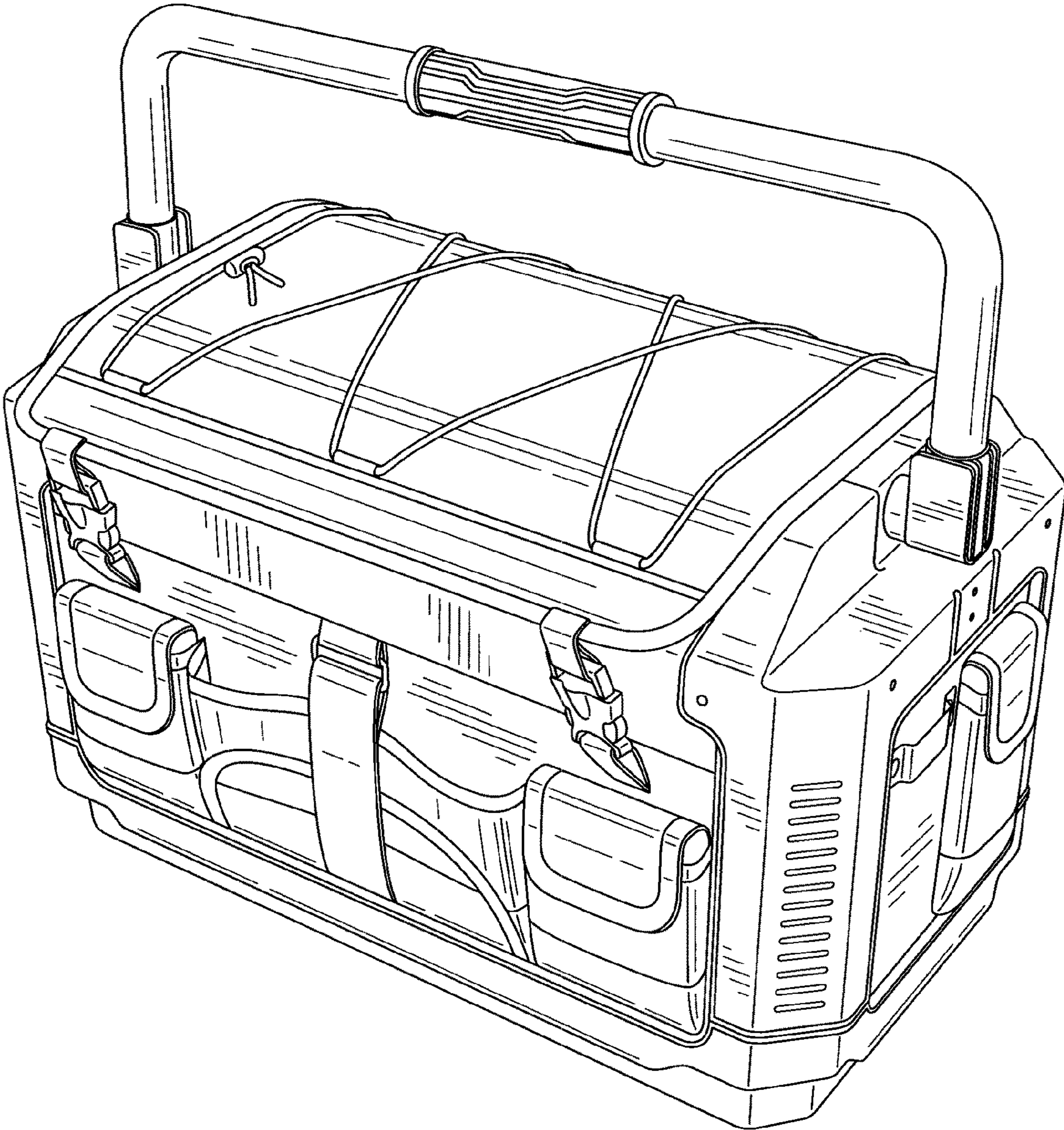


FIG. 1

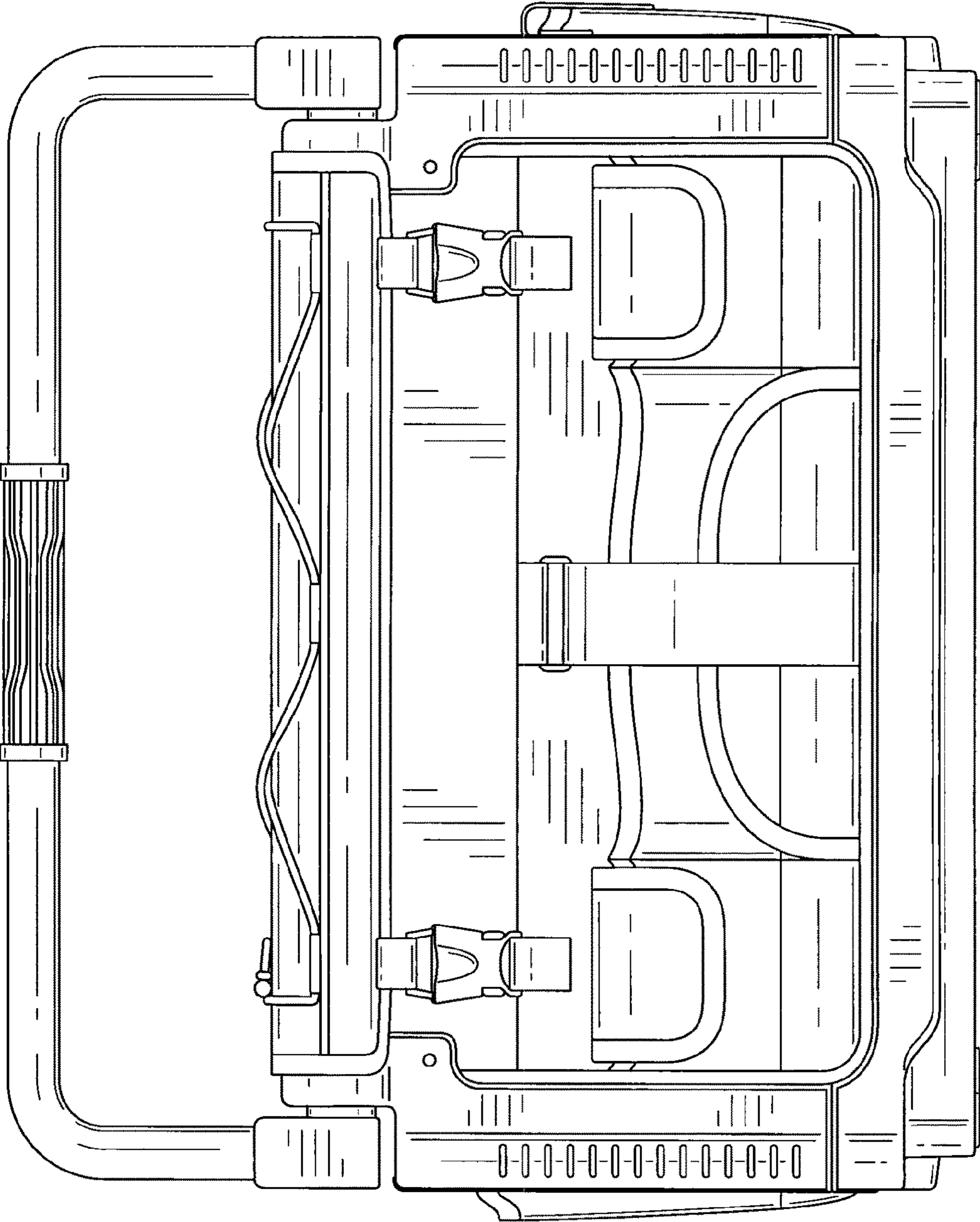


FIG. 2

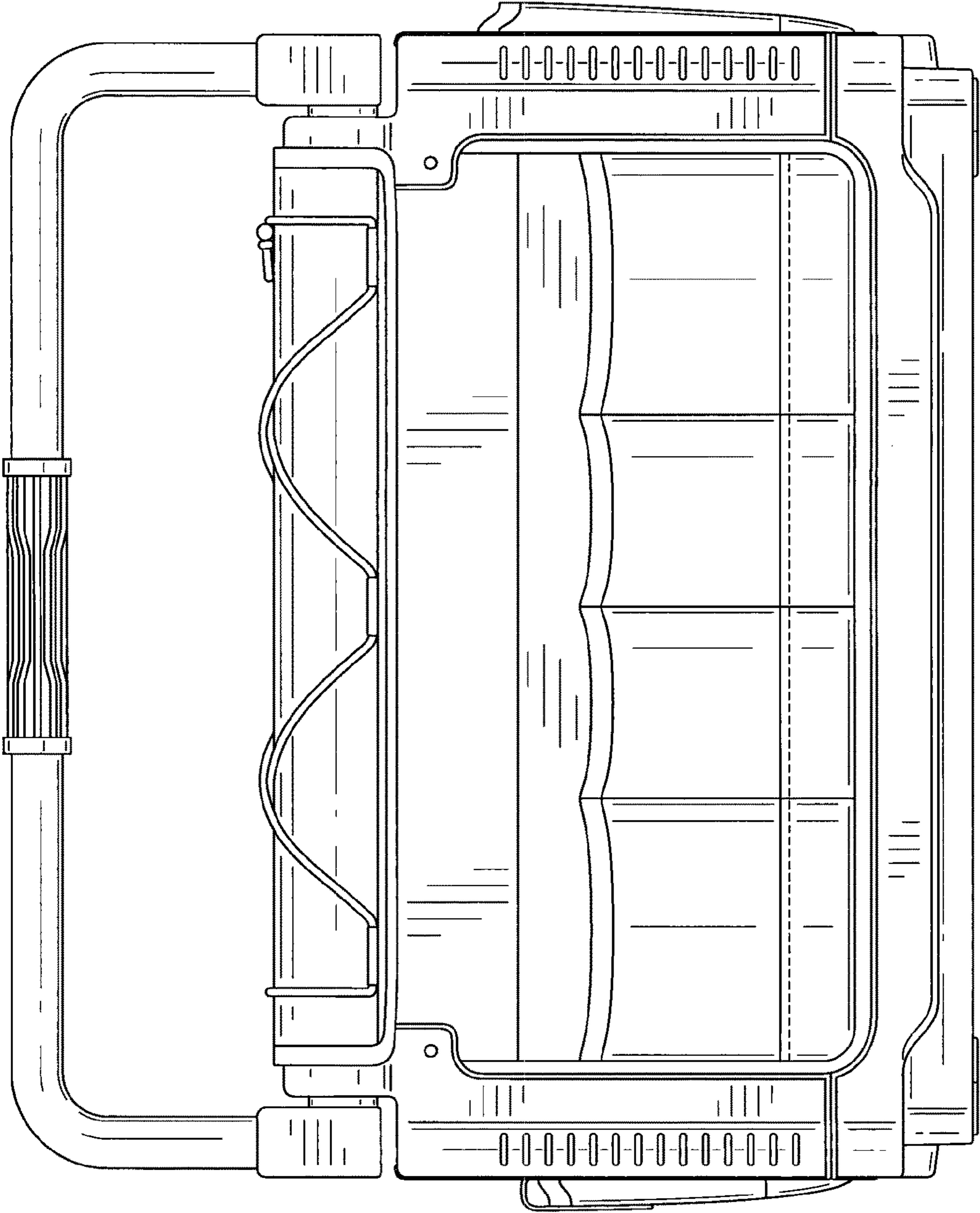


FIG. 3

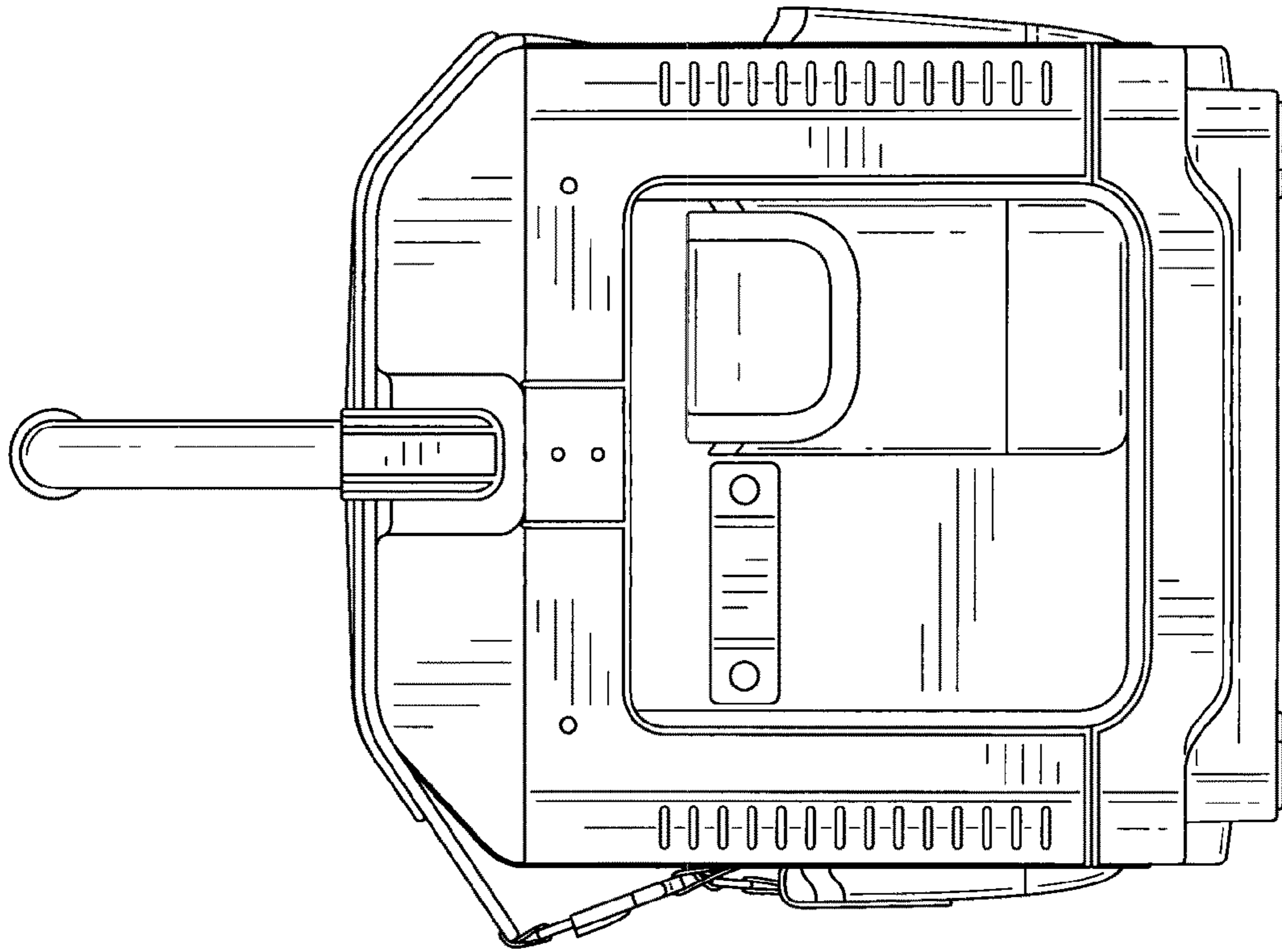


FIG. 5

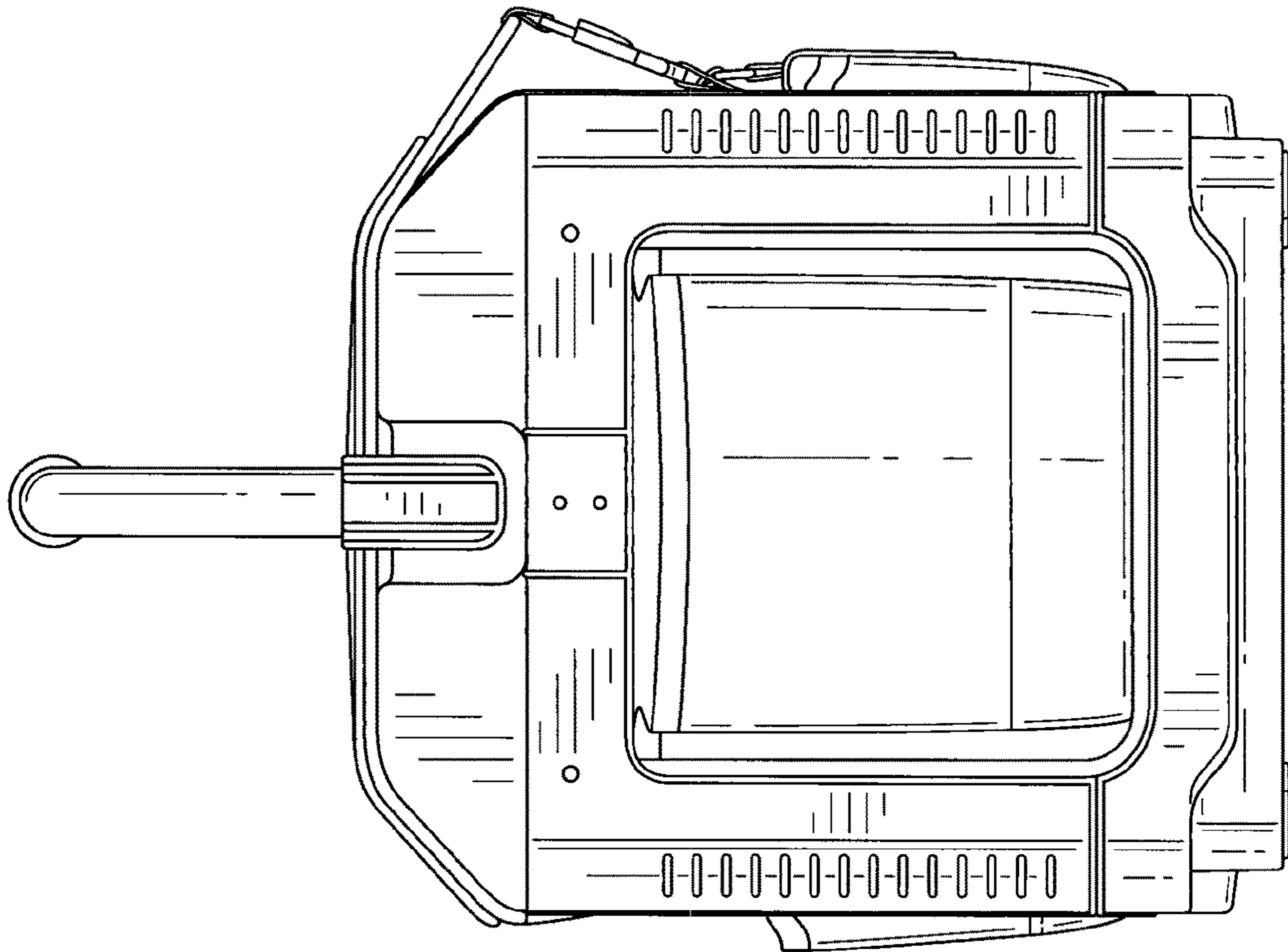


FIG. 4

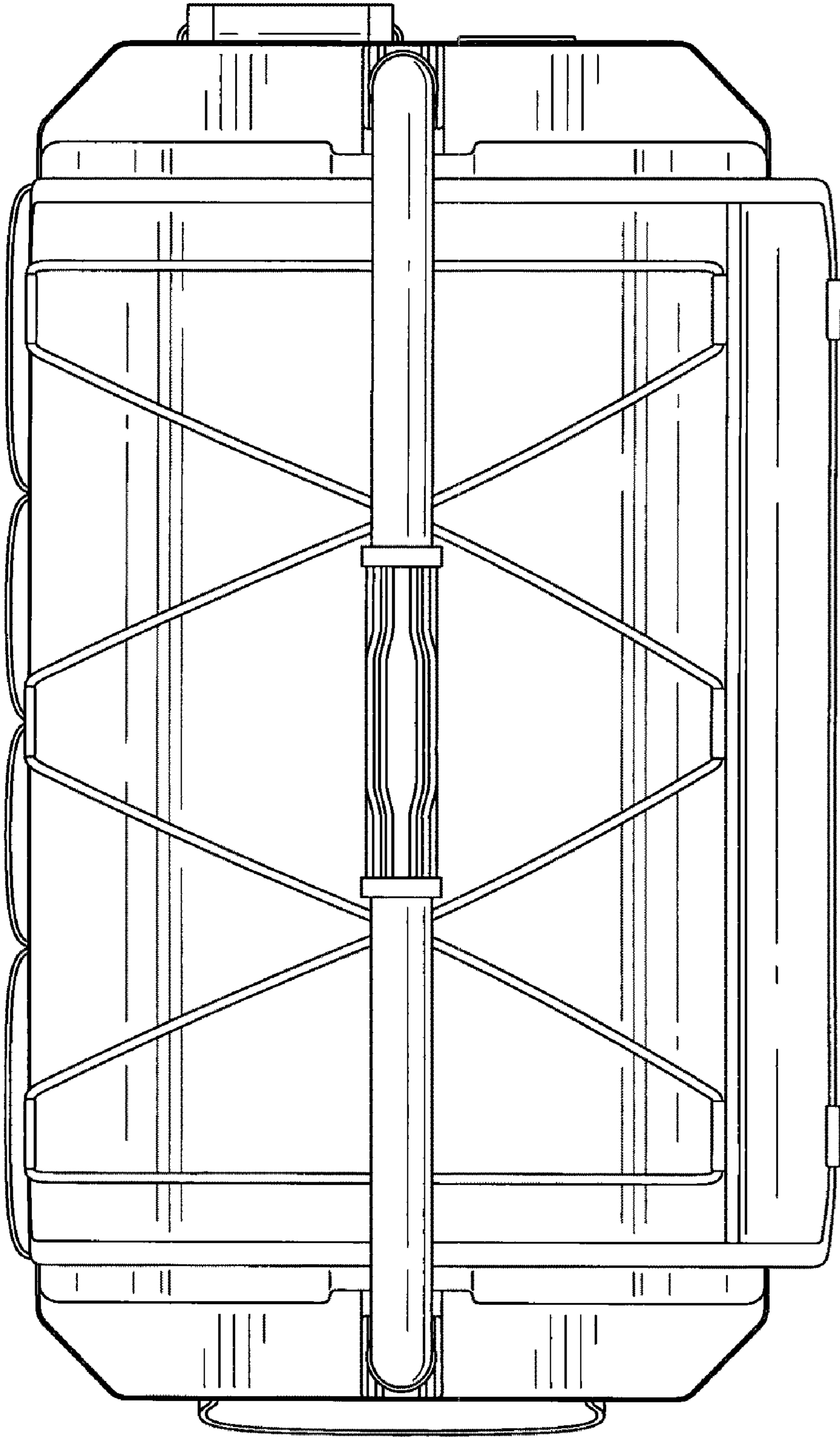


FIG. 6

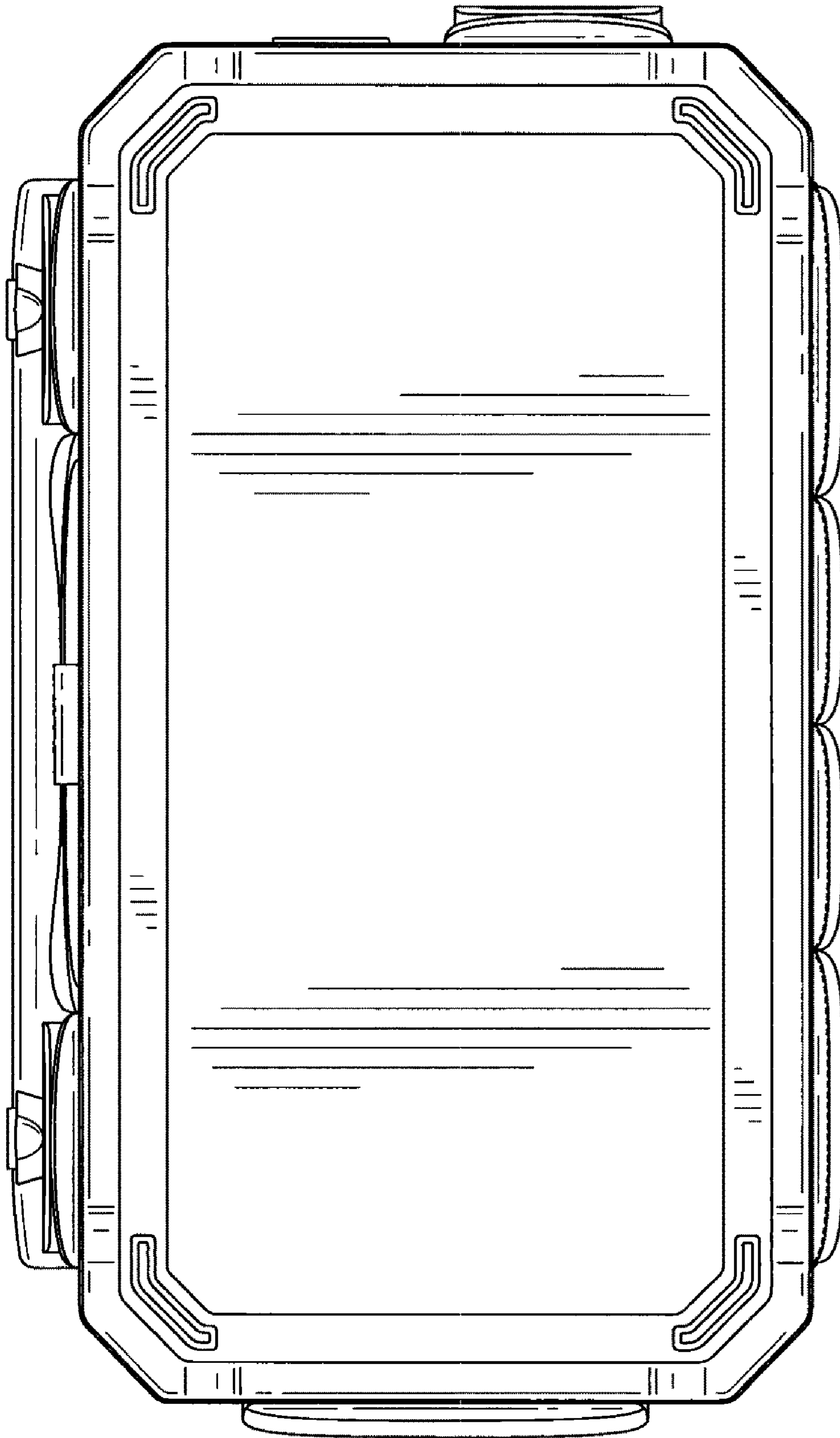


FIG. 7