



US00D662705S

(12) **United States Design Patent**
Wu

(10) **Patent No.:** **US D662,705 S**
(45) **Date of Patent:** **** Jul. 3, 2012**

(54) **PEN BOX**

(75) Inventor: **Hsing-Hung Wu**, Ningbo (CN)

(73) Assignee: **Ningbo Qingtai Gongyipin**
Youxiangongsi, Ningbo, Zhejiang (CN)

(**) Term: **14 Years**

(21) Appl. No.: **29/377,531**

(22) Filed: **Oct. 22, 2010**

(30) **Foreign Application Priority Data**

Jul. 16, 2010 (CN) 2010 3 0240621

(51) **LOC (9) Cl.** **03-01**

(52) **U.S. Cl.** **D3/206; D19/85**

(58) **Field of Classification Search** D3/204,
D3/218, 226, 230, 232, 243, 245, 246, 247,
D3/249, 272, 273, 275, 276, 283–285, 289,
D3/290, 299, 303, 315, 294–296, 903; 206/6.1,
206/235, 457, 349, 373; D19/77, 81, 85
See application file for complete search history.

(56) **References Cited**

U.S. PATENT DOCUMENTS

D290,759 S *	7/1987	Trabattoni	D28/83
D291,947 S *	9/1987	Nakata	D3/206
D309,983 S *	8/1990	Nakata	D3/206
D316,274 S *	4/1991	Suzuki	D19/85
D324,881 S *	3/1992	Hasegawa	D19/85
D411,767 S *	7/1999	Keller	D3/273
D423,055 S *	4/2000	Demsien et al.	D19/81
D487,188 S *	3/2004	Fonfeder	D3/206
D533,348 S *	12/2006	Andre et al.	D3/303
D557,490 S *	12/2007	Fedon	D3/206

* cited by examiner

Primary Examiner — Ian Simmons
Assistant Examiner — Charles Hanson

(57) **CLAIM**

The ornamental design for a pen box, as shown and described.

DESCRIPTION

FIG. 1 is a top plan view of a pen box showing my new design;
FIG. 2 is a right side view thereof;
FIG. 3 is a front view thereof, the rear view being the same;
FIG. 4 is a left side view thereof;
FIG. 5 is a bottom plan view thereof; and,
FIG. 6 is a right front perspective view thereof.
The rear view of a pen box is the same as the front view thereof.

1 Claim, 6 Drawing Sheets

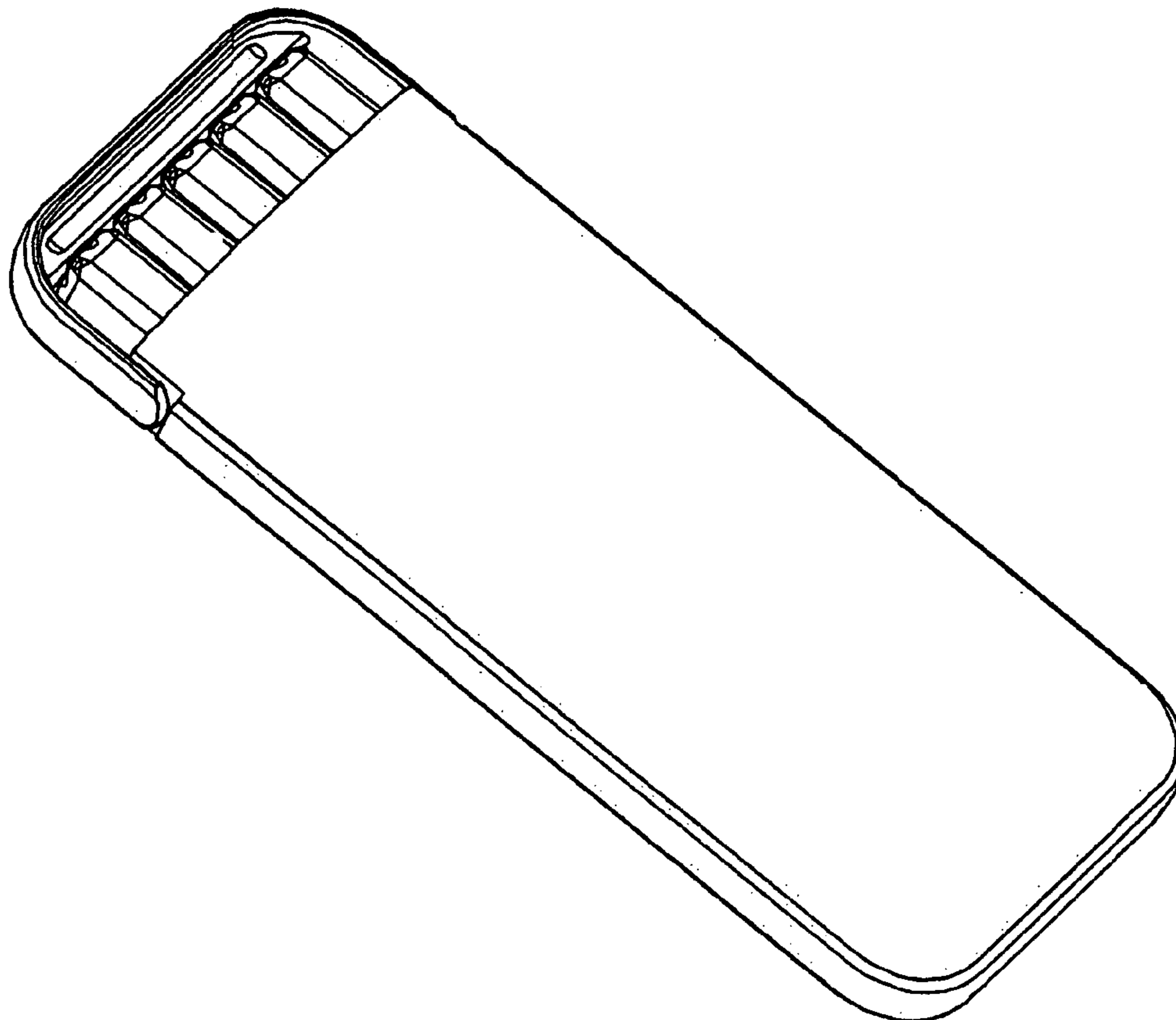


Fig. 1

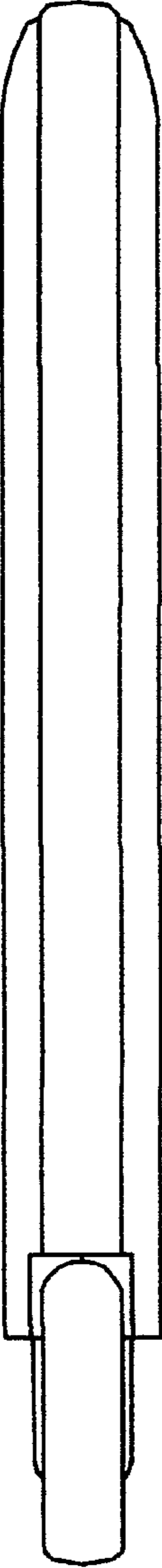


Fig. 2



Fig. 3

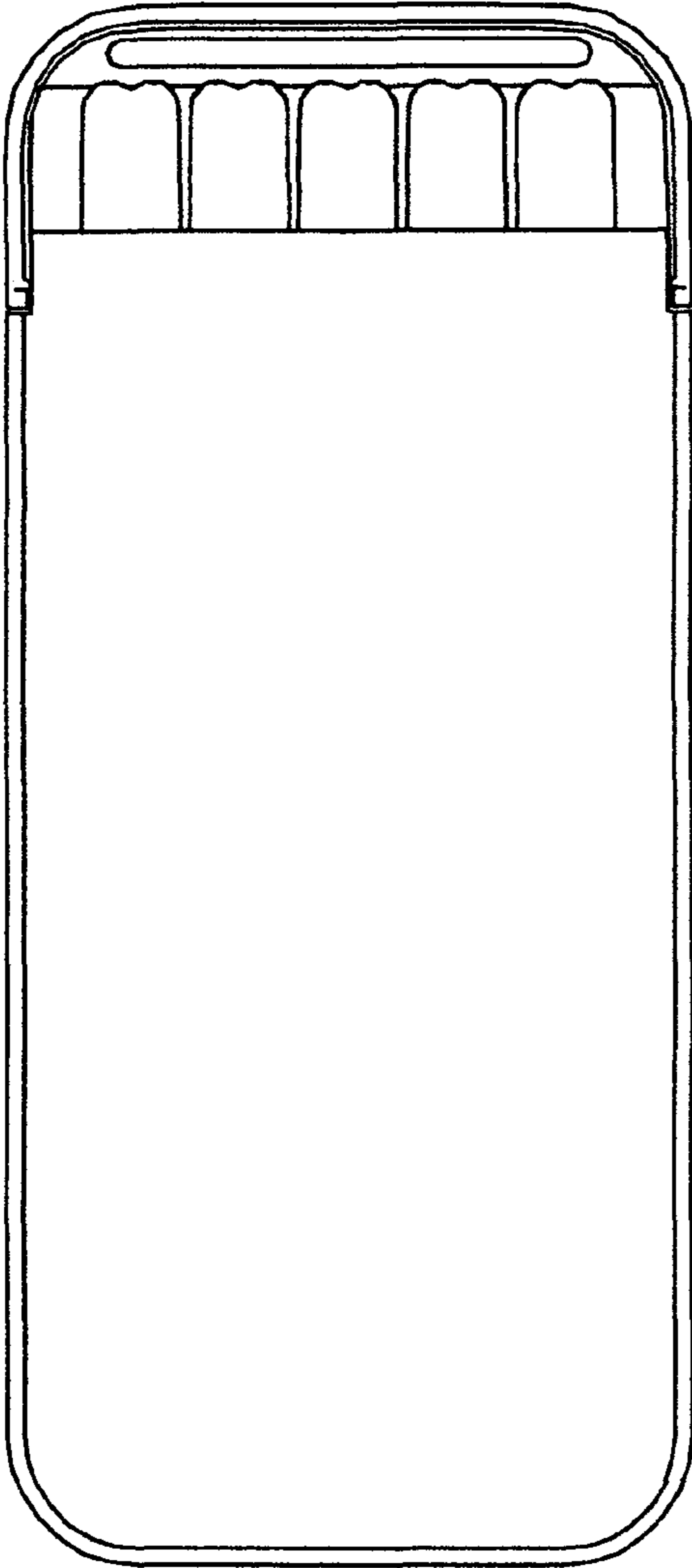


Fig. 4

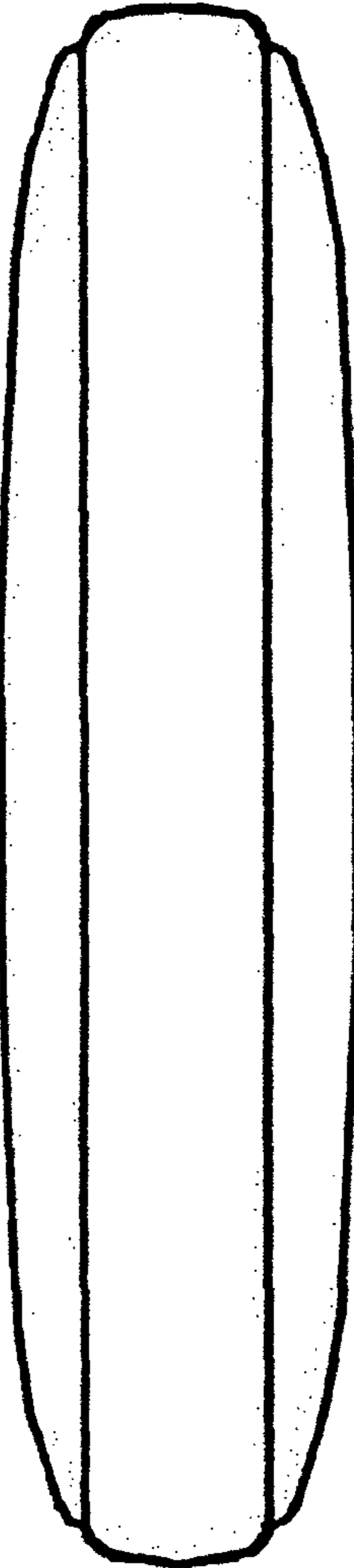


Fig. 5

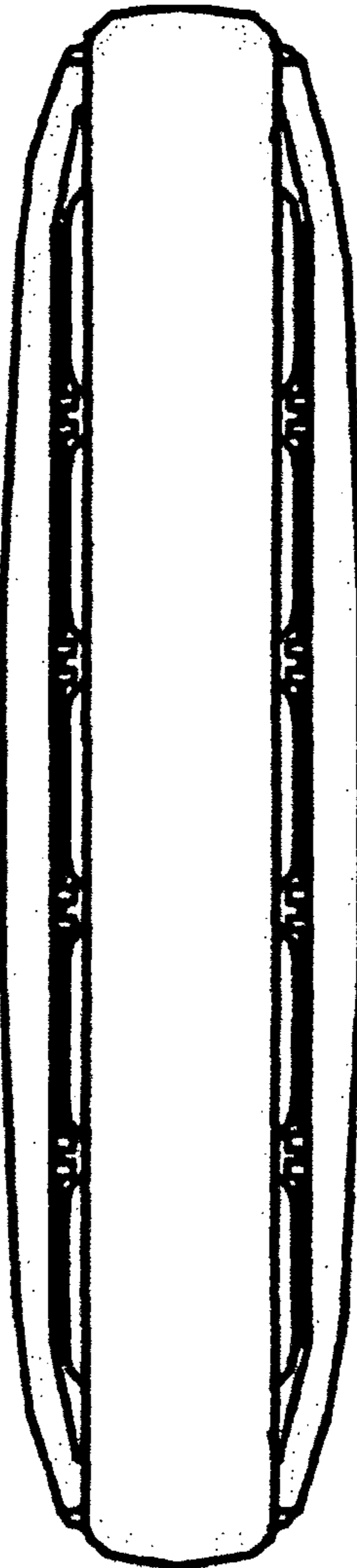


Fig. 6

