



US00D662701S

(12) **United States Design Patent**
Raysse

(10) **Patent No.:** **US D662,701 S**
(45) **Date of Patent:** **** Jul. 3, 2012**

- (54) **SHOE BOTTOM**
 - (75) Inventor: **David Raysse**, Los Angeles, CA (US)
 - (73) Assignee: **Skechers U.S.A., Inc. II**, Manhattan Beach, CA (US)
 - (**) Term: **14 Years**
 - (21) Appl. No.: **29/411,347**
 - (22) Filed: **Jan. 19, 2012**
 - (51) **LOC (9) Cl.** **02-04**
 - (52) **U.S. Cl.** **D2/957; D2/960; D2/951**
 - (58) **Field of Classification Search** D2/902, D2/906, 908, 916, 918, 925, 946-962, 977; 36/3 B, 22 R, 24.5, 25 R, 28, 32 R, 34 R, 36/59 C, 67 A, 103
- See application file for complete search history.

- D393,538 S 4/1998 Marshall
 - D394,343 S 5/1998 Marshall et al.
 - D394,741 S 6/1998 Gaudio
 - D397,849 S * 9/1998 Mitsui et al. D2/954
 - D403,846 S 1/1999 Bove et al.
 - D404,899 S * 2/1999 von Conta D2/957
 - D416,669 S * 11/1999 Parr et al. D2/954
 - D429,062 S * 8/2000 Santa D2/954
 - D444,939 S 7/2001 Hamel
 - D459,063 S * 6/2002 Nason D2/953
 - D464,477 S 10/2002 Adams
 - D499,239 S 12/2004 Burg et al.
 - D502,308 S * 3/2005 Teague D2/957
 - 6,915,596 B2 7/2005 Grove et al.
 - D512,818 S * 12/2005 Mitani et al. D2/953
 - D520,220 S * 5/2006 Morgan et al. D2/957
 - D521,715 S 5/2006 Lotti
 - 7,076,890 B2 7/2006 Grove et al.
 - D528,776 S 9/2006 Hui
 - D528,777 S 9/2006 McDowell
 - D530,493 S * 10/2006 Holmes D2/957
- (Continued)

(56) **References Cited**

U.S. PATENT DOCUMENTS

- D69,440 S * 2/1926 Church D2/954
- D69,441 S * 2/1926 Church D2/957
- D80,361 S * 1/1930 Crowley D2/954
- 2,239,211 A * 4/1941 Wylie 36/3 B
- 4,471,538 A * 9/1984 Pomeranz et al. 36/28
- D287,661 S 1/1987 Tonkel
- D288,027 S 2/1987 Tonkel
- D301,392 S 6/1989 Le
- D301,936 S * 7/1989 Swett D2/956
- D305,278 S * 1/1990 Kiyosawa D2/954
- D320,884 S 10/1991 Brue
- D326,769 S 6/1992 Challant
- D338,996 S * 9/1993 Issler et al. D2/955
- D343,050 S 1/1994 Blissett
- D355,525 S 2/1995 Minkin
- 5,572,805 A 11/1996 Giese et al.
- D378,549 S 3/1997 Murai
- D379,861 S 6/1997 Wunsch
- D388,595 S 1/1998 Lucas
- D389,993 S 2/1998 Ryan
- D390,690 S 2/1998 Murai et al.
- D393,341 S 4/1998 Marshall et al.

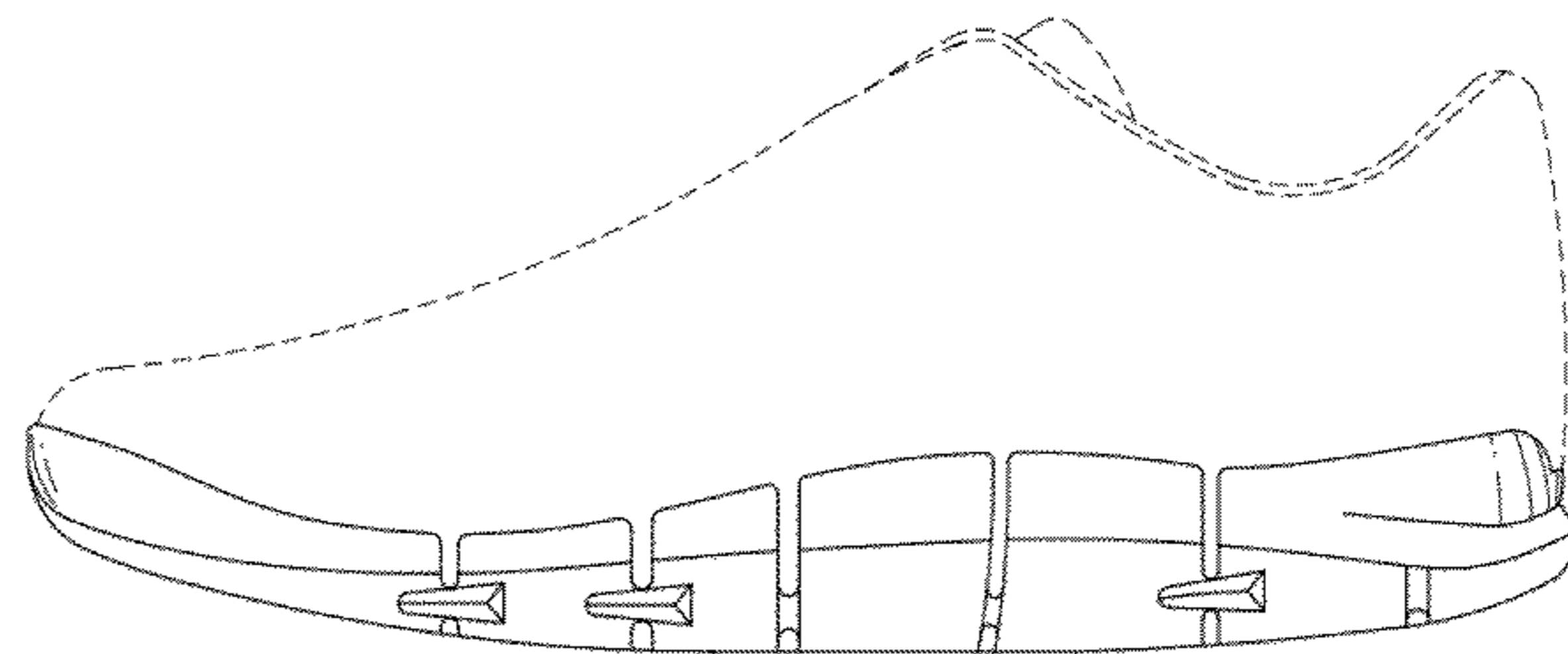
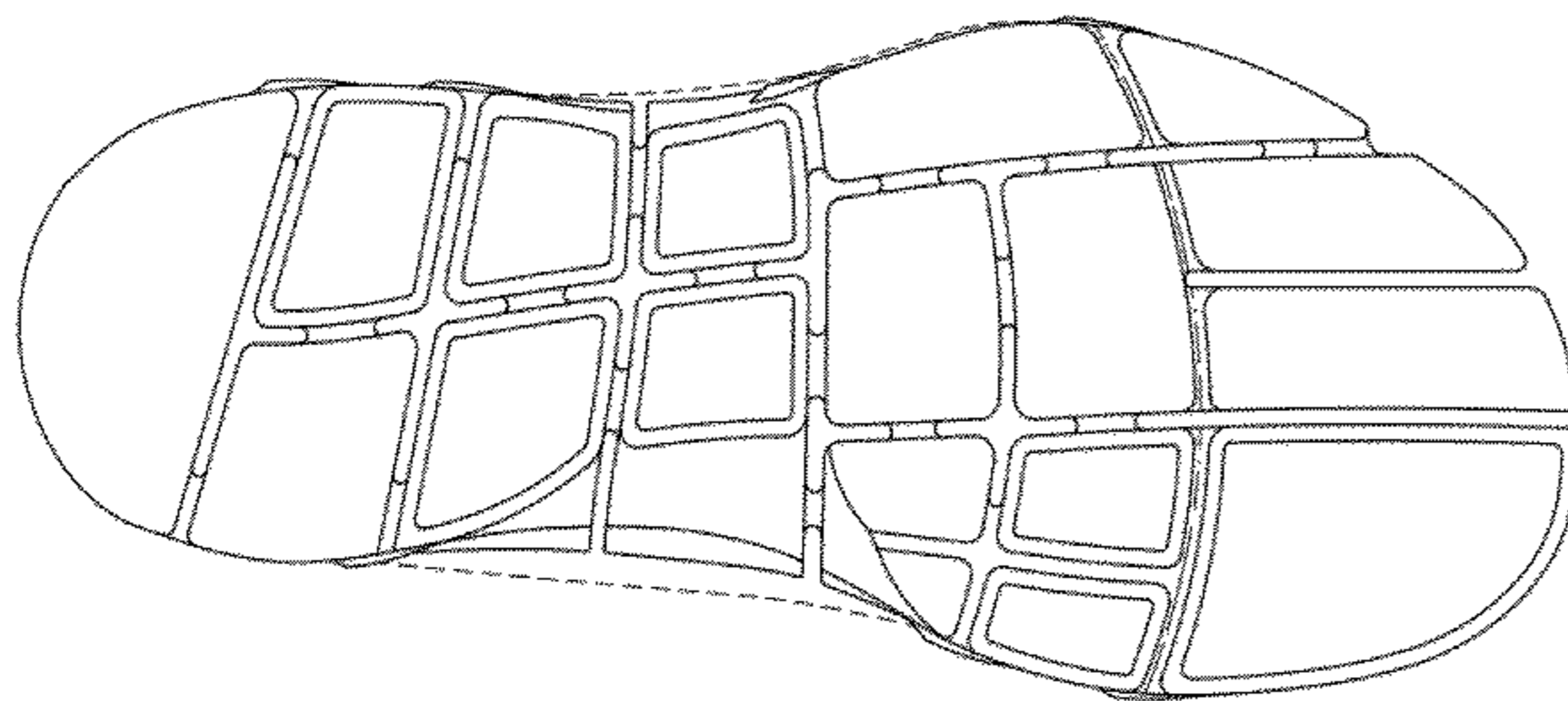
Primary Examiner — T. Chase Nelson
(74) *Attorney, Agent, or Firm* — Marshall A. Lerner, Esq.; Marvin H. Kleinberg, Esq.; Kleinberg & Lerner, LLP

(57) **CLAIM**
The ornamental design for a shoe bottom, as shown and described.

DESCRIPTION

FIG. 1 is a perspective view of a shoe bottom in accordance with my new design.
FIG. 2 is a bottom plan view thereof;
FIG. 3 is a left side view thereof;
FIG. 4 is a right side view thereof;
FIG. 5 is a rear elevation view thereof;
FIG. 6 is a front elevation view thereof; and,
FIG. 7 is a top plan view thereof.
Broken lines showing the remainder of the shoe in the figures are for illustrative purposes only and form no part of the claimed invention.

1 Claim, 6 Drawing Sheets



US D662,701 S

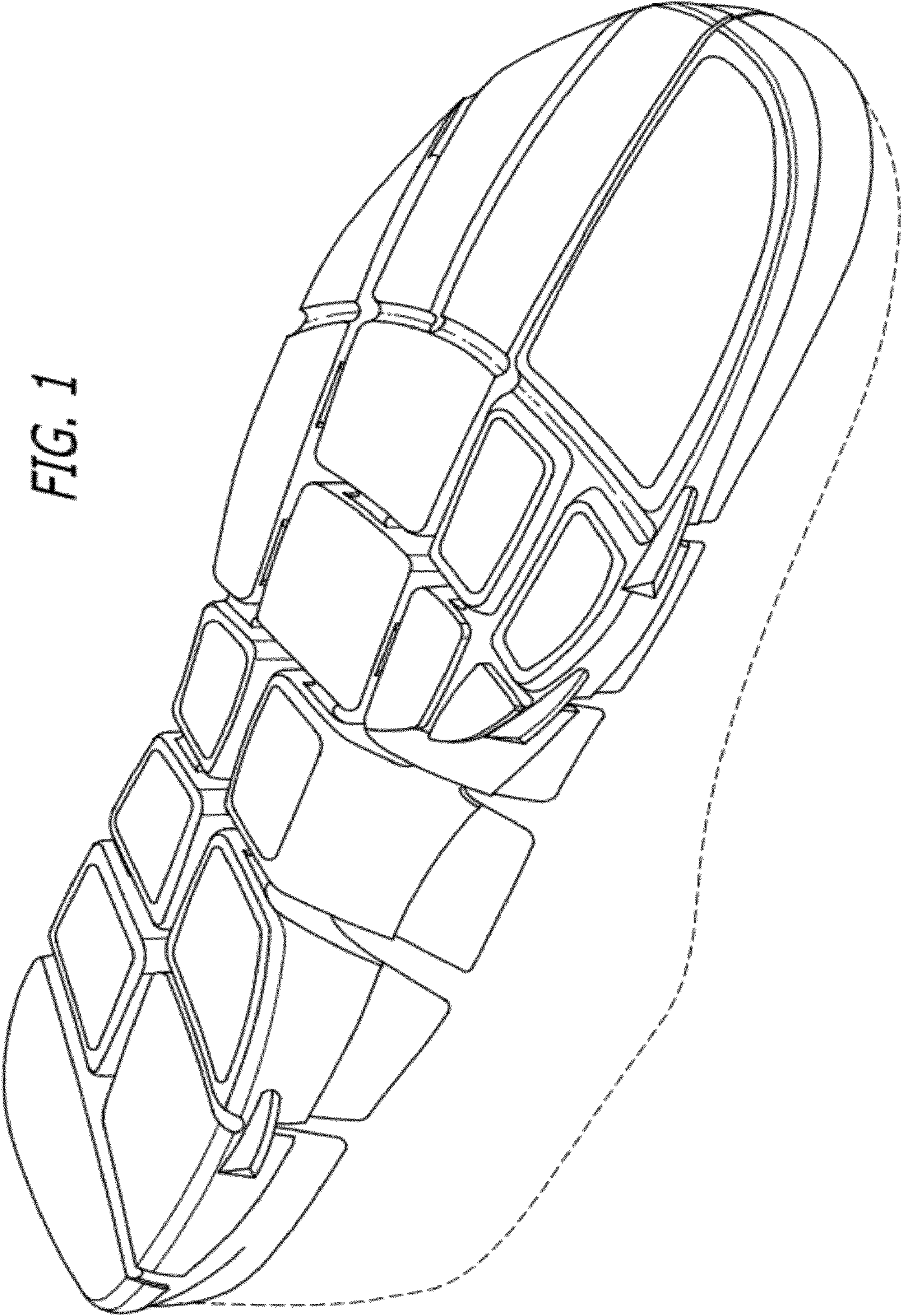
Page 2

U.S. PATENT DOCUMENTS

D544,185 S	6/2007	Lupo	
D547,934 S	8/2007	Loverin	
D550,939 S *	9/2007	Smith et al.	D2/957
D551,433 S	9/2007	Loverin	
D553,835 S *	10/2007	McClaskie	D2/959
D554,840 S *	11/2007	McClaskie	D2/960
D556,433 S	12/2007	Le	
D556,988 S	12/2007	Horne et al.	
7,313,875 B2	1/2008	Morgan	
D561,440 S *	2/2008	Andersen et al.	D2/957
D570,080 S *	6/2008	Feller et al.	D2/959
D571,988 S *	7/2008	Dillenbeck	D2/960
D573,331 S	7/2008	Hatfield et al.	
D573,332 S	7/2008	Hatfield et al.	
7,444,763 B2	11/2008	Grove et al.	
D581,641 S *	12/2008	Bethke, Jr.	D2/957
D584,491 S *	1/2009	Matis	D2/956
D584,492 S *	1/2009	Lee	D2/957
D586,992 S	2/2009	Duffy	
D586,994 S *	2/2009	Chang	D2/959
D593,290 S *	6/2009	Chen	D2/953
D593,291 S *	6/2009	Chen	D2/953
D602,237 S *	10/2009	Roundhouse	D2/960
D602,683 S *	10/2009	Roundhouse	D2/957
D603,150 S *	11/2009	Roundhouse	D2/953
D603,151 S *	11/2009	Roundhouse	D2/960
D608,534 S *	1/2010	Bullard	D2/947
D616,188 S *	5/2010	Chan	D2/960
D619,793 S	7/2010	Raysse	
D621,595 S *	8/2010	McClaskie	D2/957
D626,320 S *	11/2010	Anderson	D2/957
D630,420 S *	1/2011	Truelsen	D2/951
D632,879 S *	2/2011	Merkazy et al.	D2/953
D634,108 S *	3/2011	Tzenos	D2/954
D640,047 S *	6/2011	Claassen	D2/961
D642,362 S	8/2011	Miner	
D643,601 S	8/2011	Raysse	
D644,418 S	9/2011	Yi	
D644,419 S	9/2011	Raysse	
D644,420 S *	9/2011	Christopherson	D2/946
D646,871 S *	10/2011	Christopherson	D2/951
D646,872 S *	10/2011	Rasmussen	D2/957
D646,874 S	10/2011	Miner	
D652,201 S *	1/2012	Vestuti et al.	D2/946
D653,437 S *	2/2012	Mongelli	D2/957
2005/0262739 A1 *	12/2005	McDonald et al.	36/102
2006/0213088 A1 *	9/2006	Grove et al.	36/100
2008/0022553 A1 *	1/2008	McDonald et al.	36/25 R
2008/0052965 A1 *	3/2008	Sato	36/103
2009/0013558 A1 *	1/2009	Hazenberg et al.	36/88
2010/0180474 A1 *	7/2010	Clark et al.	36/3 B
2010/0287792 A1	11/2010	Hide	
2010/0307025 A1 *	12/2010	Truelsen et al.	36/28
2010/0325917 A1 *	12/2010	Cass et al.	36/88
2011/0185590 A1 *	8/2011	Nishiwaki et al.	36/28
2011/0197469 A1 *	8/2011	Nishiwaki et al.	36/28
2011/0214313 A1	9/2011	James et al.	

* cited by examiner

FIG. 1



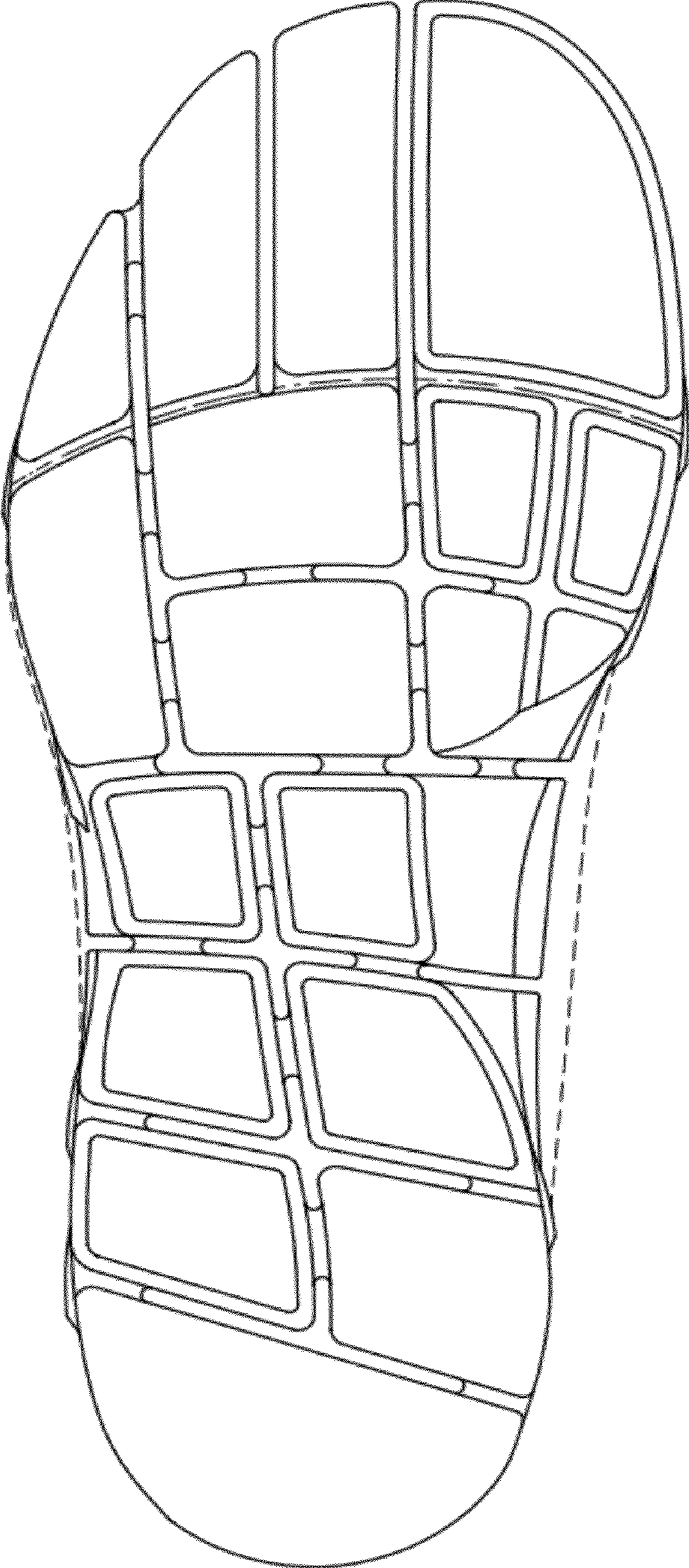
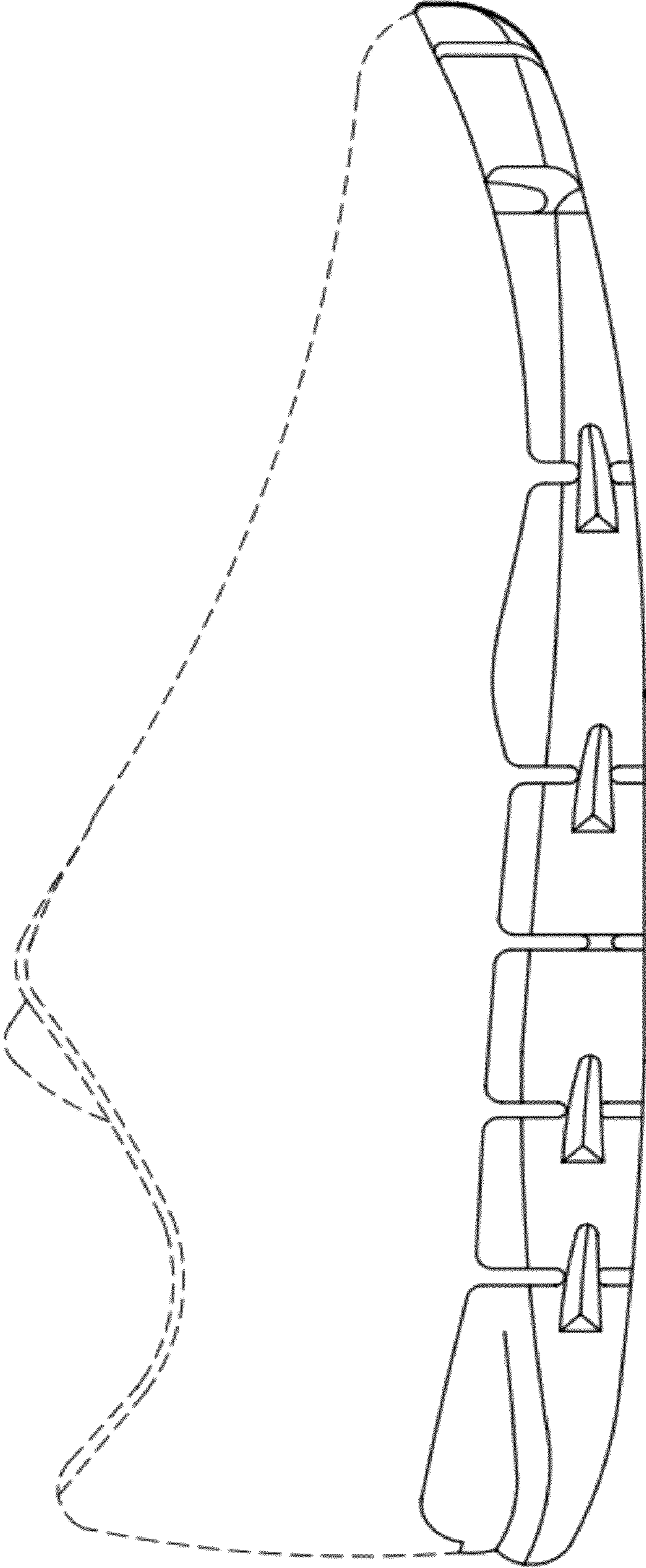


FIG. 2

FIG. 3



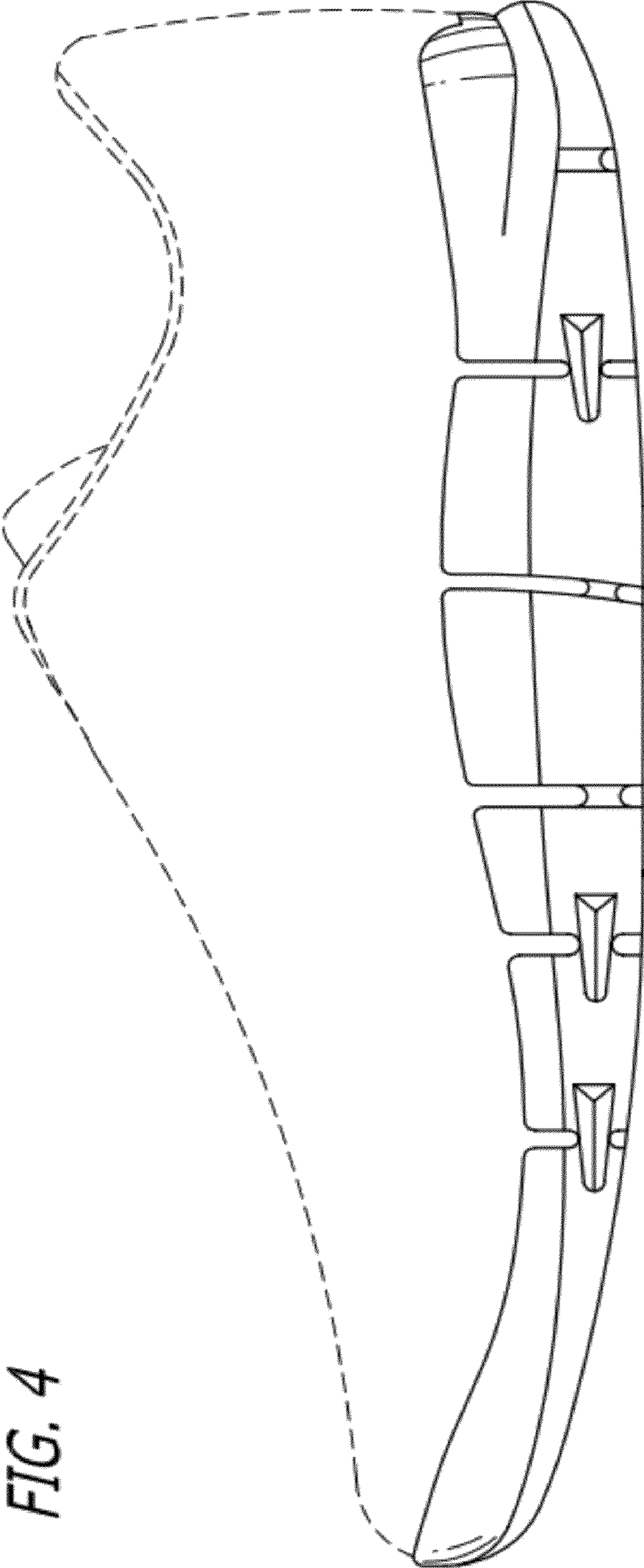


FIG. 4

FIG. 6

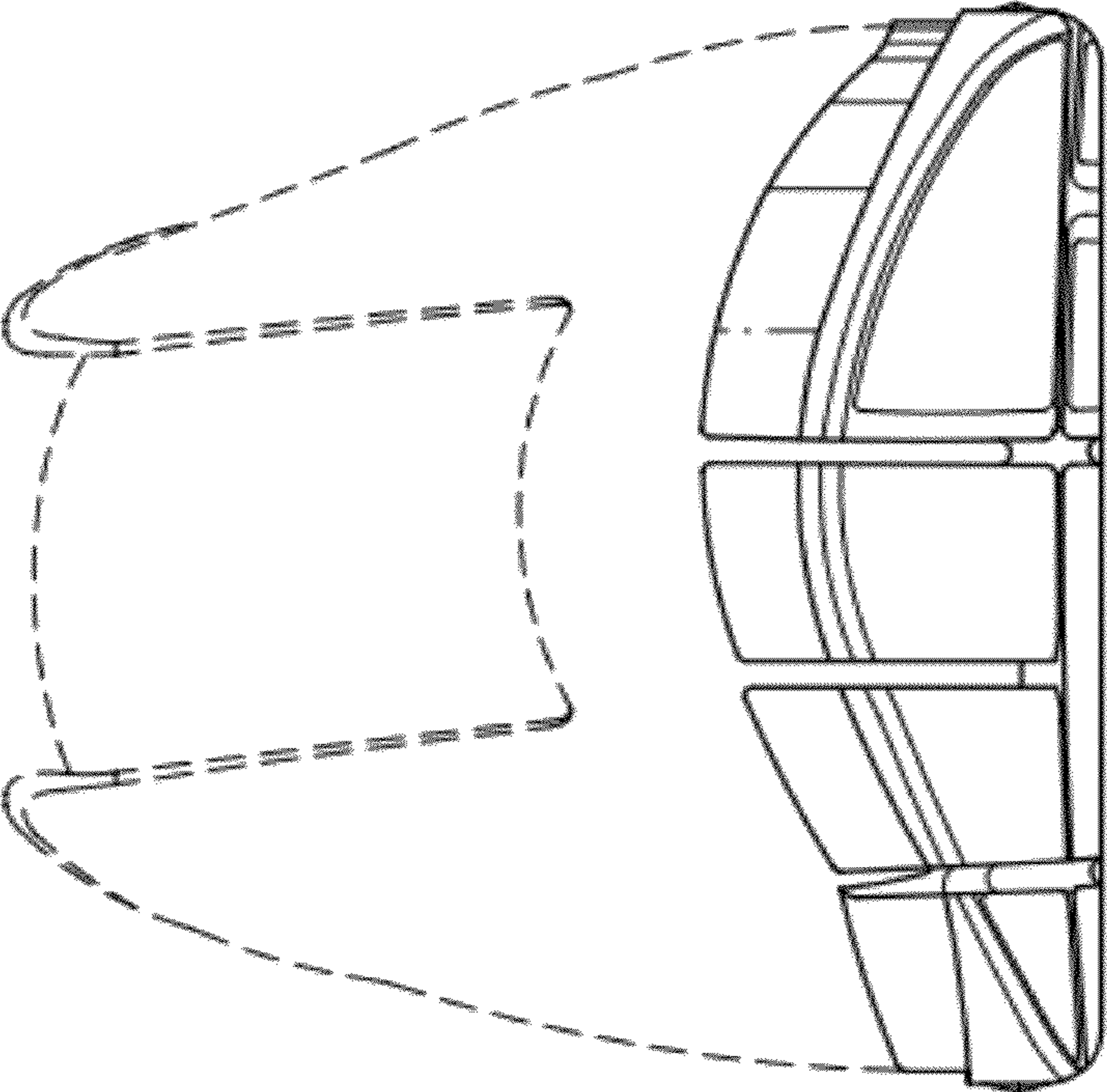
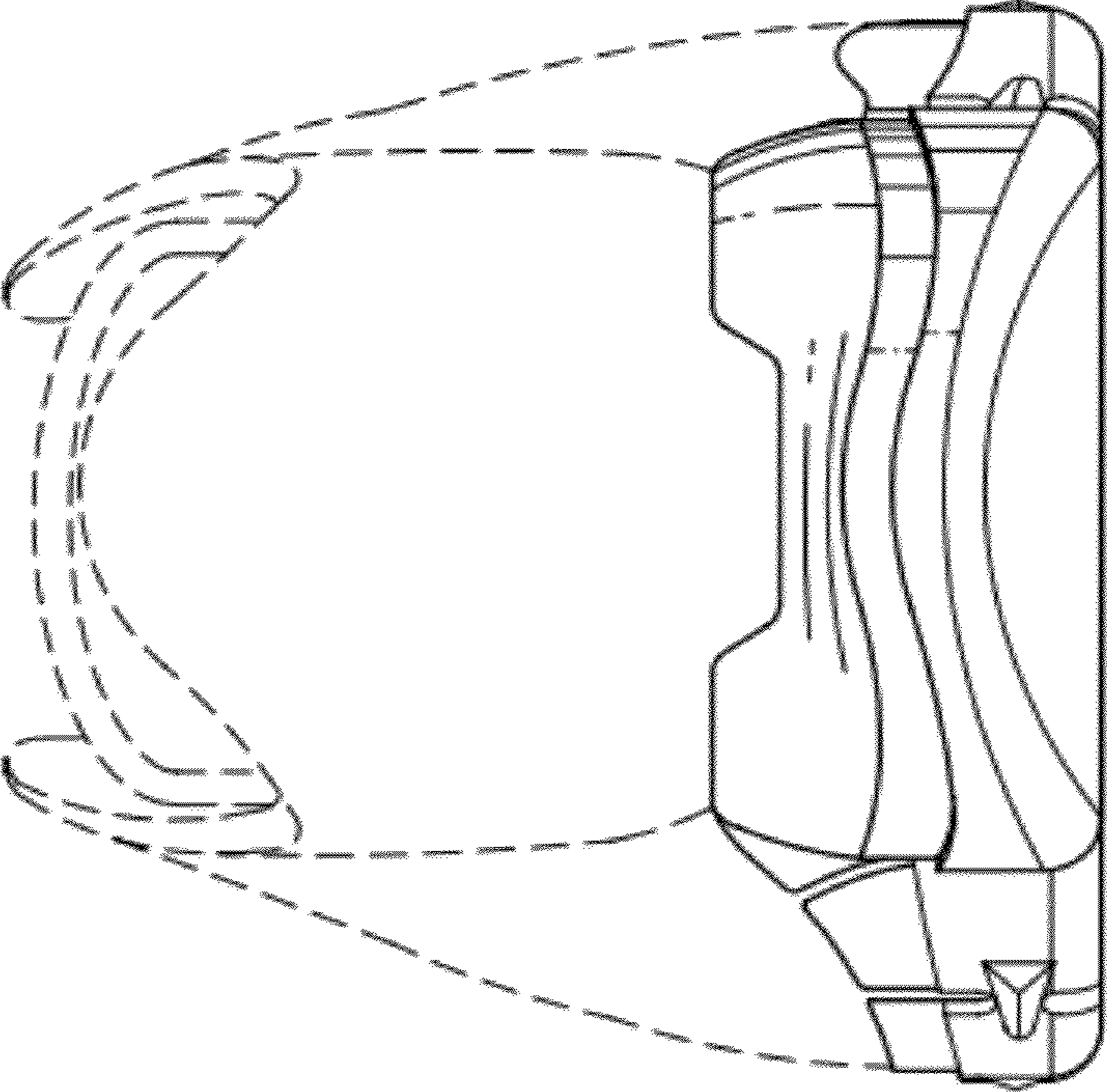


FIG. 5



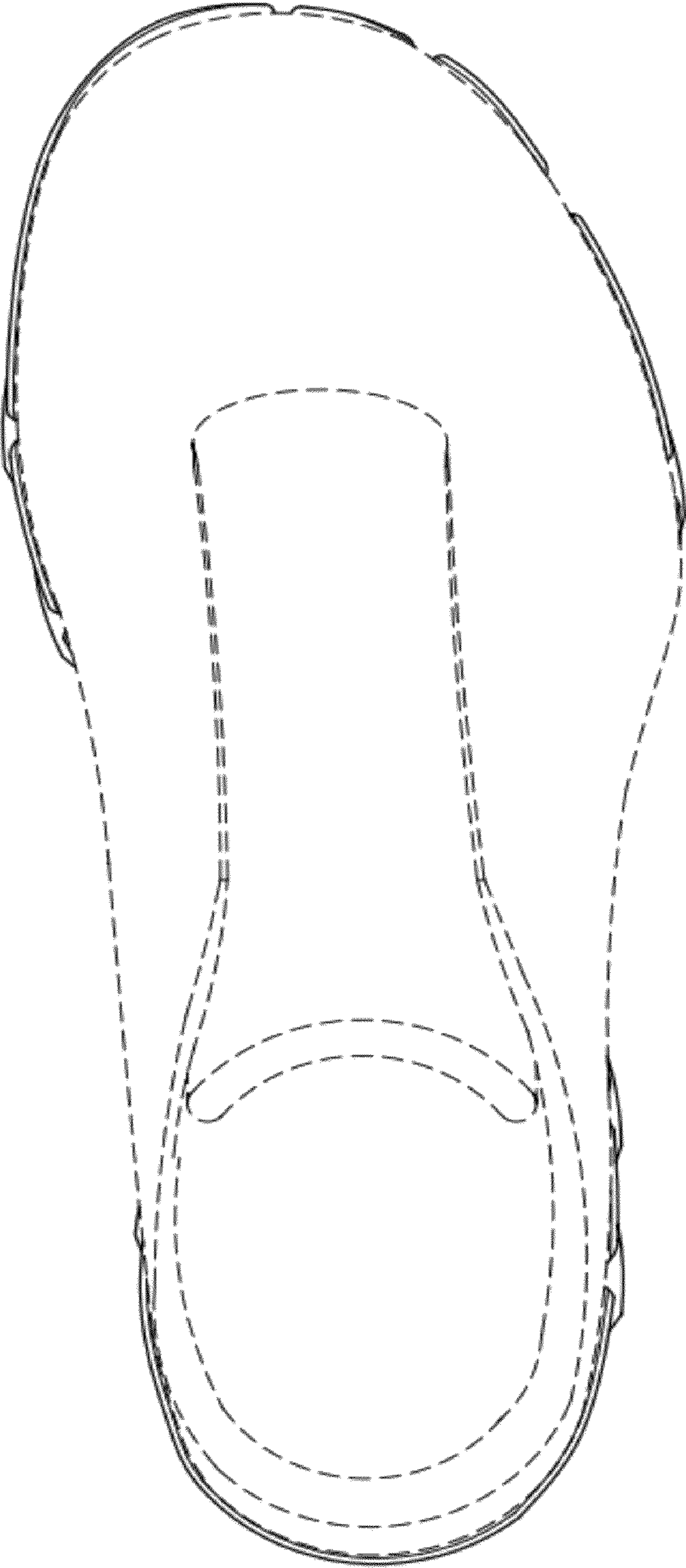


FIG. 7