



US00D662696S

(12) **United States Design Patent**
Baker

(10) **Patent No.:** **US D662,696 S**

(45) **Date of Patent:** **** Jul. 3, 2012**

(54) **LUMINESCENT PORTIONS OF A SHOE**

(76) Inventor: **Jeffrey Michael Baker**, London (GB)

(**) Term: **14 Years**

(21) Appl. No.: **29/371,170**

(22) Filed: **Nov. 10, 2010**

(51) **LOC (9) Cl.** **02-04**

(52) **U.S. Cl.** **D2/946; D2/977**

(58) **Field of Classification Search** D2/896,
D2/902, 905, 906, 908, 909, 910, 911, 912,
D2/943, 944, 946, 947, 951, 960, 969, 970,
D2/972, 976, 977; 36/83, 113, 114, 126-131,
36/136, 137, 3 A, 3 B, 21, 25 R, 32 R, 45,
36/57

See application file for complete search history.

(56) **References Cited**

U.S. PATENT DOCUMENTS

D29,914 S *	12/1898	Merrick	D2/977
679,978 A *	8/1901	Merrick	112/418
D127,031 S *	5/1941	Bingham	D2/977
D128,091 S *	7/1941	Bingham	D2/977
D138,573 S *	8/1944	Kleven	D2/977
D138,574 S *	8/1944	Kleven	D2/977
D142,739 S *	10/1945	Phinney	D2/977
D142,740 S *	10/1945	Phinney	D2/977
D339,905 S *	10/1993	Bensley	D2/977
D377,561 S *	1/1997	McClelland	D2/977
D385,103 S *	10/1997	Teague	D2/972
D386,588 S *	11/1997	Cooper	D2/947
D407,540 S *	4/1999	Dolinsky	D2/946

D420,499 S *	2/2000	Dolinsky	D2/972
D470,303 S *	2/2003	Wu	D2/977
D484,301 S *	12/2003	Issler	D2/977
D494,357 S *	8/2004	Del Biondi	D2/977
D555,891 S *	11/2007	Bettencourt	D2/977
D558,971 S *	1/2008	Wu	D2/977
D569,093 S *	5/2008	Morgan et al.	D2/977
D569,094 S *	5/2008	Morgan et al.	D2/977
D583,134 S *	12/2008	Moore et al.	D2/946
D591,493 S *	5/2009	Yi	D2/946
D632,885 S *	2/2011	Grangaard et al.	D2/977
D636,566 S *	4/2011	Frantz	D2/946
D653,842 S *	2/2012	Weiss	D2/946

* cited by examiner

Primary Examiner — Elizabeth J Oswecki

(74) *Attorney, Agent, or Firm* — Steptoe & Johnson LLP

(57) **CLAIM**

The ornamental design for luminescent portions of a shoe, as shown and described.

DESCRIPTION

FIG. 1 is a top perspective view of luminescent portions of a shoe showing my new design; FIG. 2 is a front view thereof; FIG. 3 is a rear view thereof; FIG. 4 is a right side view thereof; FIG. 5 is a left side view thereof; and, FIG. 6 is a top view thereof.

In the drawings, the broken lines in FIGS. 1-6 depict portions of the design that form no part of the claim.

1 Claim, 5 Drawing Sheets





FIG. 1

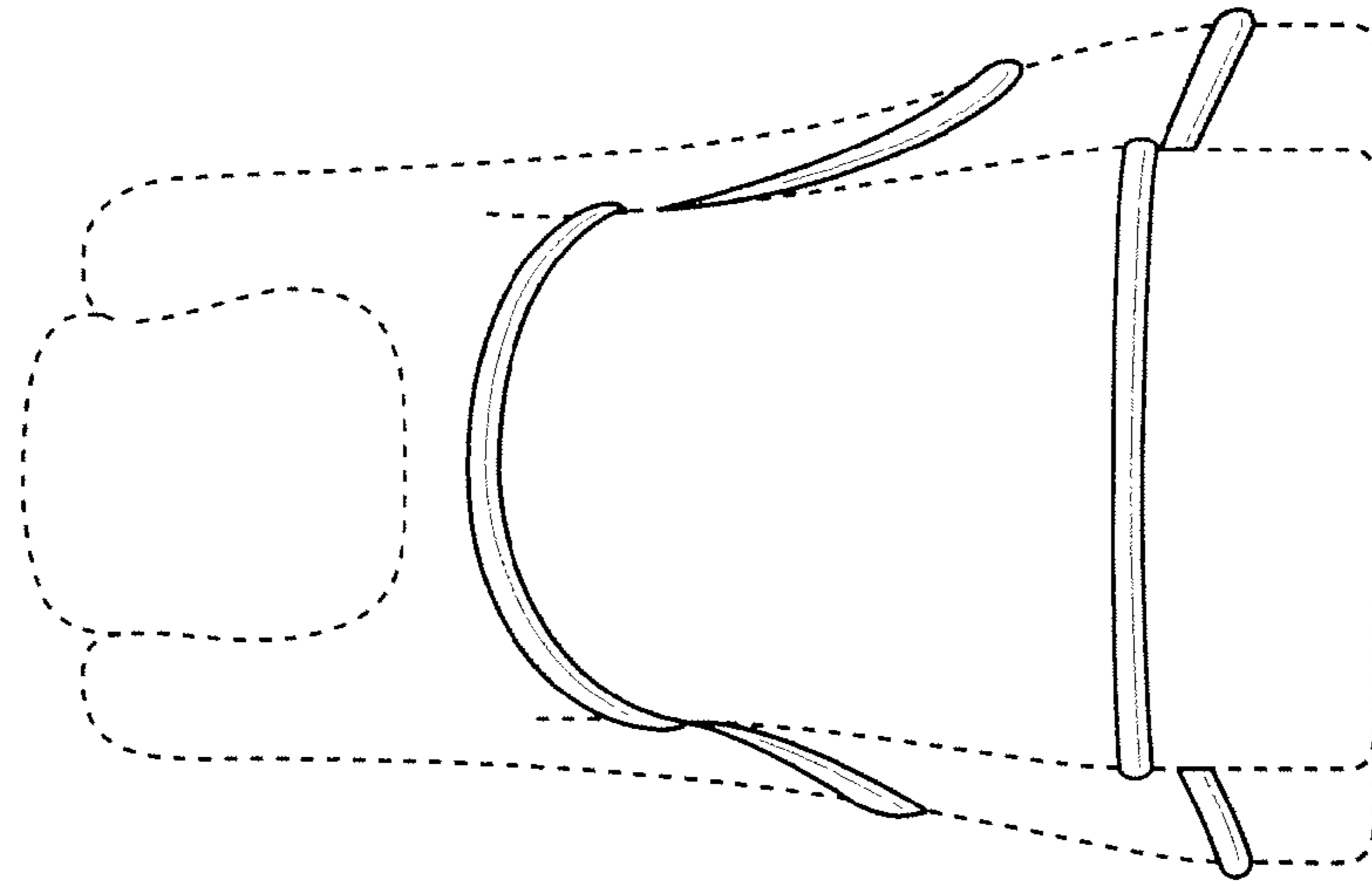


FIG. 3

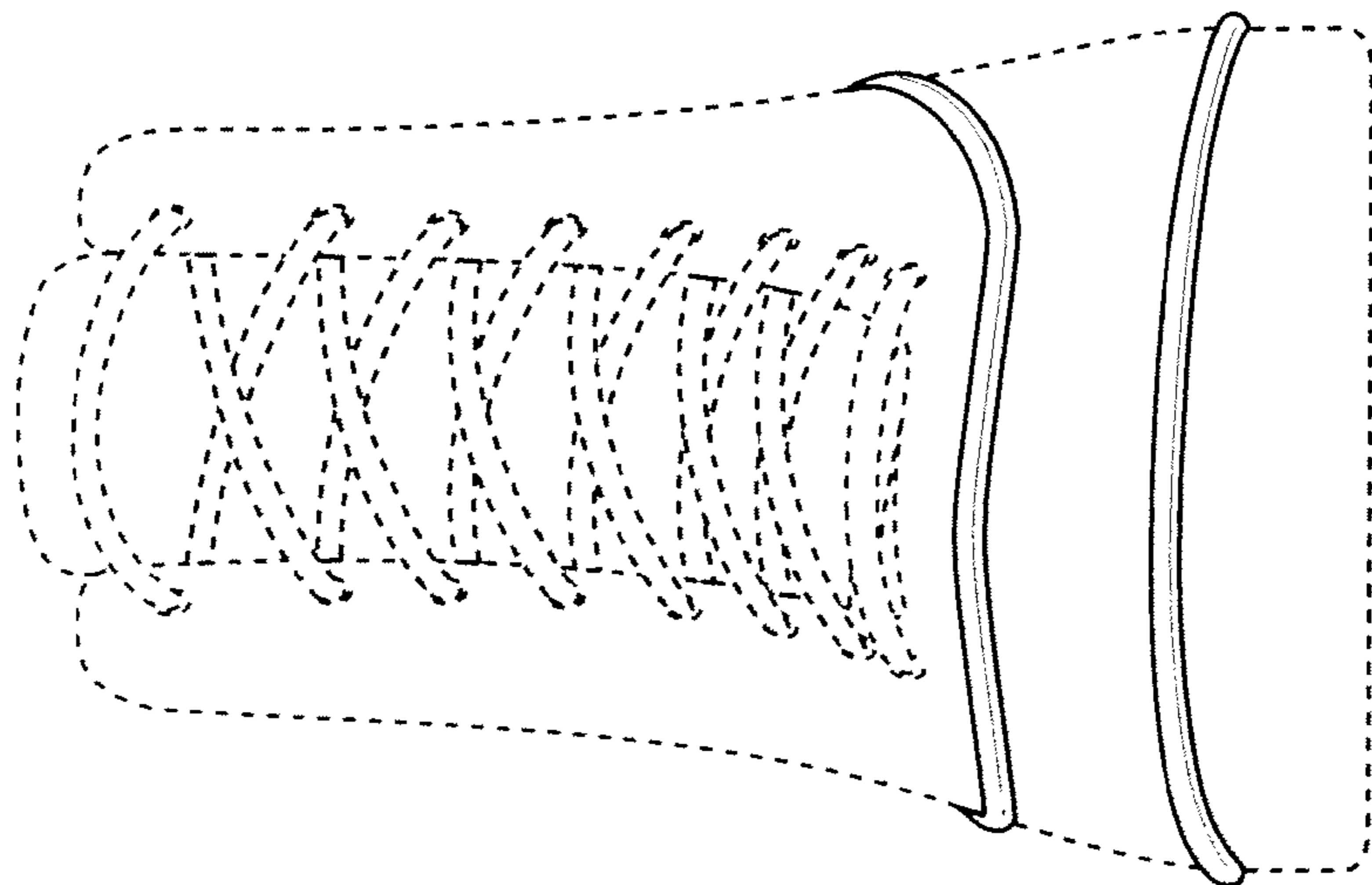


FIG. 2

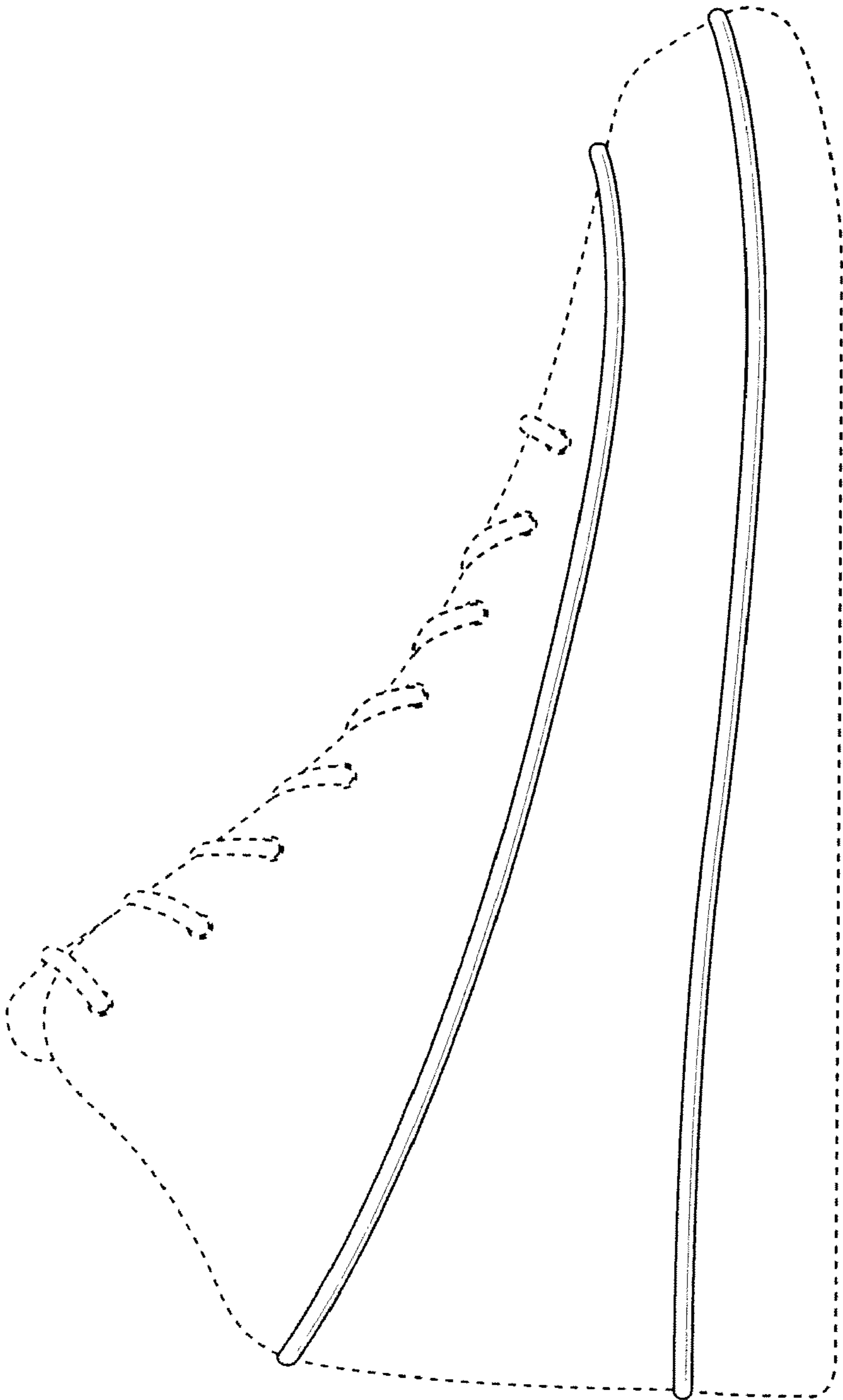


FIG. 4

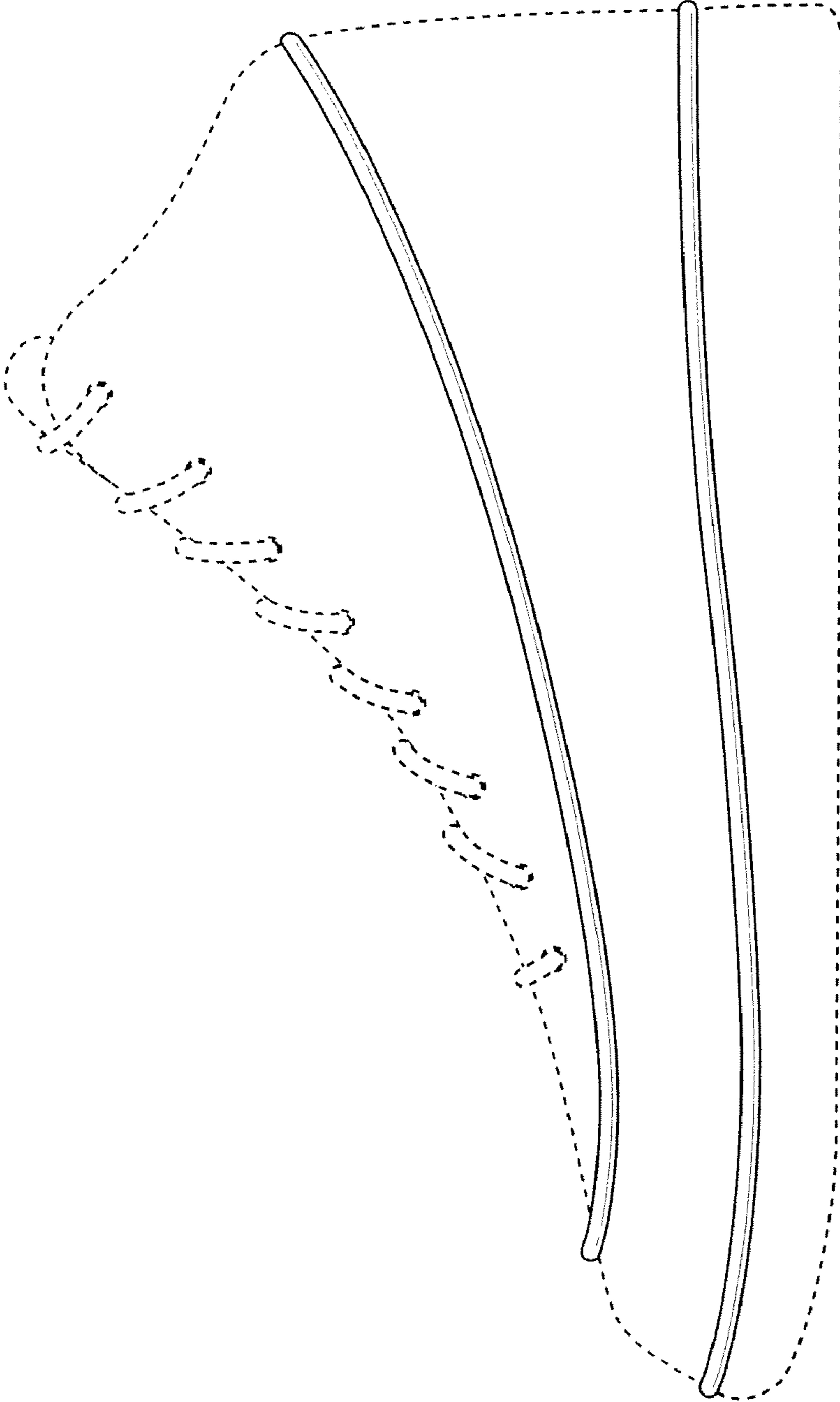


FIG. 5

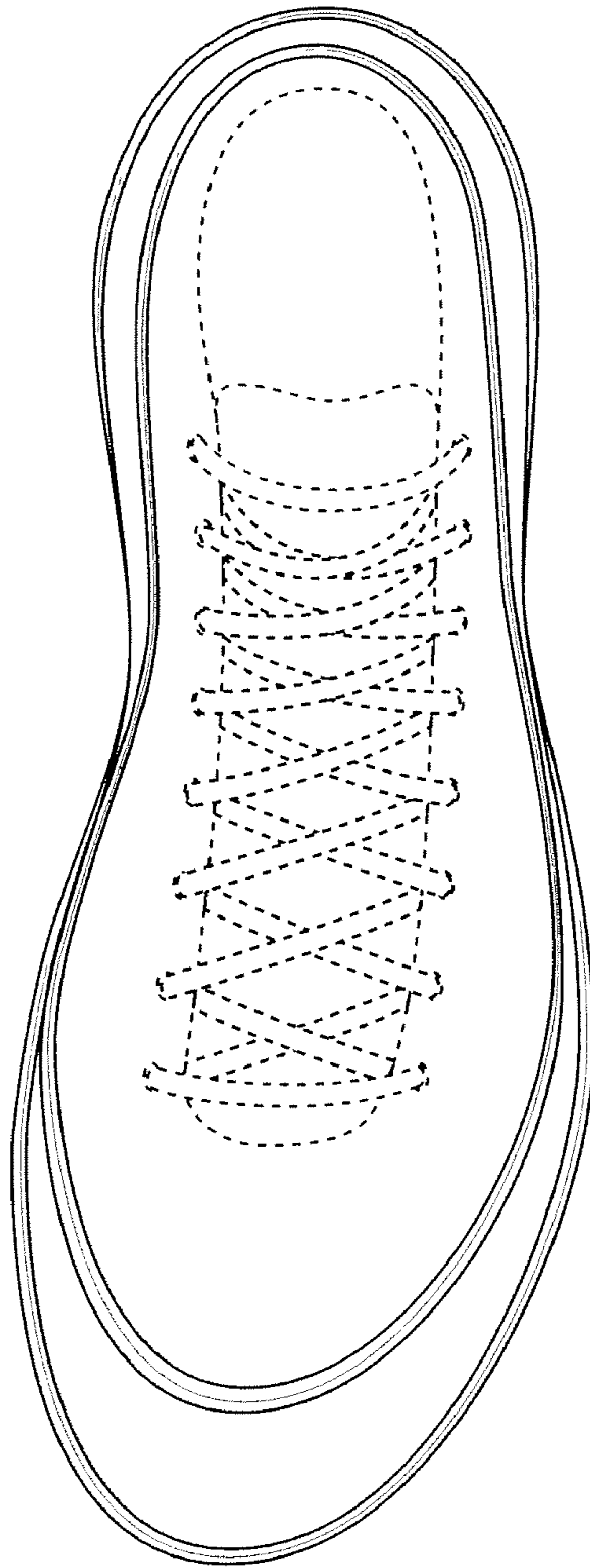


FIG. 6