

US00D662685S

(12) **United States Design Patent**
Parker et al.

(10) **Patent No.:** **US D662,685 S**
(45) **Date of Patent:** **** Jun. 26, 2012**

(54) **VAULT**

(75) Inventors: **Daniel J. Parker**, Connerville, IN (US);
Ilija Rojdev, Cincinnati, OH (US)

(73) Assignee: **Batesville Services, Inc.**, Batesville, IN
(US)

(**) Term: **14 Years**

(21) Appl. No.: **29/407,591**

(22) Filed: **Nov. 30, 2011**

4,288,952 A	9/1981	Work	
4,314,390 A	2/1982	Darby et al.	
D300,978 S	5/1989	Bethune et al.	
D303,032 S	8/1989	Clements	
4,967,523 A	11/1990	Turpin	
5,245,733 A	9/1993	Goria	
5,261,199 A *	11/1993	Schmidt	52/141
D346,264 S	4/1994	Etzel et al.	
5,321,873 A *	6/1994	Goria	27/35
D355,520 S	2/1995	Harrill	
5,471,718 A	12/1995	Harrill	
D370,769 S *	6/1996	Giannarelli	D99/17
5,611,125 A	3/1997	Williams et al.	
5,960,524 A	10/1999	Darby et al.	
6,282,763 B1	9/2001	Goria	

(Continued)

Related U.S. Application Data

(62) Division of application No. 29/377,358, filed on Oct. 20, 2010, now Pat. No. Des. 650,965.

(51) **LOC (9) Cl.** **99-00**

(52) **U.S. Cl.** **D99/17; D99/1**

(58) **Field of Classification Search** D99/1,
D99/5, 17; 27/2, 3, 4, 5, 6, 7, 8, 9, 35; 220/608;
52/103, 128, 131, 136, 138, 139, 140
See application file for complete search history.

(56) **References Cited**

U.S. PATENT DOCUMENTS

1,327,442 A *	1/1920	Mesker	27/6
2,655,714 A	10/1953	Rench	
2,940,156 A *	6/1960	Cook	27/35
3,038,232 A	6/1962	Wean	
3,253,312 A *	5/1966	Klosner	27/35
D208,470 S *	9/1967	Madej	D99/1
3,439,461 A	4/1969	Chandler et al.	
3,839,768 A	10/1974	McQuestion	
D240,640 S	7/1976	Clark et al.	
4,034,447 A *	7/1977	Kollmann et al.	27/7
4,060,581 A	11/1977	Darby et al.	
D251,023 S	2/1979	Paris et al.	
4,253,220 A *	3/1981	Work	27/35
4,261,083 A	4/1981	Darby et al.	

OTHER PUBLICATIONS

U.S. Appl. No. 12/615,092, filed Nov. 9, 2009 titled Casket Vault.

(Continued)

Primary Examiner — Paula Greene

(74) *Attorney, Agent, or Firm* — Wood, Herron & Evans, LLP

(57) **CLAIM**

The ornamental design for a vault, as shown and described.

DESCRIPTION

FIG. 1 is a perspective view of our new, original and ornamental design for a vault.

FIG. 2 is an end view thereof, the other end view being identical thereto.

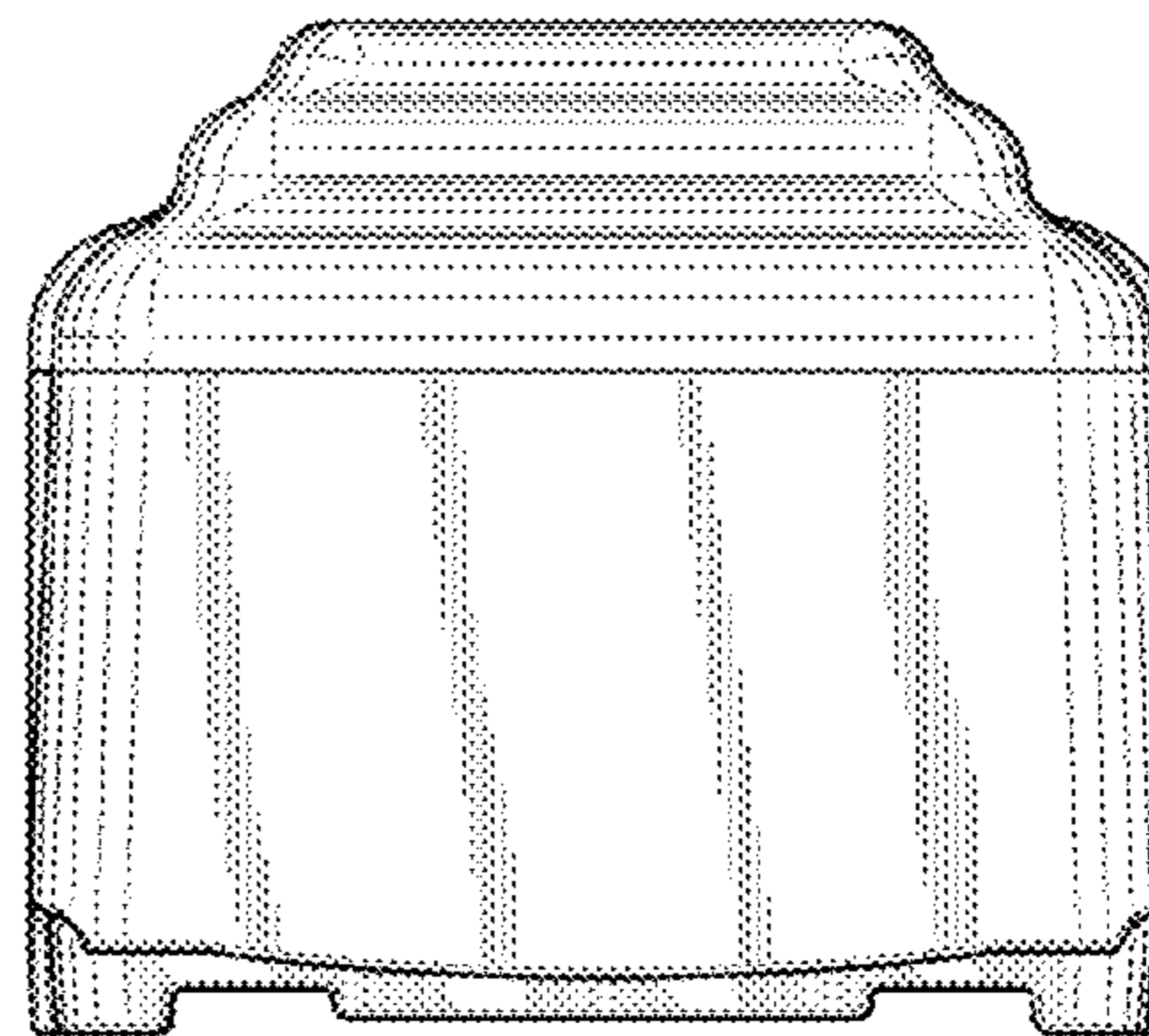
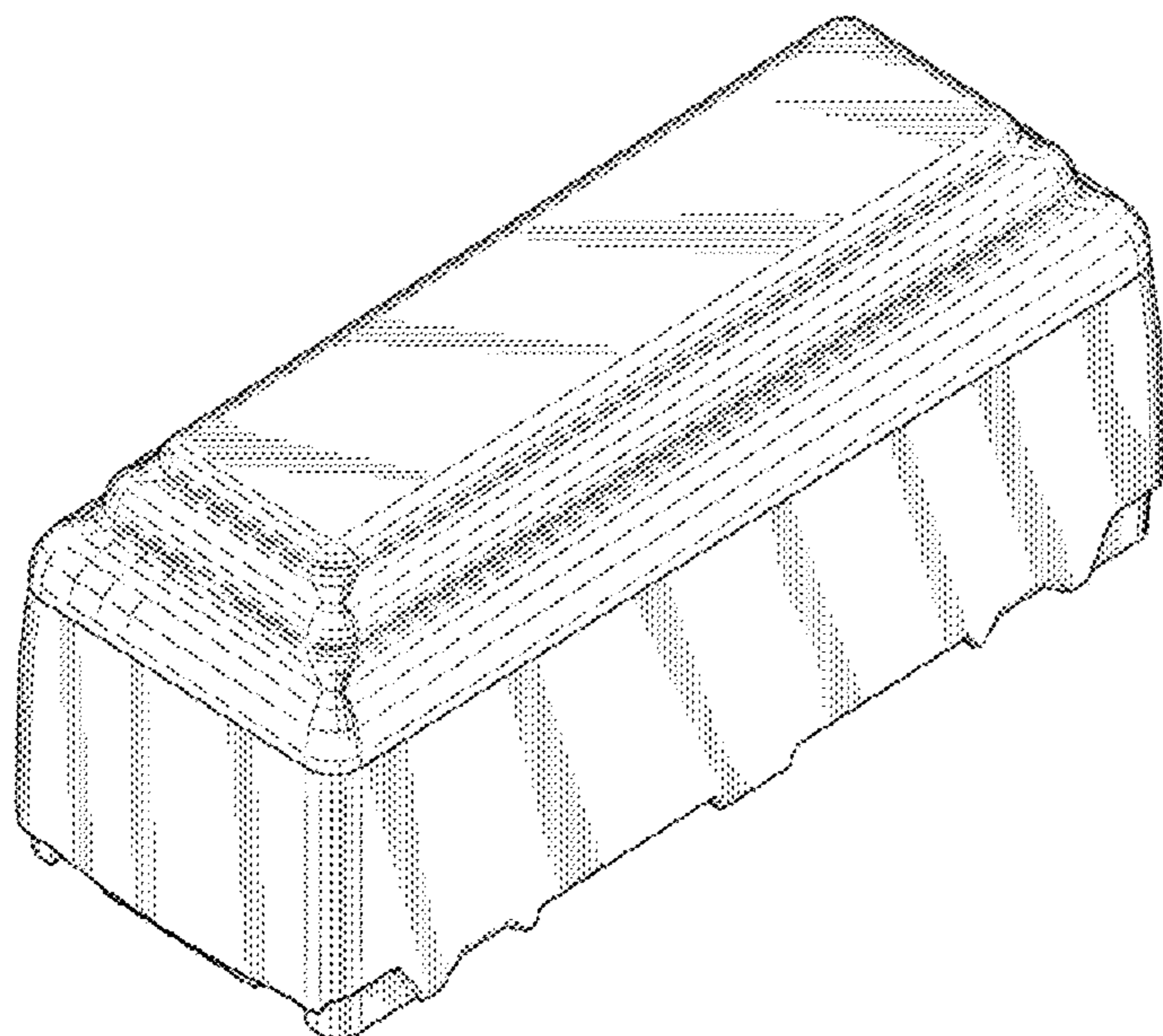
FIG. 3 is a side view thereof, the other side view being identical thereto.

FIG. 4 is a top view thereof; and,

FIG. 5 is a bottom view thereof.

The broken lines form no part of the claimed design.

1 Claim, 5 Drawing Sheets



US D662,685 S

Page 2

U.S. PATENT DOCUMENTS

6,318,030 B1 * 11/2001 McClure et al. 52/136
6,453,626 B1 9/2002 Weilein et al.
D468,072 S 12/2002 Weilein et al.
7,093,396 B2 8/2006 Pazar
7,131,237 B2 11/2006 Pazar
7,475,458 B1 * 1/2009 Gordon et al. 27/35
D650,965 S * 12/2011 Parker et al. D99/17

OTHER PUBLICATIONS

U.S. Appl. No. 61/394,932, filed Oct. 20, 2010 titled Vault and Vault/Casket Display.

U.S. Appl. No. 13/276,701, filed Oct. 19, 2011 titled Vault and Vault/Casket Display.

* cited by examiner

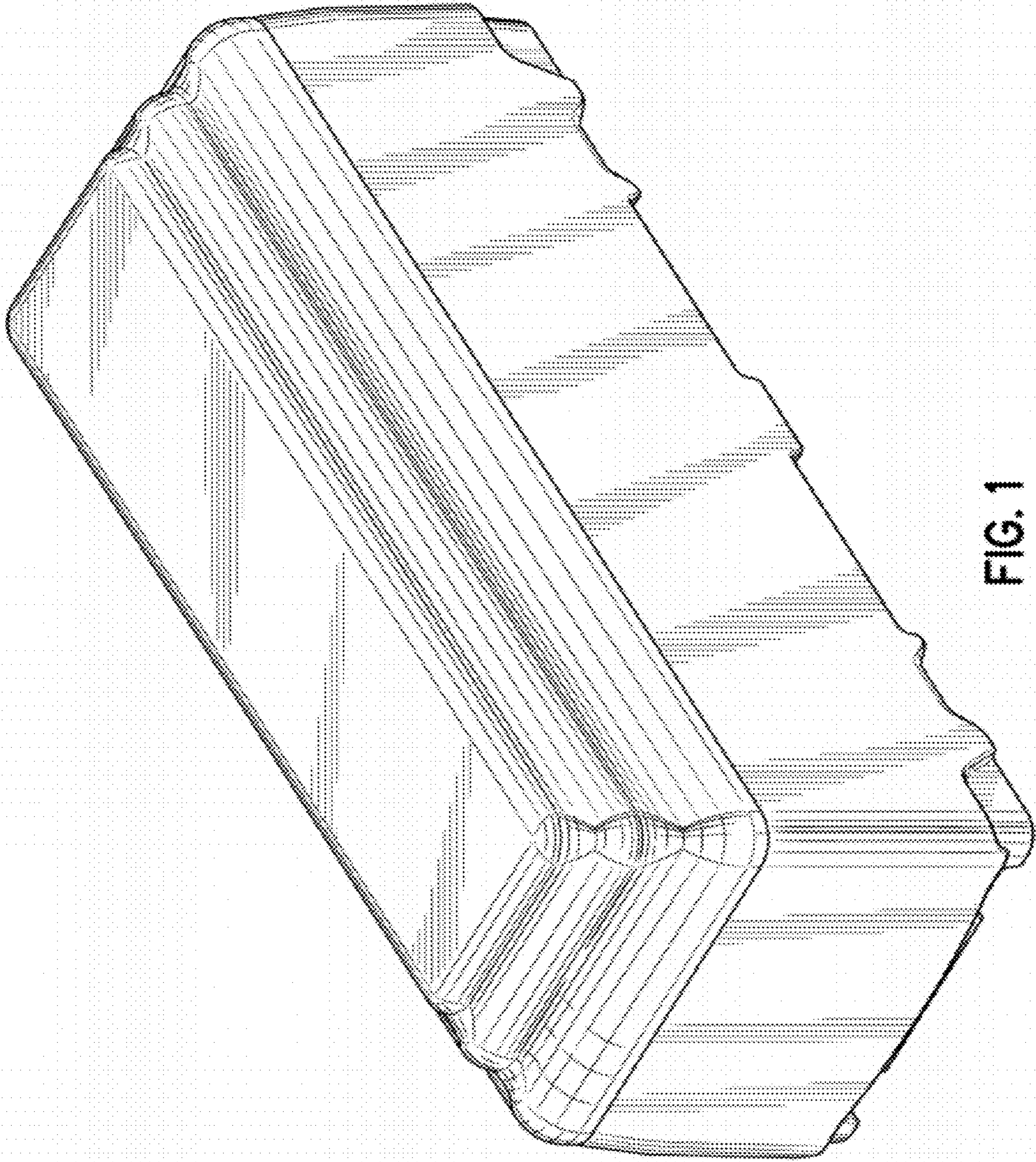


FIG. 1

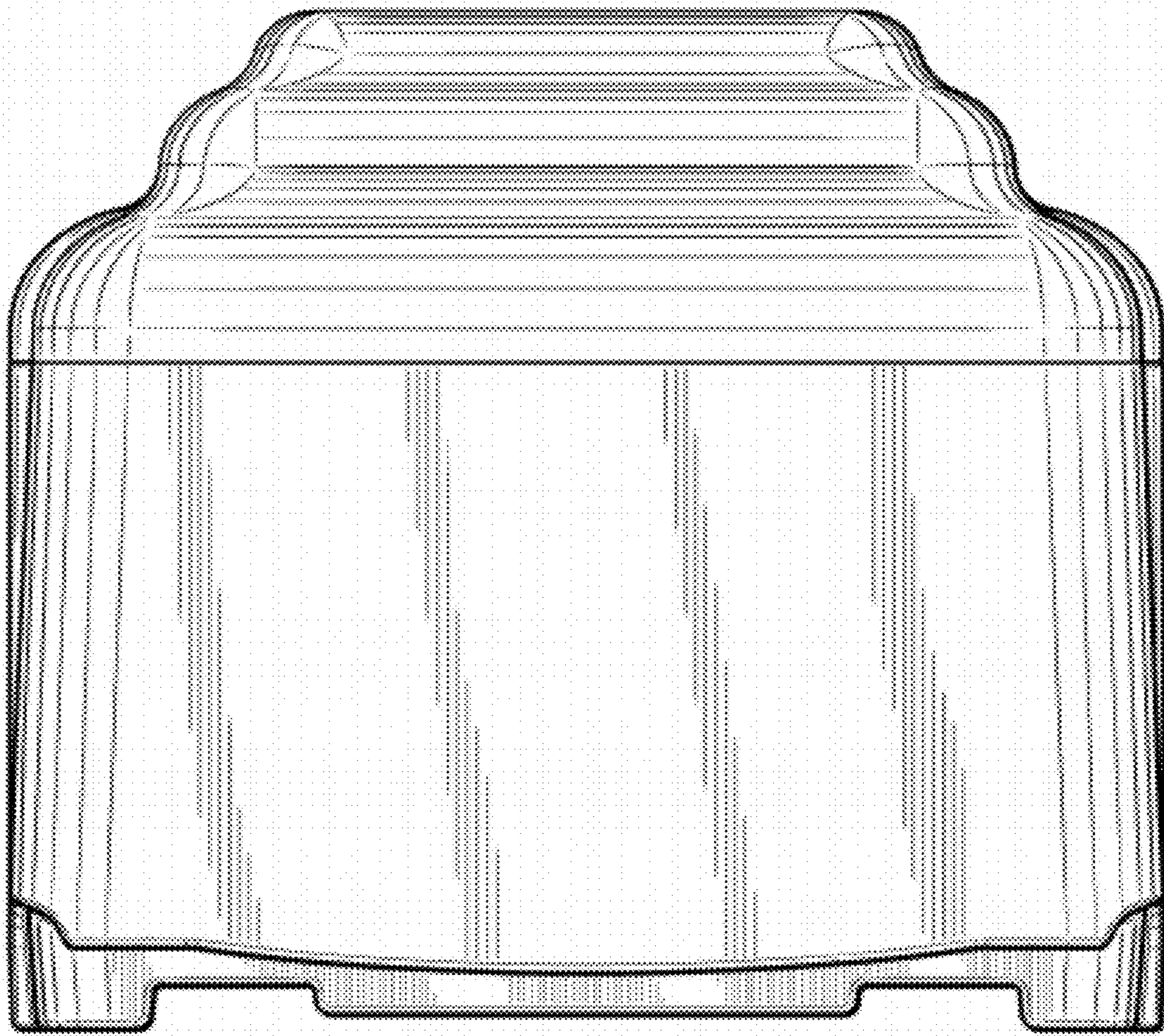


FIG. 2

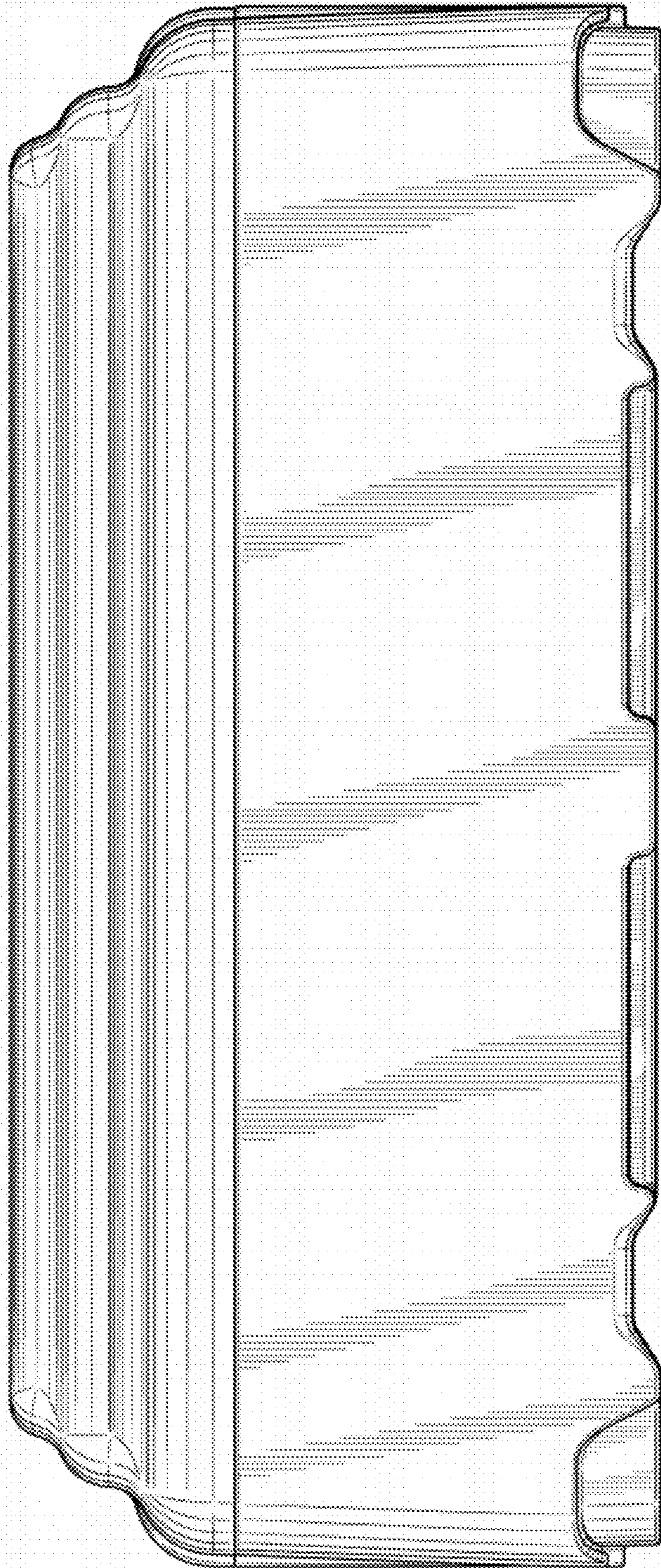


FIG. 3

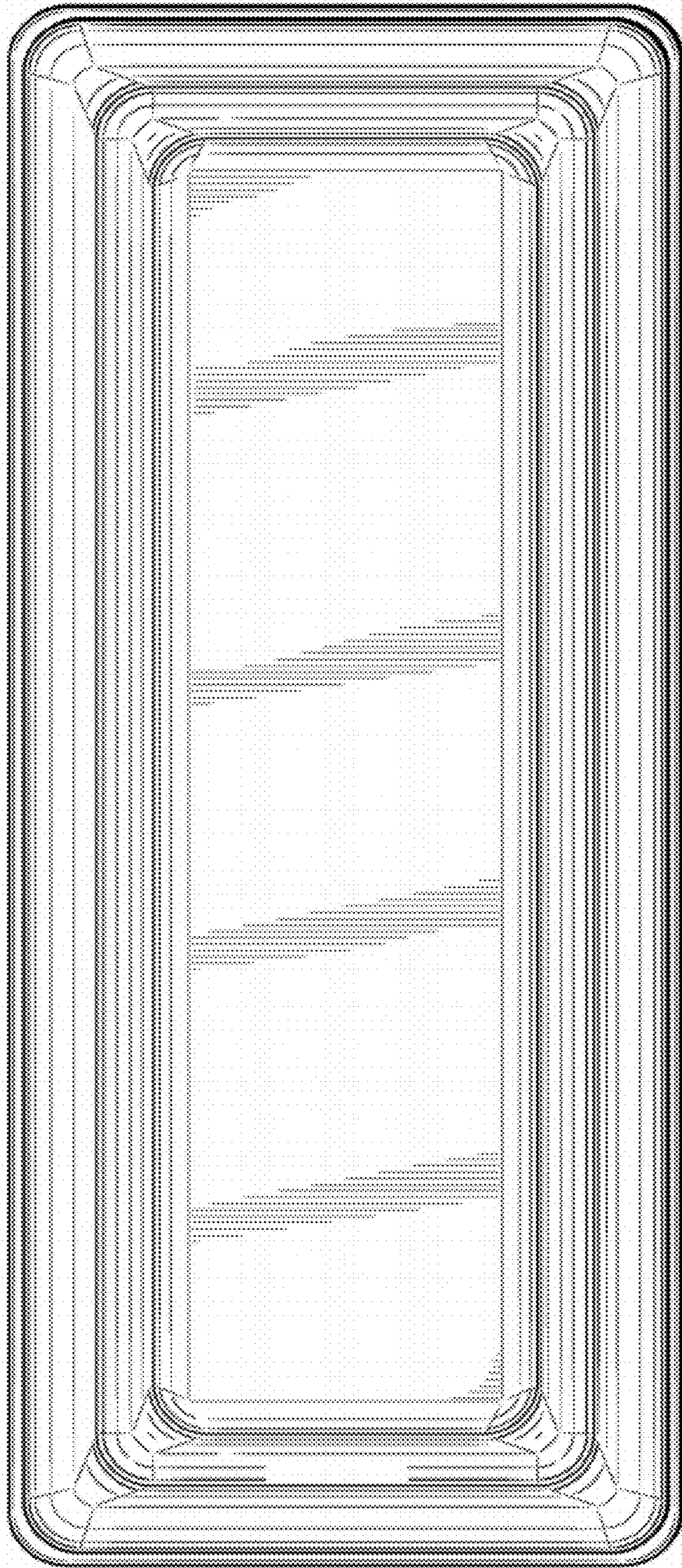


FIG. 4

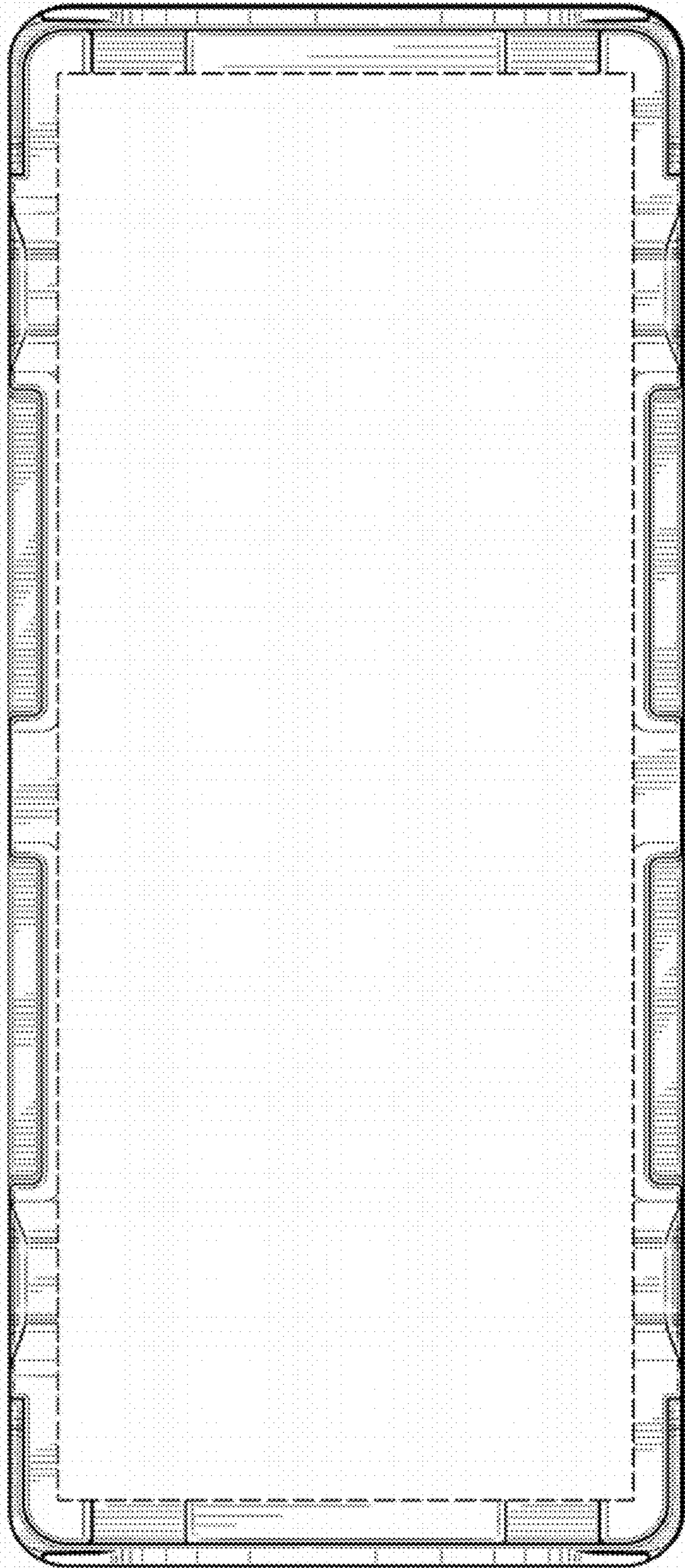


FIG. 5