

US00D662684S

(12) **United States Design Patent**  
**Edwards**

(10) **Patent No.:** **US D662,684 S**

(45) **Date of Patent:** **\*\* Jun. 26, 2012**

(54) **TOMBSTONE SLEEVE**

(76) Inventor: **Greg Edwards**, Springdale, AR (US)

(\*\*) Term: **14 Years**

(21) Appl. No.: **29/372,020**

(22) Filed: **Oct. 4, 2010**

(51) **LOC (9) Cl.** ..... **25-03**

(52) **U.S. Cl.** ..... **D99/17**

(58) **Field of Classification Search** ..... D99/17,  
D99/18, 20, 28; 27/1, 30; 40/124.5; 52/103,  
52/104

See application file for complete search history.

D112,063 S \* 11/1938 Grieve ..... D99/17  
D156,444 S \* 12/1949 Lewis ..... D99/20  
2,525,091 A \* 10/1950 Brownawell ..... 52/103  
D257,859 S \* 1/1981 Hoffman ..... D21/350  
5,371,984 A \* 12/1994 Taylor ..... 52/103  
D367,146 S \* 2/1996 Ha ..... D99/20  
7,993,722 B2 \* 8/2011 Sturley ..... 428/67

\* cited by examiner

*Primary Examiner* — Paula Greene

(74) *Attorney, Agent, or Firm* — Keisling & Pieper PLC;  
David B. Pieper

(57) **CLAIM**

The ornamental design for a tombstone sleeve, as shown and described.

**DESCRIPTION**

FIG. 1 is a perspective view of a tombstone sleeve showing my new design;

FIG. 2 is a perspective view thereof, the broken lines form no part of the claimed design;

FIG. 3 is a top view thereof;

FIG. 4 is a front view thereof, the back view being the same; and,

FIG. 5 is a left side view thereof, the right side view being the same; and,

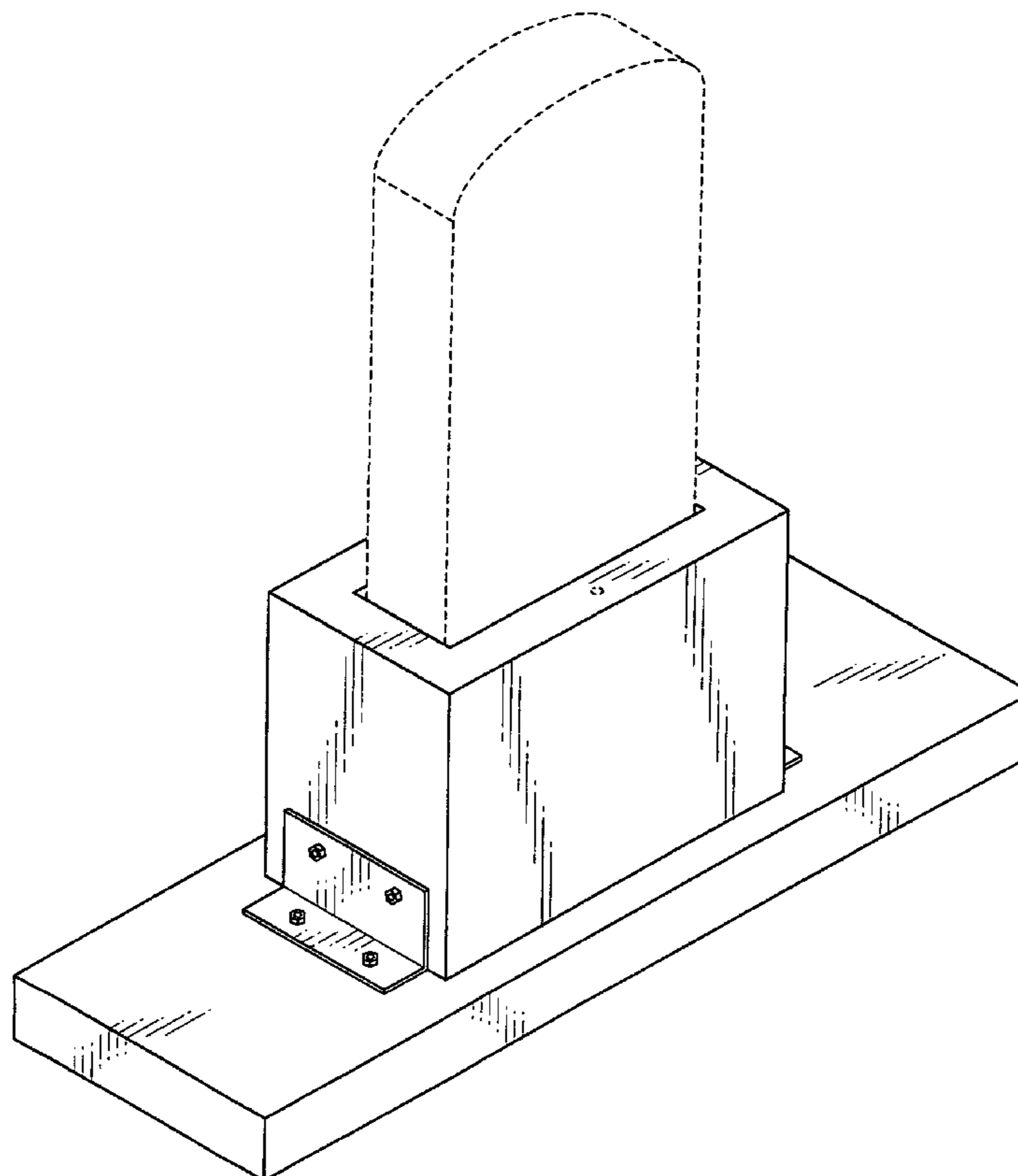
FIG. 6 is a bottom view thereof.

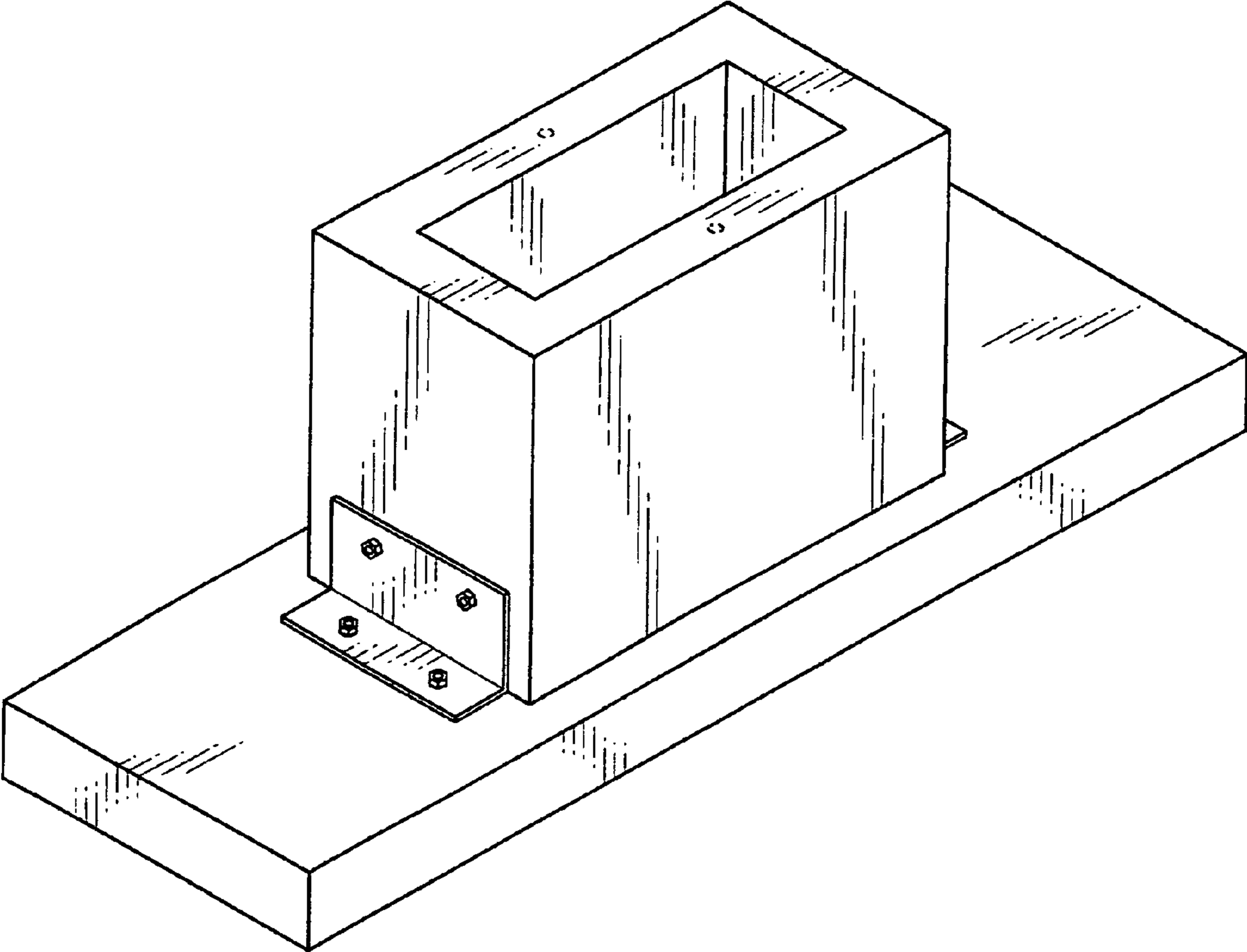
(56) **References Cited**

**U.S. PATENT DOCUMENTS**

214,339	A *	4/1879	Wimer	.....	52/104
510,696	A *	12/1893	Mease	.....	52/102
809,616	A *	1/1906	Howard	.....	52/102
1,256,337	A *	2/1918	Lieber	.....	248/473
1,397,483	A *	11/1921	Brown	.....	52/103
1,492,048	A *	4/1924	Reilly	.....	52/103
D72,623	S *	5/1927	Ladewich	.....	D99/17
1,773,391	A *	8/1930	Cooney	.....	27/30
D86,980	S *	5/1932	Roberts	.....	D99/20
D104,741	S *	6/1937	Grubbs	.....	D99/17
2,084,521	A *	6/1937	Compton	.....	52/103
2,094,129	A *	9/1937	Manahan	.....	47/41.1

**1 Claim, 4 Drawing Sheets**





*FIG. 1*

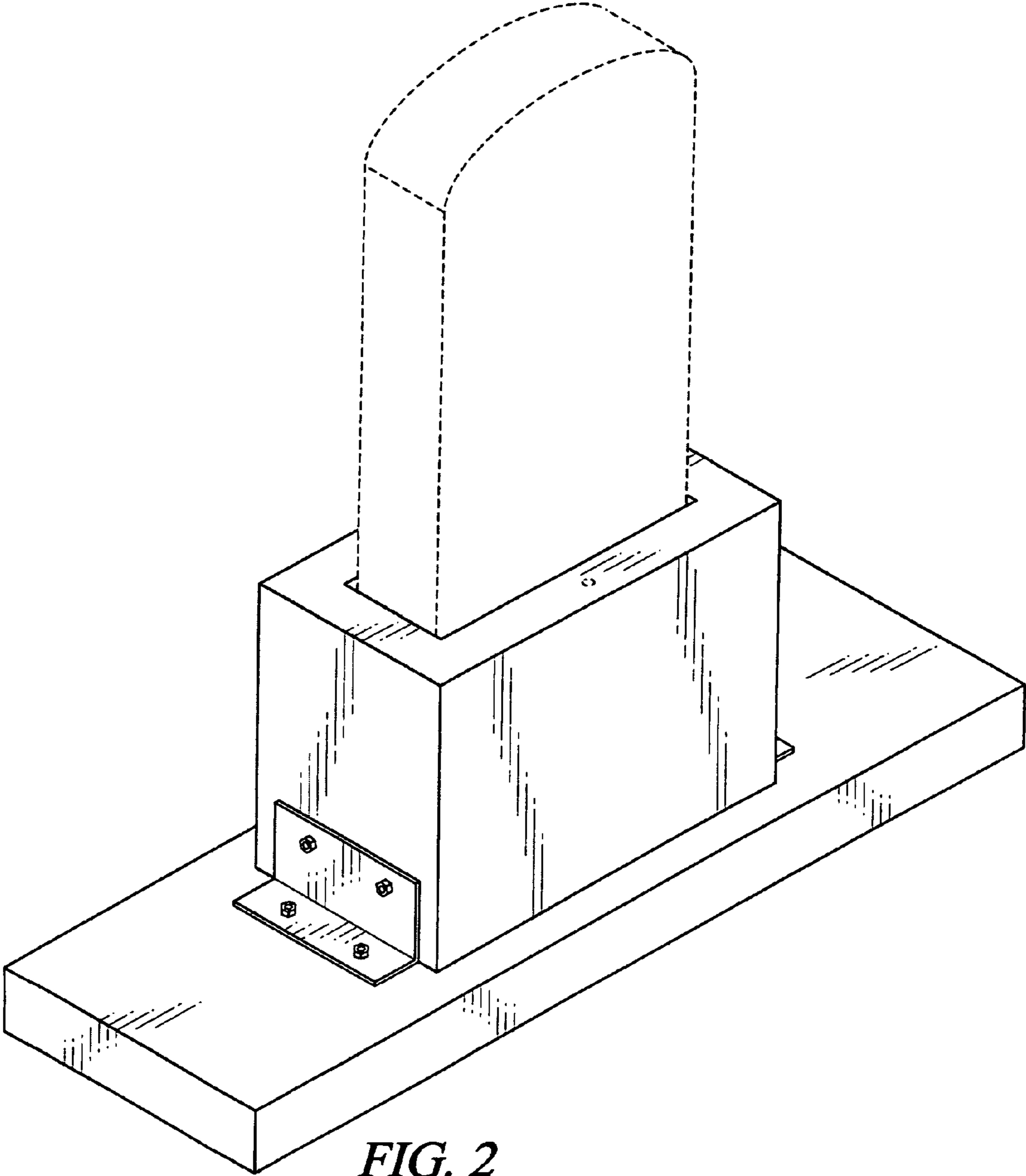
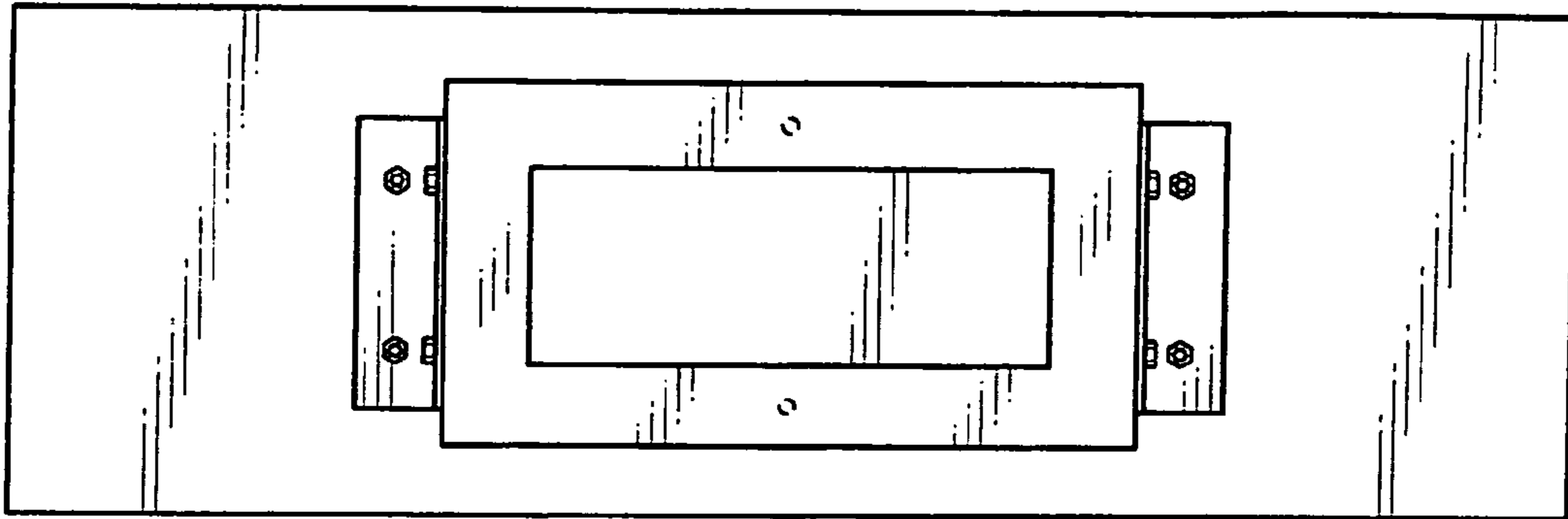
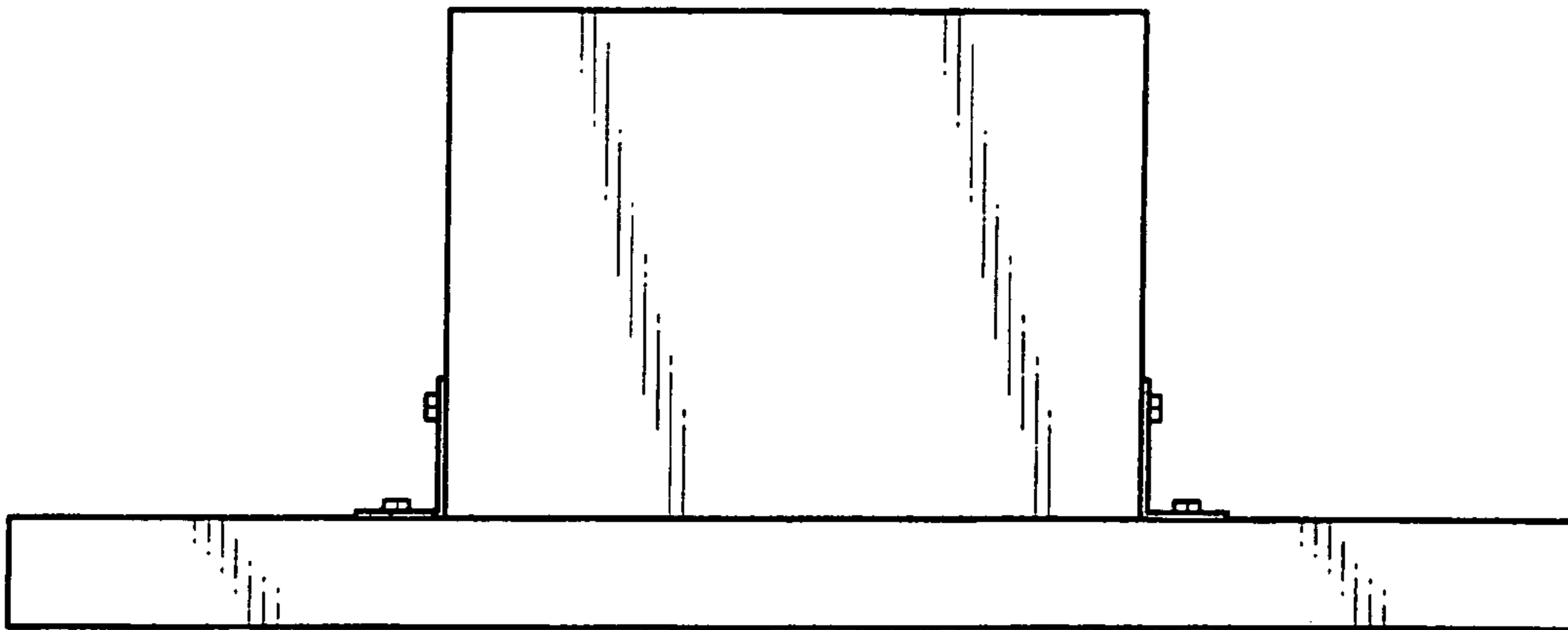


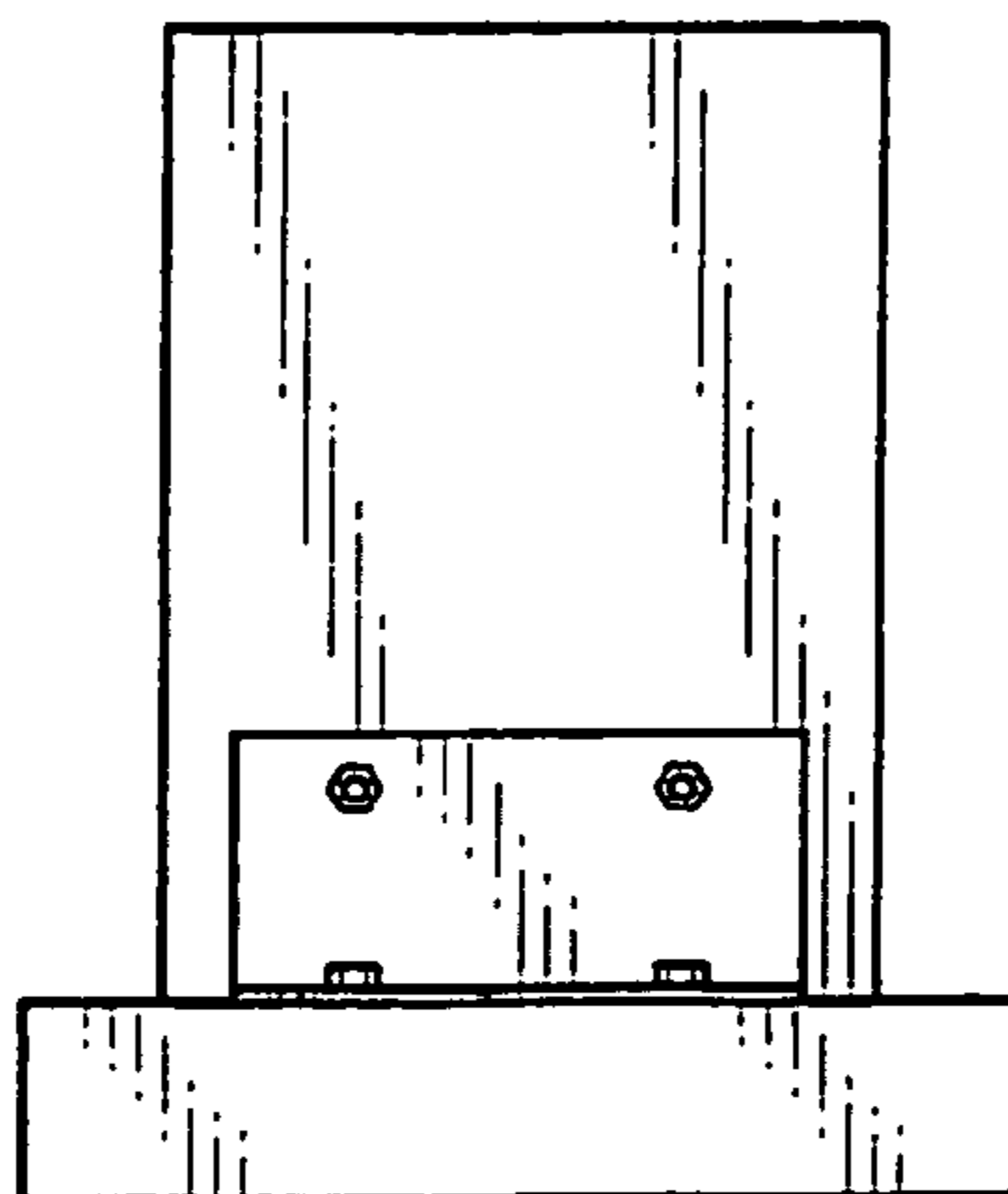
FIG. 2



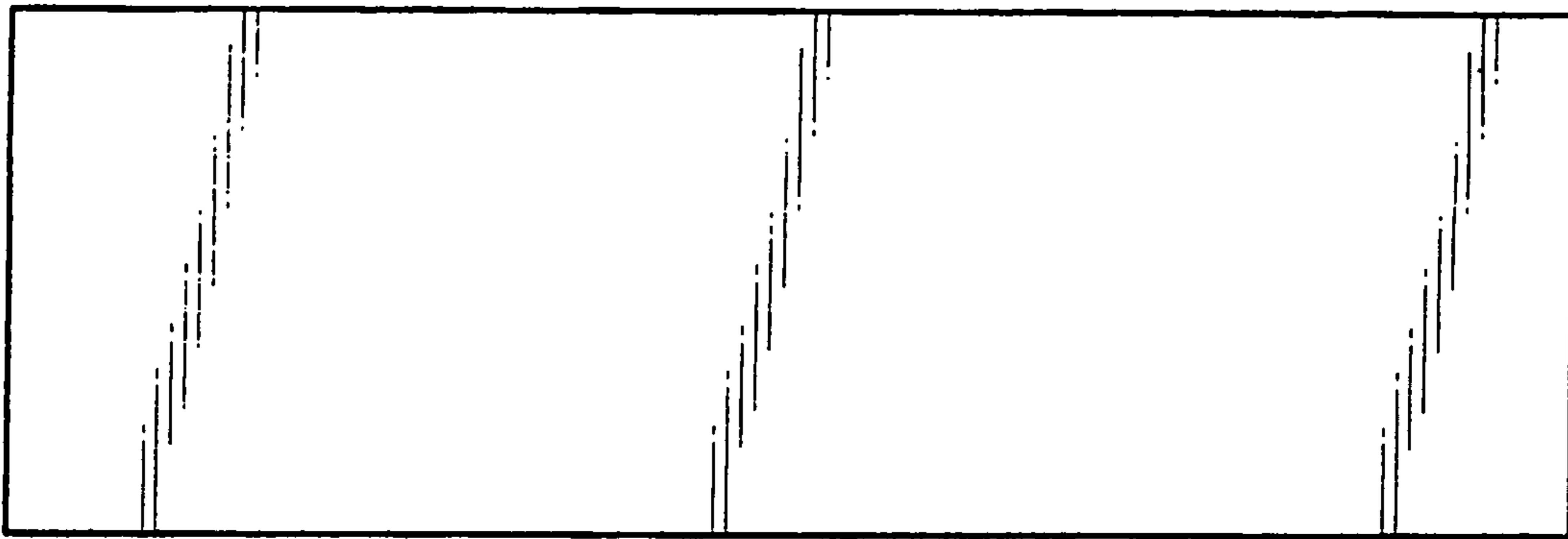
*FIG. 3*



*FIG. 4*



*FIG. 5*



*FIG. 6*