

US00D662682S

(12) **United States Design Patent**
Maini et al.

(10) **Patent No.:** **US D662,682 S**
(45) **Date of Patent:** **** Jun. 26, 2012**

(54) **BOOM FOR THE DISTRIBUTION OF CONCRETE, OR SIMILAR ARTICLE**

(75) Inventors: **Paolo Dario Maini**, Monza (IT);
Alessandro Macera, Como (IT)

(73) Assignee: **CIFA SpA**, Senago (IT)

(**) Term: **14 Years**

(21) Appl. No.: **29/389,737**

(22) Filed: **Apr. 15, 2011**

(30) **Foreign Application Priority Data**

Oct. 19, 2010 (EM) 1240329-0001

(51) **LOC (9) Cl.** **12-05**

(52) **U.S. Cl.** **D34/36**

(58) **Field of Classification Search** D34/28,
D34/29, 35, 36; 403/334, 109.1, 109.2, 109.3;
182/2.4, 2.9, 46; 198/523; 193/2 R
See application file for complete search history.

(56) **References Cited**

U.S. PATENT DOCUMENTS

3,087,581	A	4/1963	Pitman	
3,169,602	A *	2/1965	Myers	182/46
3,439,819	A *	4/1969	Quanbeck	414/526
3,757,895	A *	9/1973	Knutson	182/46
3,891,056	A *	6/1975	Ashworth	182/148
3,947,191	A	3/1976	Milner, Jr.	
D282,304	S *	1/1986	Bickley	D34/36
D299,179	S *	12/1988	Bernabe, Jr.	D34/36
5,056,641	A *	10/1991	Loefke et al.	193/2 R

5,184,706	A *	2/1993	Christenson	193/2 R
D346,474	S *	4/1994	Lindgren	D34/35
6,793,024	B2 *	9/2004	Albertson et al.	173/184
6,810,993	B2 *	11/2004	Promersberger et al.	182/2.9
6,918,481	B2 *	7/2005	Quigley et al.	193/6
2008/0230346	A1 *	9/2008	Kohler	193/2 R

FOREIGN PATENT DOCUMENTS

EP	2 039 498	A2	3/2009
JP	2002-46993	A	2/2002

* cited by examiner

Primary Examiner — Cynthia Ramirez

(74) *Attorney, Agent, or Firm* — Hamre, Schumann, Mueller & Larson, P.C.

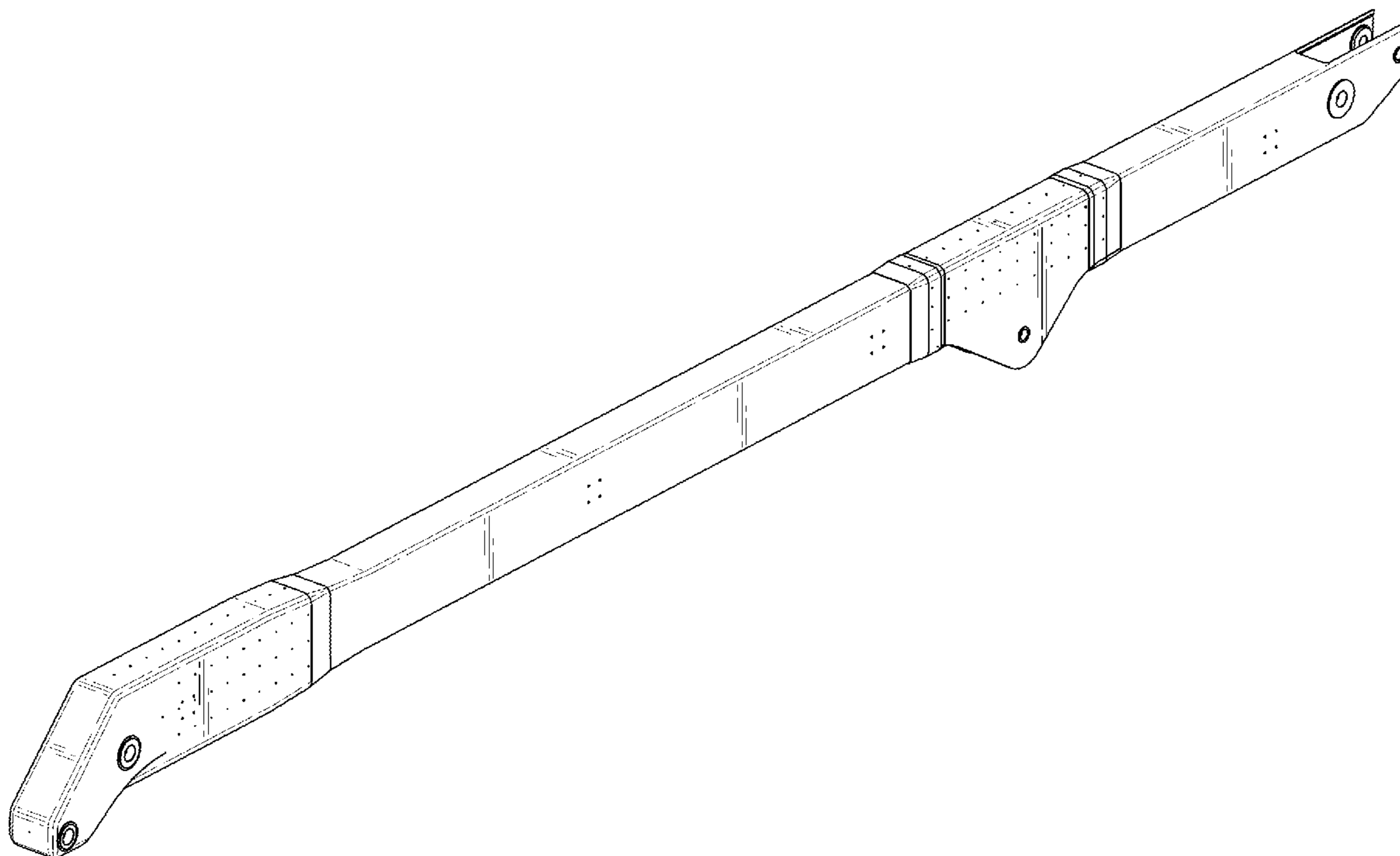
(57) **CLAIM**

The ornamental design for a boom for the distribution of concrete or similar article, as shown and described.

DESCRIPTION

FIG. 1 is a first perspective view of a boom for the distribution of concrete or similar article showing our new design; FIG. 2 is a second perspective view thereof; FIG. 3 is a front view of one end thereof; FIG. 4 is a front view of the other end thereof; FIG. 5 is a back view of one end thereof; FIG. 6 is a back view of the other end thereof; FIG. 7 is the right side view of one end thereof; FIG. 8 is a right side view of the other end thereof; FIG. 9 is a left side view of one end thereof; and, FIG. 10 is a left side view of the other end thereof. The boom is shown broken away in FIGS. 3 through 10 for convenience of illustration.

1 Claim, 10 Drawing Sheets



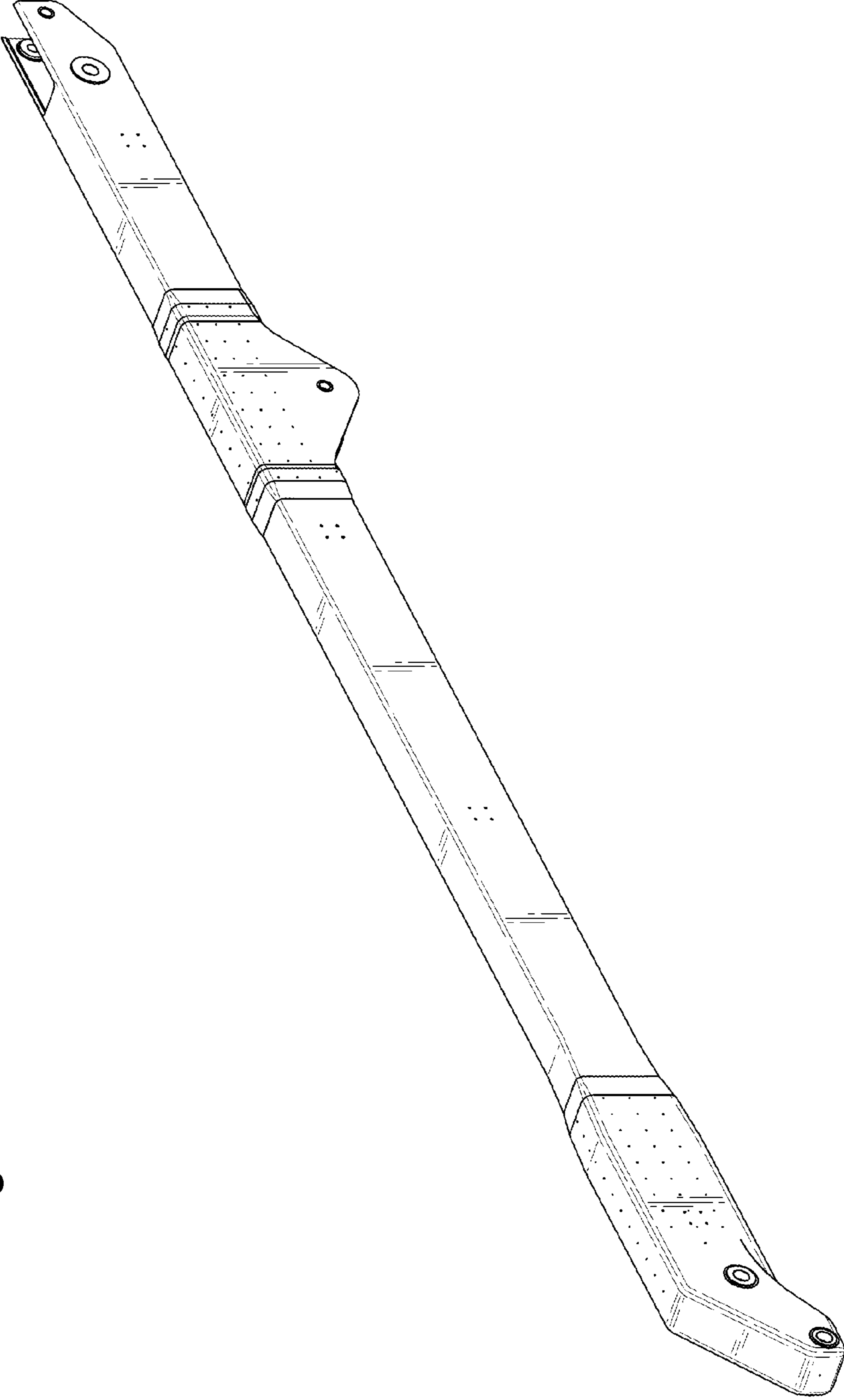


Fig. 1

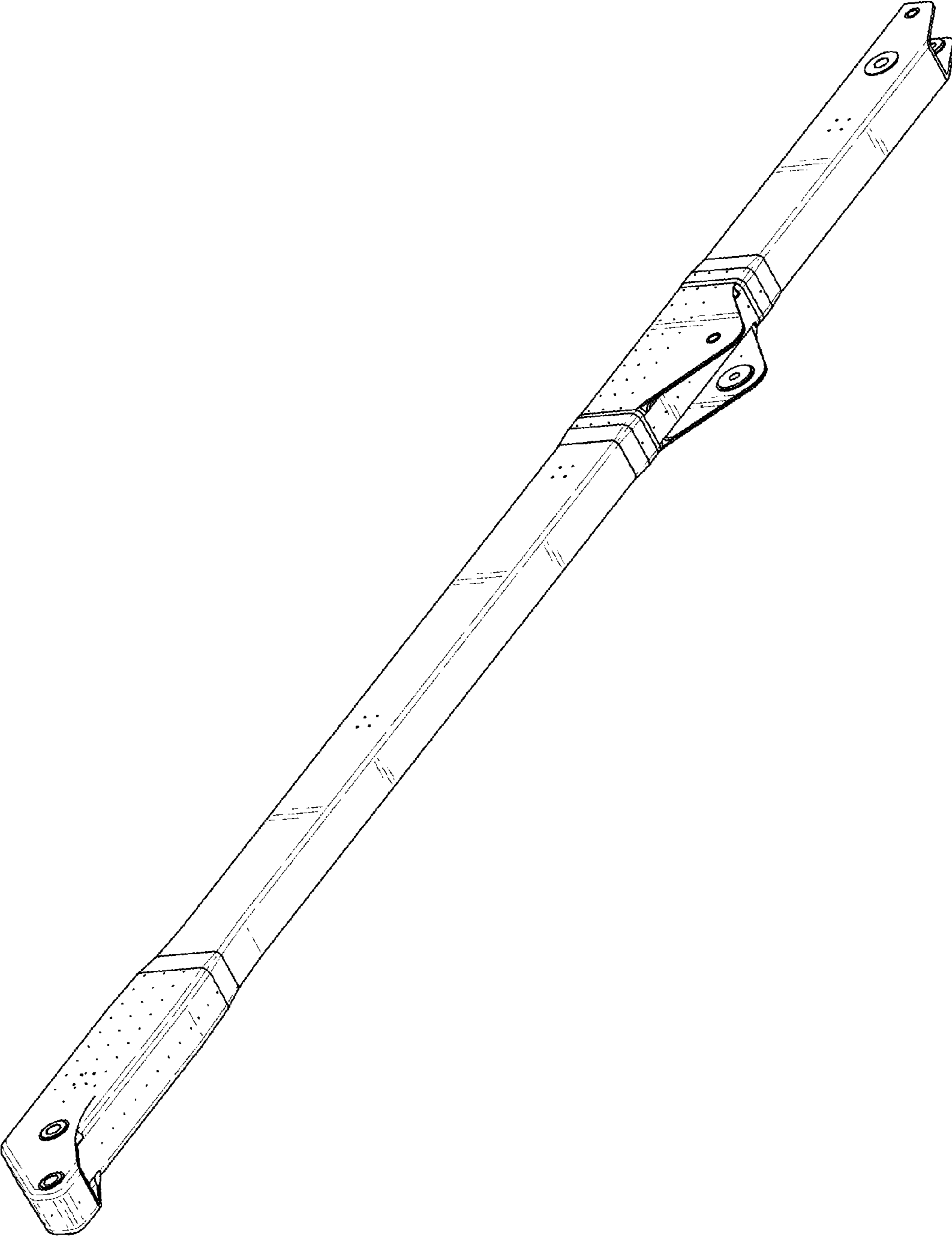


Fig. 2

Fig. 3

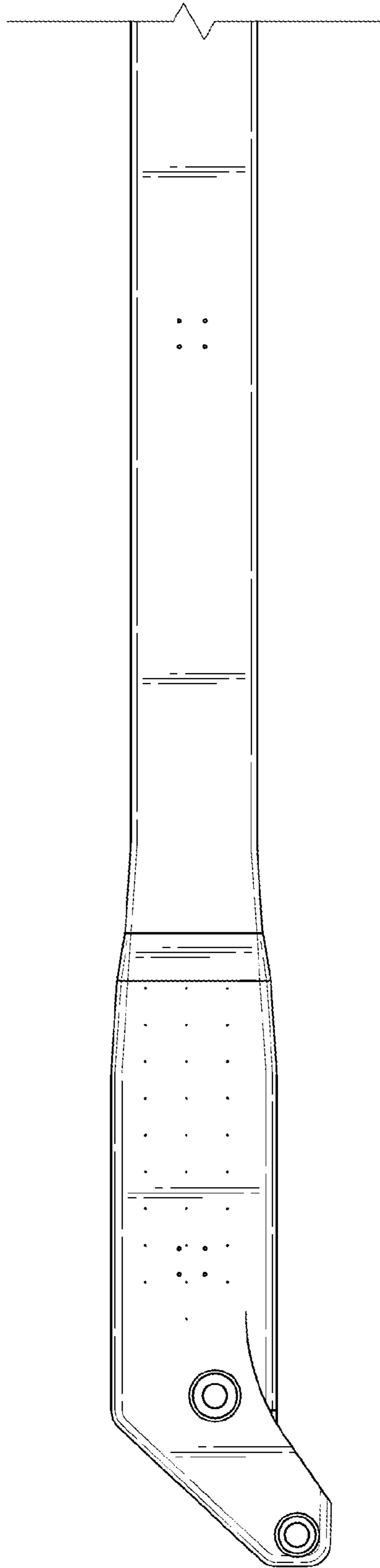


Fig. 4

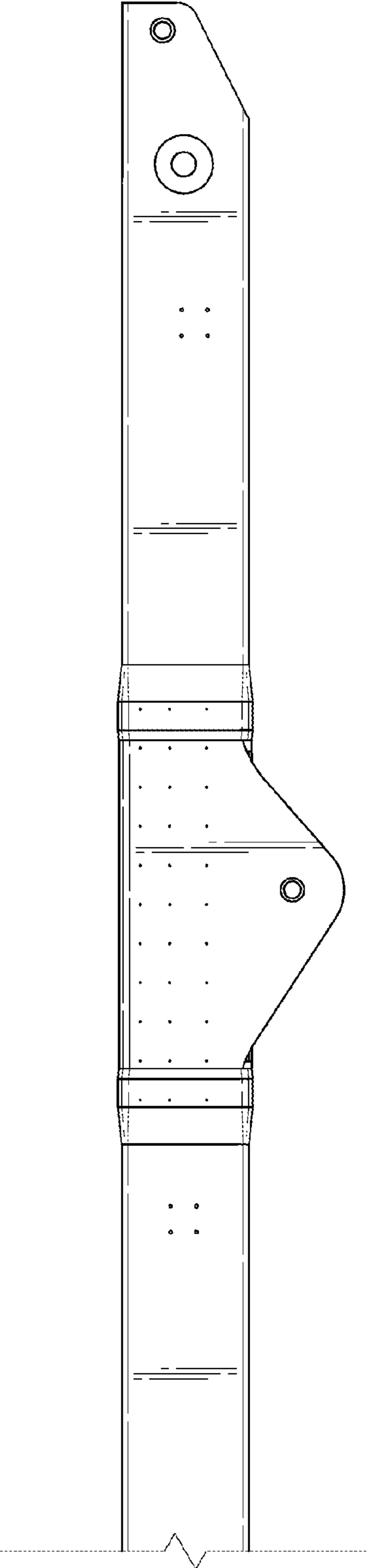


Fig. 5

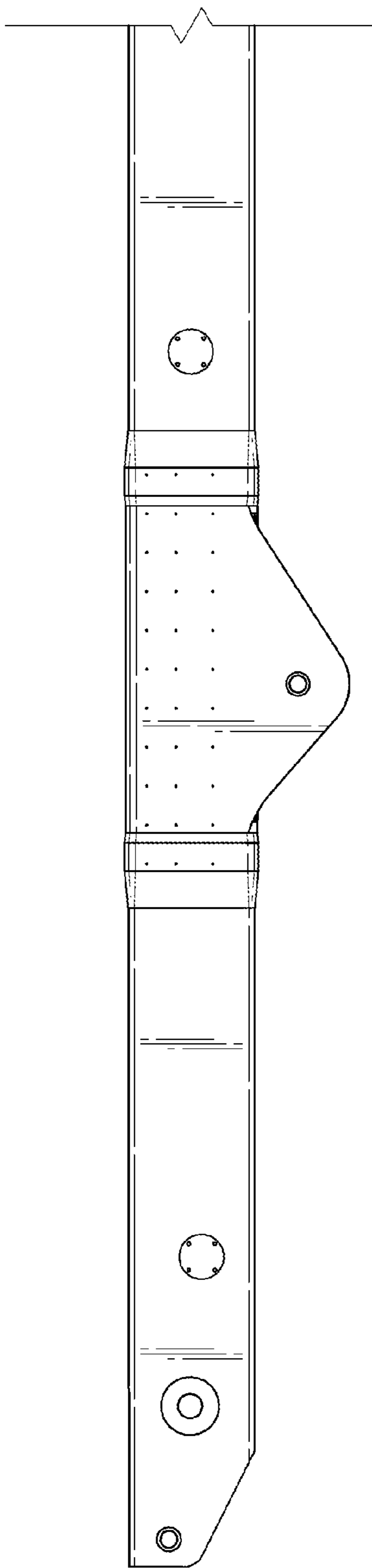
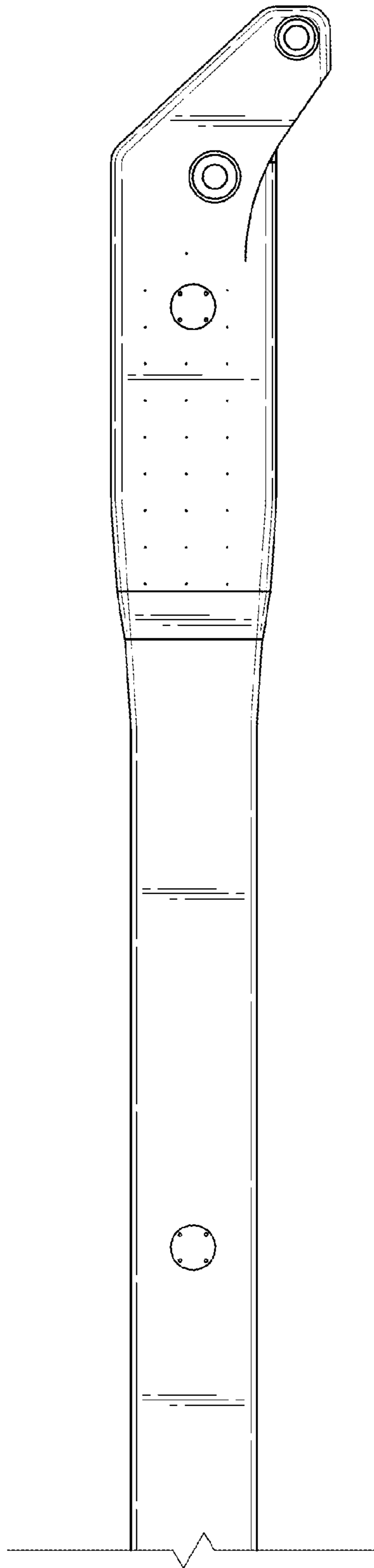


Fig. 6



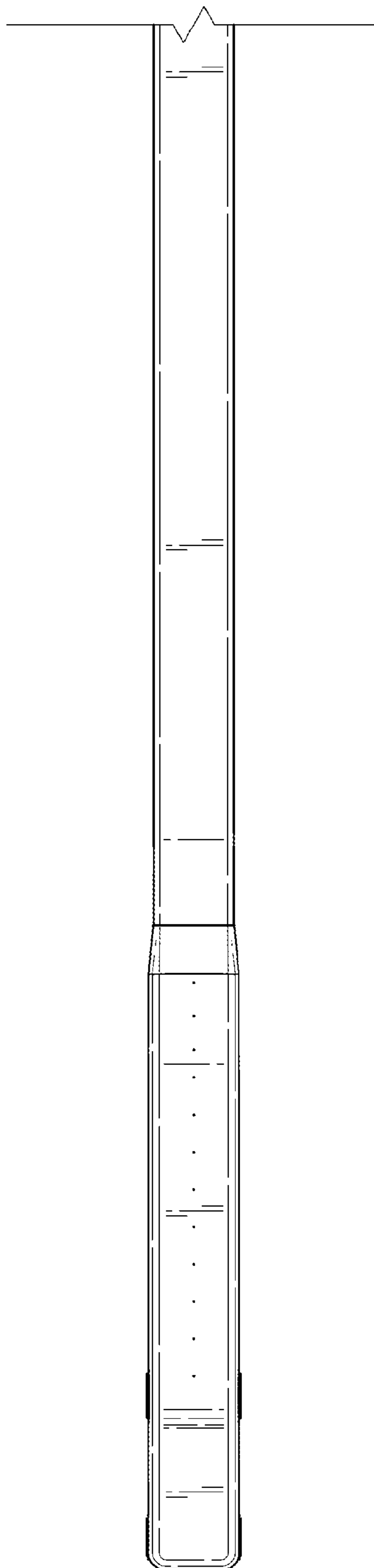
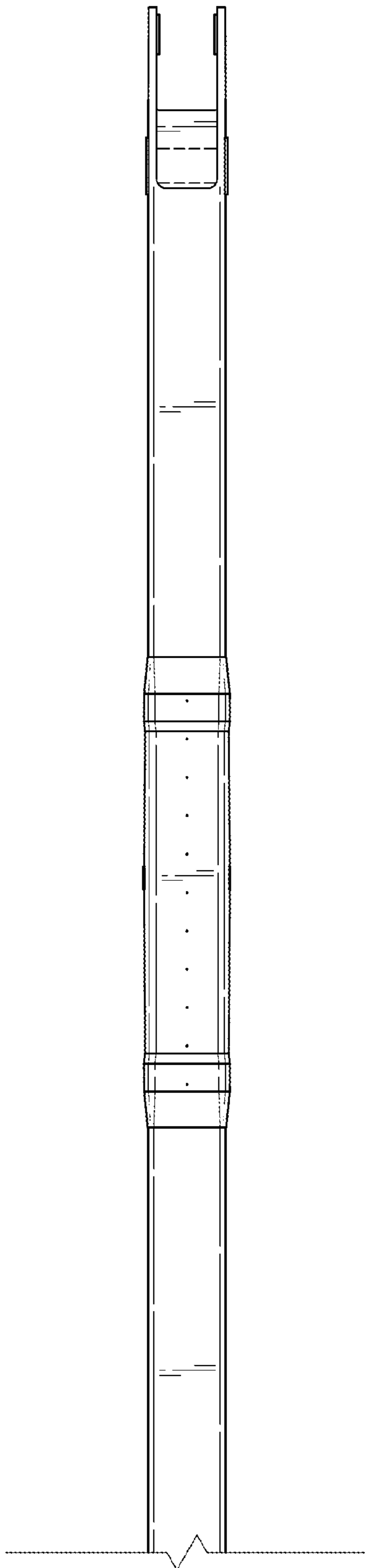


Fig. 7

Fig. 8



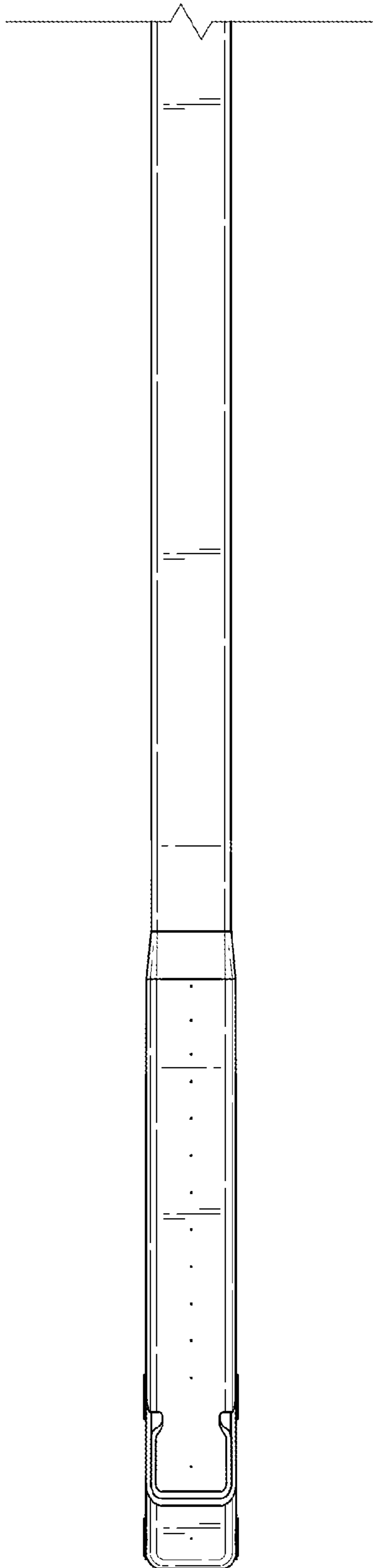


Fig. 9

Fig. 10

