



US00D662680S

(12) **United States Design Patent**
Owens et al.

(10) **Patent No.:** **US D662,680 S**

(45) **Date of Patent:** **** Jun. 26, 2012**

(54) **LOADING RACK**

(76) Inventors: **Edward P. Owens**, Reno, NV (US);
David Neal Mulligan, Reno, NV (US)

(**) Term: **14 Years**

(21) Appl. No.: **29/393,476**

(22) Filed: **Jun. 5, 2011**

(51) **LOC (9) Cl.** **12-05**

(52) **U.S. Cl.** **D34/28**

(58) **Field of Classification Search** D34/28,
D34/33, 35; 414/462; 212/277, 180, 306;
396/3, 7; 254/323, 326, 328, 325, 266; 452/187,
452/189

See application file for complete search history.

(56) **References Cited**

U.S. PATENT DOCUMENTS

2,747,754	A *	5/1956	Maynard	414/541
2,902,183	A *	9/1959	Dodge	414/459
3,276,610	A *	10/1966	Thatcher	414/541
3,829,064	A *	8/1974	Jackson	254/323
3,918,592	A *	11/1975	Paul	254/390
3,945,517	A *	3/1976	Carley	414/559
4,050,587	A *	9/1977	Moen	212/301
4,468,004	A *	8/1984	Shaver et al.	254/325
4,597,562	A *	7/1986	Joyce	254/334
4,854,628	A *	8/1989	Halberg	296/3
4,928,927	A *	5/1990	Fredrick et al.	254/279

6,655,722	B2 *	12/2003	Bareket	296/3
7,878,484	B2 *	2/2011	Kitchens, Sr.	254/326
7,992,732	B2 *	8/2011	Demiany et al.	212/180
2009/0152227	A1 *	6/2009	Thompson et al.	212/348
2009/0173708	A1 *	7/2009	Demiany et al.	212/180
2010/0072442	A1 *	3/2010	Bolton	254/325
2010/0200822	A1 *	8/2010	Kitchens, Sr.	254/326
2011/0147531	A1 *	6/2011	Bosqueiro et al.	244/137.1

* cited by examiner

Primary Examiner — Cynthia Ramirez

(74) *Attorney, Agent, or Firm* — David M. Lang; Law Offices of David M. Lang

(57) **CLAIM**

The ornamental design for a loading rack, as shown and described.

DESCRIPTION

FIG. 1 is a front view of a loading rack showing our new design;

FIG. 2 is a rear view thereof;

FIG. 3 is a left side view thereof;

FIG. 4 is a top view thereof;

FIG. 5 is a bottom view thereof;

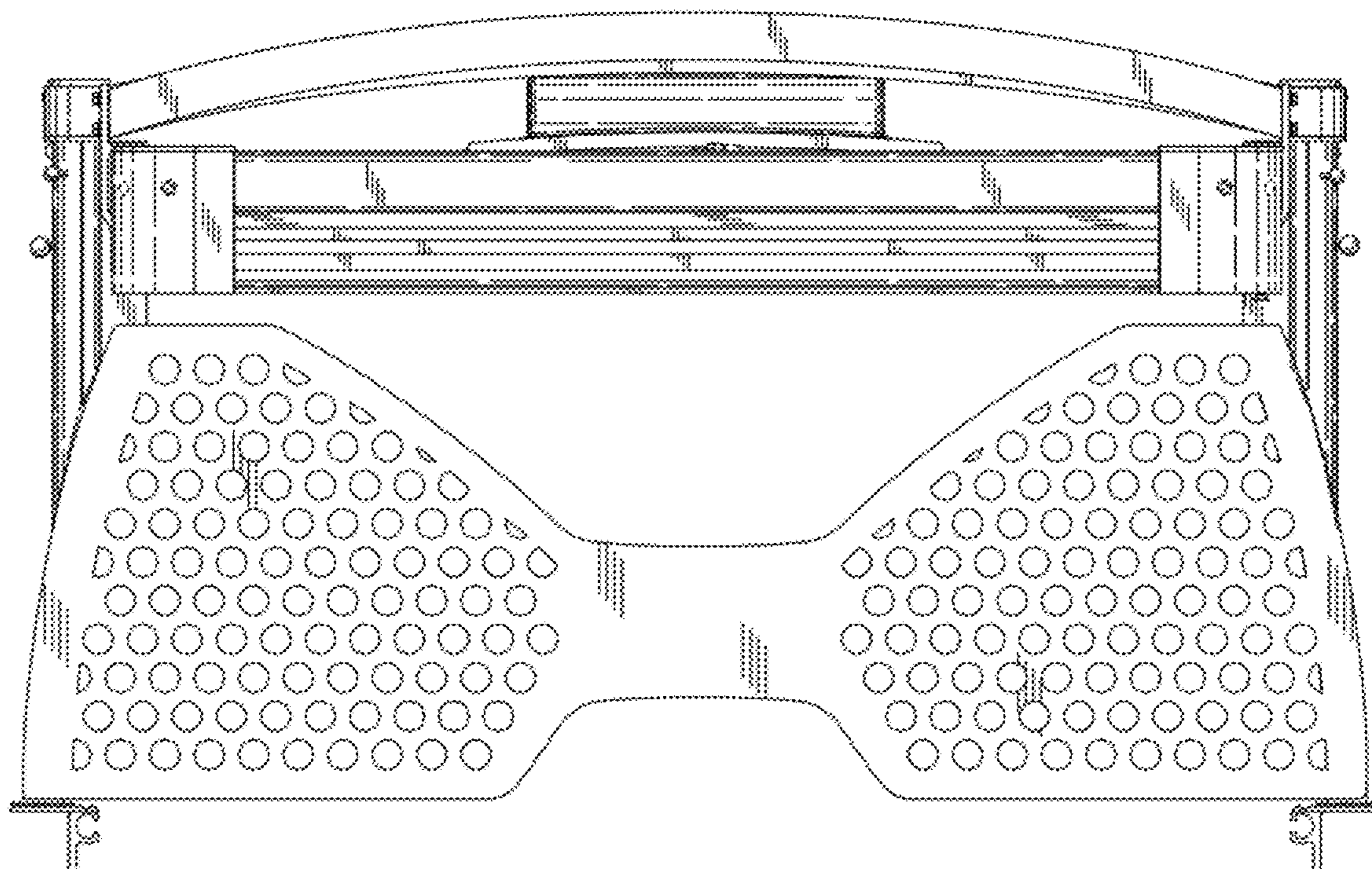
FIG. 6 is a perspective view thereof;

FIG. 7 is a perspective view shown in an extended position; and,

FIG. 8 is a perspective view shown in a stowed position.

The broken lines shown in the drawings represent portions of the loading rack that form no part of the claimed design.

1 Claim, 8 Drawing Sheets



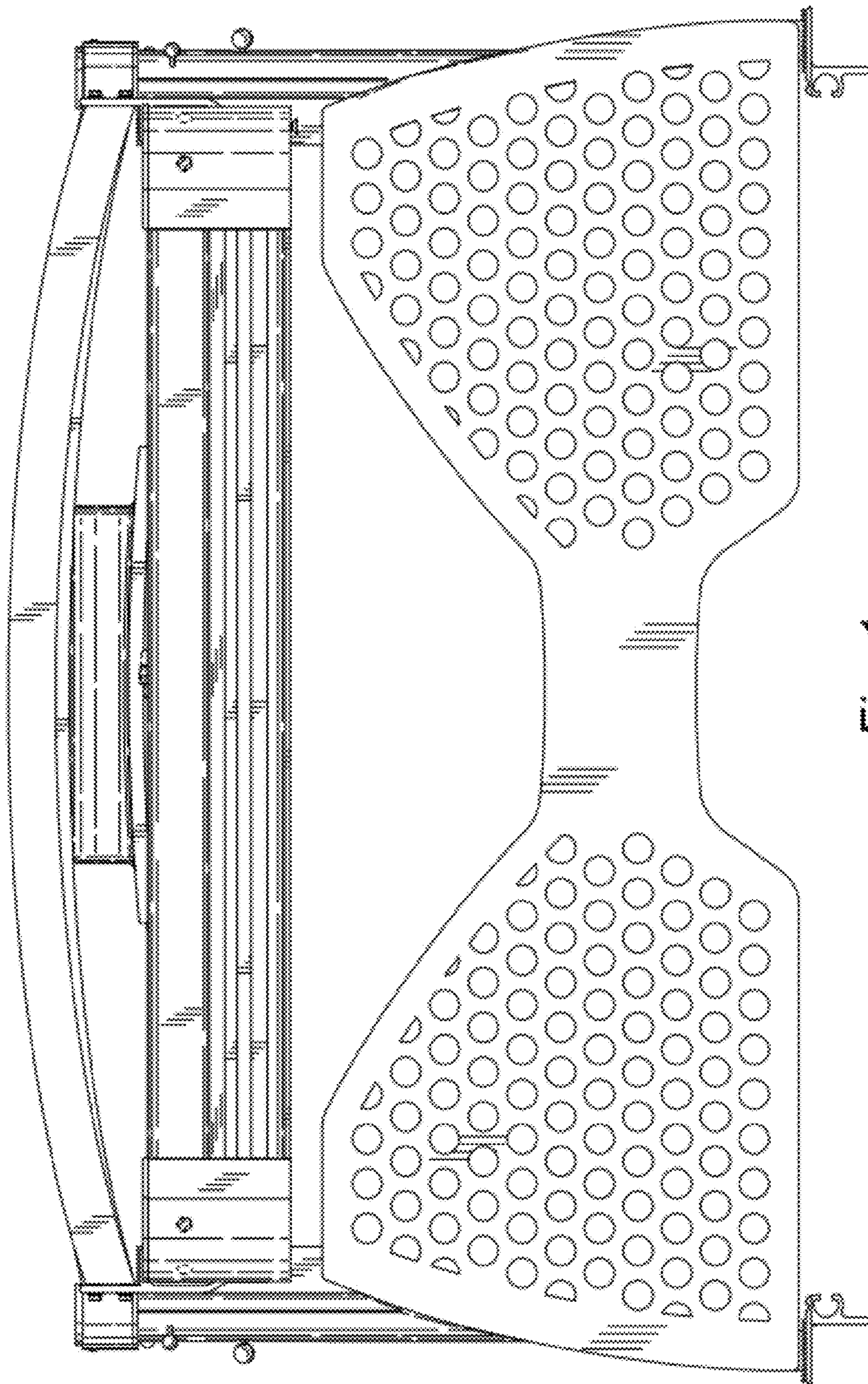


Fig. 1

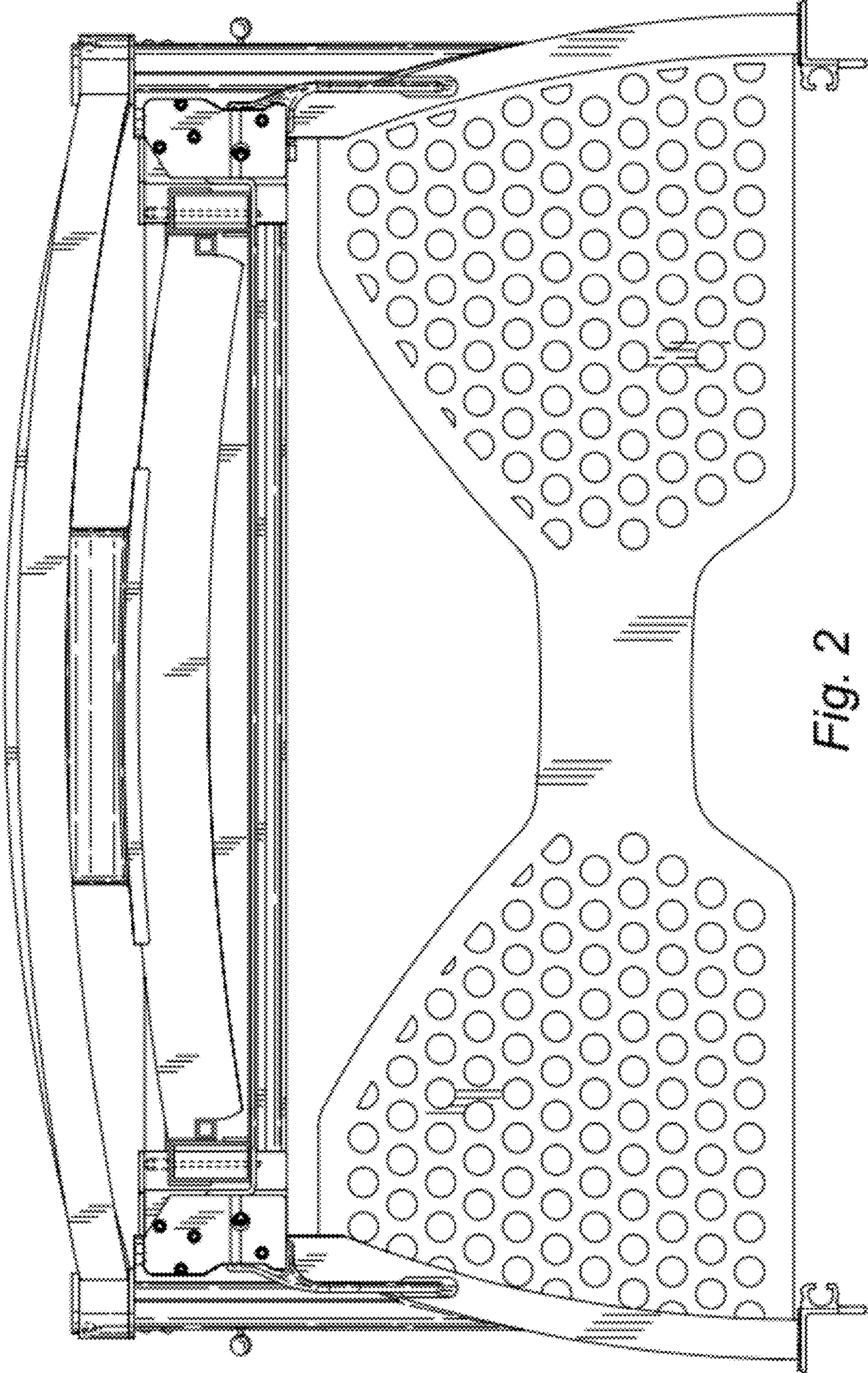


Fig. 2

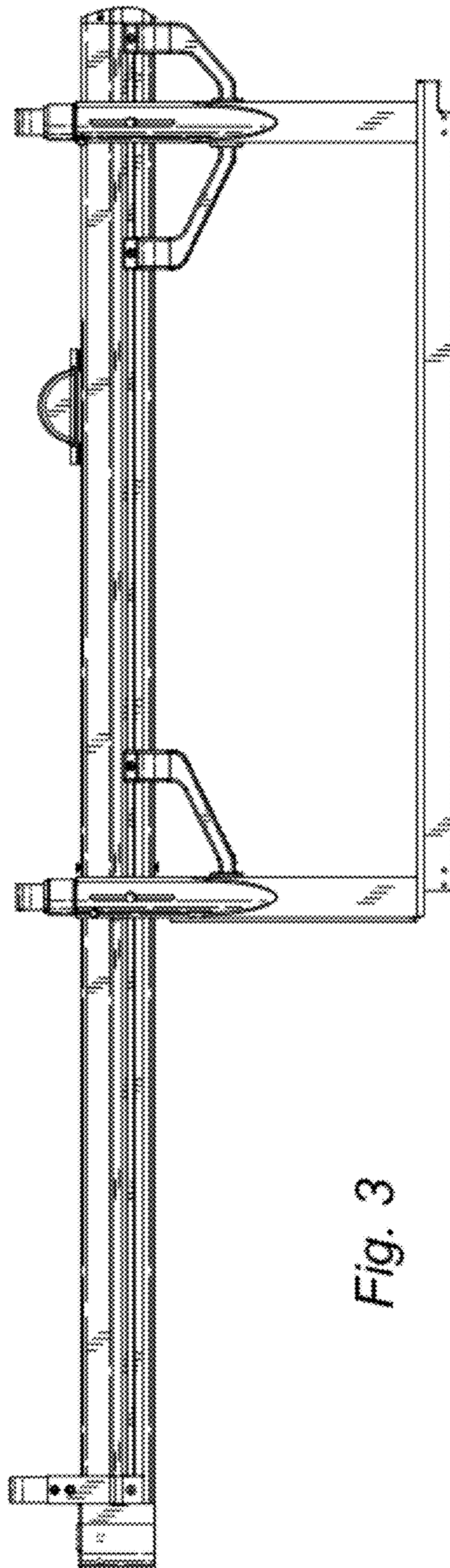


Fig. 3

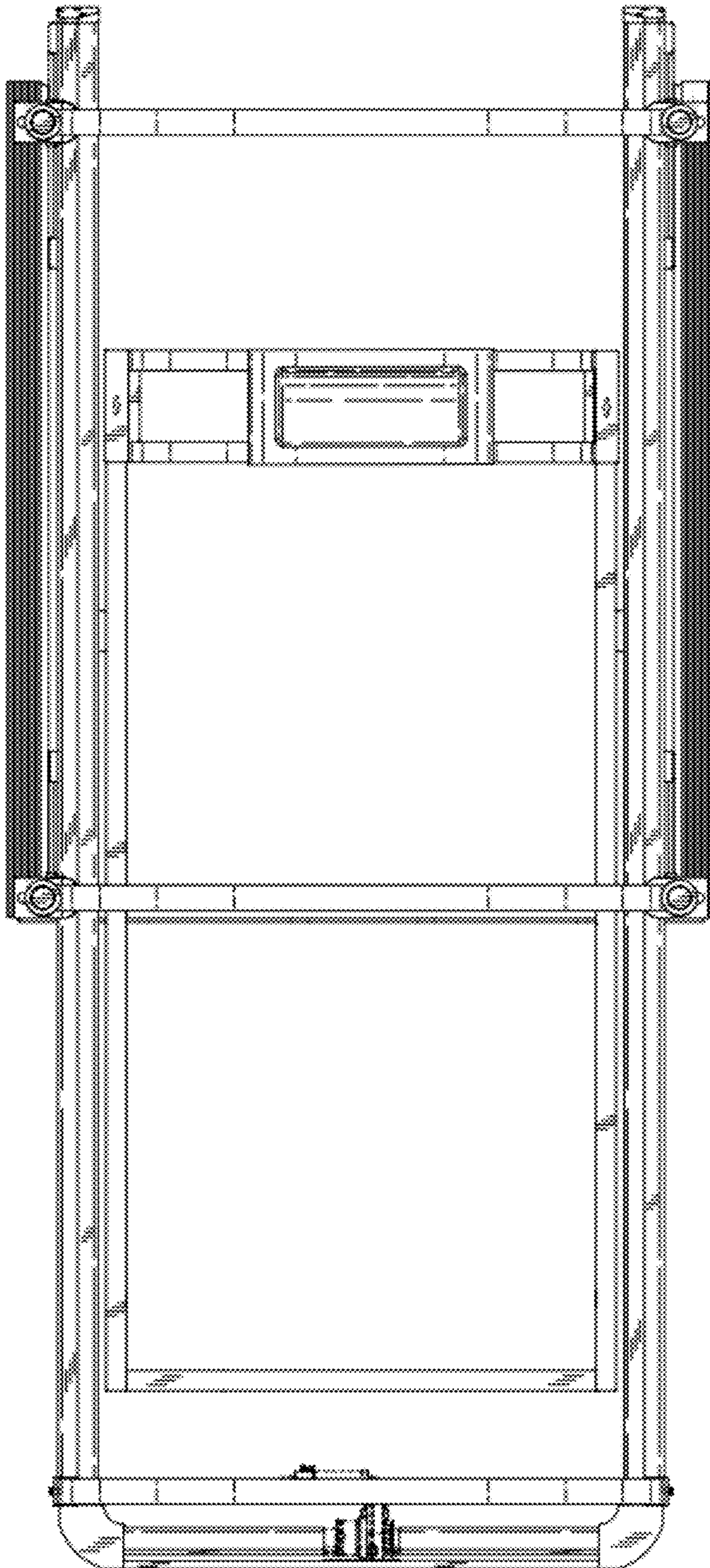


Fig. 4

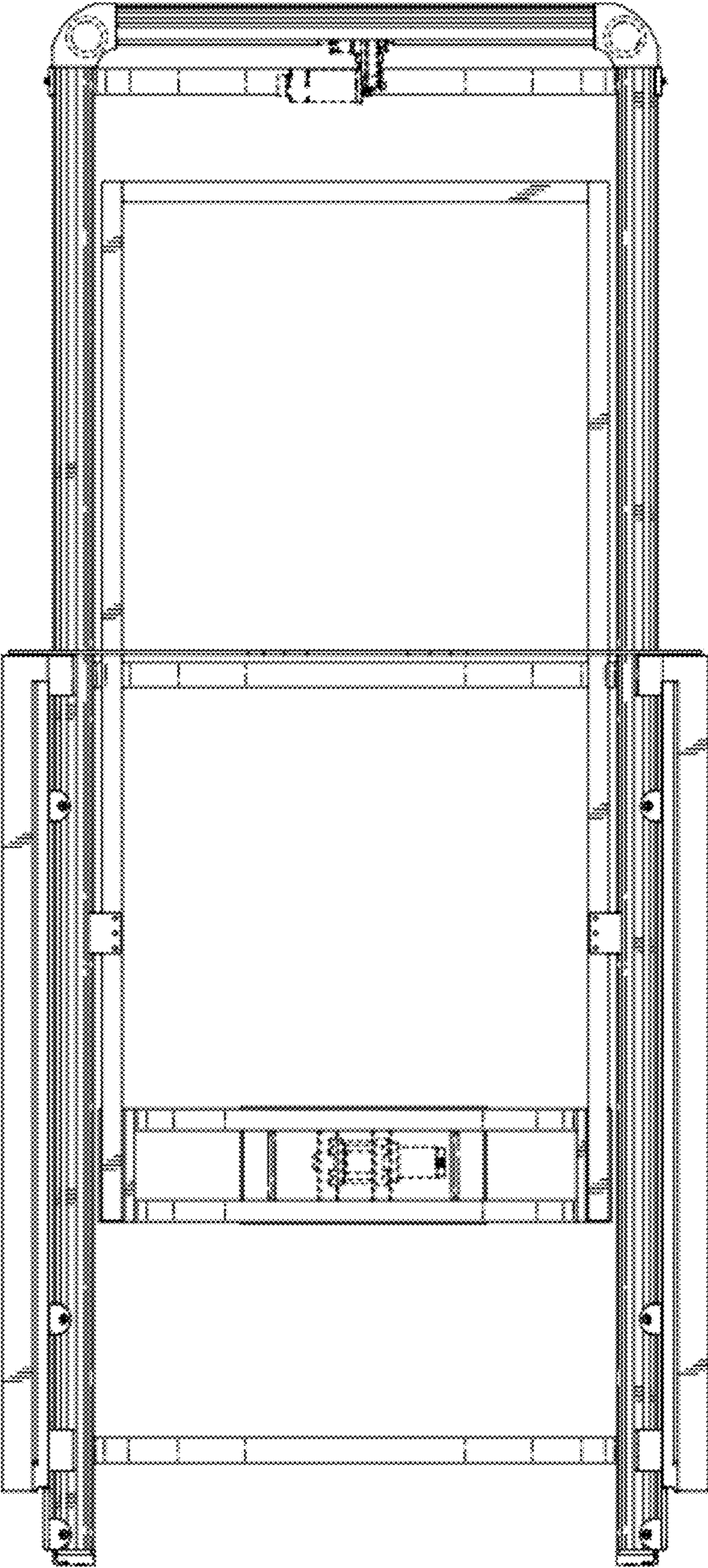


Fig. 5

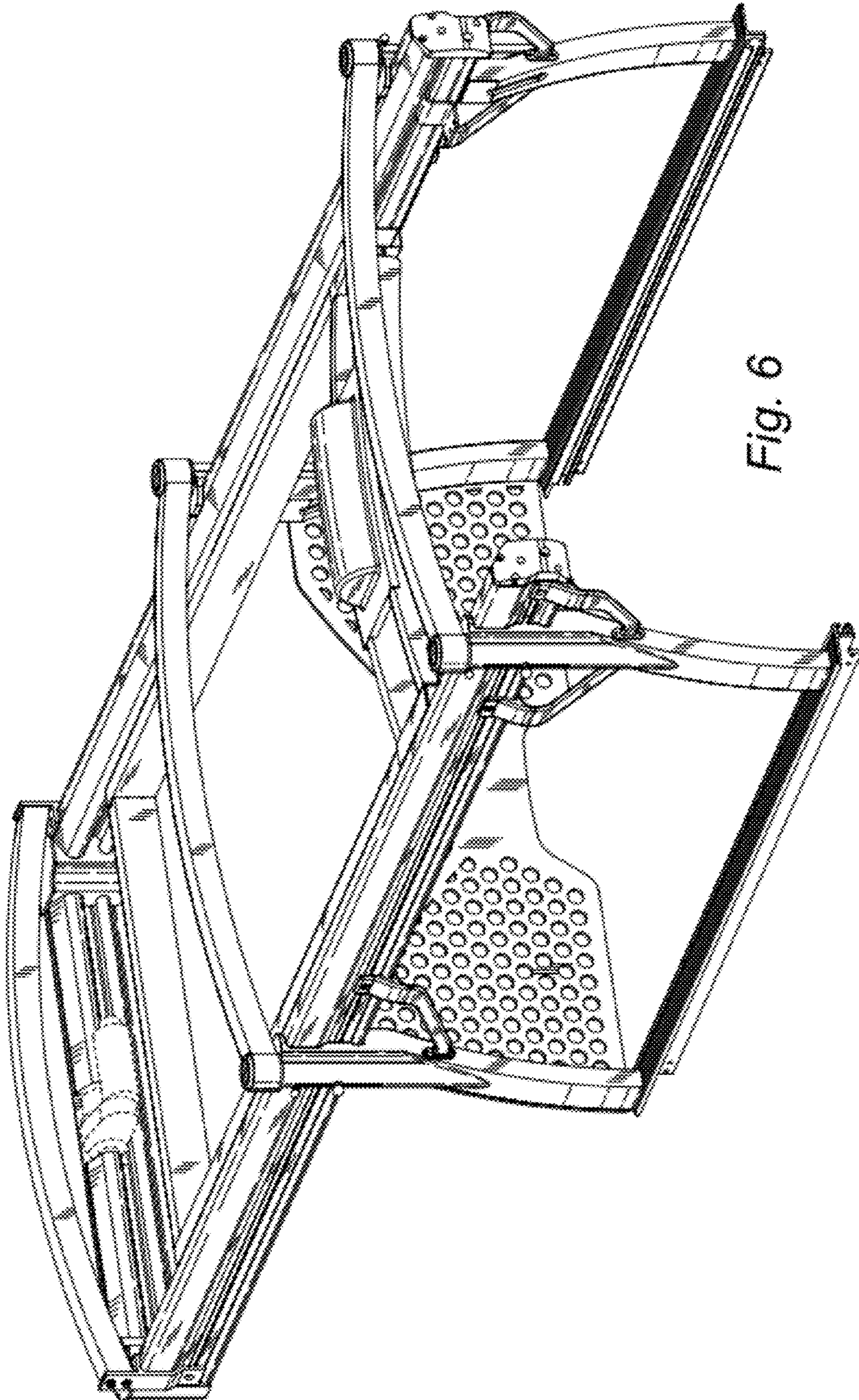


Fig. 6

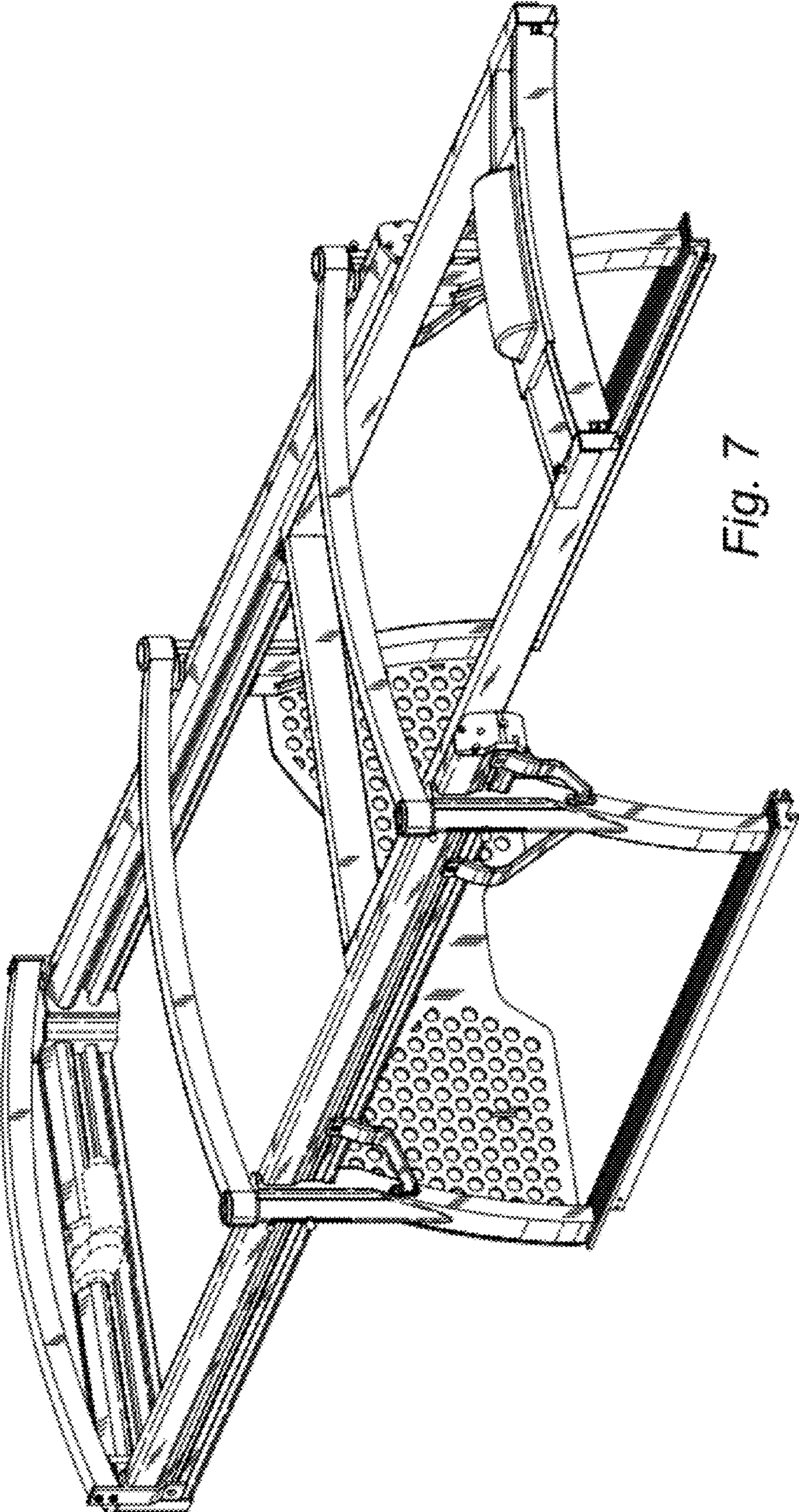


Fig. 7

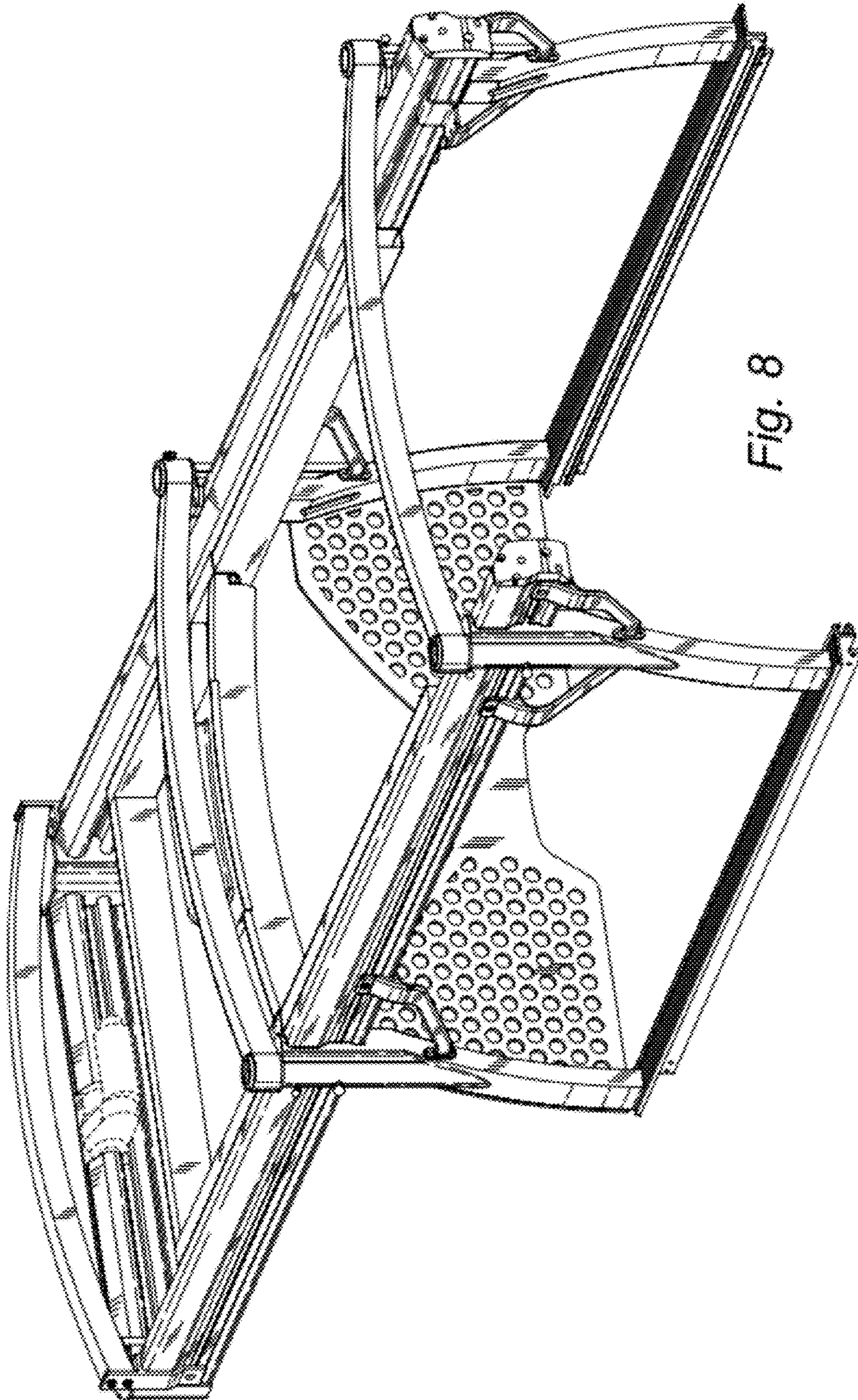


Fig. 8