



US00D662679S

(12) **United States Design Patent**
Temme

(10) **Patent No.:** **US D662,679 S**
(45) **Date of Patent:** **** Jun. 26, 2012**

(54) **HOUSING FOR SPILL CLEANUP EQUIPMENT**

Primary Examiner — Cynthia Ramirez
(74) *Attorney, Agent, or Firm* — Thompson Coburn LLP

(76) Inventor: **Paul Temme**, Wildwood, MO (US)

(**) Term: **14 Years**

(57) **CLAIM**
The ornamental design for a housing for spill cleanup equipment, as shown and described.

(21) Appl. No.: **29/397,069**

(22) Filed: **Jul. 11, 2011**

DESCRIPTION

(51) **LOC (9) Cl.** **12-02**

(52) **U.S. Cl.** **D34/17**

(58) **Field of Classification Search** D34/12-27;
280/79.11, 47.34, 47.35, 79.2, 47.26, 79.5,
280/564, 659, 47.17, 47.18, 47.24
See application file for complete search history.

FIG. 1 is a front elevation view of the housing for spill cleanup equipment showing my new design.

FIG. 2 is a right side elevation view of the housing for spill cleanup equipment design.

FIG. 3 is a top plan view of the housing for spill cleanup equipment design.

FIG. 4 is a bottom view of the housing for spill cleanup equipment design.

FIG. 5 is a rear elevation view of the housing for spill cleanup equipment design.

FIG. 6 is a left elevation view of the housing for spill cleanup equipment design.

FIG. 7 is a perspective view showing the left, front, and top of the housing for spill cleanup equipment design.

FIG. 8 is a perspective view showing the right, front, and top of the housing for spill cleanup equipment design.

FIG. 9 is a perspective view showing the left, front, and bottom of the housing for spill cleanup equipment design.

FIG. 10 is a perspective view showing the front, bottom, and right of the housing for spill cleanup equipment design.

FIG. 11 is a perspective view showing the rear, top, and right of the housing for spill cleanup equipment design.

FIG. 12 is a perspective view showing the rear, top, and left of the housing for spill cleanup equipment design.

FIG. 13 is a perspective view showing the rear, bottom, and right of the housing for spill cleanup equipment design; and,

FIG. 14 is a perspective view showing the rear, bottom, and left of the housing for spill cleanup equipment design.

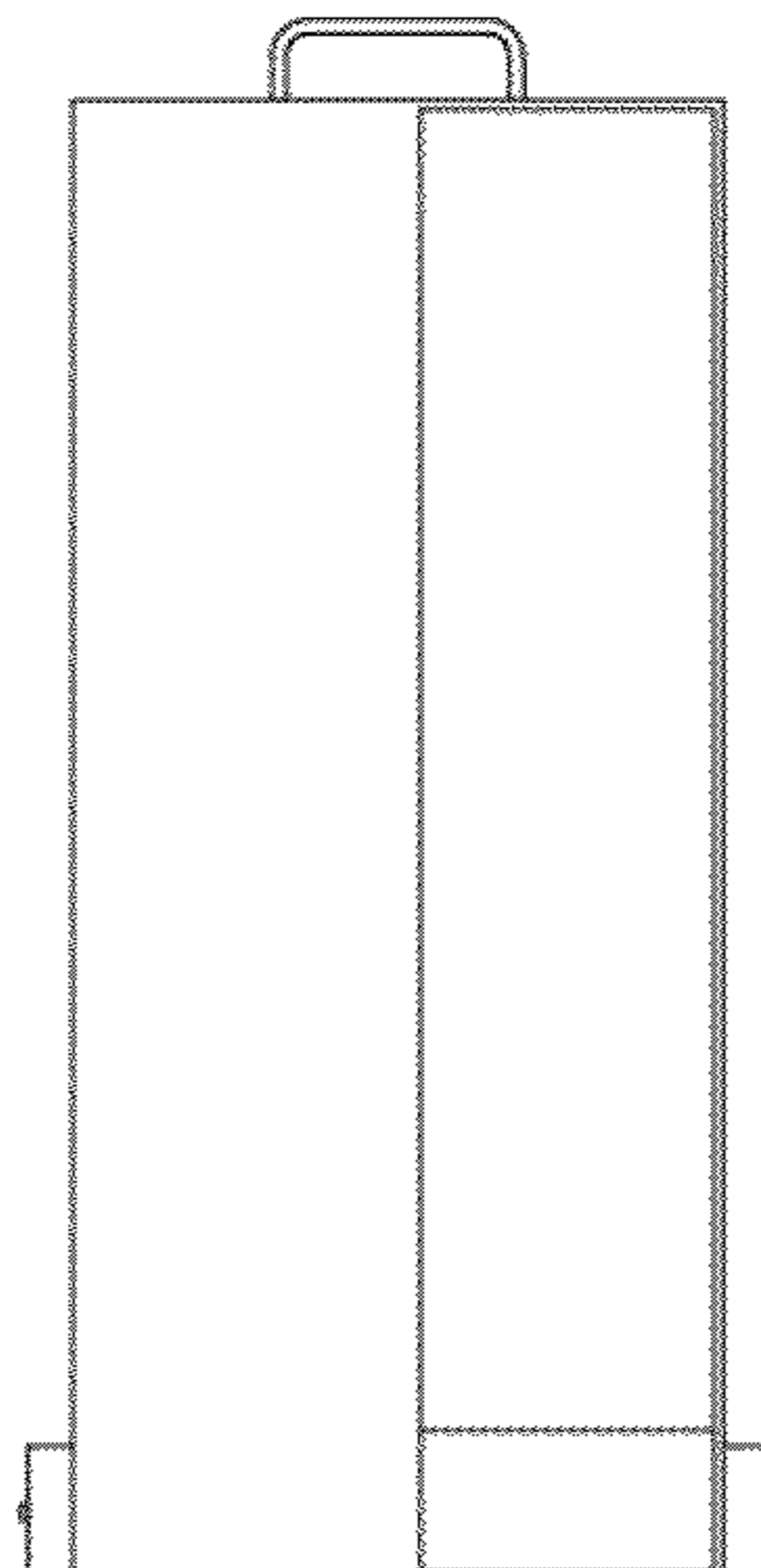
(56) **References Cited**

U.S. PATENT DOCUMENTS

2,127,594	A	8/1938	Grossman	
D142,352	S *	9/1945	Gutz et al.	D34/14
D158,876	S *	6/1950	Lowell	D34/18
D230,257	S *	2/1974	Corini	D34/19
D238,299	S *	12/1975	Klemm	D7/347
4,404,704	A	9/1983	Rabban	
D302,886	S *	8/1989	Padilla	D34/15
4,917,238	A	4/1990	Schumacher	
5,058,738	A	10/1991	Svensson	
5,145,061	A	9/1992	Marceau	
5,244,220	A	9/1993	Cortez	
5,350,111	A	9/1994	Vosbikian	
5,387,053	A	2/1995	Williamson	
5,609,255	A	3/1997	Nichols	
5,797,612	A *	8/1998	Buccioni	280/47.26
D421,326	S *	2/2000	Lewis	D34/24
6,550,792	B1 *	4/2003	Salmon et al.	280/47.24
6,581,776	B2	6/2003	Zatkoff	
D489,507	S *	5/2004	Hahn	D34/25
6,820,479	B2 *	11/2004	Roeckel et al.	73/202.5
D527,158	S *	8/2006	Steinmeyer	D34/17
7,150,118	B1	12/2006	Benton et al.	
7,188,846	B2 *	3/2007	Deavila	280/47.35
7,467,801	B1 *	12/2008	Garduno	280/47.26

(Continued)

1 Claim, 6 Drawing Sheets



US D662,679 S

Page 2

U.S. PATENT DOCUMENTS

7,731,031	B1	6/2010	Weinberger			
D624,269	S *	9/2010	Uhl et al.	D34/17	2002/0175092	A1 11/2002 Stulens et al.
D624,724	S *	9/2010	Uhl et al.	D34/17	2004/0134803	A1 7/2004 Michelson et al.
2002/0139392	A1	10/2002	Cervero et al.		2007/0088299	A1 4/2007 Ayre
					2010/0065448	A1 3/2010 Vargas

* cited by examiner

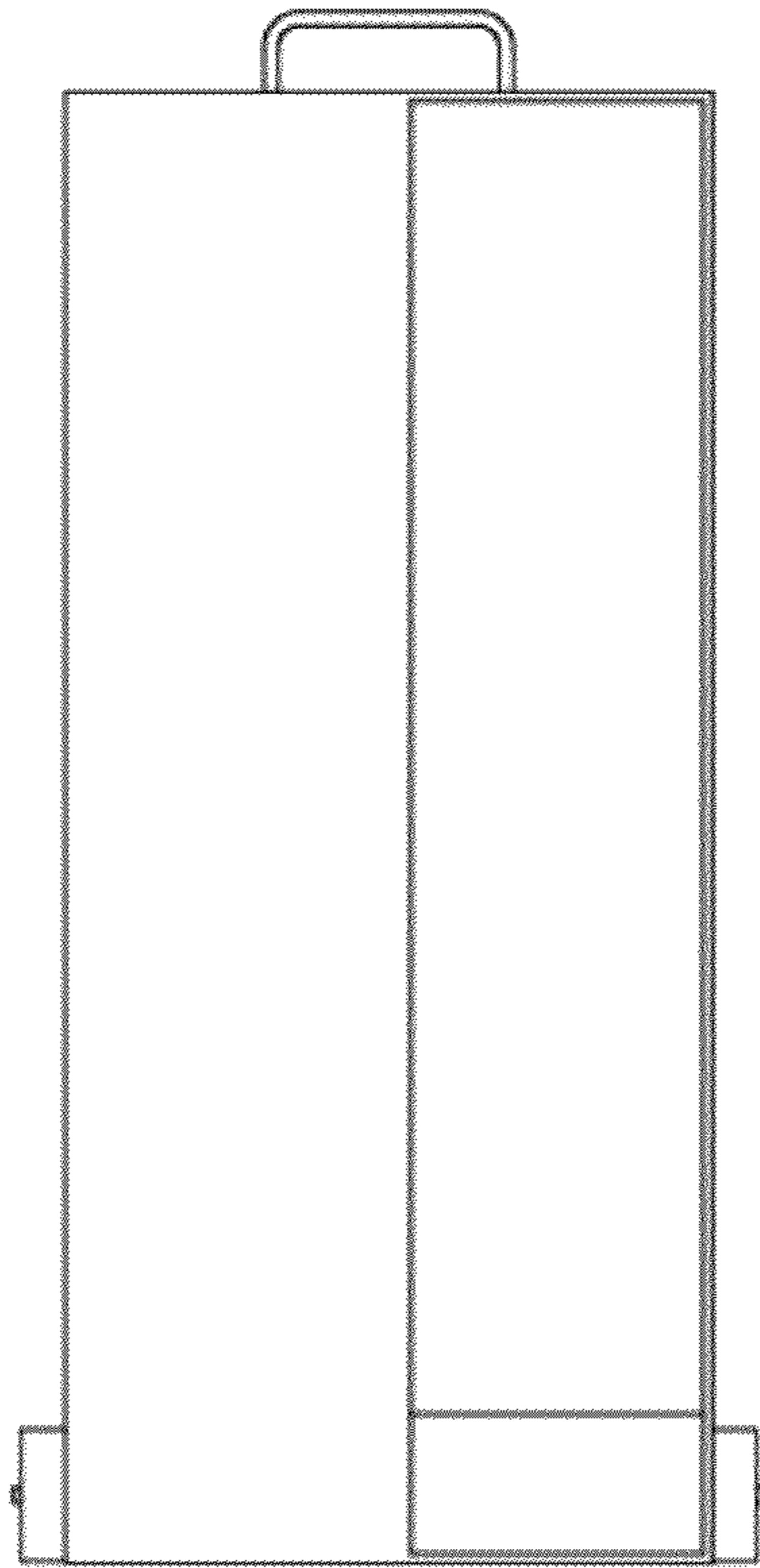


FIG. 1

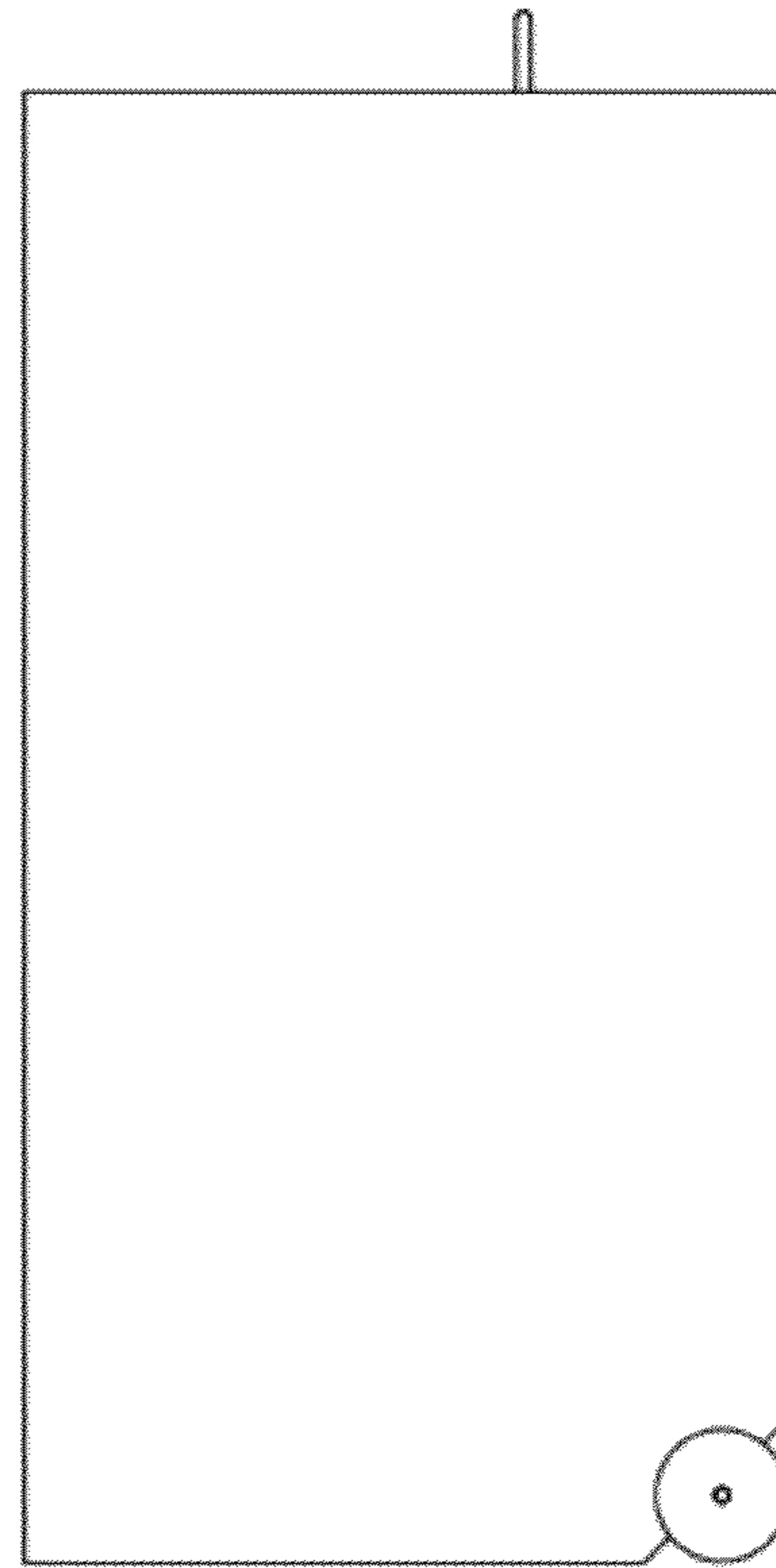


FIG. 2

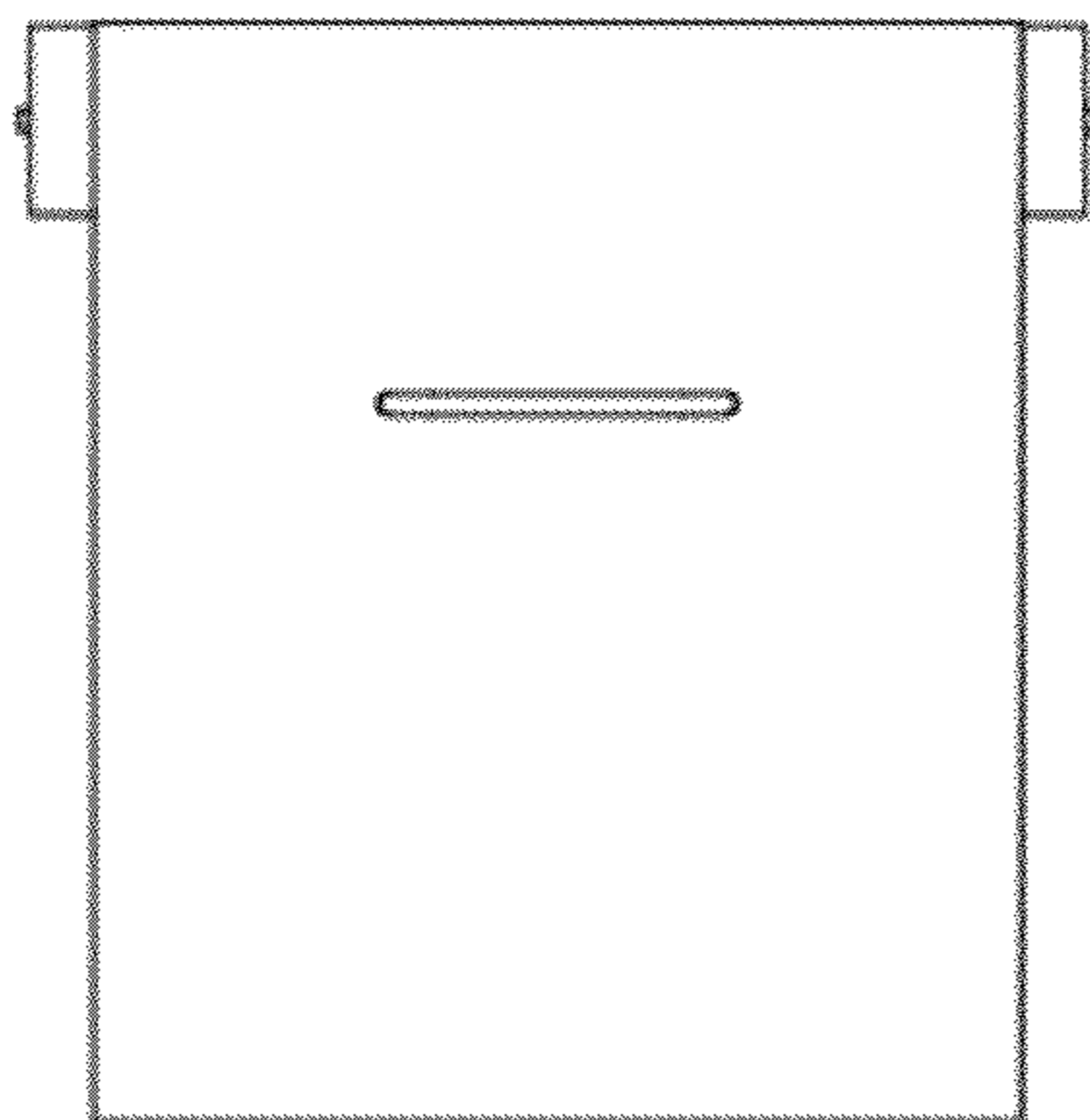


FIG. 3

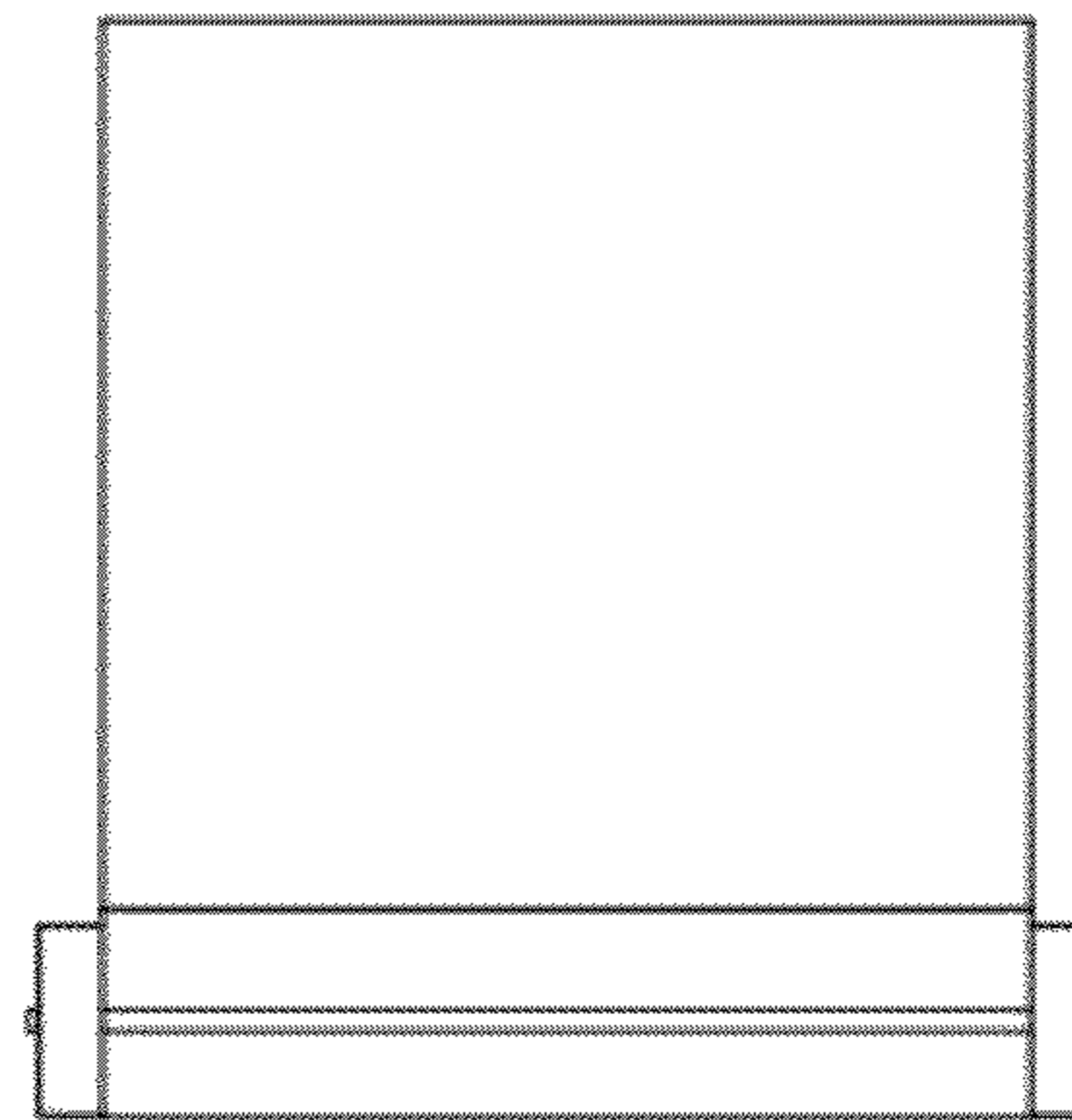


FIG. 4

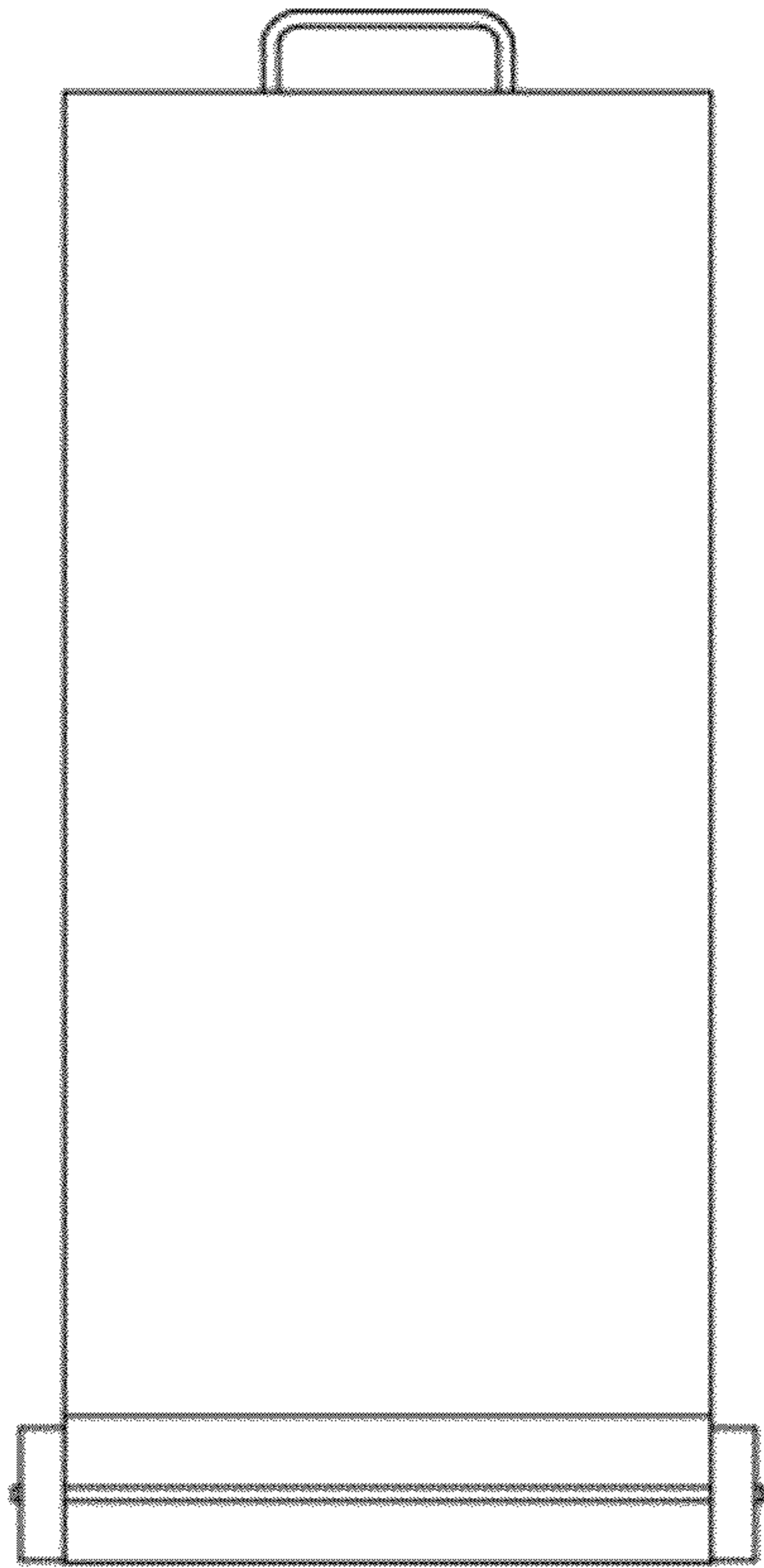


FIG. 5

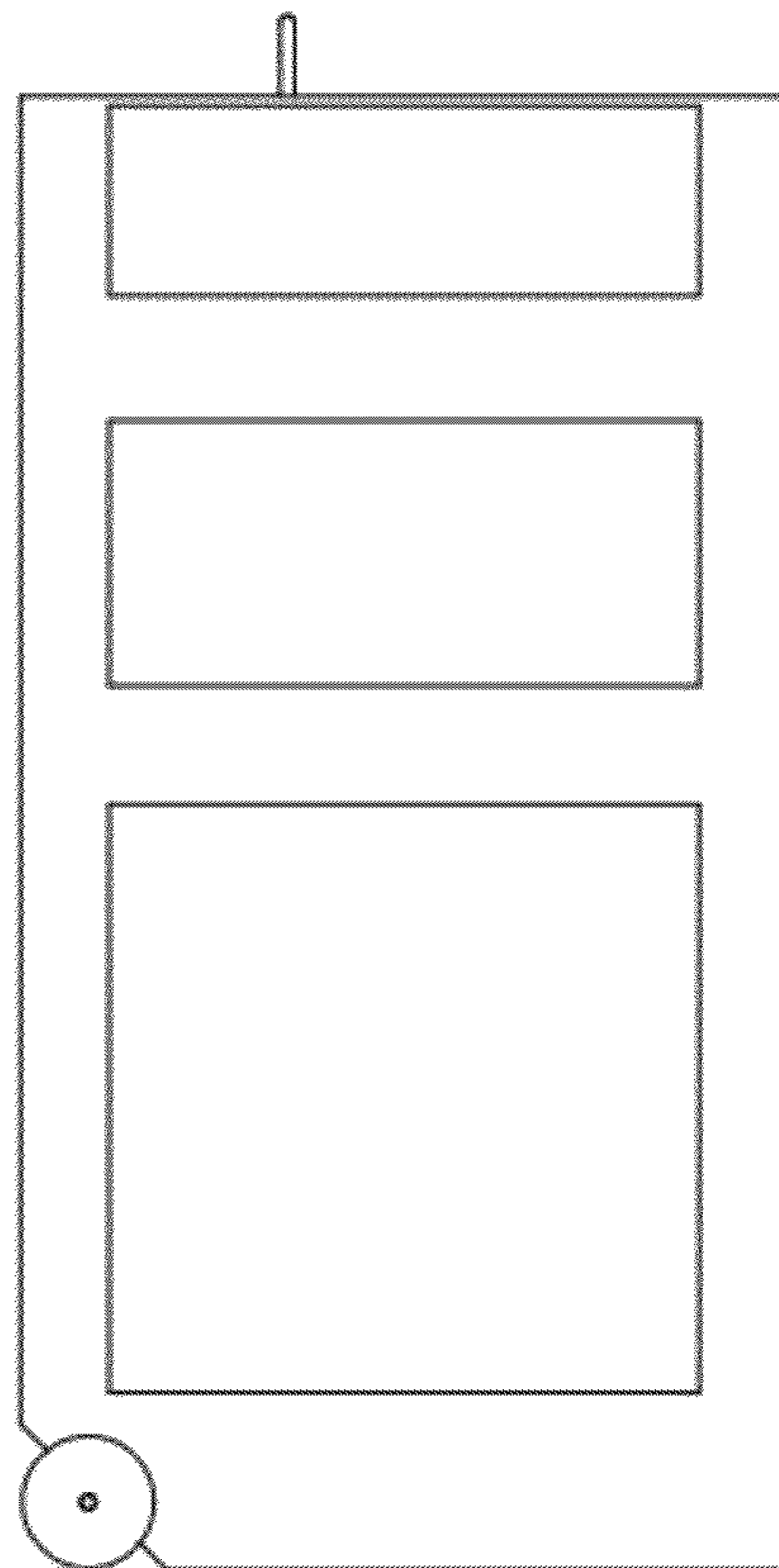


FIG. 6

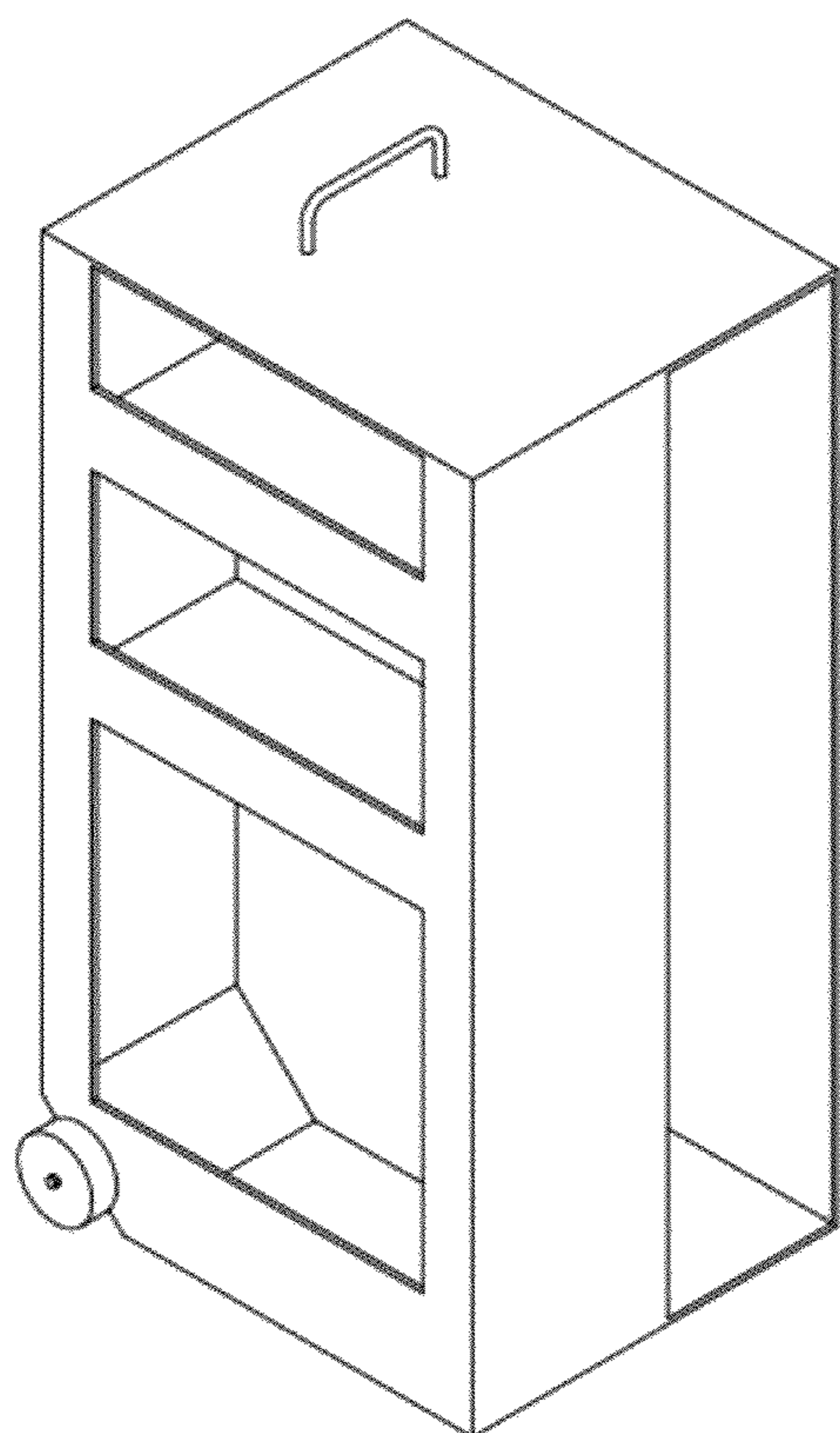


FIG. 7

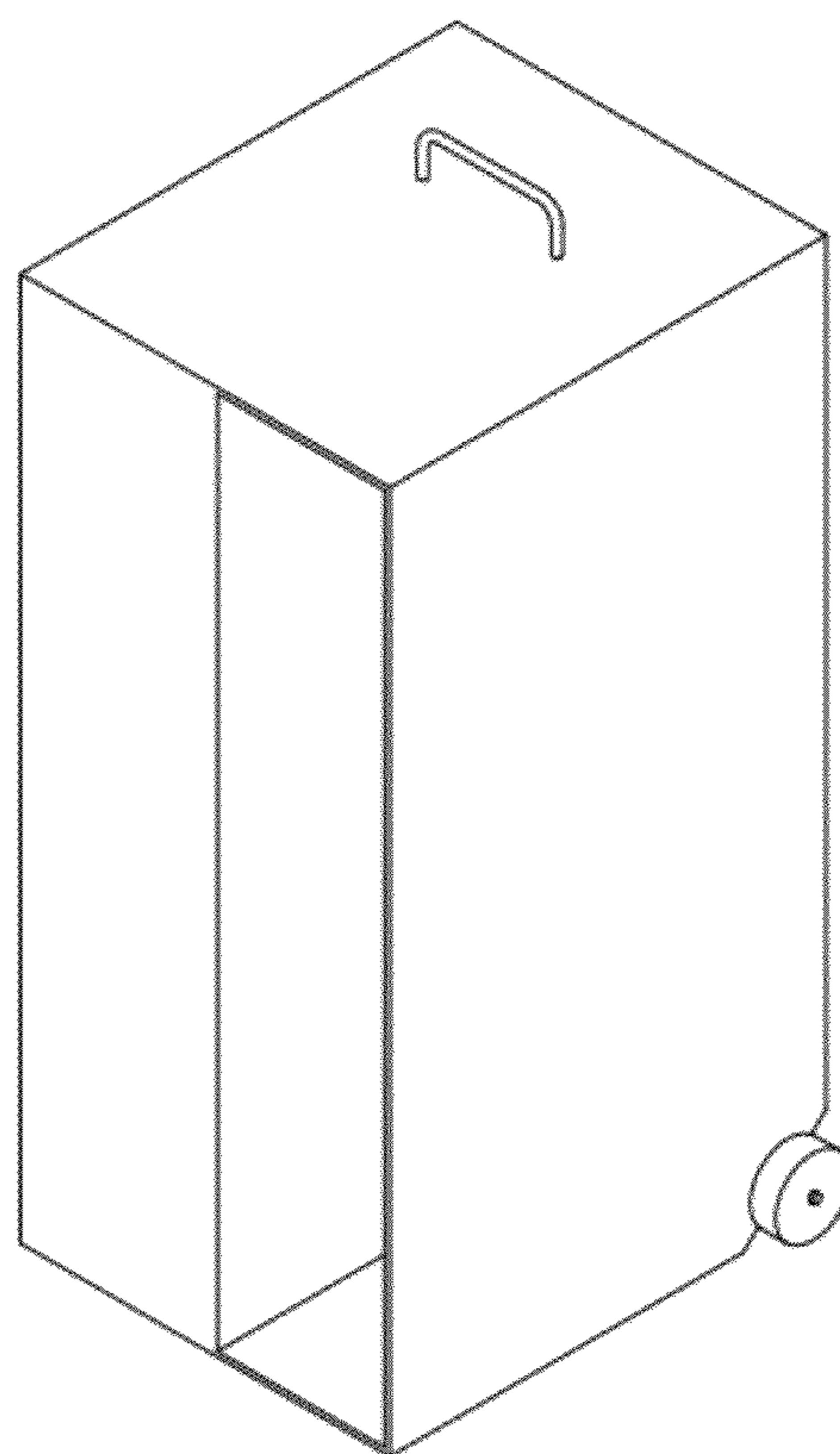


FIG. 8

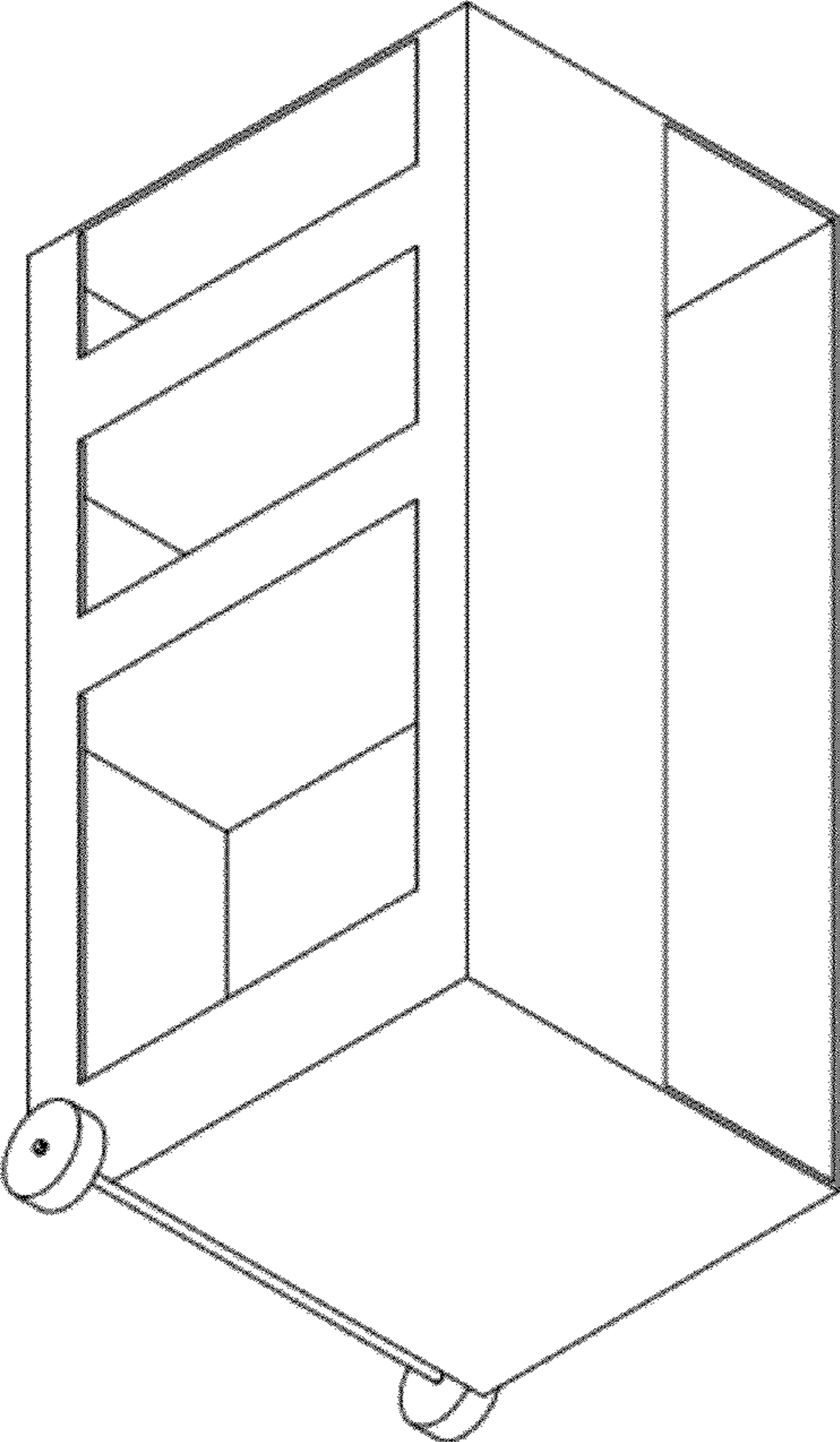


FIG. 9

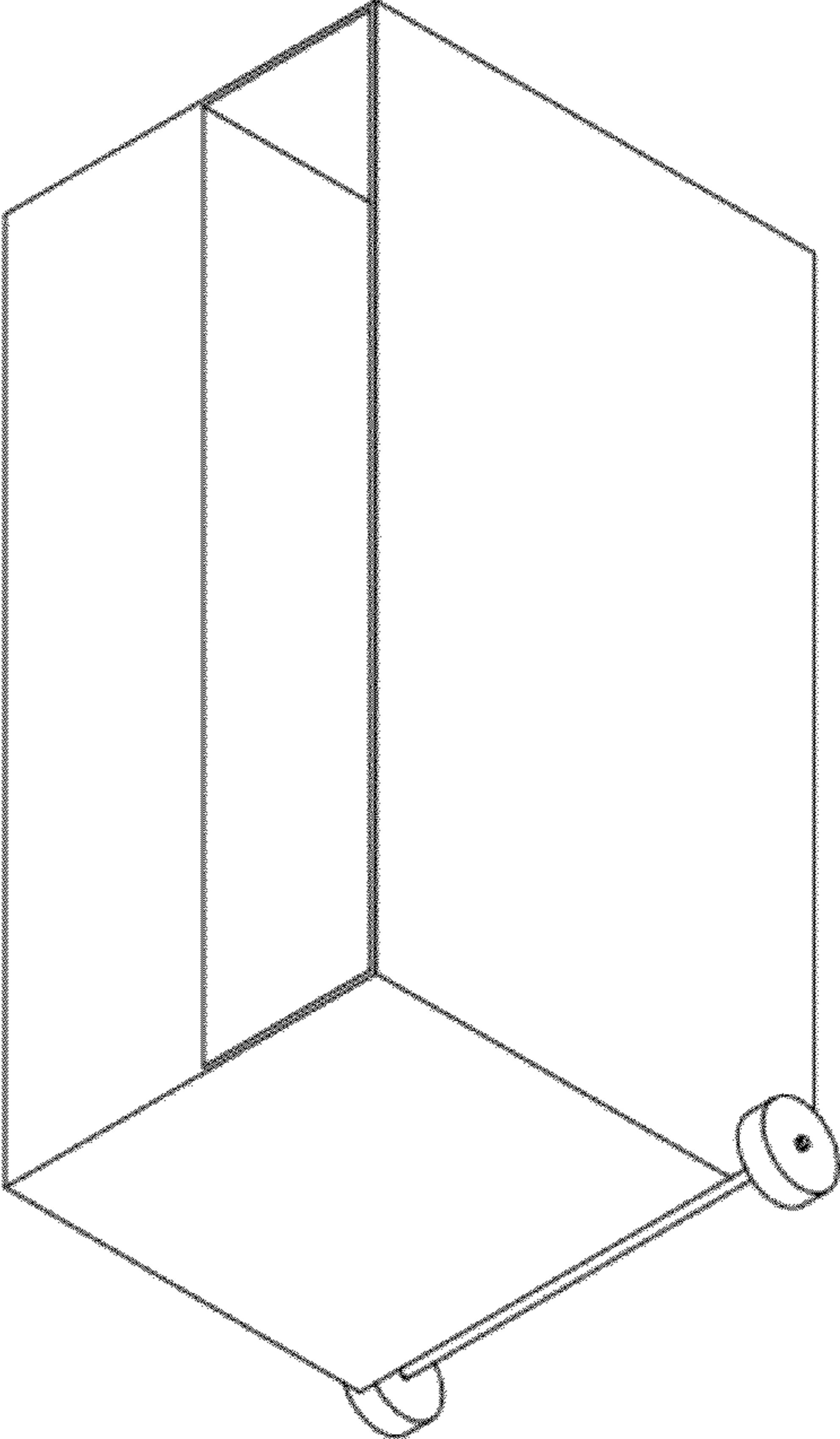


FIG. 10

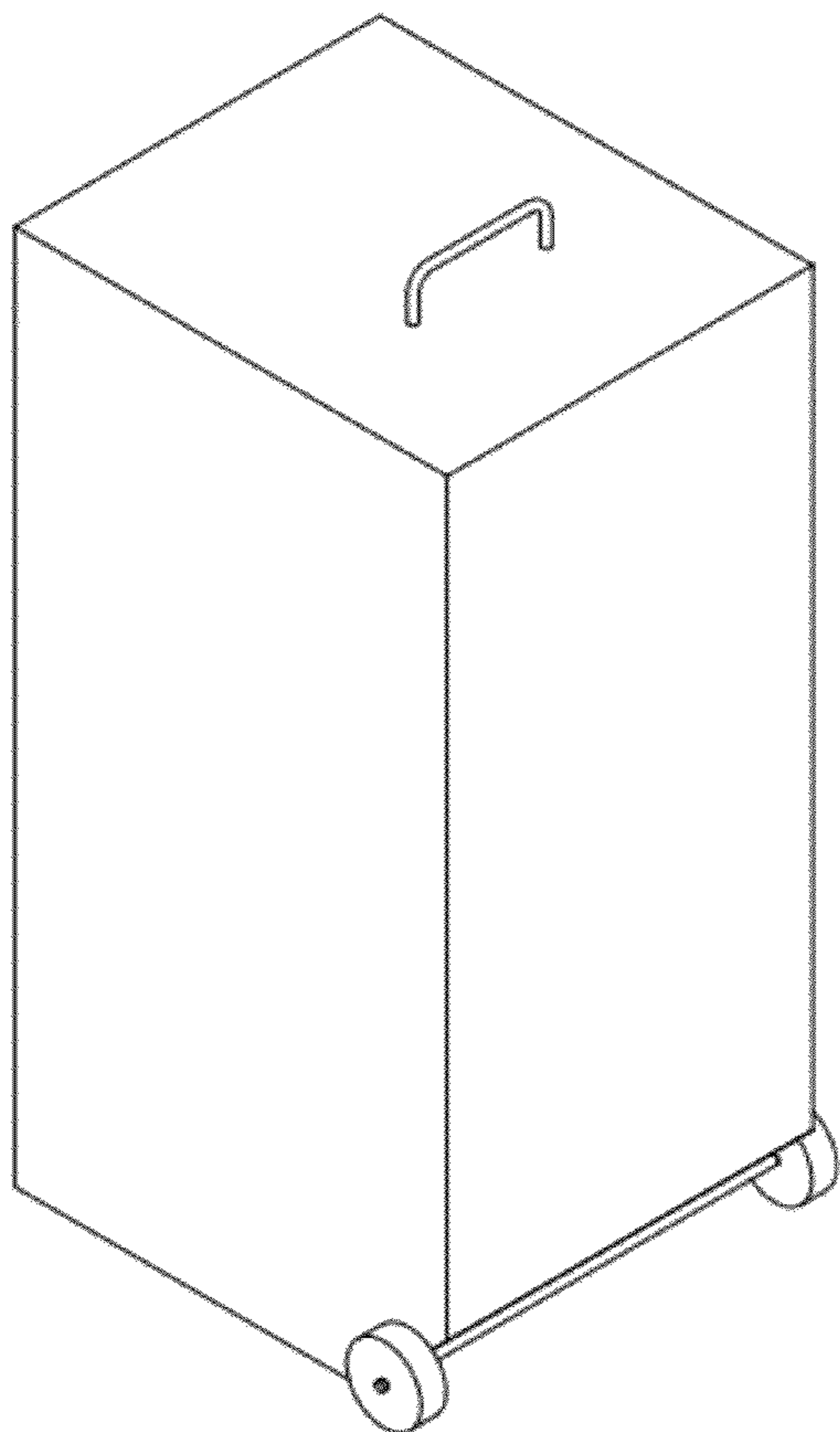


FIG. 11

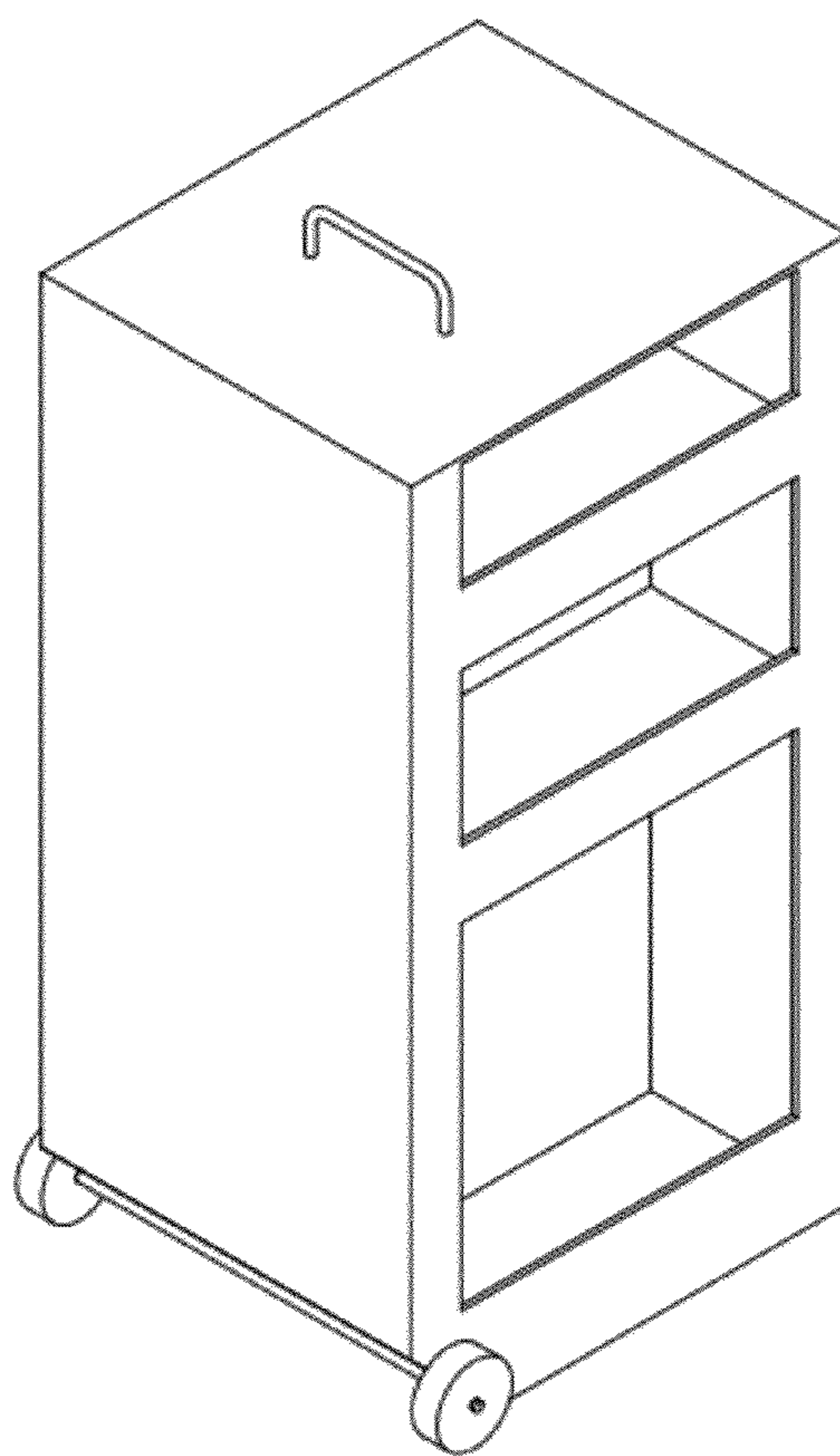


FIG. 12

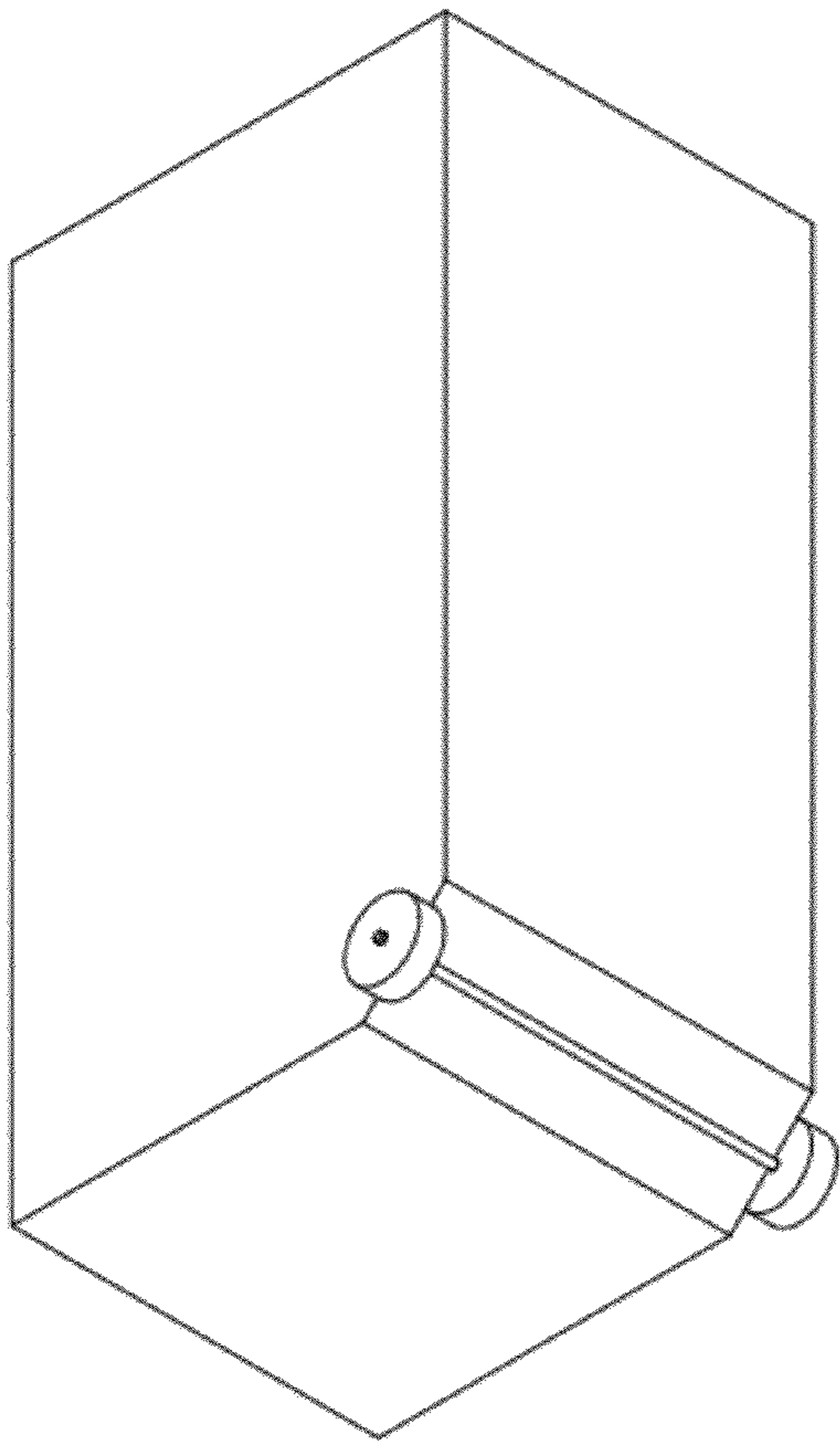


FIG. 13

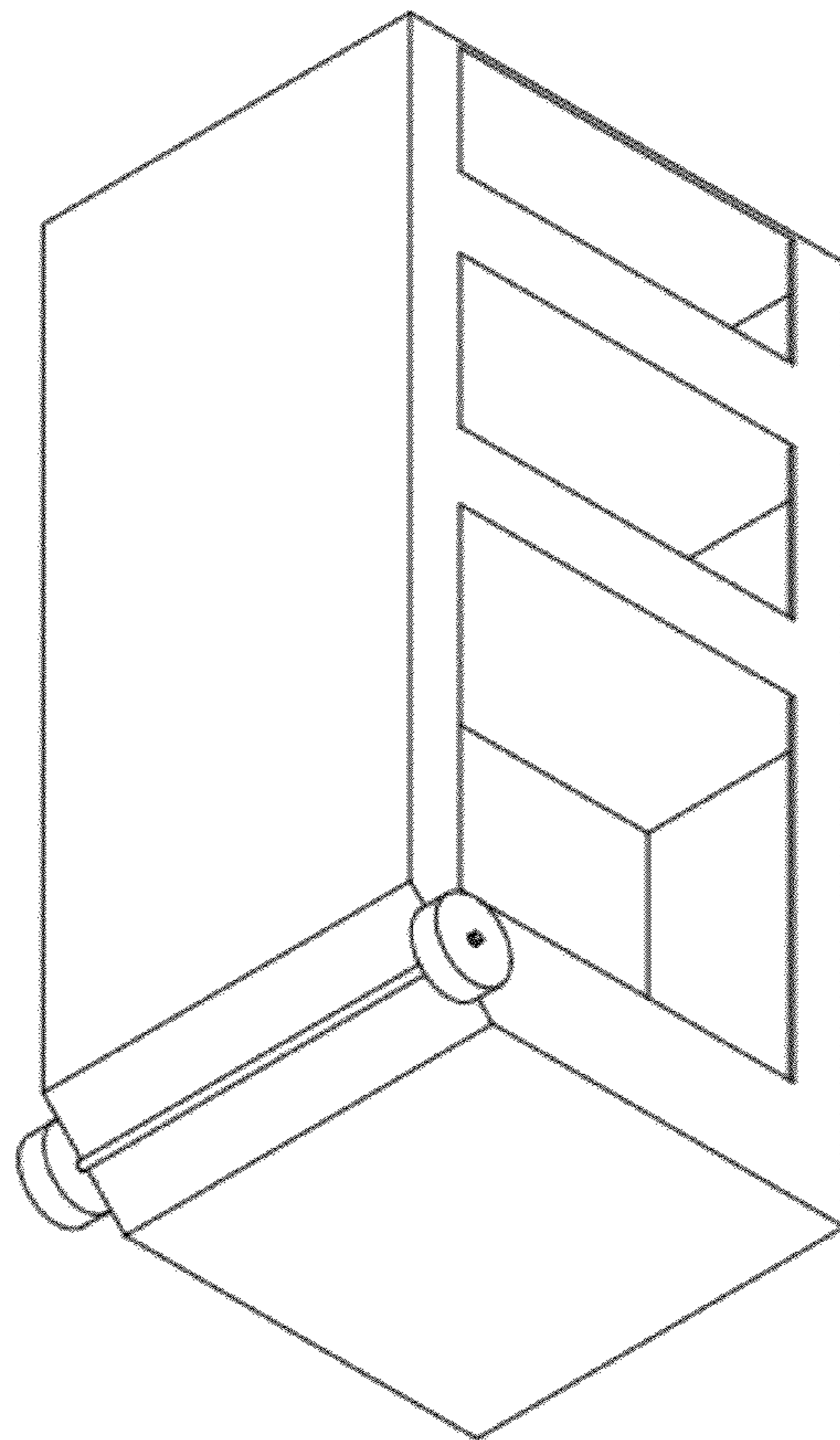


FIG. 14