

US00D662678S

(12) **United States Design Patent**
Moore

(10) **Patent No.:** **US D662,678 S**
(45) **Date of Patent:** **** Jun. 26, 2012**

(54) **COMBINED MEDIA TRASH AND RECYCLING RECEPTACLE**

RecyclingEnclosures.htm; downloaded from web.archive Feb. 16, 2008.

(75) Inventor: **David E. Moore**, Temecula, CA (US)

(Continued)

(73) Assignee: **Compumeric Engineering, Inc.**, Ontario, CA (US)

Primary Examiner — Cynthia Ramirez
(74) *Attorney, Agent, or Firm* — Knobbe, Martens, Olson & Bear, LLP

(**) Term: **14 Years**

(21) Appl. No.: **29/394,341**

(57) **CLAIM**
The ornamental design for a combined media trash and recycling receptacle, as shown and described.

(22) Filed: **Jun. 15, 2011**

(51) **LOC (9) Cl.** **09-09**

(52) **U.S. Cl.** **D34/6**

(58) **Field of Classification Search** D34/1,
D34/5, 6, 7, 8, 9, 10, 11; 220/908, 908.1,
220/911, 909, 912, 913; 40/554, 611.01,
40/611.03, 611.02, 611.06, 605.05, 606.18;
D20/19, 27, 99

DESCRIPTION

See application file for complete search history.

FIG. 1 is a perspective view of the combined media trash and recycling receptacle of the present invention with a first top section;
FIG. 2 is a first side view of the receptacle of FIG. 1;
FIG. 3 is a second side view of the receptacle of FIG. 1;
FIG. 4 is a third side view of the receptacle of FIG. 1;
FIG. 5 is a fourth side view of the receptacle of FIG. 1;
FIG. 6 is a top view of the receptacle of FIG. 1;
FIG. 7 is a bottom view of the receptacle of FIG. 1;
FIG. 8 is a perspective view of the receptacle of FIG. 1 with a second top section;
FIG. 9 is a perspective view of the receptacle of FIG. 1 with a third top section;
FIG. 10 is a perspective view of the receptacle of FIG. 1 with a fourth top section;
FIG. 11 is a perspective view of the receptacle of FIG. 1 with a fifth top section; and,
FIG. 12 is a perspective view of the receptacle of FIG. 1 with a sixth top section.
The broken lines showing additional features of the combined media trash and recycling receptacle are for illustrative purposes only and form no part of the claimed design.

(56) **References Cited**

U.S. PATENT DOCUMENTS

135,396	A	2/1873	Bishop	
140,307	A	6/1873	Rand	
416,433	A	12/1889	Wilson	
1,044,047	A	11/1912	Hess	
D54,676	S *	3/1920	Richardson	D34/8
D54,677	S *	3/1920	Martinez	D34/8

(Continued)

FOREIGN PATENT DOCUMENTS

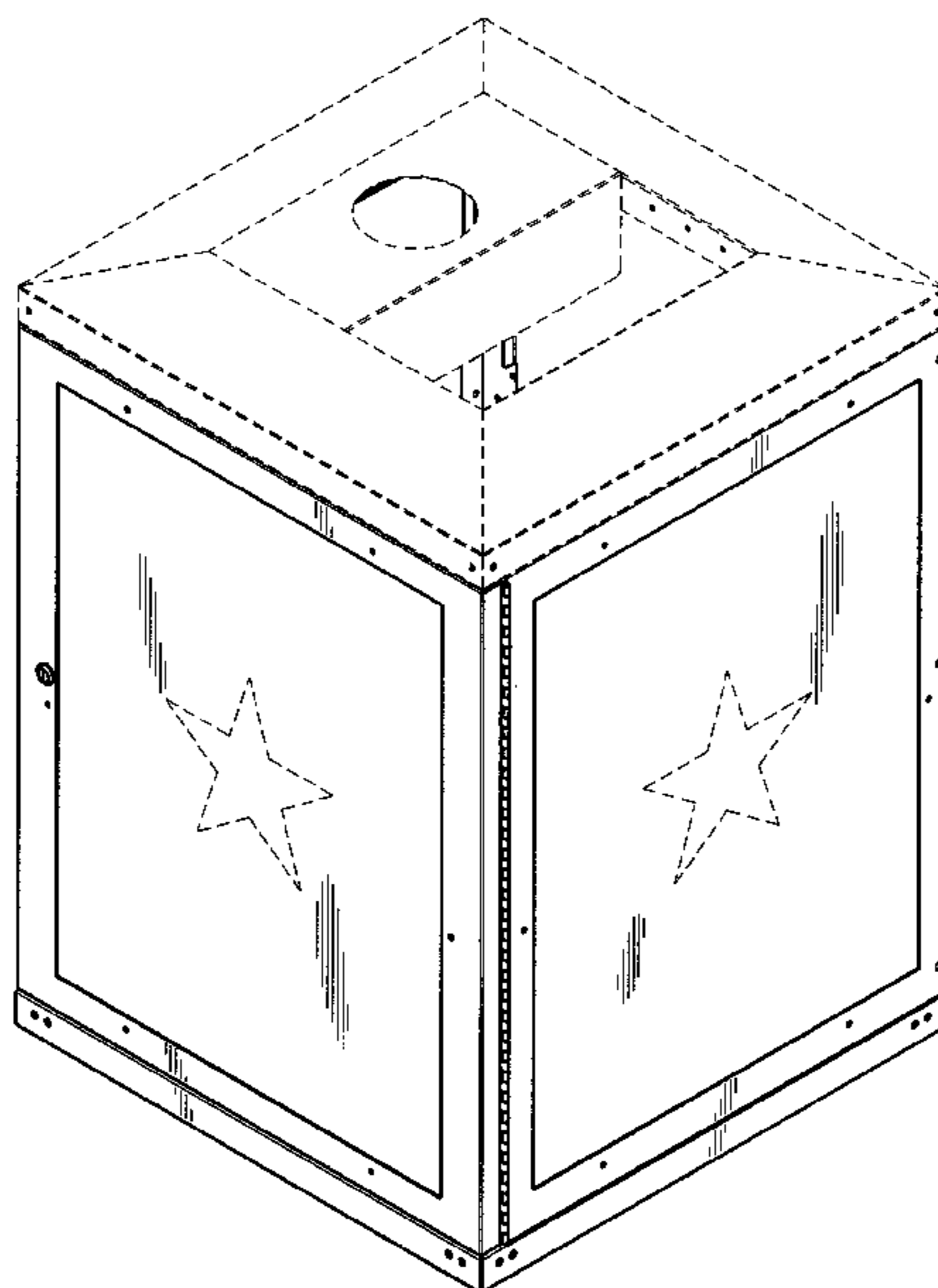
JP 02016275 A 1/1990

(Continued)

OTHER PUBLICATIONS

“Bear Resistant Recycling Enclosures”, Bear Saver, <http://web.archive.org/web/20080318222229/www.bearsaver.com/>

1 Claim, 12 Drawing Sheets



US D662,678 S

Page 2

U.S. PATENT DOCUMENTS

1,364,209	A *	1/1921	Richardson	232/1 R
D57,379	S *	3/1921	Richardson	D34/8
D57,380	S *	3/1921	Richardson et al.	D34/8
D57,593	S *	4/1921	Dickerman	D34/8
1,424,519	A *	8/1922	Richardson	40/306
1,424,520	A *	8/1922	Richardson et al.	220/254.2
1,447,462	A	3/1923	Butscher et al.	
1,460,166	A	6/1923	McArthur	
1,515,612	A	11/1924	O'Connor	
1,865,205	A	6/1932	Palmquist	
1,870,746	A	8/1932	Pyle	
1,922,062	A	8/1933	Sullivan	
2,075,495	A	3/1937	Aten	
2,169,692	A	8/1939	Hansen	
2,194,408	A	3/1940	Sluss	
D120,270	S *	4/1940	Kay et al.	D34/7
2,594,253	A	4/1952	Vander Veer	
2,946,640	A	7/1960	Sitler	
3,084,965	A	4/1963	Carosello	
3,222,517	A *	12/1965	Peter	362/350
3,586,360	A	6/1971	Perrotta	
3,793,756	A *	2/1974	Kay et al.	40/306
3,803,738	A *	4/1974	Weiss	40/306
D234,288	S *	2/1975	Kay et al.	D34/1
3,953,061	A	4/1976	Hansen et al.	
3,999,792	A	12/1976	Smith	
4,046,412	A	9/1977	Lee	
4,319,762	A	3/1982	Streit et al.	
4,854,448	A	8/1989	Hair, II	
5,029,909	A	7/1991	Bunger	
5,092,143	A	3/1992	Rumbles	
D327,152	S	6/1992	Rose et al.	
5,118,037	A	6/1992	Ekegren	
D328,659	S	8/1992	Brenner et al.	
D332,332	S	1/1993	Markey	
D333,541	S	2/1993	Kropf	
D338,758	S *	8/1993	Sexton et al.	D34/7
D345,239	S	3/1994	Cooper	
5,341,752	A	8/1994	Hambleton	
5,385,258	A	1/1995	Sutherlin	
D356,419	S	3/1995	Kamm	
5,470,115	A	11/1995	Berg et al.	
5,509,700	A	4/1996	Kennedy, Jr.	
5,601,206	A	2/1997	Haas et al.	
D381,156	S	7/1997	Kent	
D389,631	S	1/1998	Peters	
6,065,314	A	5/2000	Nicholson	
D446,373	S	8/2001	Weiss et al.	
6,454,320	B1	9/2002	Weinerman et al.	
6,508,087	B2	1/2003	Lamley et al.	

D480,854	S	10/2003	Hardy et al.	
6,688,656	B1	2/2004	Becken	
6,771,183	B2	8/2004	Hunter	
6,783,162	B1	8/2004	Harper	
D507,687	S	7/2005	Moon et al.	
7,062,945	B2	6/2006	Saitoh et al.	
D536,853	S	2/2007	Presnell	
D537,223	S	2/2007	Lin	
D537,596	S	2/2007	Marshall	
D538,995	S	3/2007	Lin	
D545,374	S	6/2007	Gollob	
7,237,812	B2	7/2007	Tweedy	
D549,418	S *	8/2007	Boydston et al.	D34/1
D551,414	S *	9/2007	Weiss	D34/1
D558,421	S	12/2007	DesLaurier	
D558,947	S	1/2008	Gardner et al.	
D566,921	S	4/2008	Skalka	
D577,171	S	9/2008	Moore	
D587,874	S	3/2009	Lin	
D606,721	S	12/2009	Moore	
D612,560	S	3/2010	Moore	
D613,019	S	3/2010	Moore	
7,681,752	B2	3/2010	Moore	
7,775,564	B2	8/2010	Moore	
2004/0069787	A1 *	4/2004	Gruennert et al.	220/503
2007/0046032	A1	3/2007	Moore	
2007/0084865	A1	4/2007	Moore	
2010/0181316	A1	7/2010	Moore	
2010/0307062	A1	12/2010	Moore	
2011/0000011	A1 *	1/2011	Gebka	4/321

FOREIGN PATENT DOCUMENTS

JP 06101378 A 4/1994

OTHER PUBLICATIONS

“Bear Resistant Trash Enclosures”, Bear Saver, <http://web.archive.org/web/20080402133700.www.bearsaver.com/TrashEnclosures.htm>; downloaded from web.archive Feb. 16, 2008.

“Non Bear Resistant Trash and Recycling Enclosures”, Bear Saver, <http://web.archive.org/web/20080219235907/www.bearsaver.com/TrashAndRecycling.htm>; downloaded from web.archive Feb. 16, 2008.

U.S. 29/364,355, filed Jun. 22, 2010, Moore.

U.S. Appl. No. 29/394,336, filed Jun. 15, 2011, Moore.

U.S. Appl. No. 29/394,340, filed Jun. 15, 2011, Moore.

U.S. Appl. No. 29/394,339, filed Jun. 15, 2011, Moore.

U.S. Appl. No. 29/394,342, filed Jun. 15, 2011, Moore.

* cited by examiner

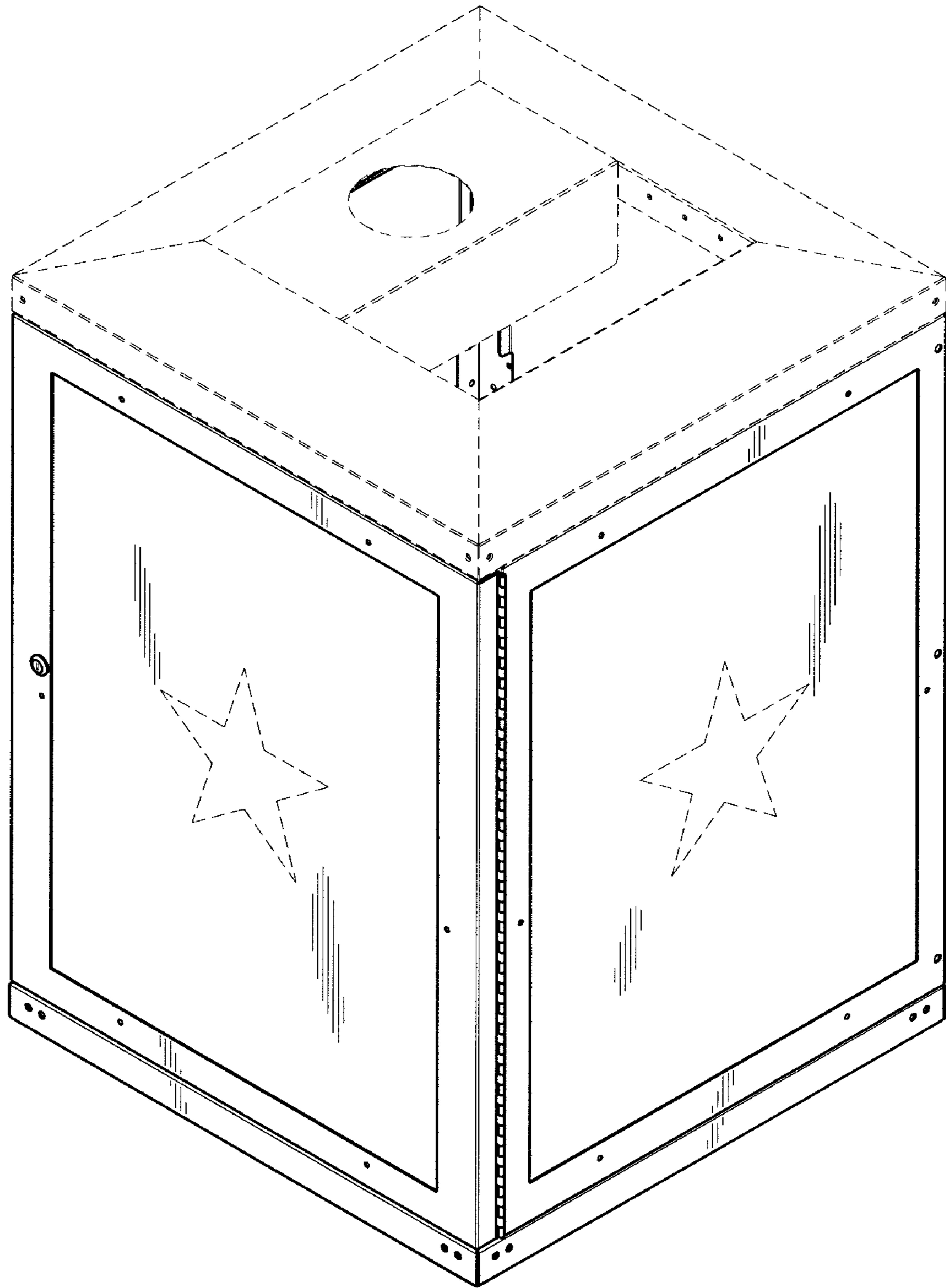


FIG. 1

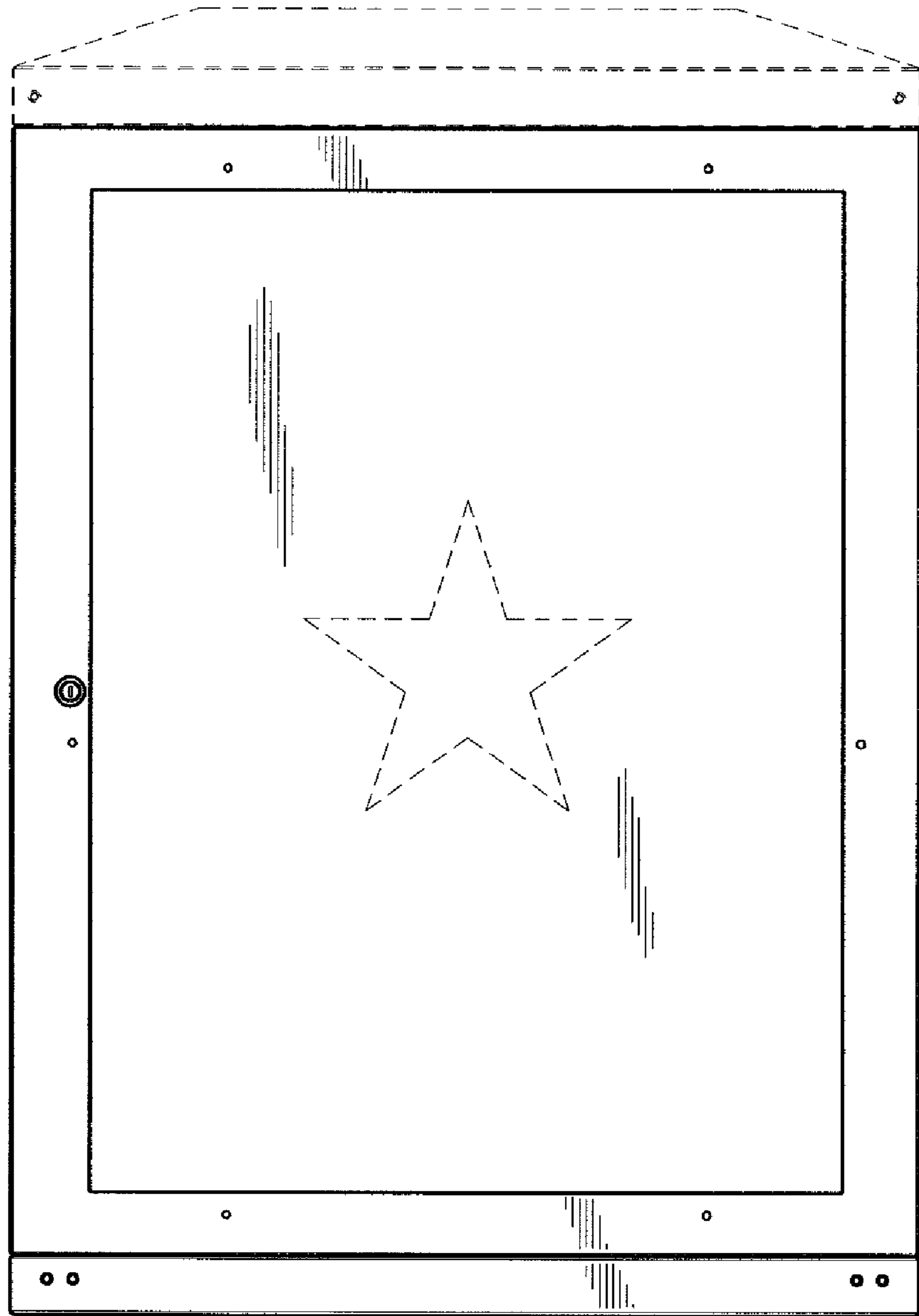


FIG. 2

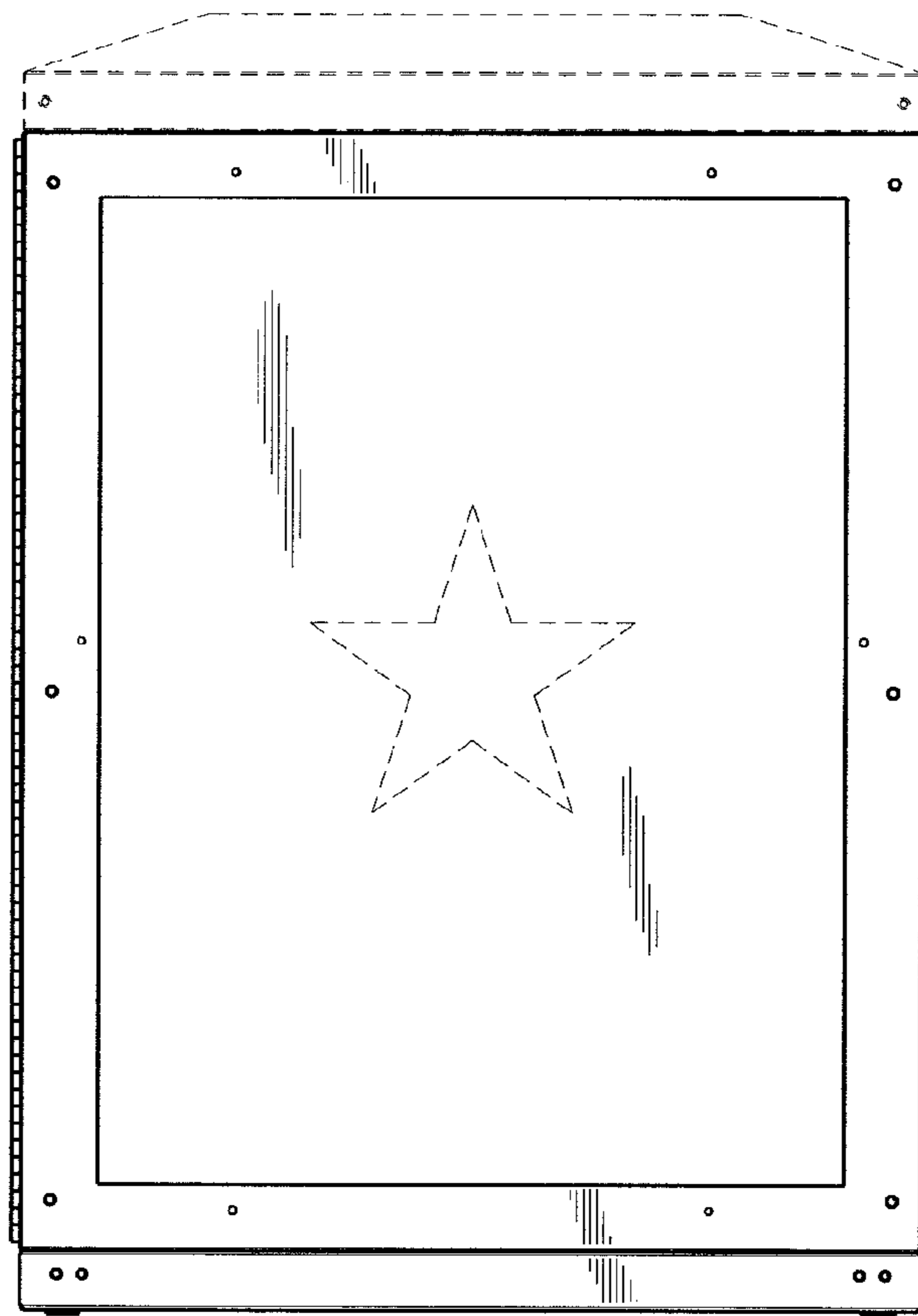


FIG. 3

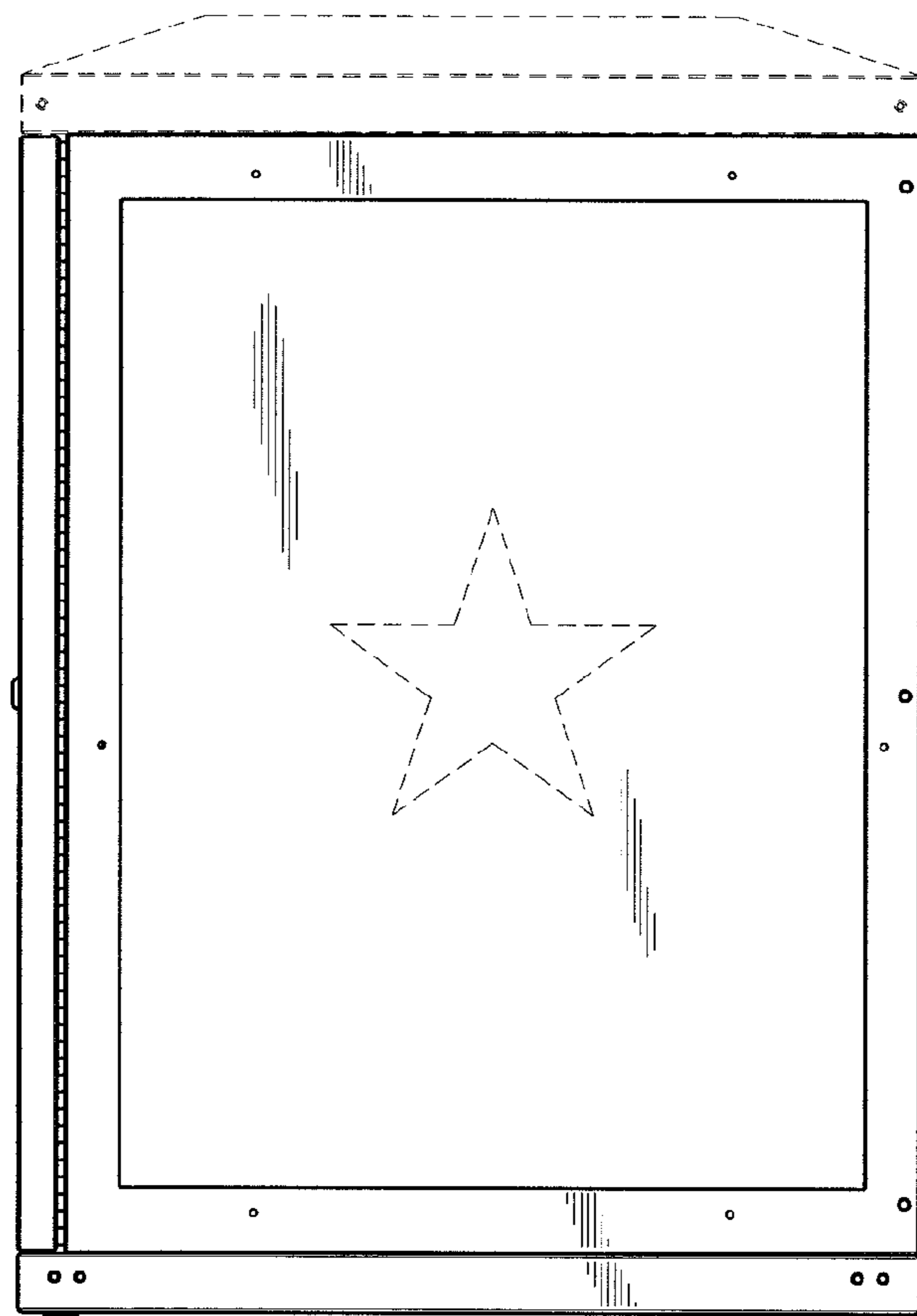


FIG. 4

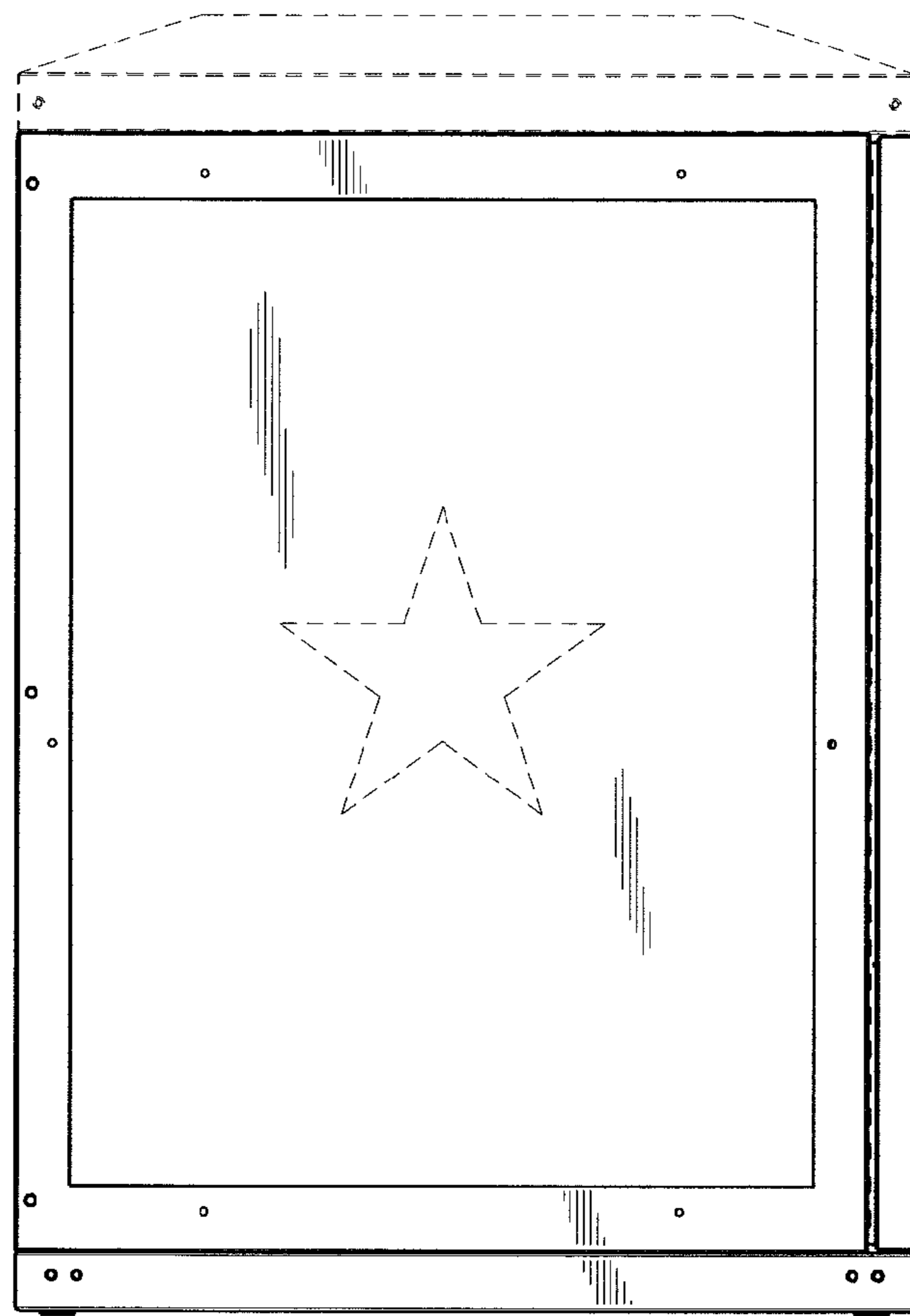


FIG. 5

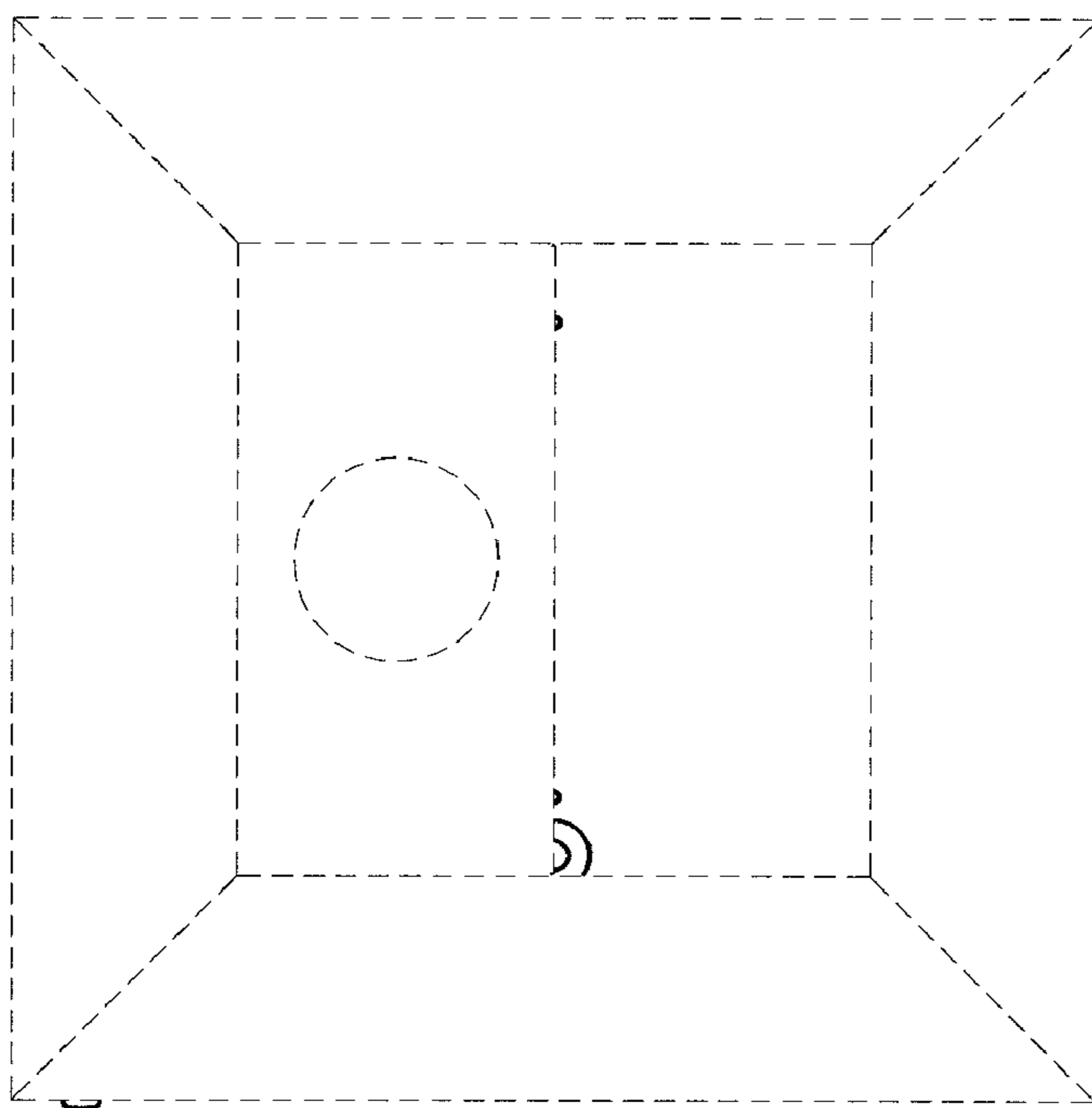


FIG. 6

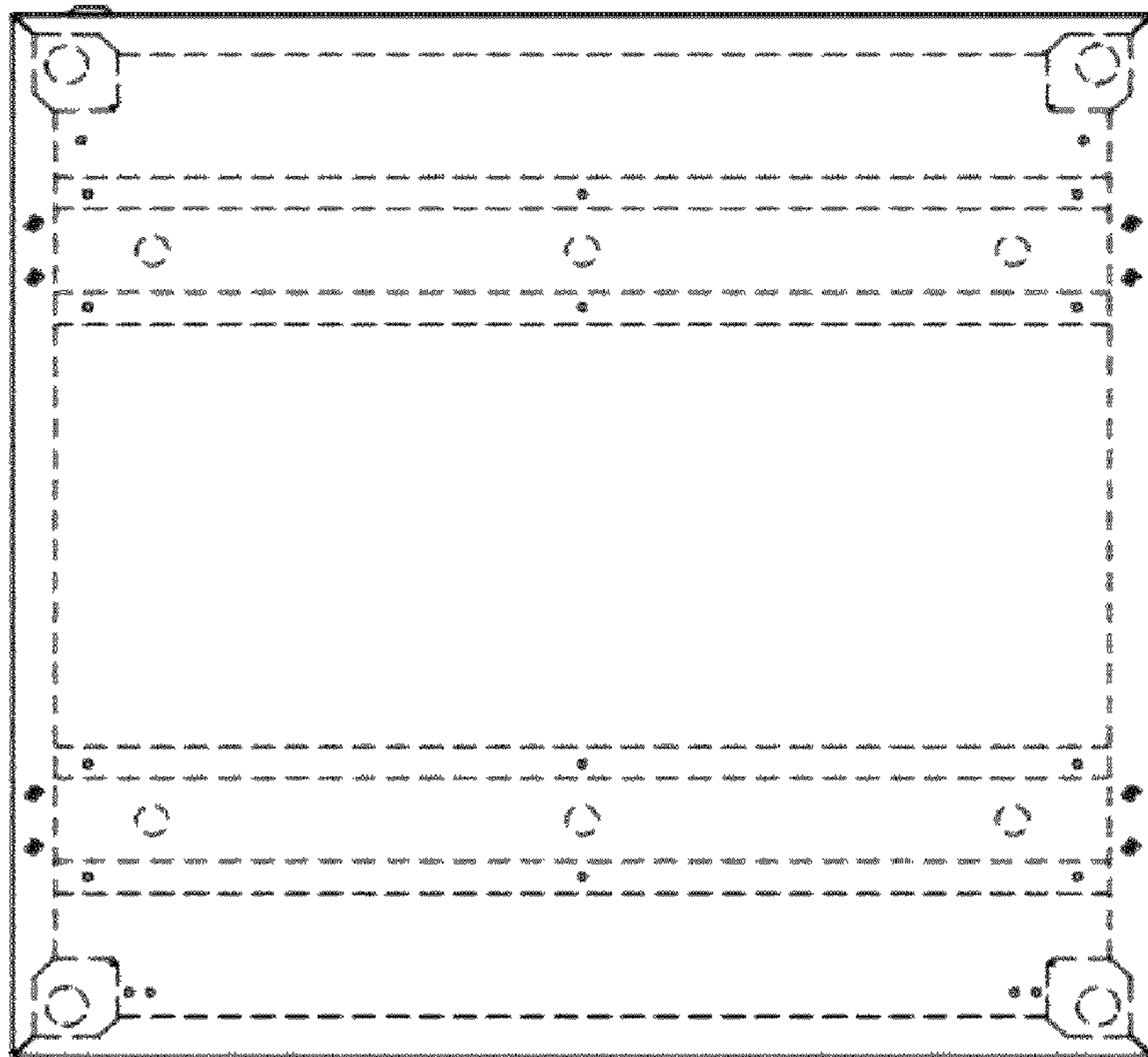


FIG. 7

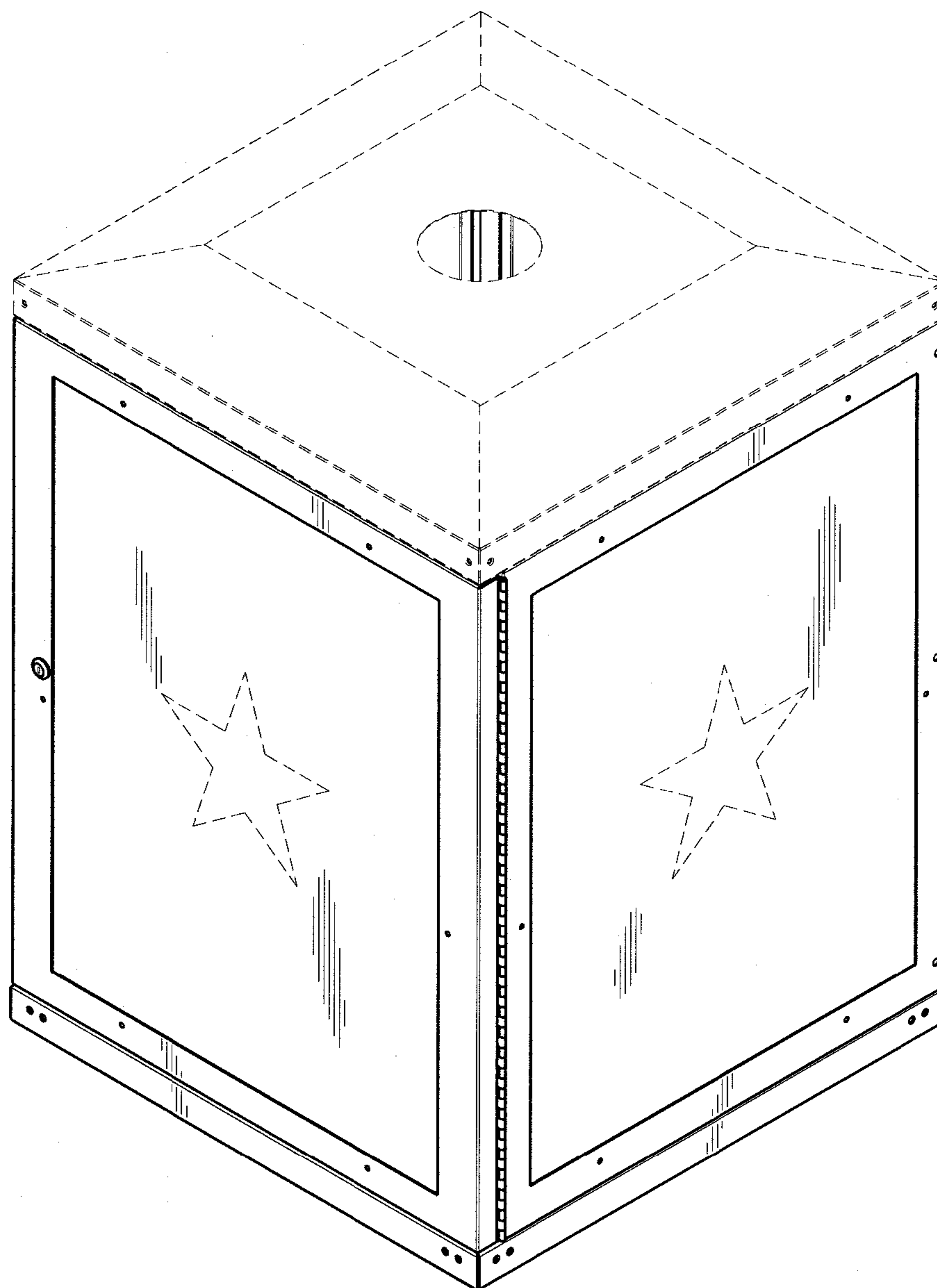


FIG. 8

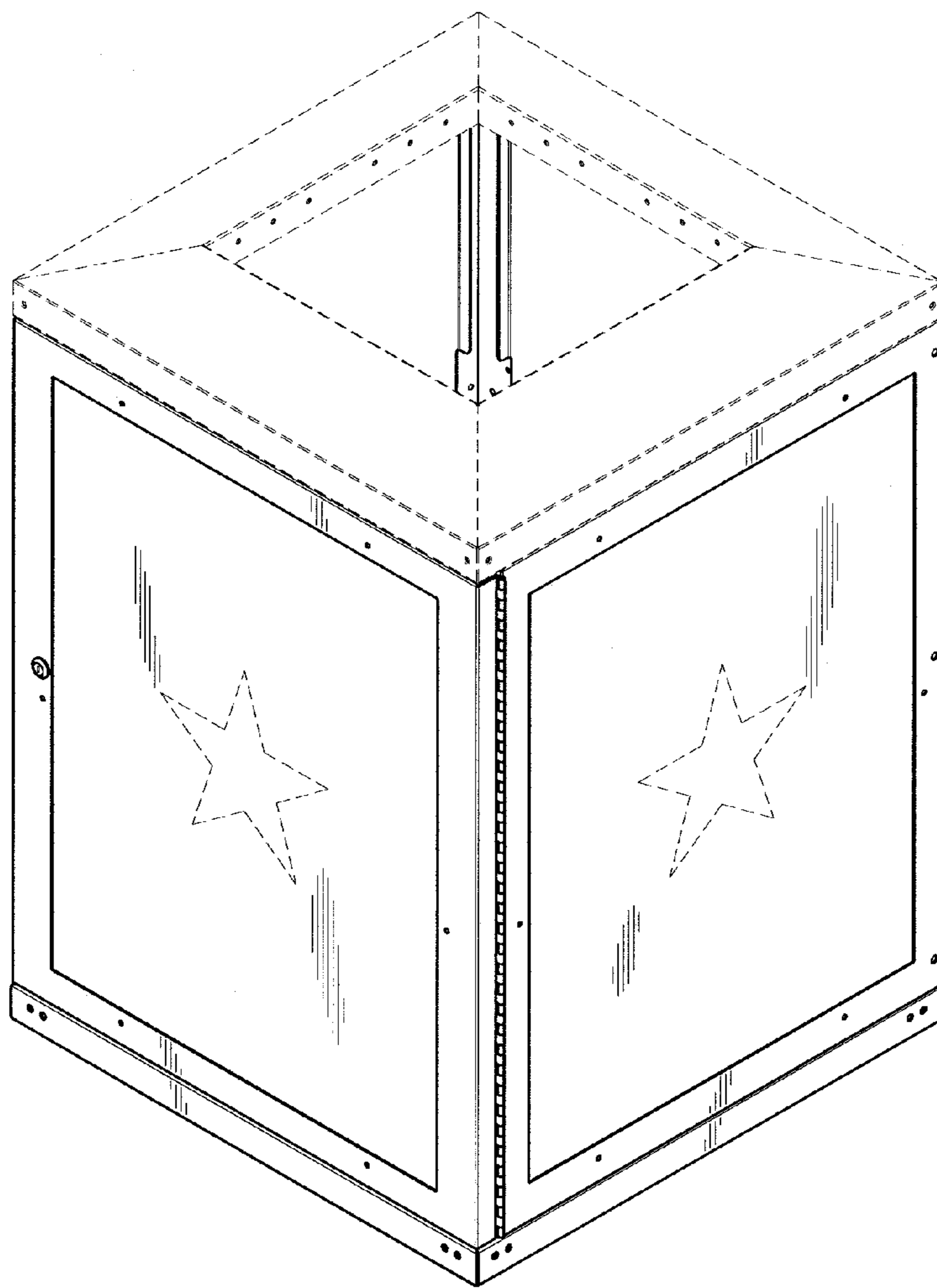


FIG. 9

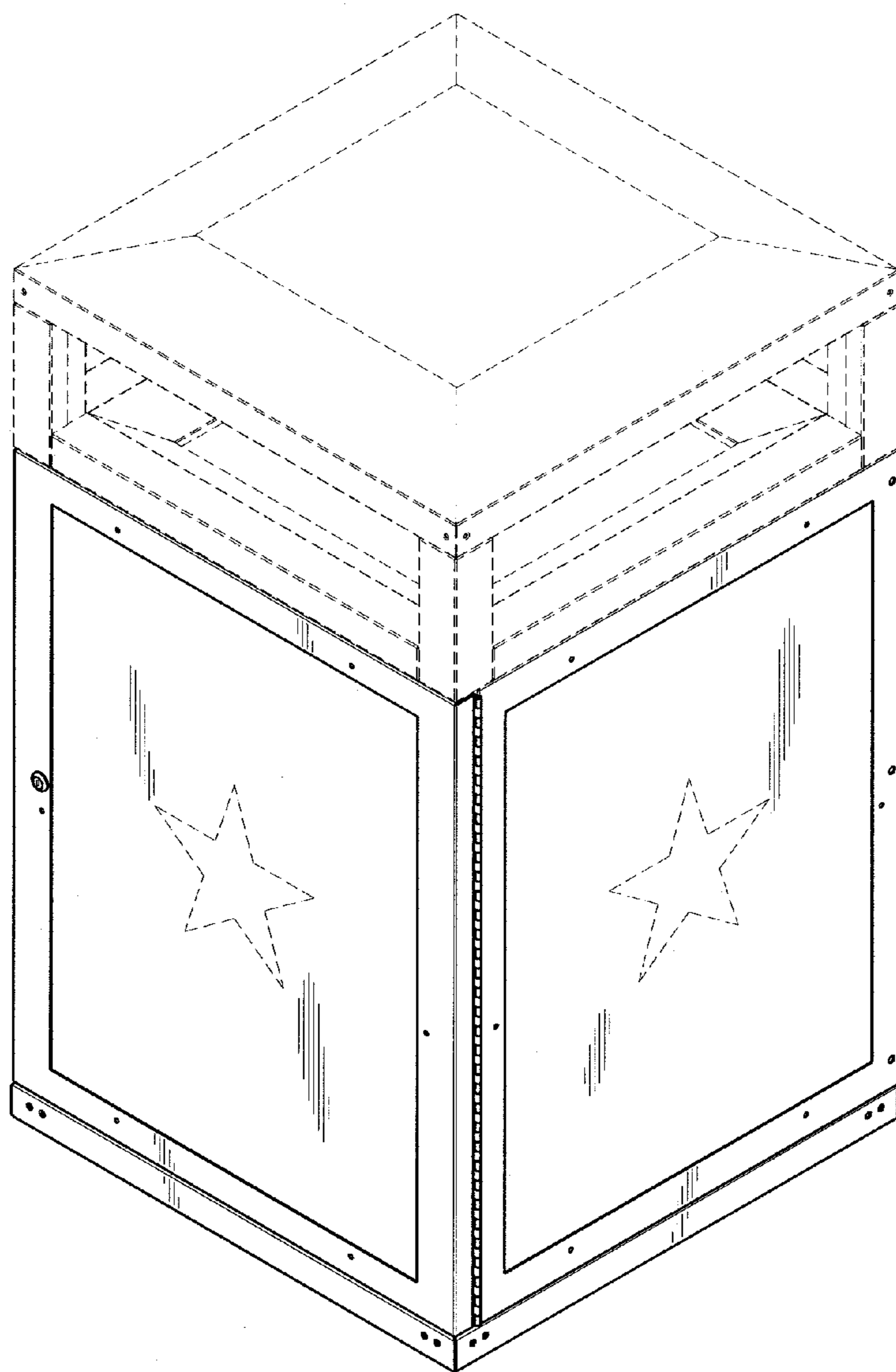


FIG. 10

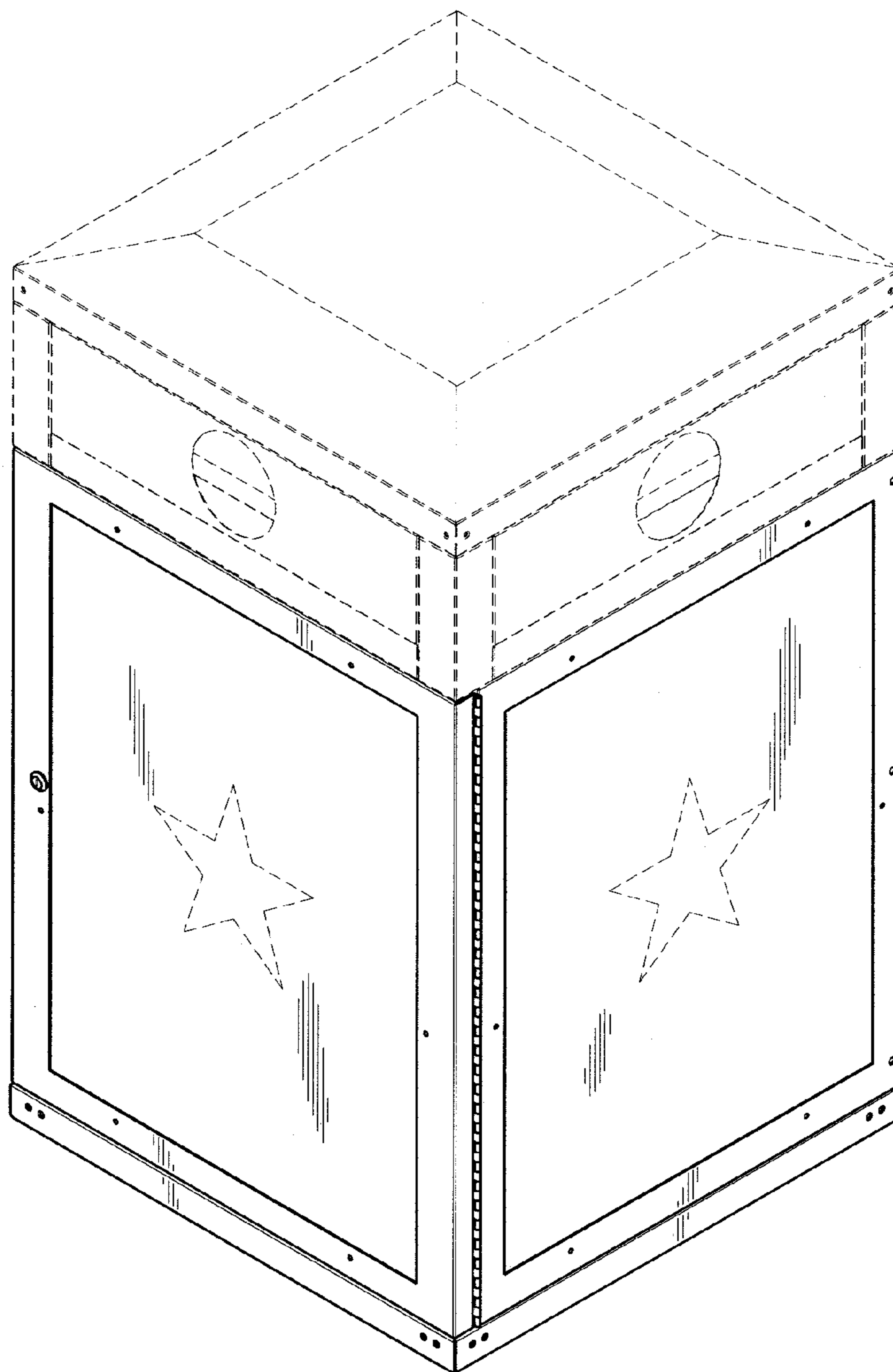


FIG. 11

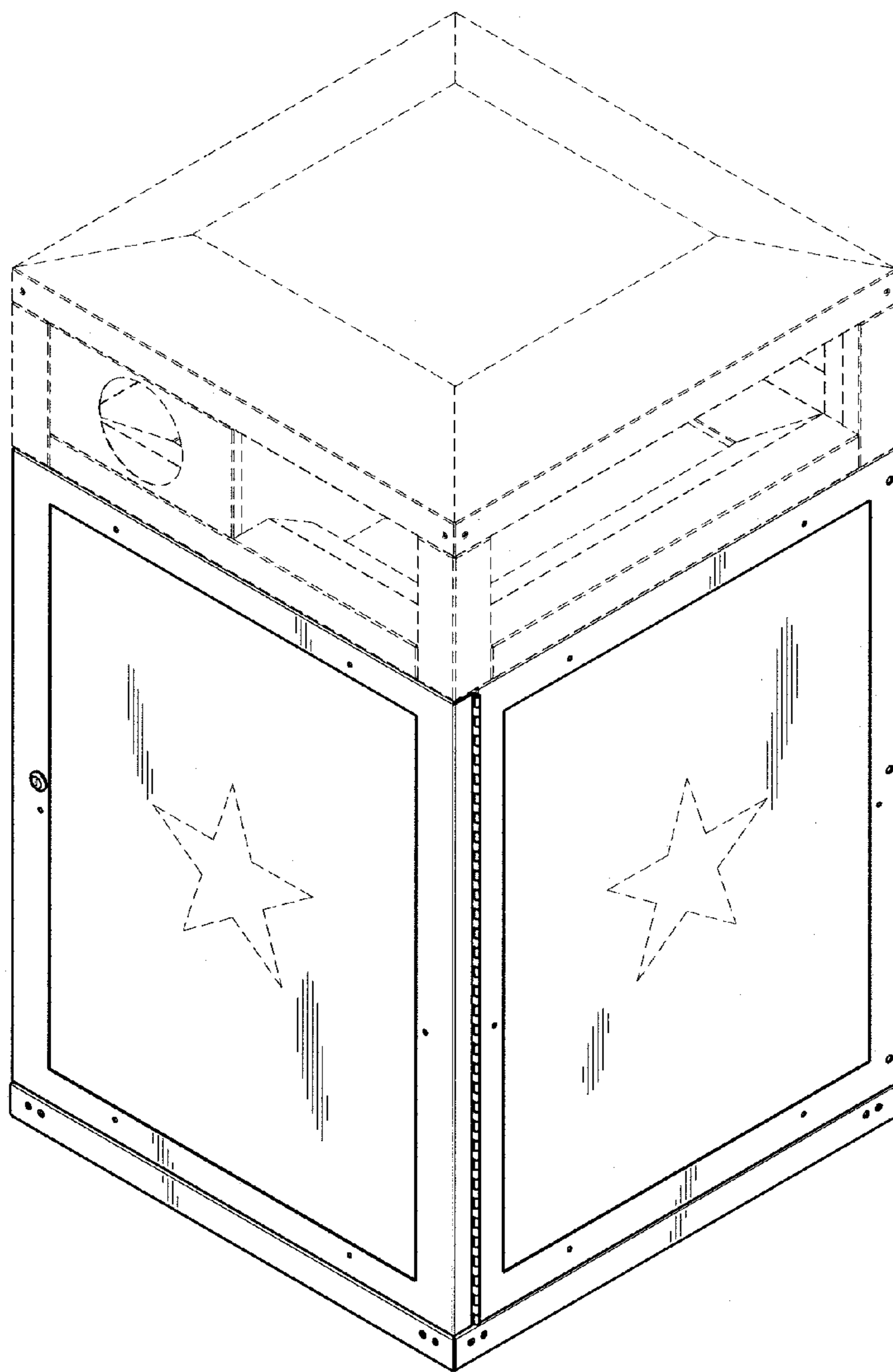


FIG. 12