



US00D662674S

(12) **United States Design Patent**
Tsengas

(10) **Patent No.:** **US D662,674 S**
(45) **Date of Patent:** **** Jun. 26, 2012**

(54) **PET FEEDER STAND WITH DUAL PET FEEDER BOWLS**

(75) Inventor: **Steven Tsengas**, Fairport Harbor, OH (US)

(73) Assignee: **OurPet's Company**, Fairport Harbor, OH (US)

(**) Term: **14 Years**

(21) Appl. No.: **29/378,410**

(22) Filed: **Nov. 4, 2010**

(51) **LOC (9) Cl.** **30-03**

(52) **U.S. Cl.** **D30/133; D30/130; D30/131**

(58) **Field of Classification Search** D30/133, D30/121, 128, 130, 132; 119/52.1, 55, 61.5-61.56; D6/480-485; 248/188; 312/204; 108/153.1-157
See application file for complete search history.

(56) **References Cited**

U.S. PATENT DOCUMENTS

D89,262	S	*	2/1933	Nunimaker	D30/130
D105,450	S	*	7/1937	Clifton	D30/130
D237,787	S	*	11/1975	Weyrich, Jr.	D34/24
4,044,723	A	*	8/1977	Fitzpatrick	119/61.5
D257,914	S	*	1/1981	Wooters	D12/419
D258,018	S	*	1/1981	Venditto et al.	D30/130
D267,901	S	*	2/1983	Johnstonbaugh	D27/135
D315,974	S	*	4/1991	Steiner	D30/131
D340,552	S	*	10/1993	Smith	D30/121
5,327,838	A	*	7/1994	Beltman	108/25
5,509,376	A	*	4/1996	Tsengas	119/51.5
D374,517	S	*	10/1996	Morrill	D30/133
D377,244	S	*	1/1997	Steininger	D30/133
5,730,081	A	*	3/1998	Tsengas	119/51.5
D406,925	S	*	3/1999	Sharon	D30/129
D412,377	S	*	7/1999	Sharon	D30/130
D414,303	S	*	9/1999	Sharon	D30/130
D424,759	S	*	5/2000	Sipka	D30/130
6,209,487	B1	*	4/2001	Quinlan et al.	119/51.01
D477,691	S	*	7/2003	Crowley	D30/131
D478,193	S	*	8/2003	Routh	D30/131
6,786,177	B1	*	9/2004	Lemkin	119/51.01
D551,400	S	*	9/2007	Tsengas et al.	D30/133
7,341,019	B1	*	3/2008	Tsengas	119/61.5

D577,466	S	*	9/2008	Shamoon	D30/133
D592,814	S	*	5/2009	Uffner et al.	D30/133
D597,262	S	*	7/2009	Shamoon et al.	D30/130
D606,711	S	*	12/2009	Becattini et al.	D30/133

(Continued)

Primary Examiner — Susan Moon Lee

(74) *Attorney, Agent, or Firm* — John D. Gugliotta, Esq.

(57) **CLAIM**

The ornamental design for a pet feeder stand with dual pet feeder bowls, as shown and described.

DESCRIPTION

FIG. 1 is a perspective view of a pet feeder stand with dual pet feeder bowls showing my new design;

FIG. 2 is a top plan view thereof;

FIG. 3 is a bottom plan view thereof;

FIG. 4 is a side elevational view thereof, the opposite side being a mirror image;

FIG. 5 is a front elevational view, the opposite side being a mirror image;

FIG. 6 is a perspective view of a pet feeder stand with dual pet feeder bowls showing my new design according to a second embodiment;

FIG. 7 is a top plan view thereof;

FIG. 8 is a bottom plan view thereof;

FIG. 9 is a side elevational view thereof, the opposite side being a mirror image;

FIG. 10 is a front elevational view, the opposite side being a mirror image;

FIG. 11 is a perspective view of a pet feeder stand with dual pet feeder bowls showing my new design according to a third embodiment;

FIG. 12 is a top plan view thereof;

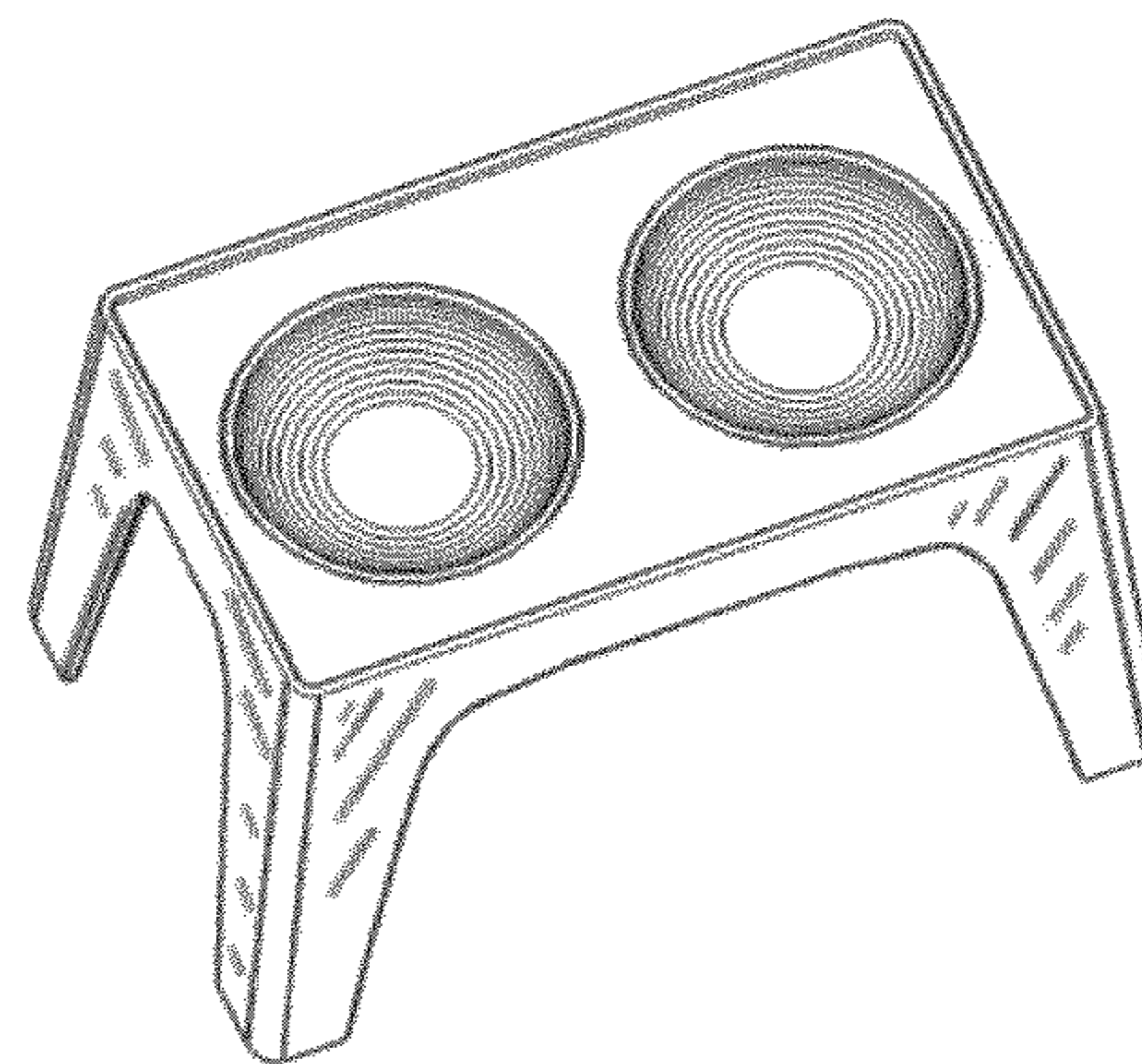
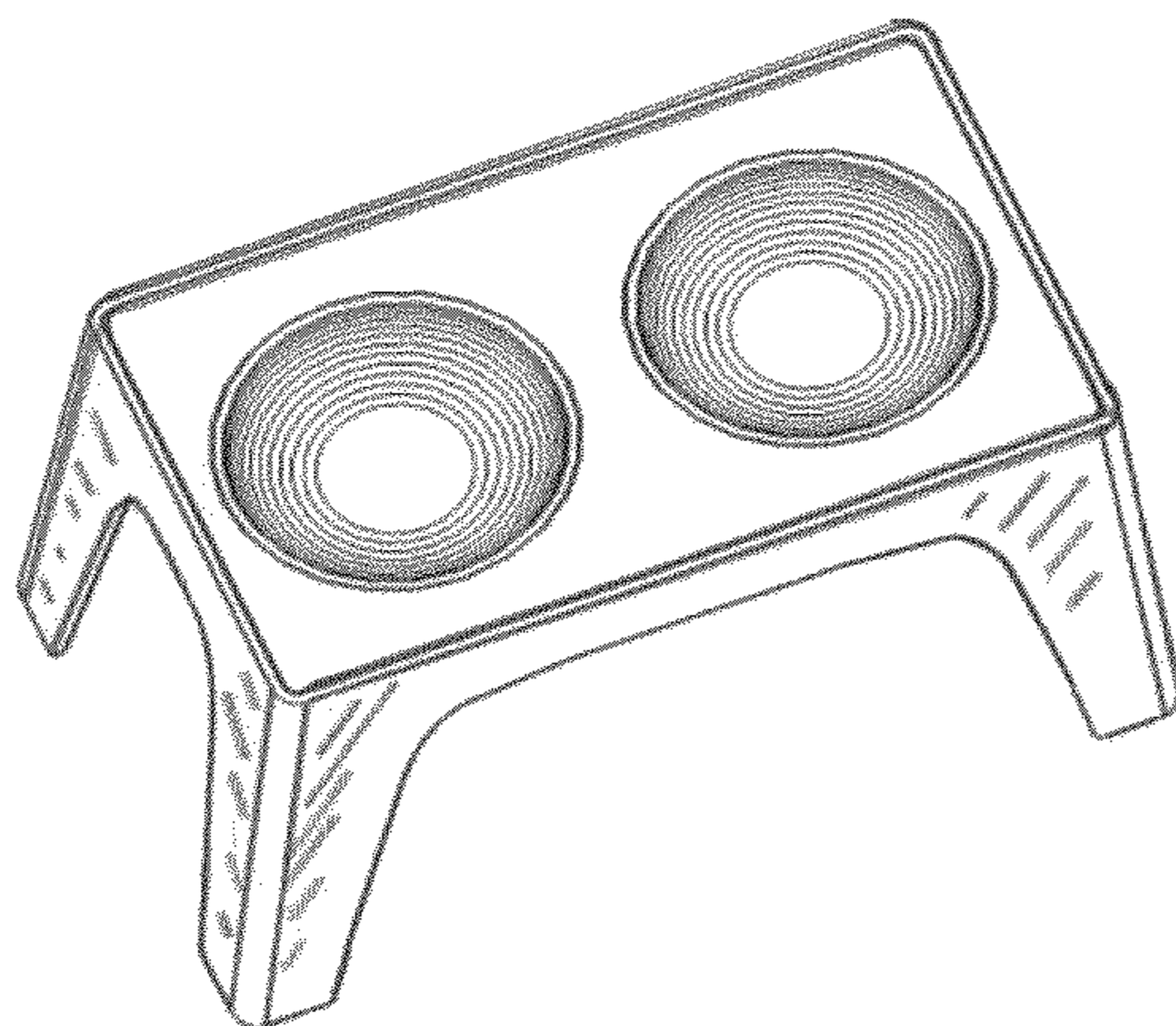
FIG. 13 is a bottom plan view thereof;

FIG. 14 is a side elevational view thereof, the opposite side being a mirror image; and,

FIG. 15 is a front elevational view, the opposite side being a mirror image.

Any oblique shading lines implemented in the drawings are not indicative of transparency.

1 Claim, 7 Drawing Sheets



US D662,674 S

Page 2

U.S. PATENT DOCUMENTS

7,658,267	B1 *	2/2010	Welsh	182/181.1	2005/0115508	A1 *	6/2005	Little	119/61.5
D618,862	S *	6/2010	Shamoon et al.	D30/133	2007/0199511	A1 *	8/2007	Weinblatt	119/61.5
D621,559	S *	8/2010	Clark, Jr.	D30/133	2008/0190372	A1 *	8/2008	Horvath	119/61.56
D642,338	S *	7/2011	Becattini et al.	D30/133	2008/0196668	A1 *	8/2008	Clark	119/51.5
D647,667	S *	10/2011	Siklosi	D30/133	2010/0107984	A1 *	5/2010	Uffner et al.	119/61.5
D647,668	S *	10/2011	Siklosi	D30/133	2010/0162961	A1 *	7/2010	Hove et al.	119/51.5
D653,001	S *	1/2012	Tsengas	D30/133	2010/0300365	A1 *	12/2010	Weinblatt	119/61.5
2003/0106498	A1 *	6/2003	Mersits et al.	119/61					

* cited by examiner

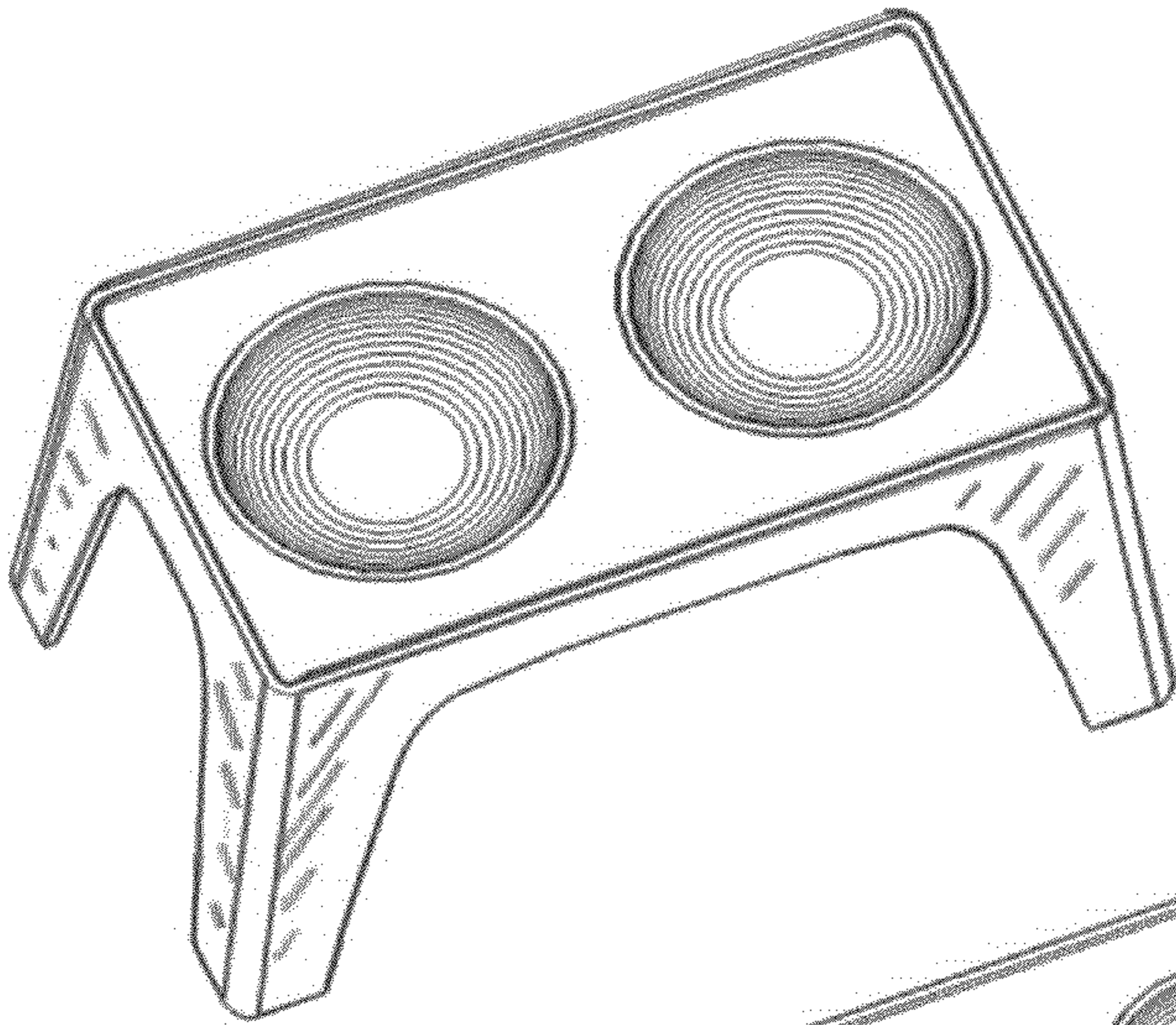


Fig 1

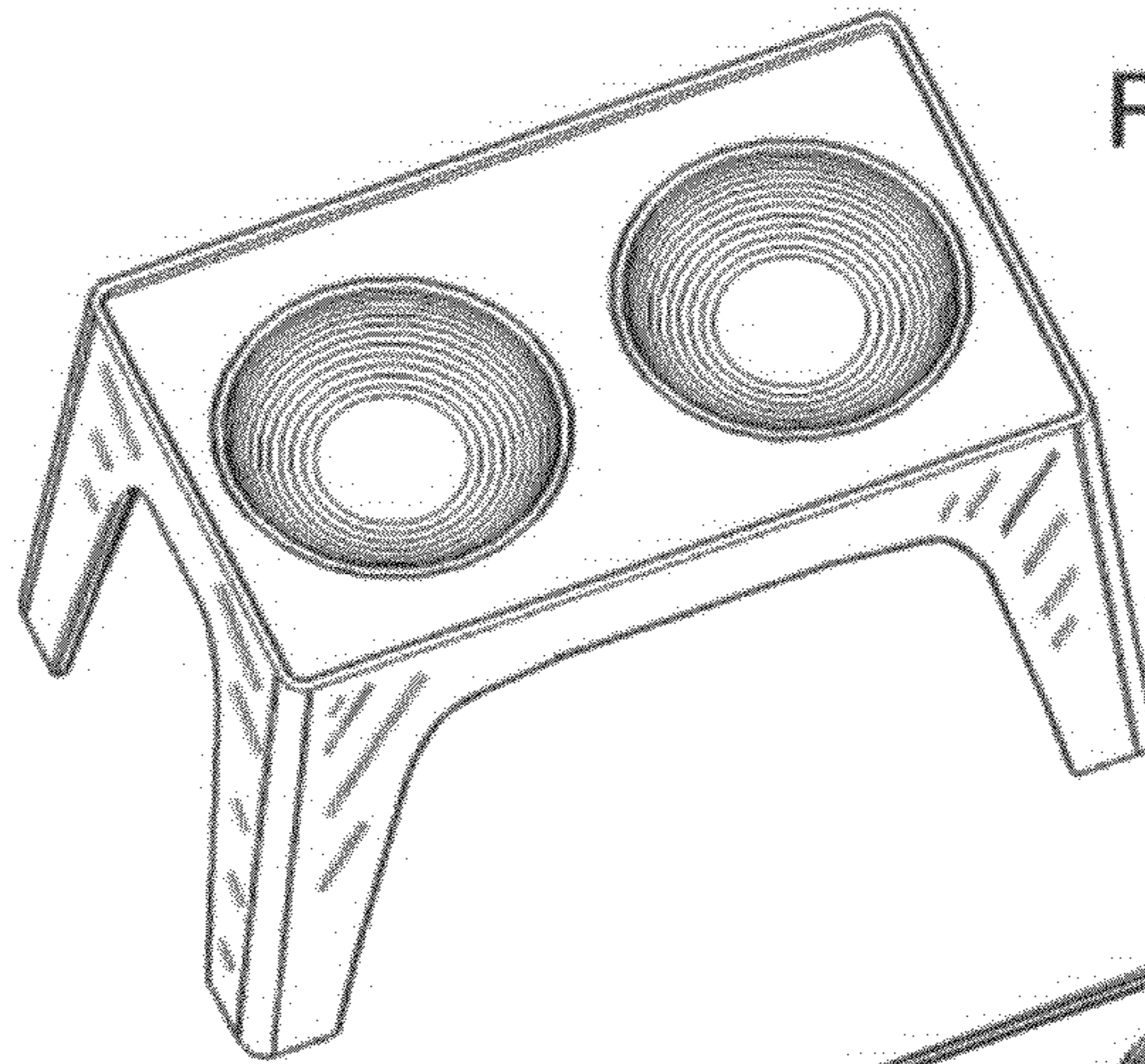


Fig 6

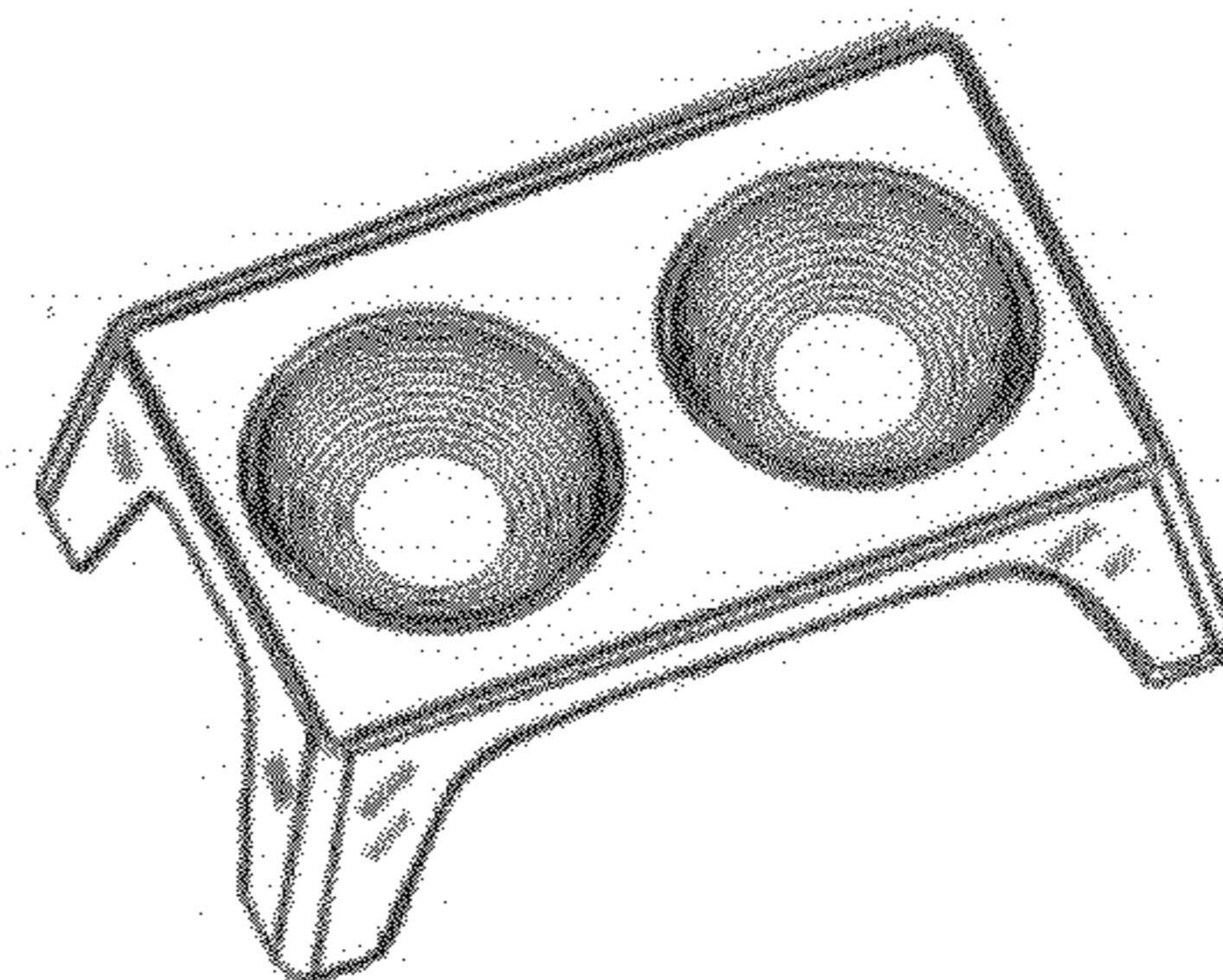


Fig 11

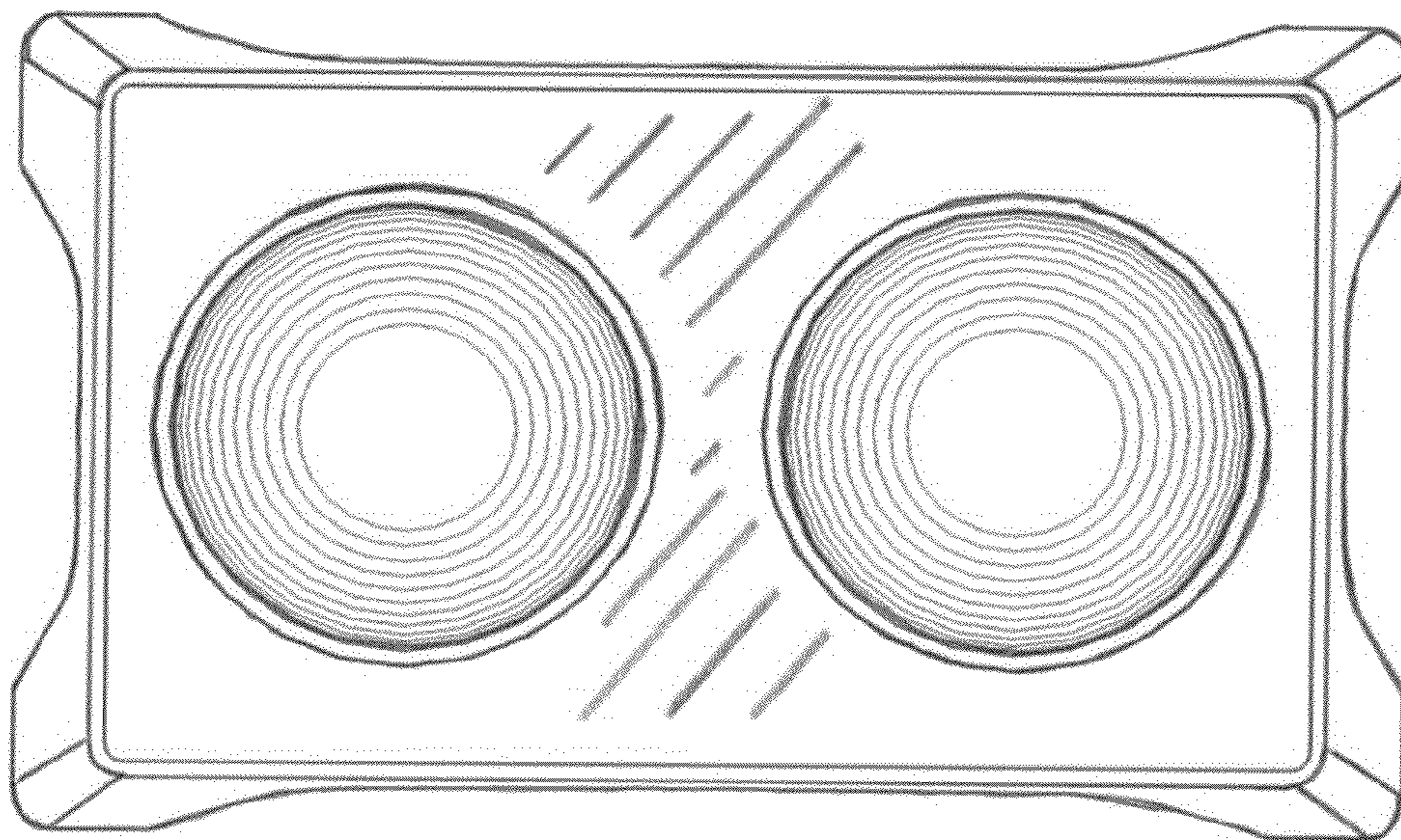


Fig 2

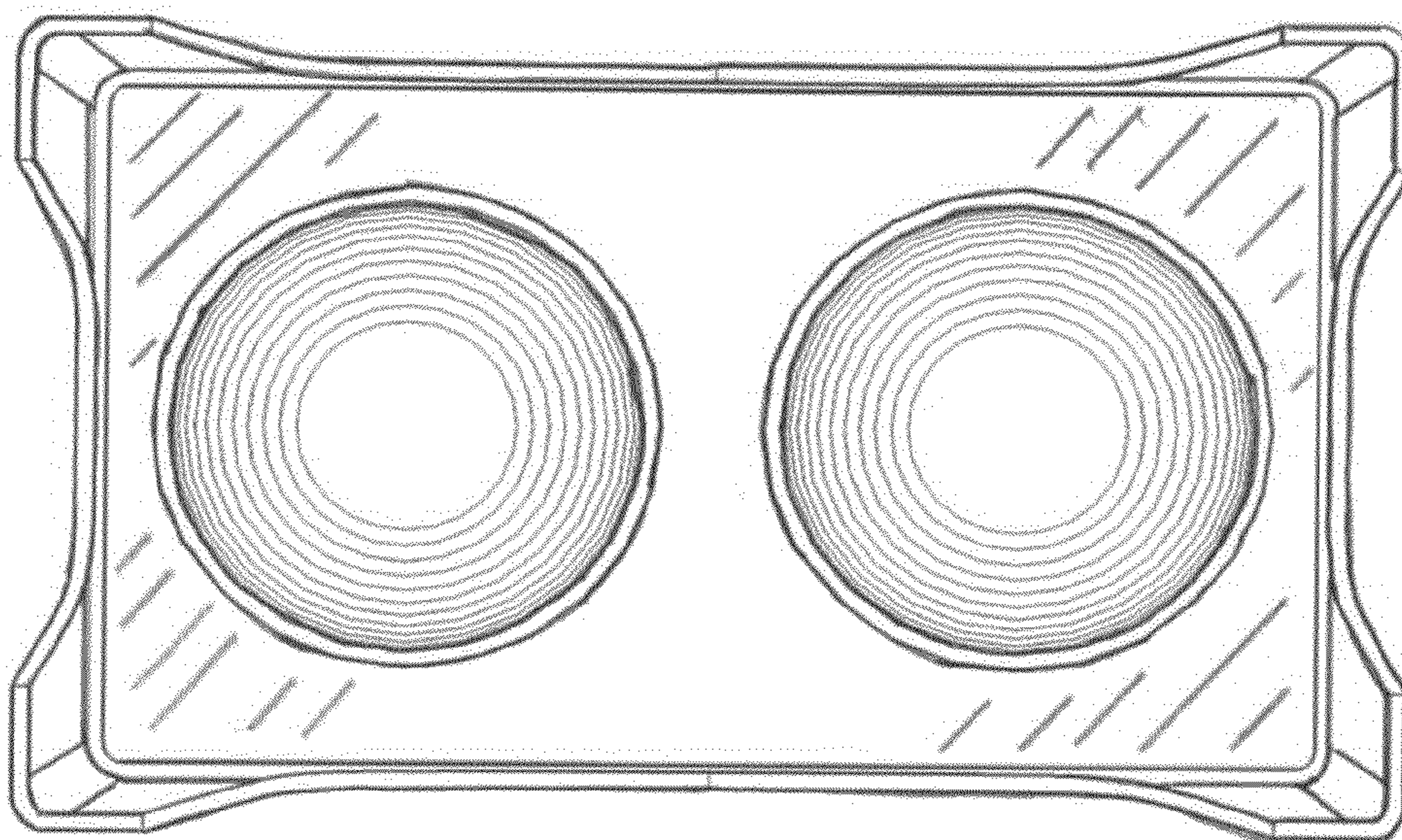


Fig 3

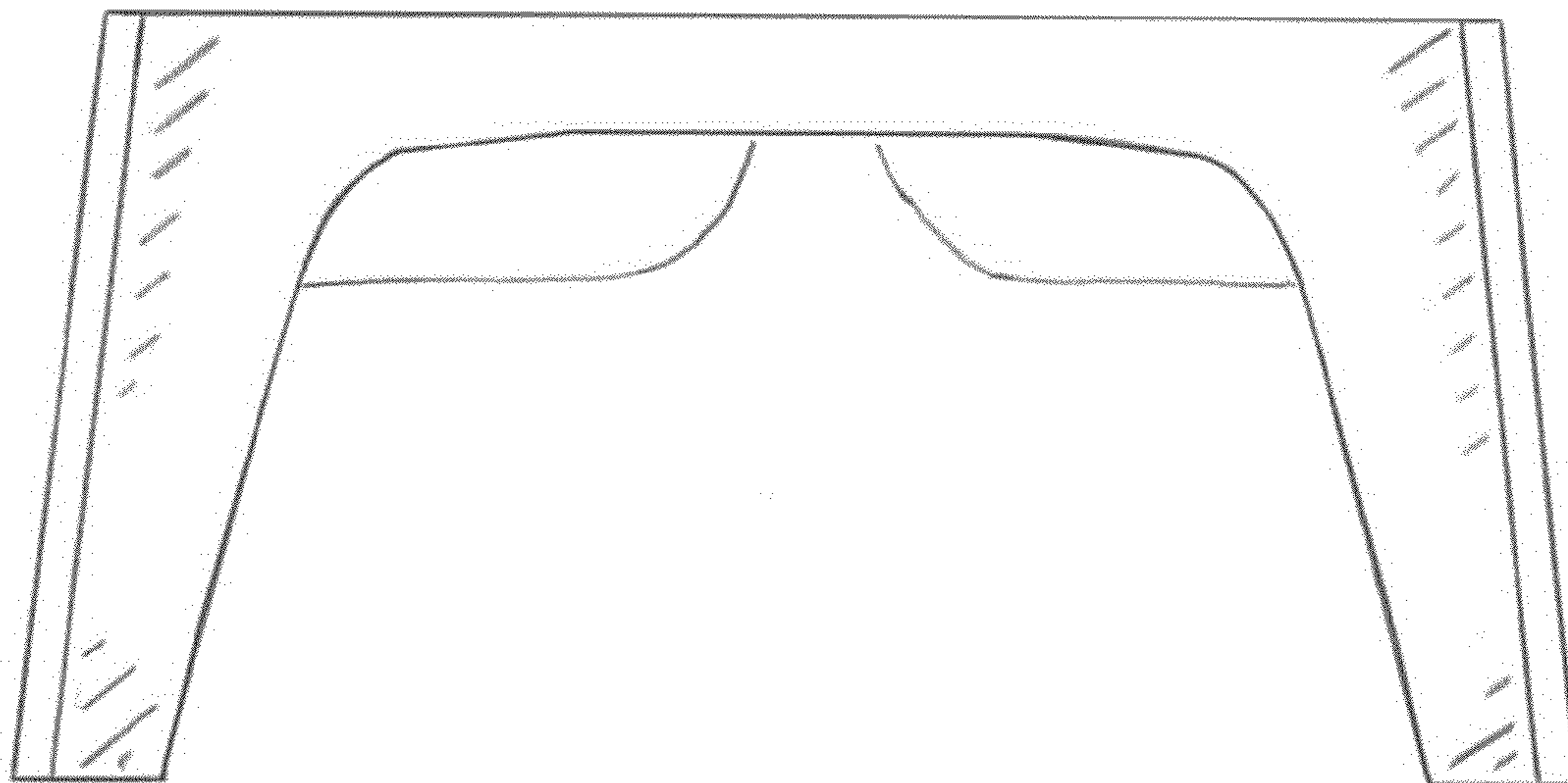


Fig 4

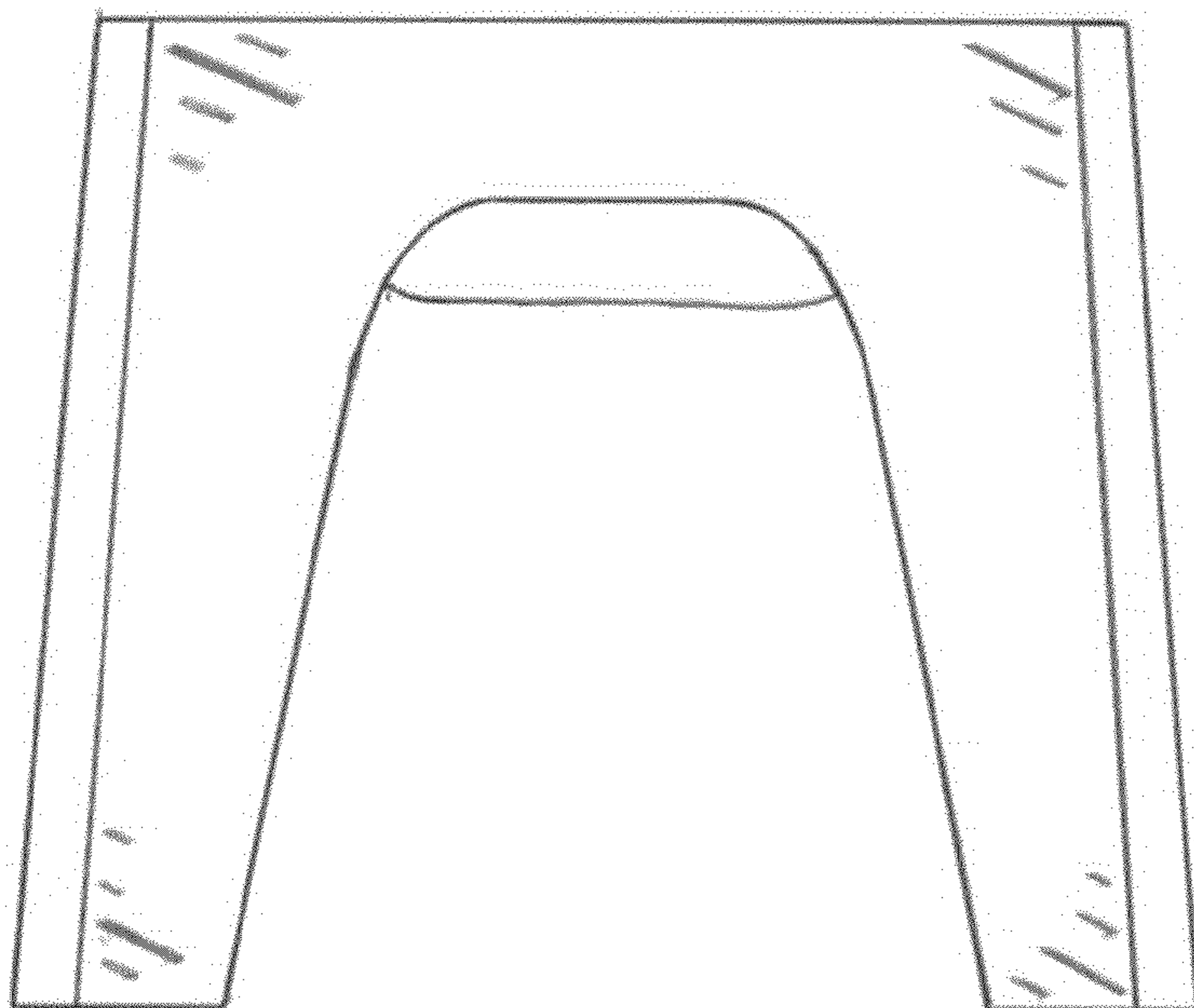


Fig 5

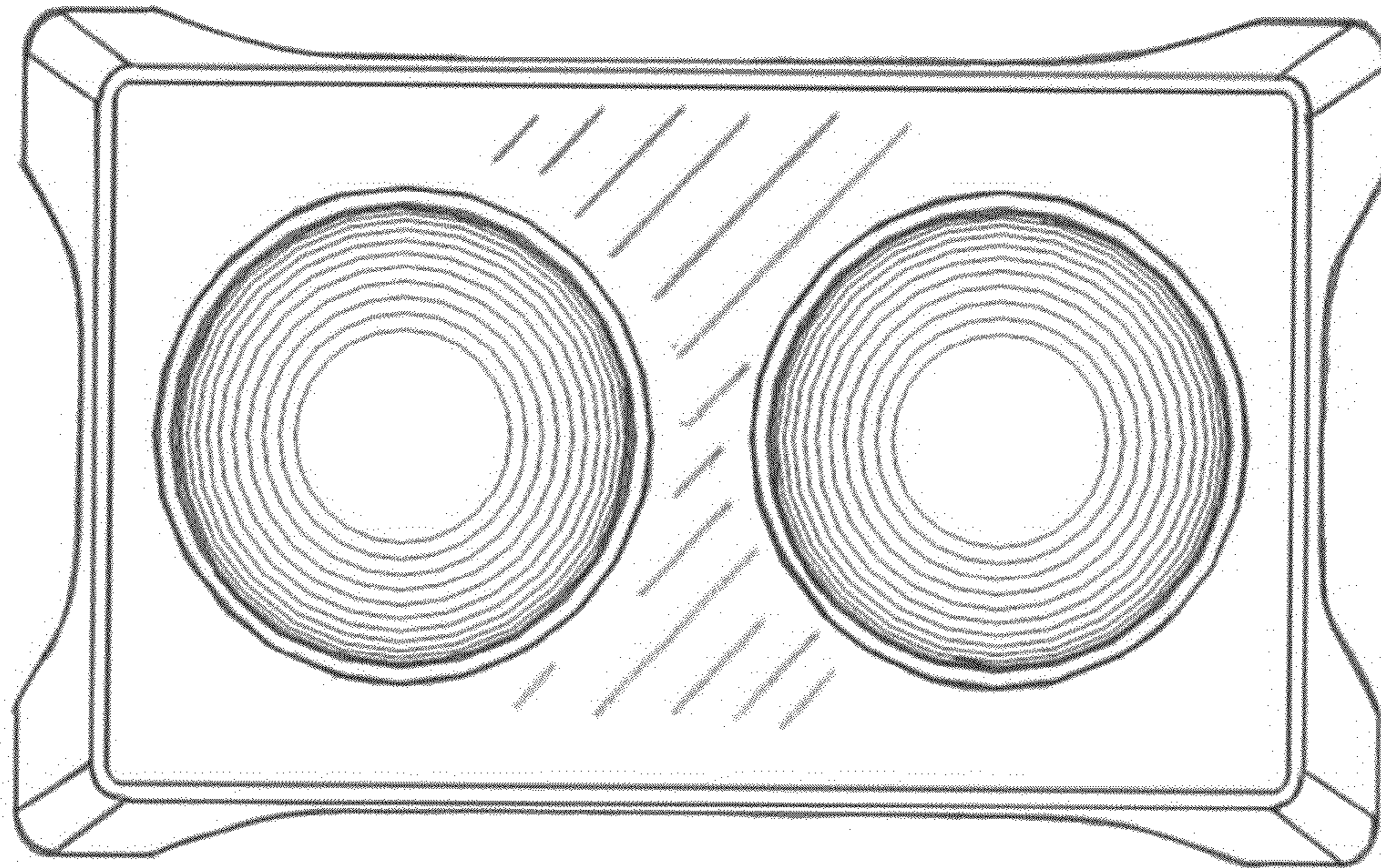


Fig 7

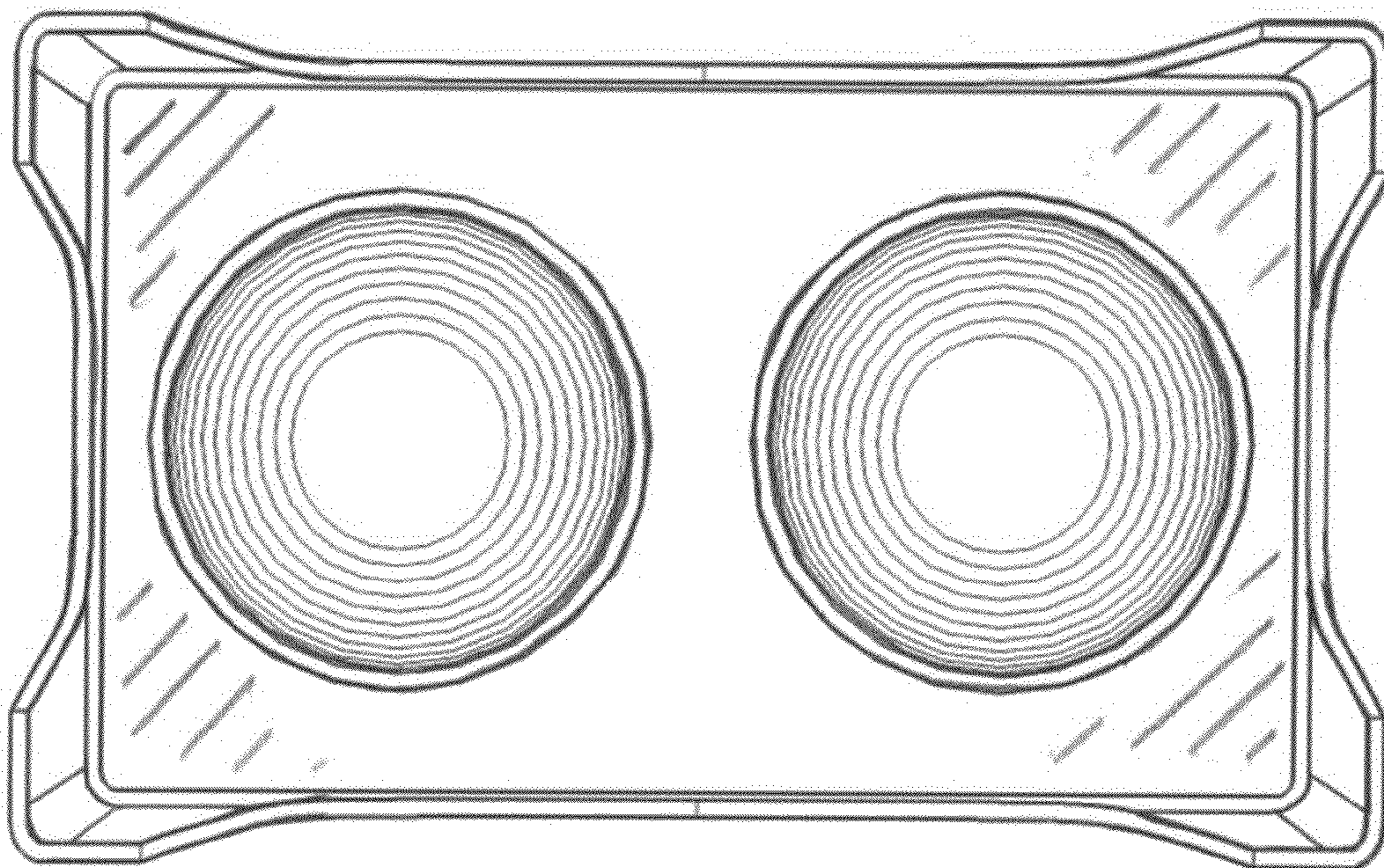


Fig 8

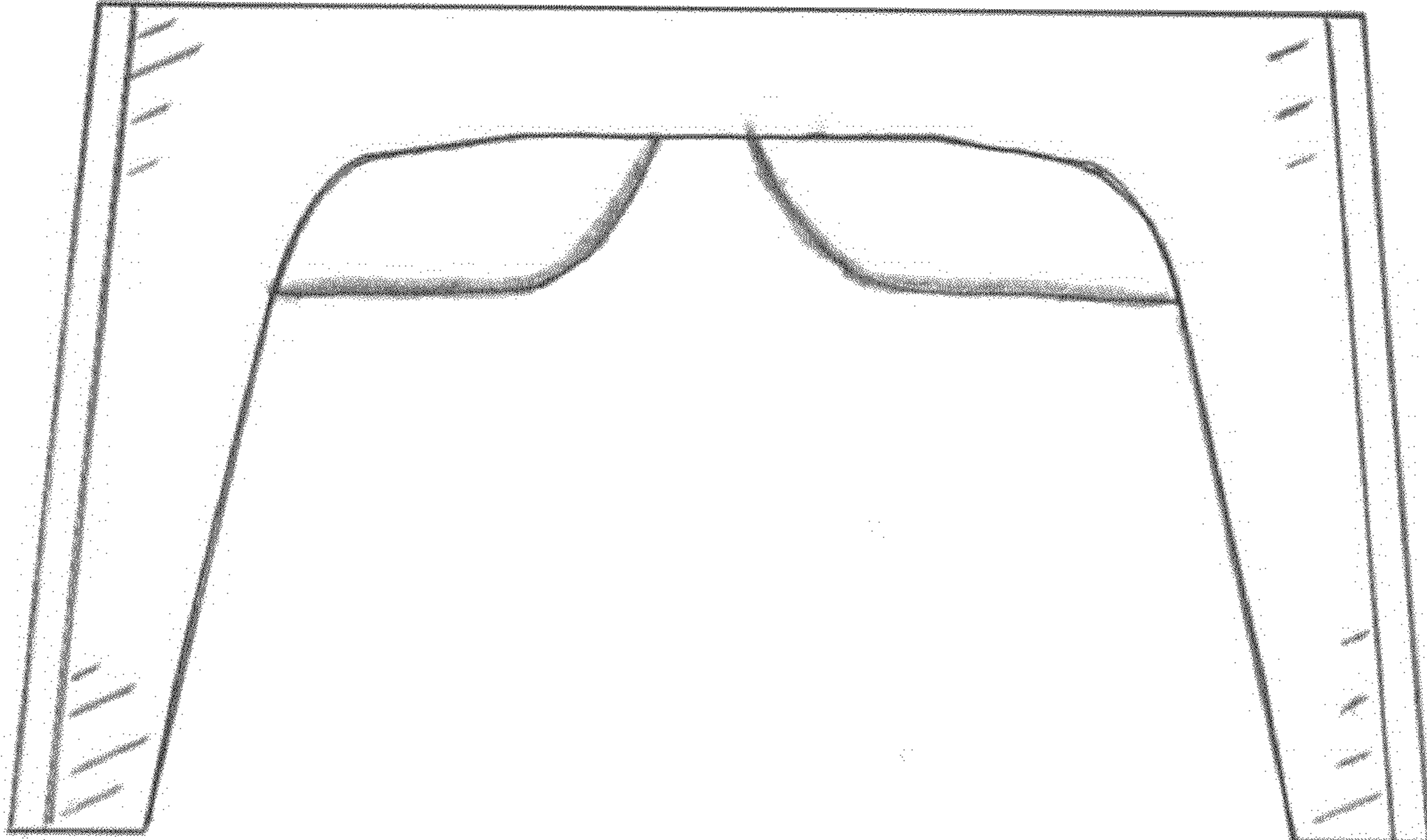


Fig 9

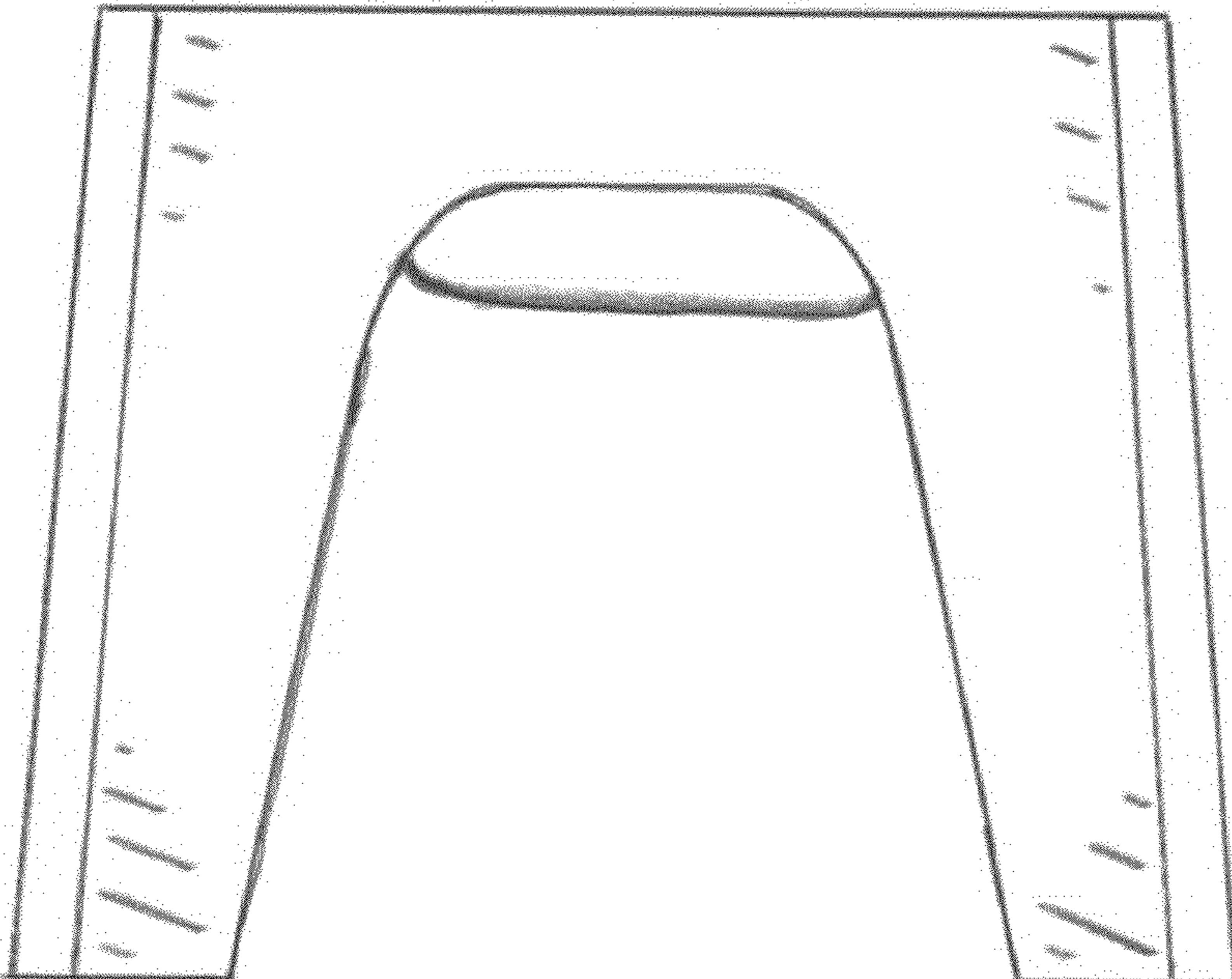


Fig 10

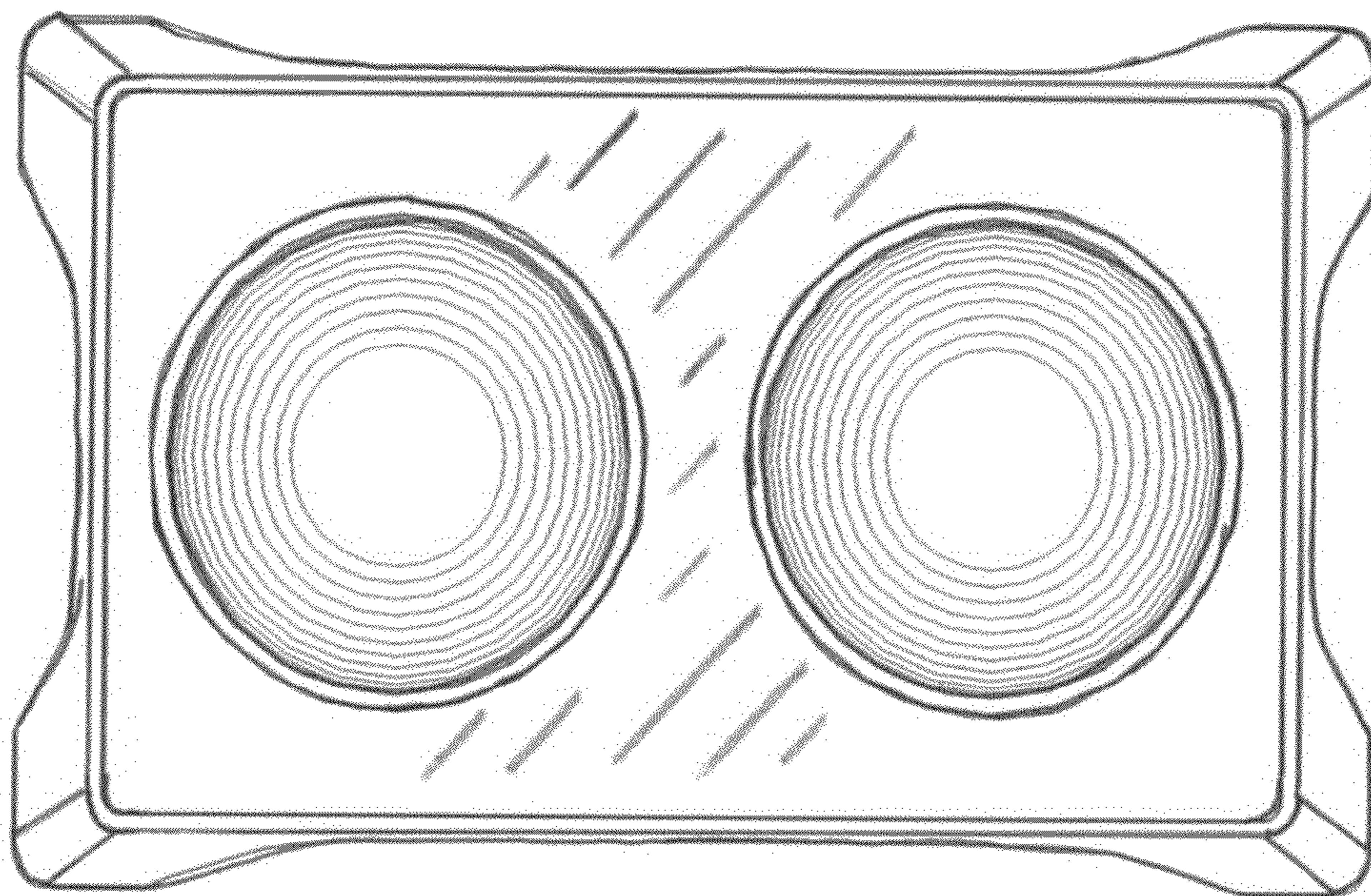


Fig 12

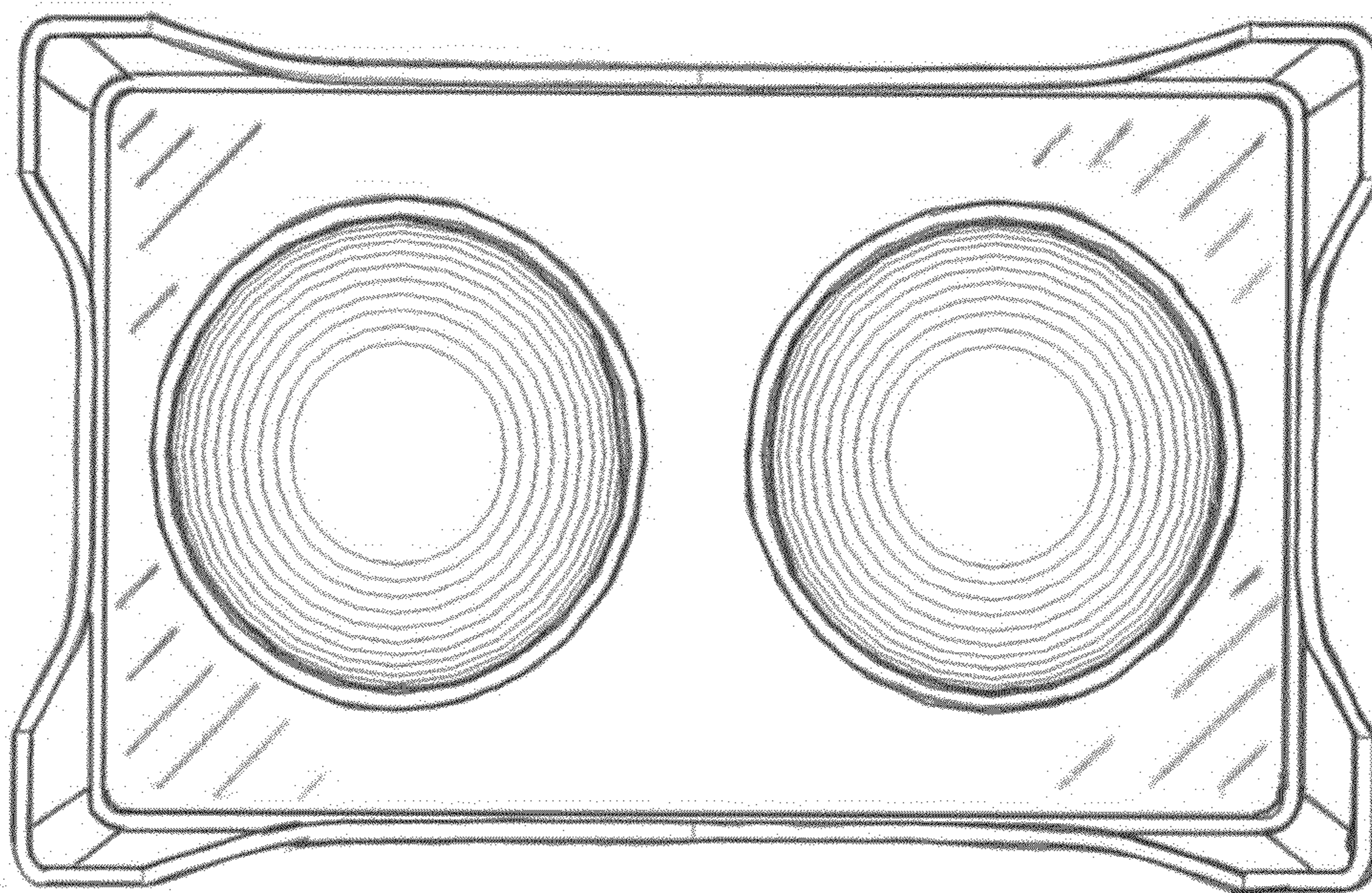


Fig 13

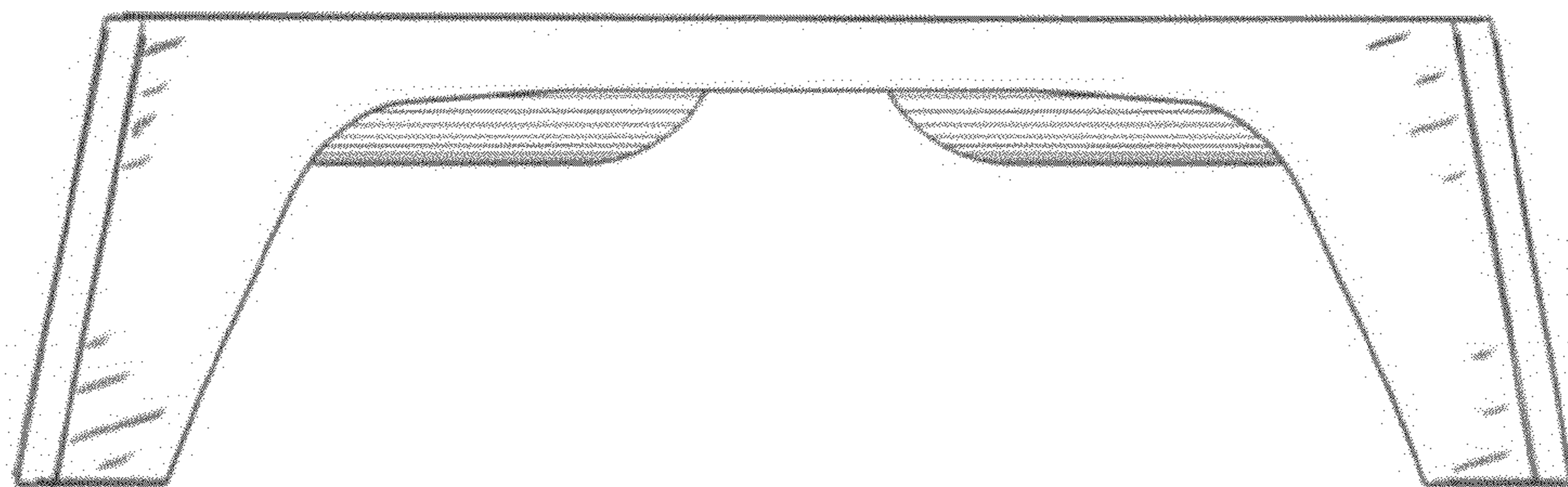


Fig 14

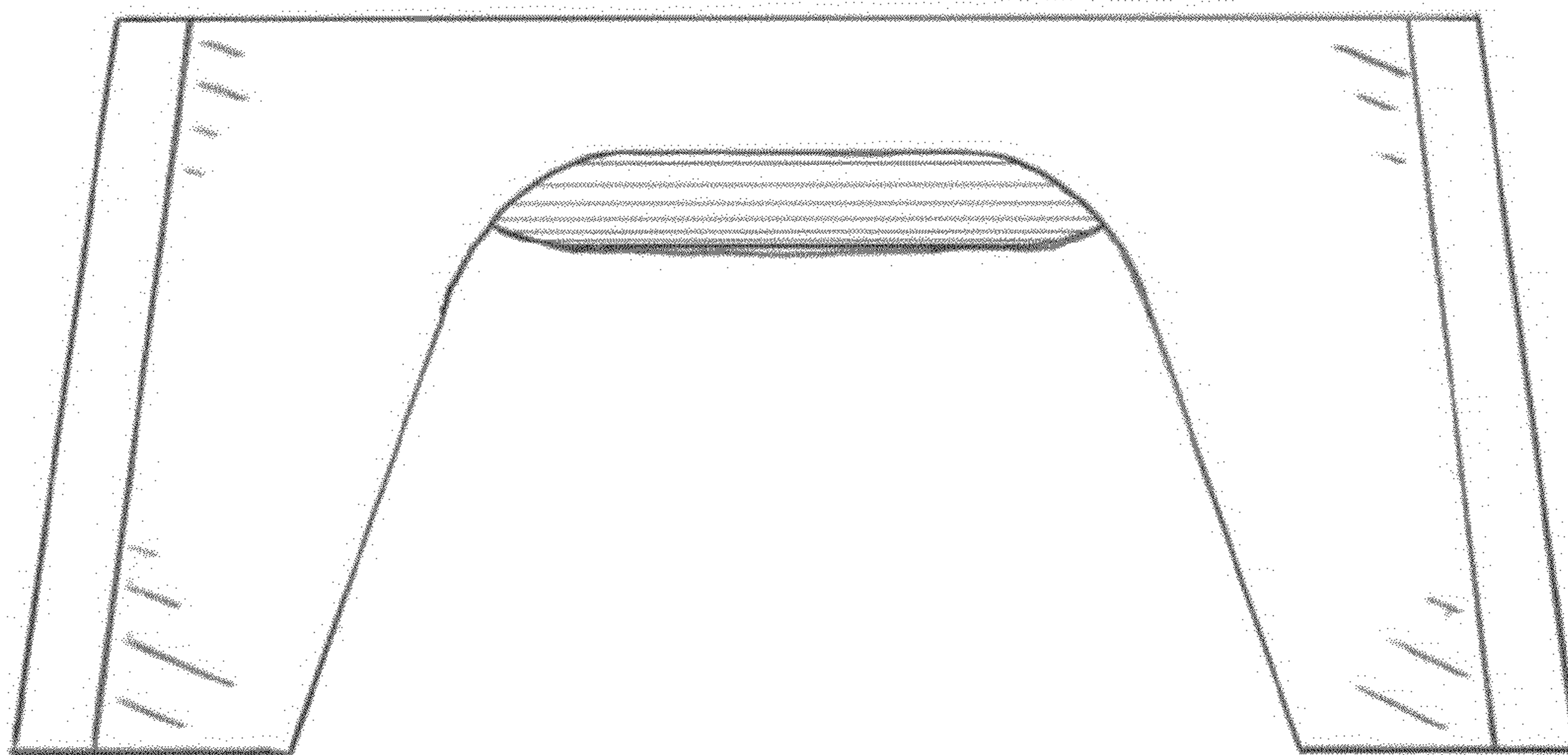


Fig 15