

US00D662666S

(12) **United States Design Patent**
Christie et al.

(10) **Patent No.:** **US D662,666 S**
(45) **Date of Patent:** **** Jun. 26, 2012**

(54) **RAZOR HANDLE**

(75) Inventors: **Vanessa Christie**, Boston, MA (US);
Kristopher William Schulz,
Framingham, MA (US)

(73) Assignee: **The Gillette Company**, Boston, MA
(US)

(**) Term: **14 Years**

(21) Appl. No.: **29/400,393**

(22) Filed: **Aug. 26, 2011**

(51) **LOC (9) Cl.** **28-03**

(52) **U.S. Cl.** **D28/48**

(58) **Field of Classification Search** D28/44-48;
30/32, 34.05, 34.1-34.2, 42-61, 77-84, 526-538,
30/346.5-346.61

See application file for complete search history.

(56) **References Cited**

U.S. PATENT DOCUMENTS

D558,923	S	*	1/2008	Watson et al.	D28/48
D560,033	S	*	1/2008	Rhod et al.	D28/48
D614,353	S	*	4/2010	Christie et al.	D28/48
D614,354	S	*	4/2010	Christie et al.	D28/48
D615,707	S	*	5/2010	Lukan	D28/48
D617,950	S	*	6/2010	Christie et al.	D28/47
D635,718	S	*	4/2011	White et al.	D28/48

D636,533	S	*	4/2011	Andersen et al.	D28/48
D638,580	S	*	5/2011	Adams et al.	D28/46
D650,947	S	*	12/2011	Cataudella et al.	D28/48

* cited by examiner

Primary Examiner — Jennifer Rivard

(74) *Attorney, Agent, or Firm* — Ronald Terk Sia; Kevin C. Johnson; Steven W. Miller

(57) **CLAIM**

The ornamental design for a razor handle, as shown and described.

DESCRIPTION

FIG. 1 is a perspective view of a razor handle of the present invention;

FIG. 2 is a top view thereof;

FIG. 3 is a bottom view thereof;

FIG. 4 is a right side view thereof;

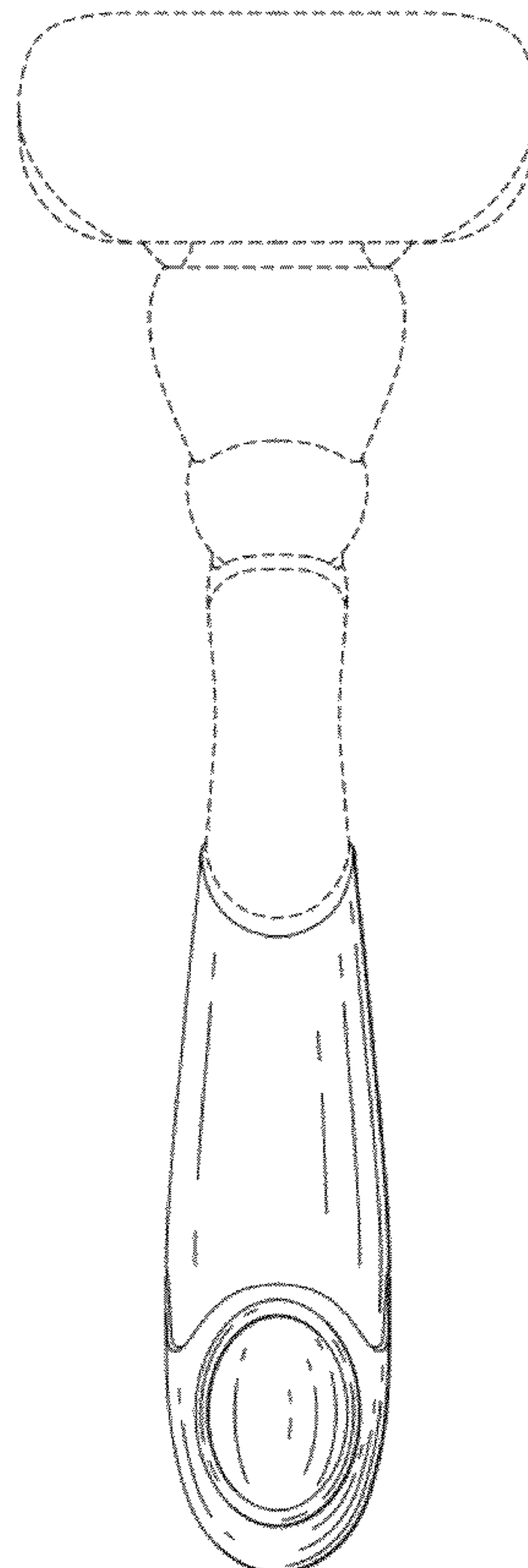
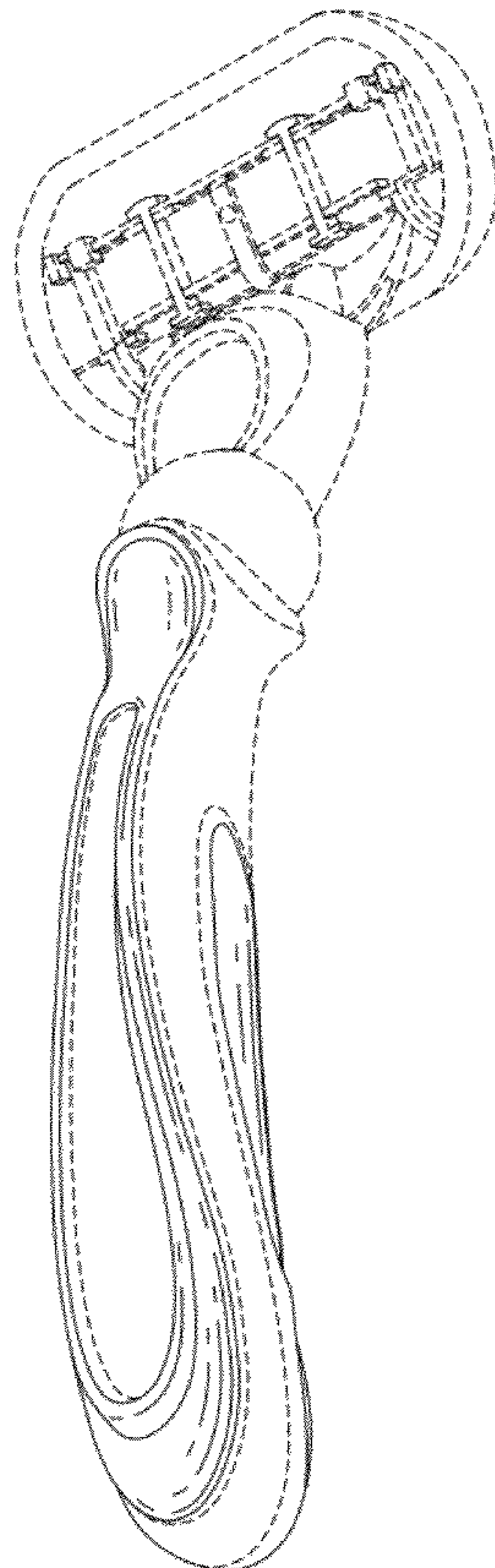
FIG. 5 is a left side view thereof;

FIG. 6 is a front view thereof; and,

FIG. 7 is a rear view thereof.

The broken lines immediately adjacent the surface shade lines along the bottom of the razor handle define the claimed design for the bottom surface of the razor handle. All other broken lines represent the environment of the claimed design. None of the broken lines forms a part of the claimed design.

1 Claim, 5 Drawing Sheets



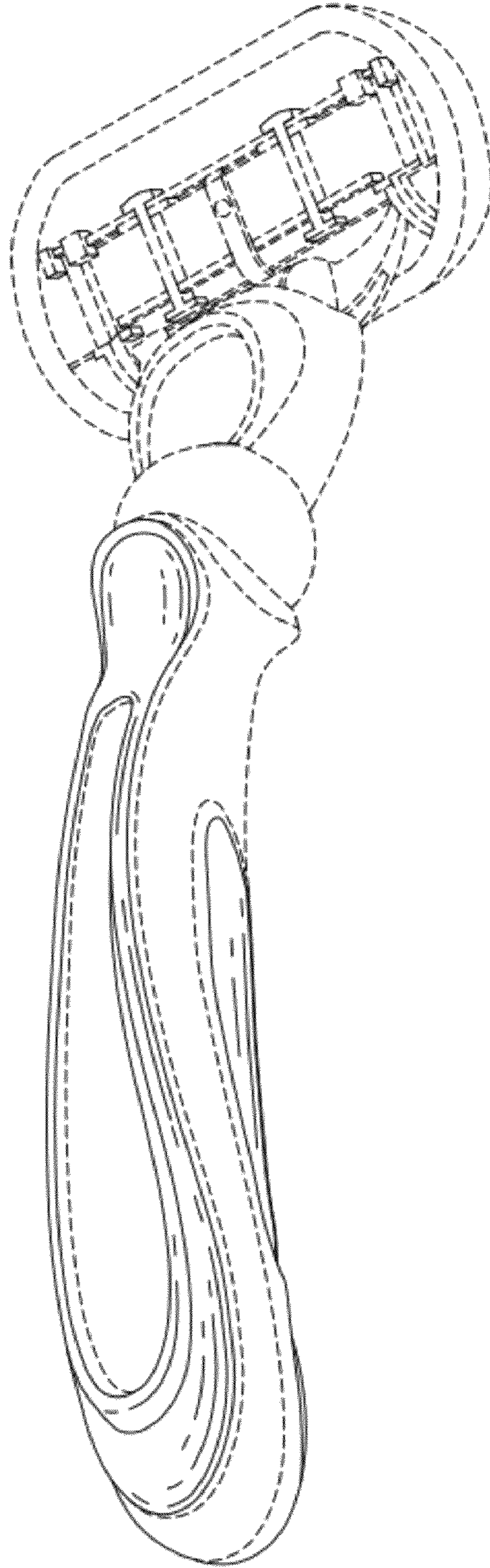


FIG. 1

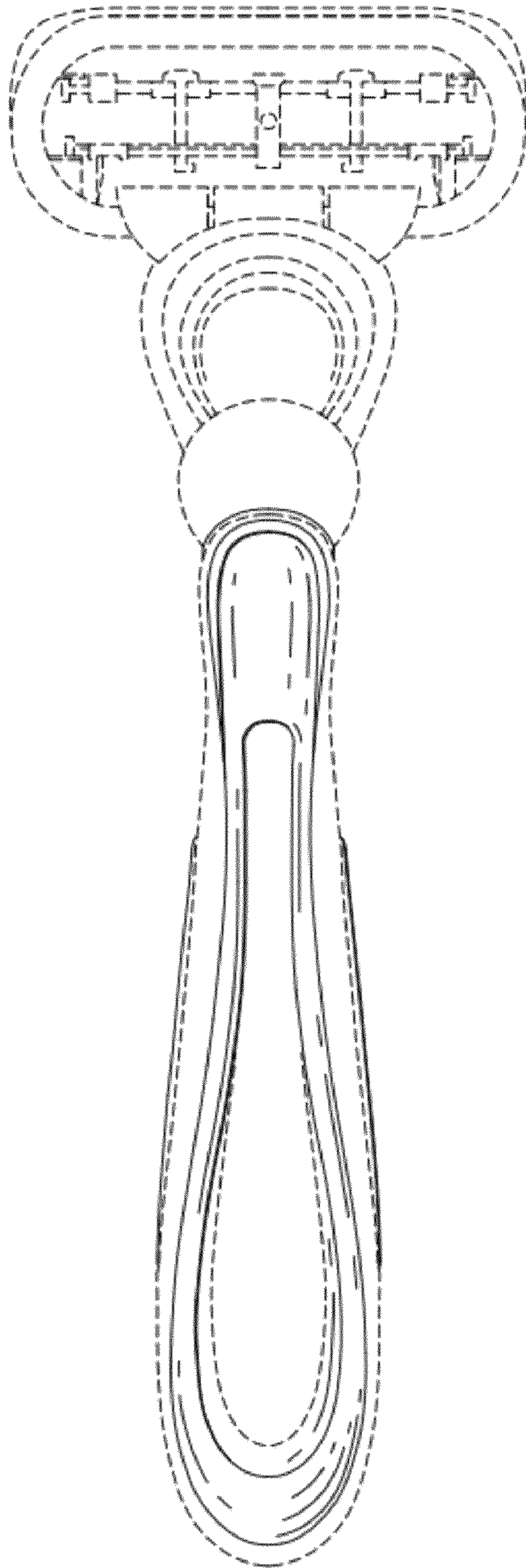


FIG. 2

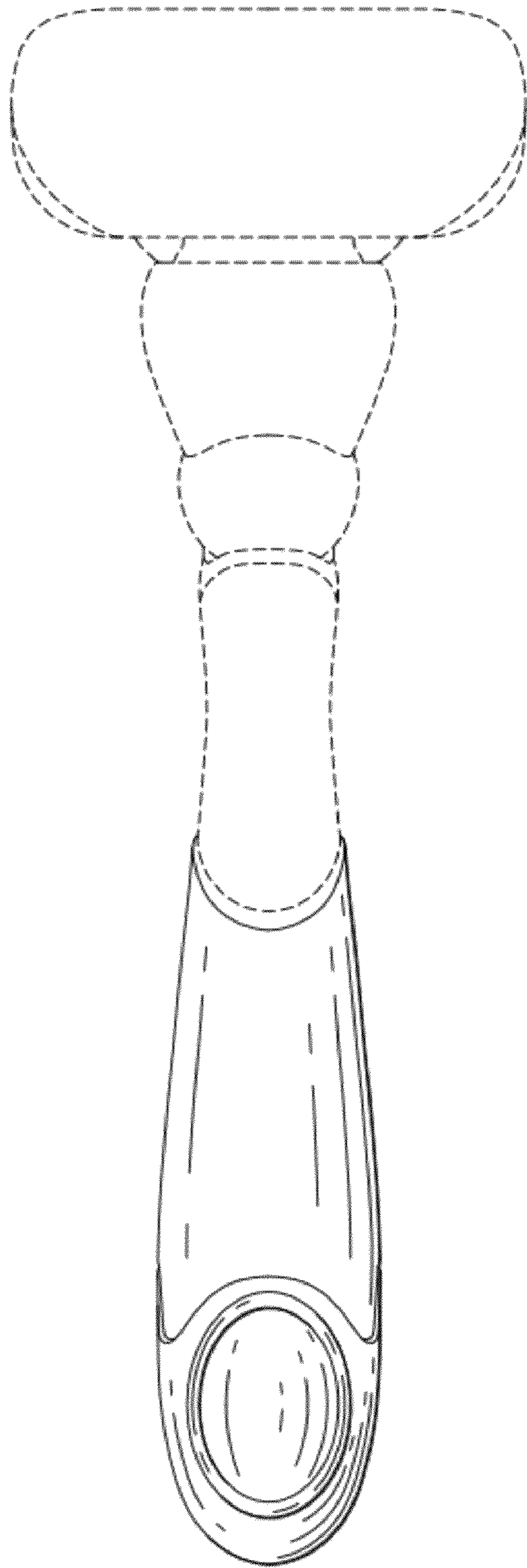


FIG. 3

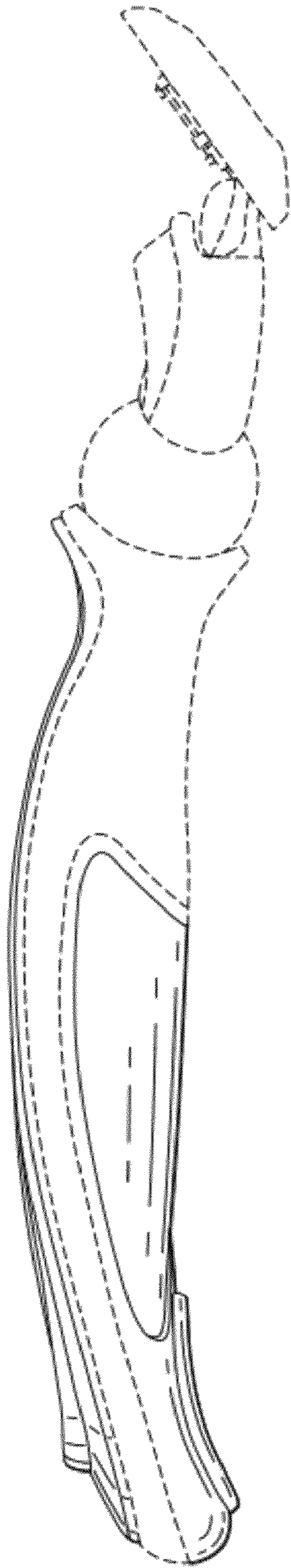


FIG. 4

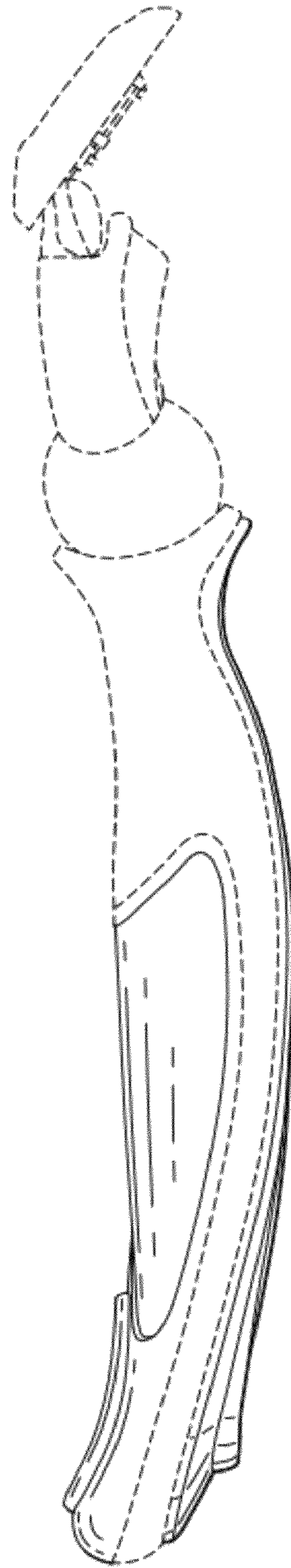


FIG. 5

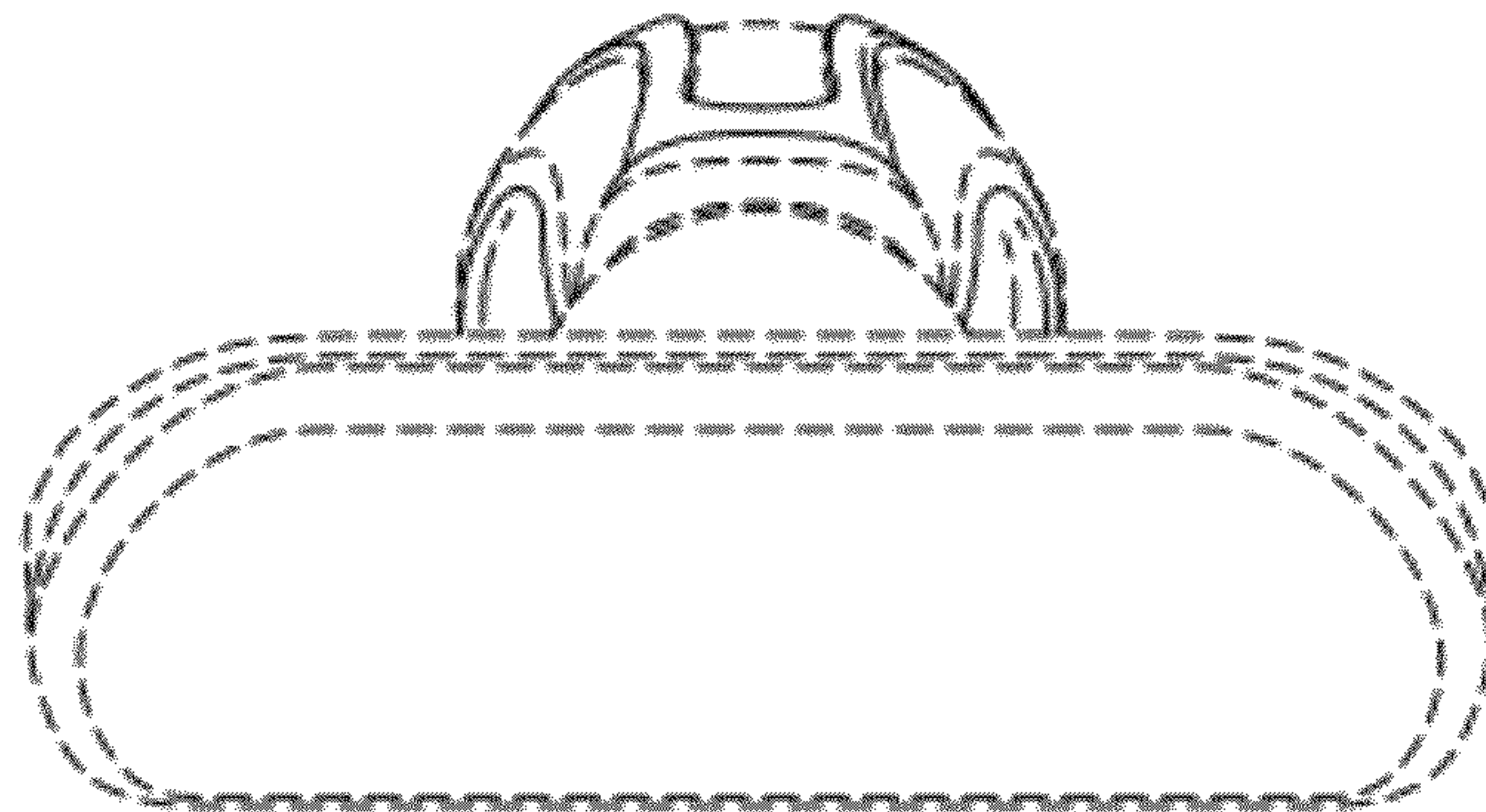


FIG. 6

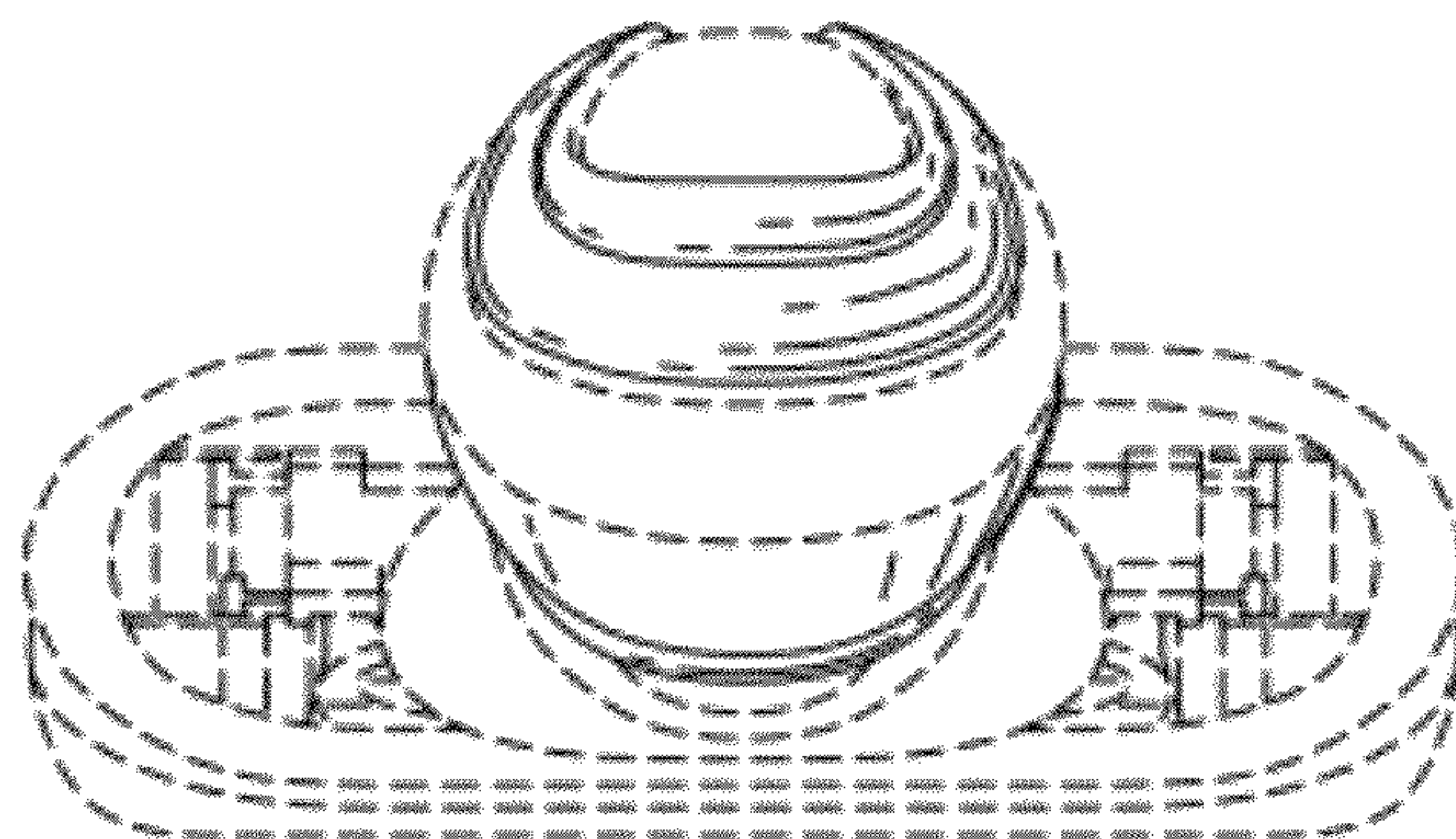


FIG. 7