

US00D662665S

(12) **United States Design Patent**
Christie

(10) **Patent No.:** **US D662,665 S**
(45) **Date of Patent:** **** Jun. 26, 2012**

(54) **RAZOR HANDLE**

(75) Inventor: **Vanessa Christie**, Boston, MA (US)

(73) Assignee: **The Gillette Company**, Boston, MA (US)

(**) Term: **14 Years**

(21) Appl. No.: **29/400,384**

(22) Filed: **Aug. 26, 2011**

(51) **LOC (9) Cl.** **28-03**

(52) **U.S. Cl.** **D28/48**

(58) **Field of Classification Search** D28/44-48;
30/32, 34.05, 34.1-34.2, 42-61, 77-84, 526-538,
30/346.5-346.61

See application file for complete search history.

(56) **References Cited**

U.S. PATENT DOCUMENTS

D558,923	S	*	1/2008	Watson et al.	D28/48
D560,033	S	*	1/2008	Rhoad et al.	D28/48
D614,353	S	*	4/2010	Christie et al.	D28/48
D614,354	S	*	4/2010	Christie et al.	D28/48
D615,707	S	*	5/2010	Lukan	D28/48
D617,950	S	*	6/2010	Christie et al.	D28/47
D635,718	S	*	4/2011	White et al.	D28/48

D636,533	S	*	4/2011	Andersen et al.	D28/48
D638,580	S	*	5/2011	Adams et al.	D28/46
D650,947	S	*	12/2011	Cataudella et al.	D28/48

* cited by examiner

Primary Examiner — Jennifer Rivard

(74) *Attorney, Agent, or Firm* — Ronald T. Sia; Kevin C. Johnson; Steven W. Miller

(57) **CLAIM**

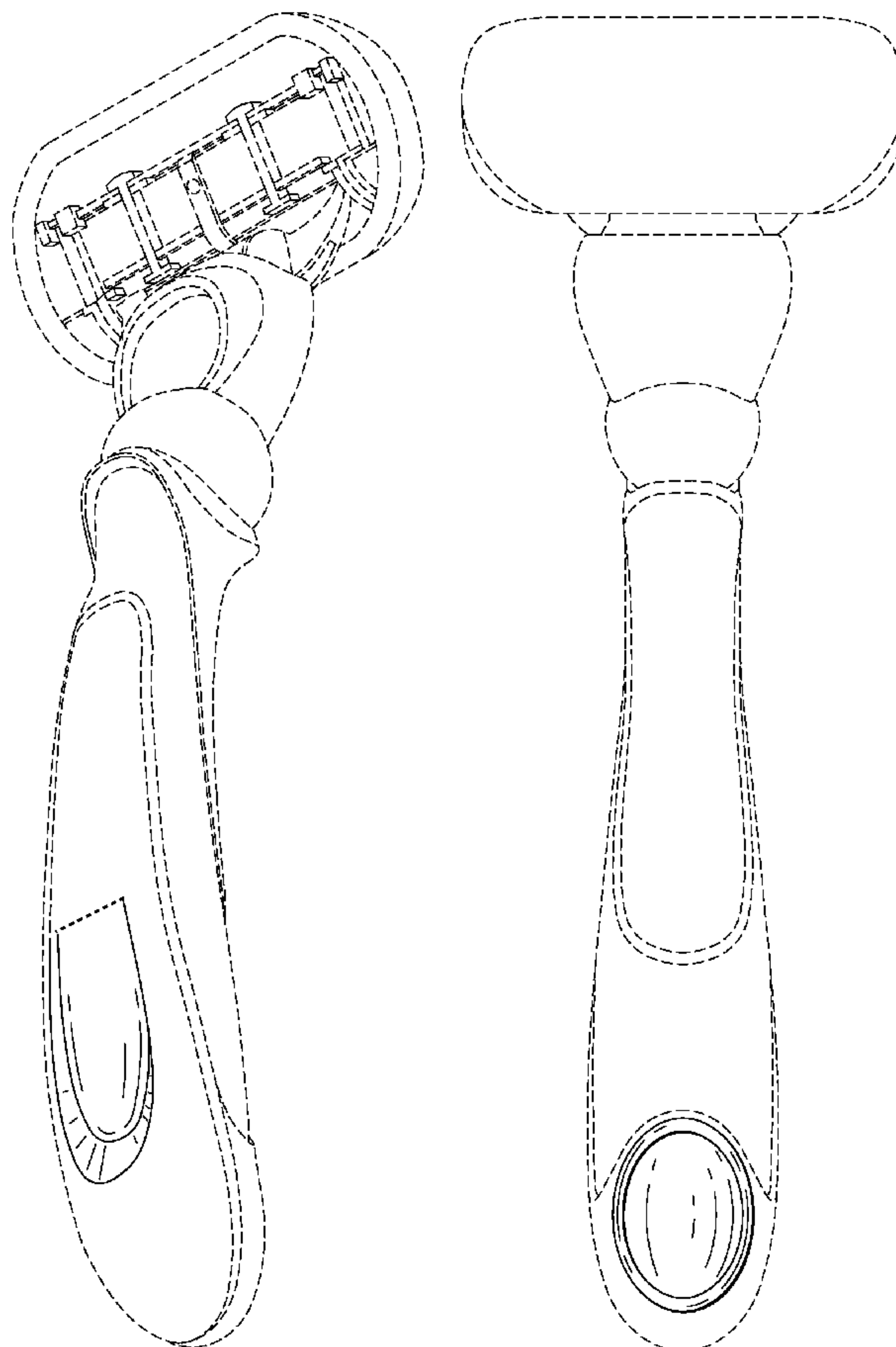
The ornamental design for a razor handle, as shown and described.

DESCRIPTION

FIG. 1 is a perspective view of a razor handle of the present invention;
FIG. 2 is a top view thereof;
FIG. 3 is a bottom view thereof;
FIG. 4 is a right side view thereof;
FIG. 5 is a left side view thereof;
FIG. 6 is a front view thereof; and,
FIG. 7 is a rear view thereof.

The broken lines that connect the solid claimed lines in FIGS. 1 and 2 define the bounds of the claim for the top surface of the razor handle. All other broken lines represent the environment of the claimed design. None of the broken lines forms a part of the claimed design.

1 Claim, 5 Drawing Sheets



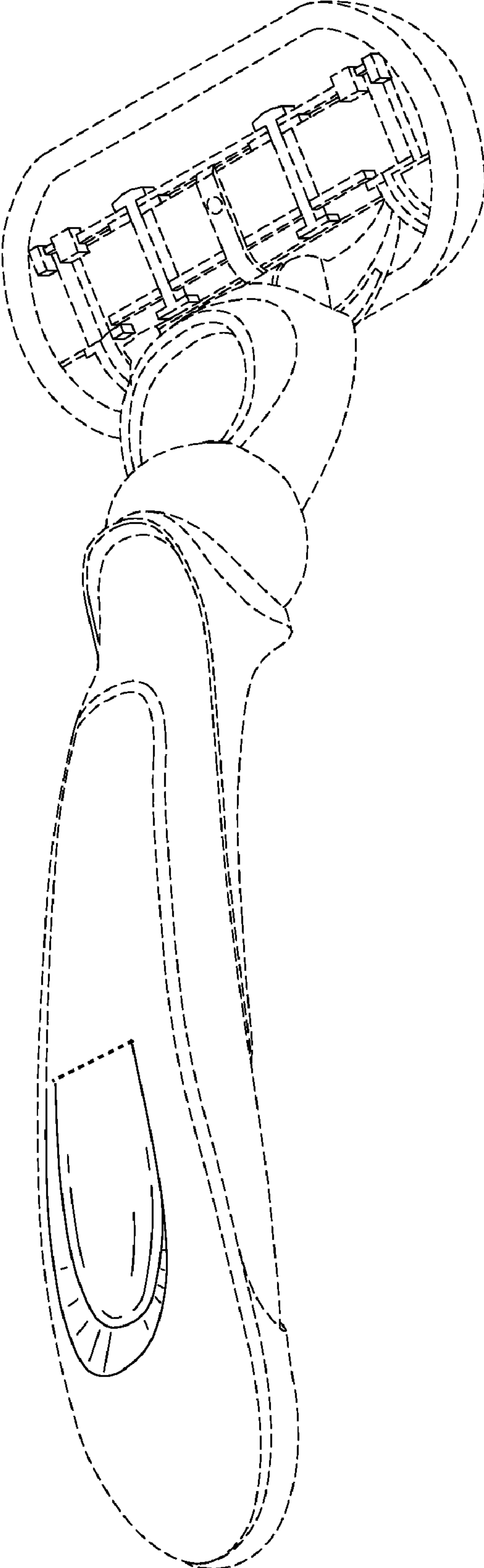


FIG. 1

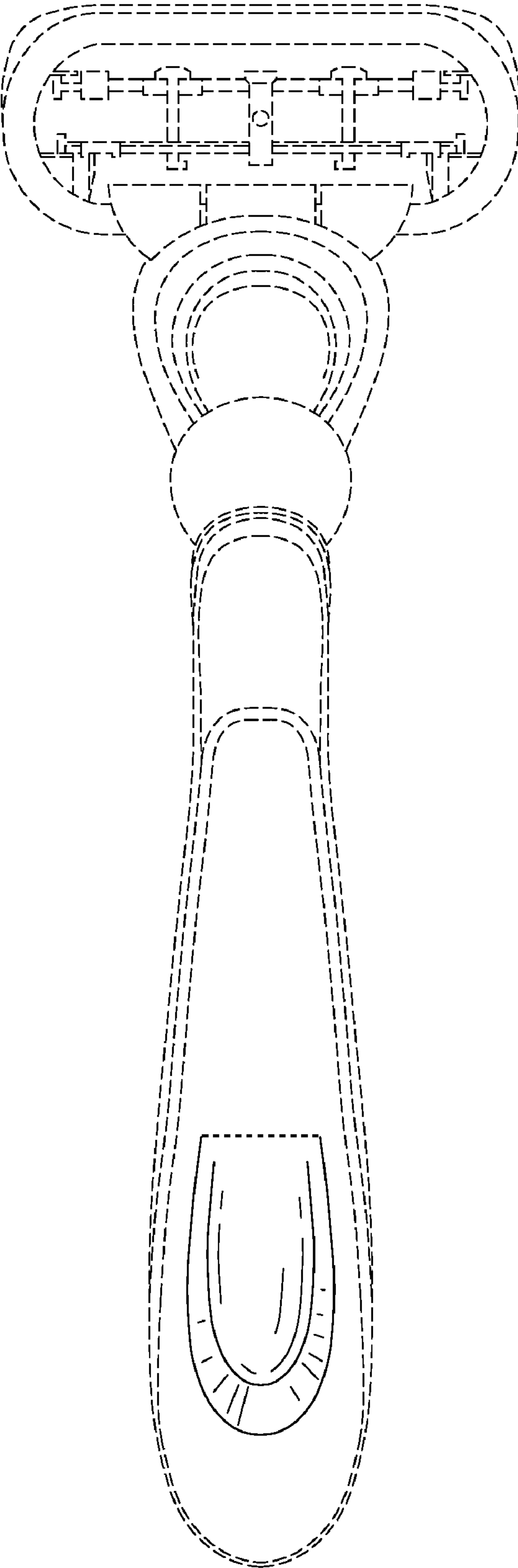


FIG. 2

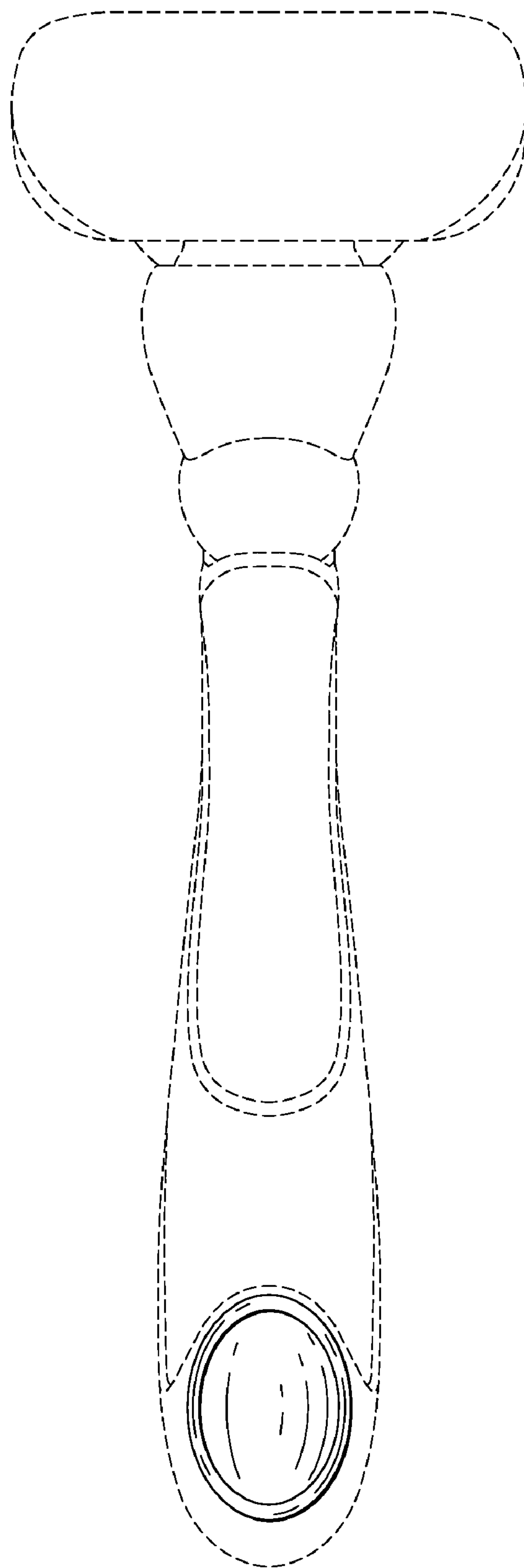


FIG. 3

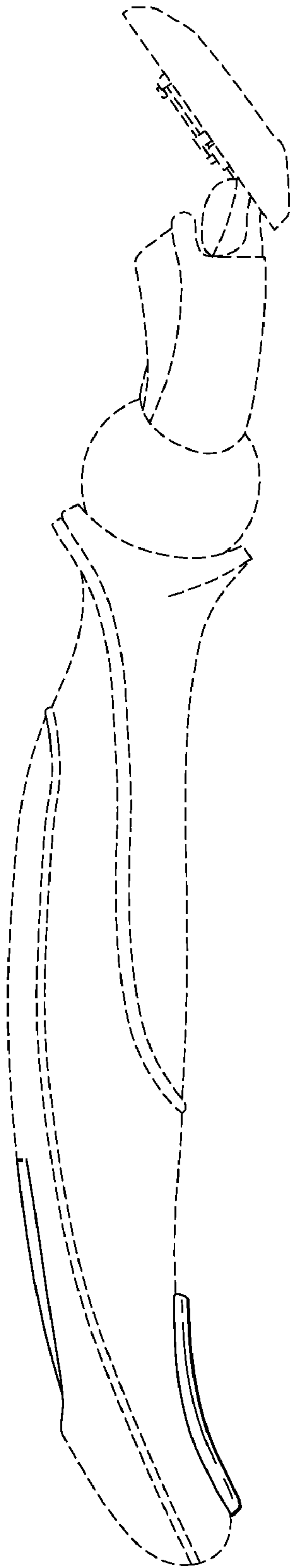


FIG. 4

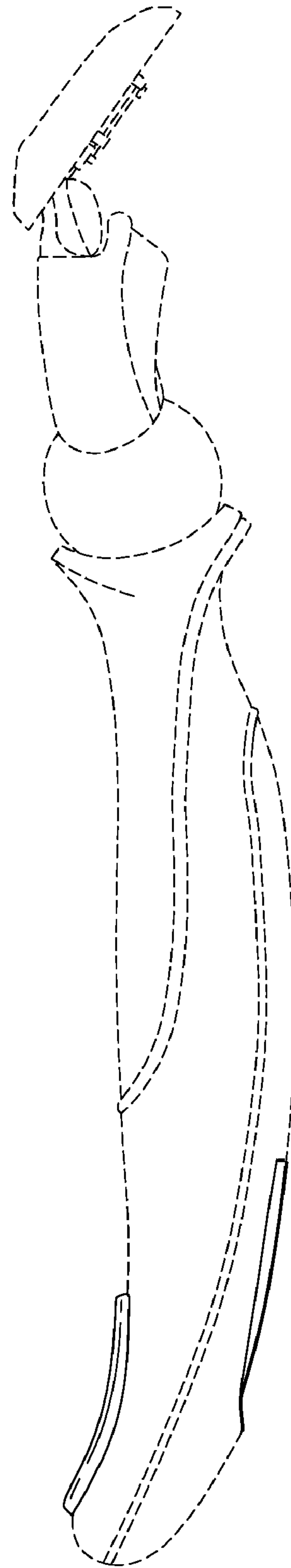


FIG. 5

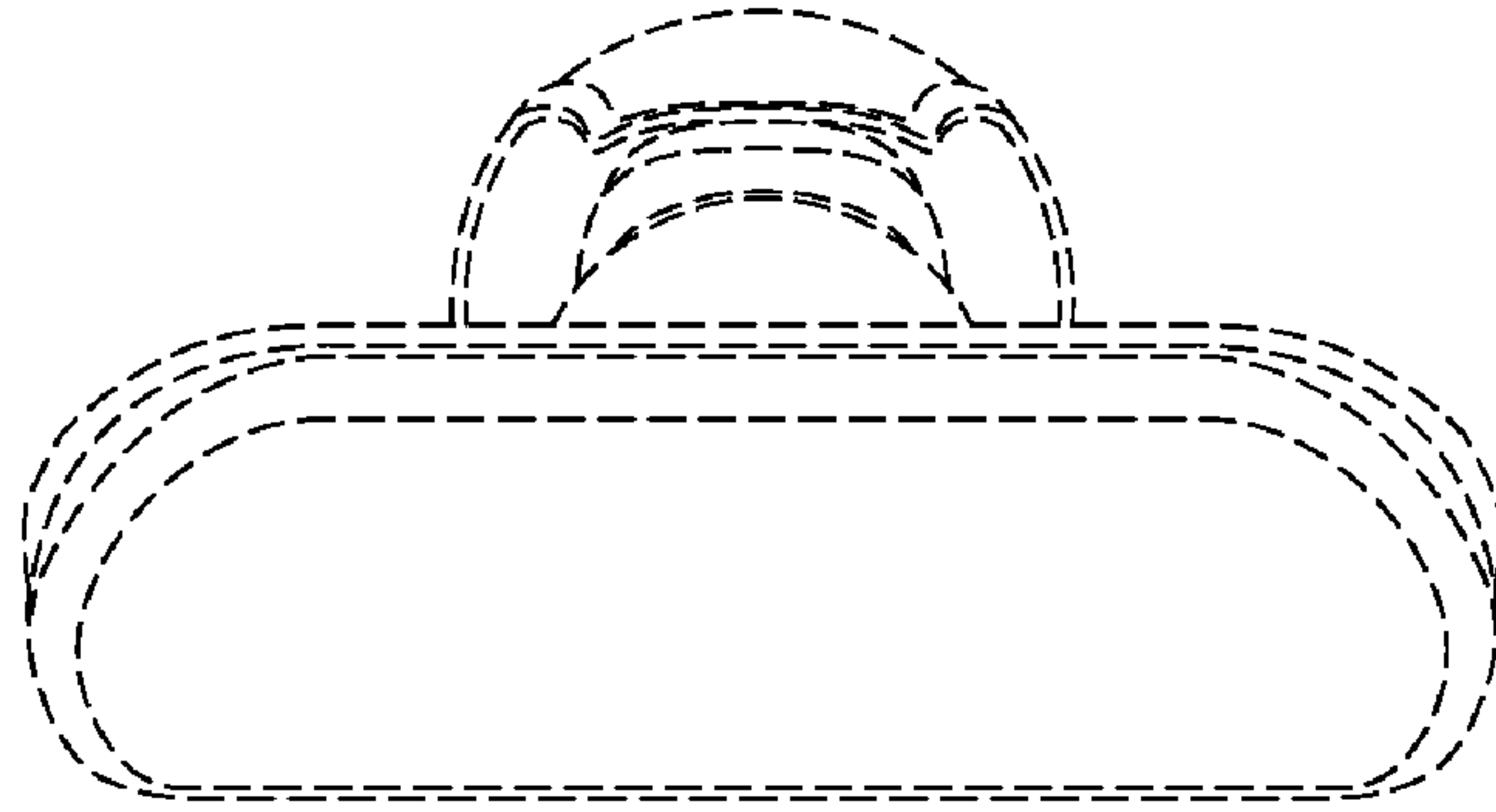


FIG. 6

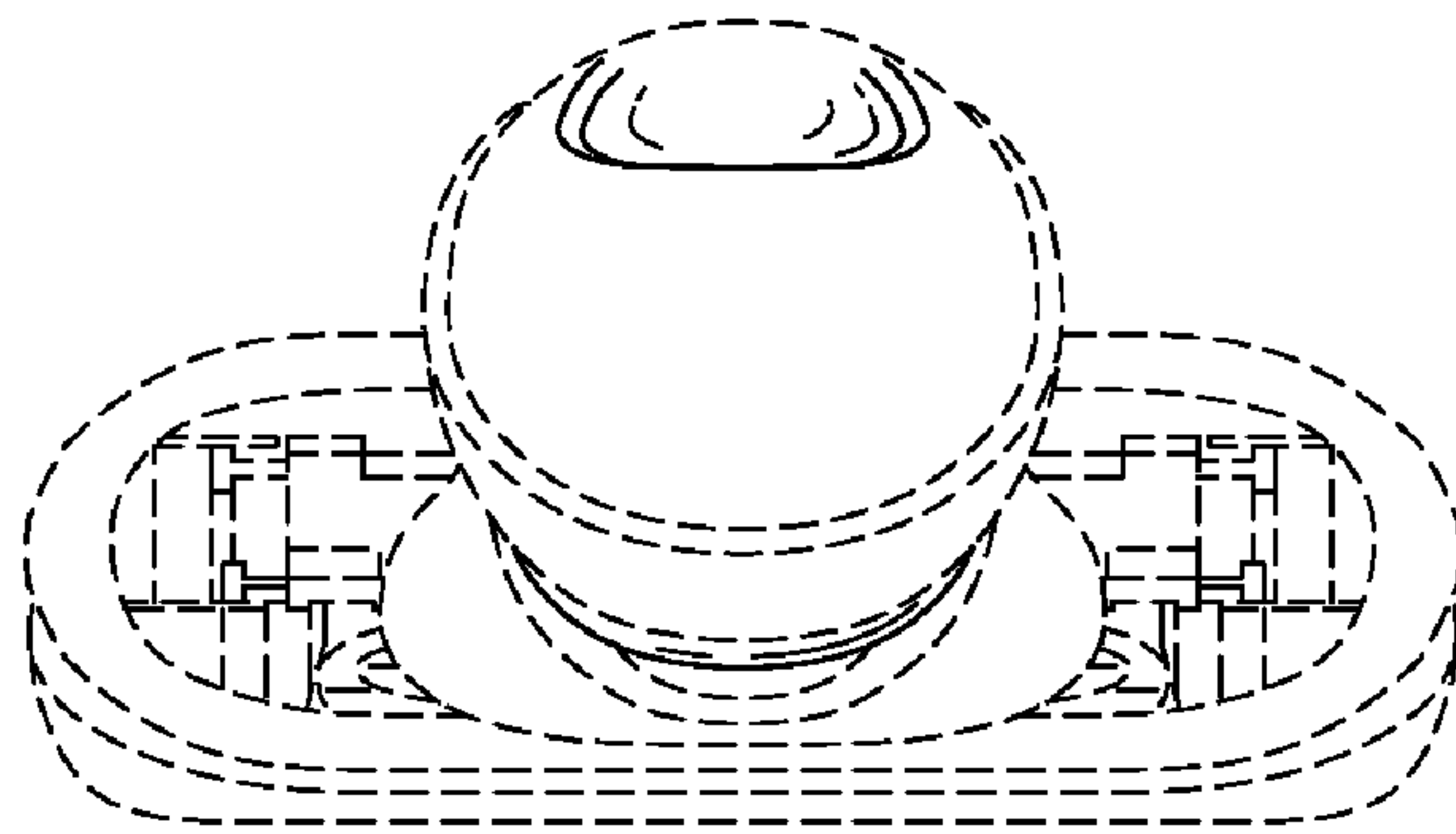


FIG. 7