



US00D662664S

(12) **United States Design Patent**
Hasegawa

(10) **Patent No.:** **US D662,664 S**
(45) **Date of Patent:** **** Jun. 26, 2012**

(54) **SAFETY RAZOR**

(75) Inventor: **Katsumi Hasegawa**, Seki (JP)

(73) Assignee: **Kai R&D Center Co., Ltd.**, Seki-shi,
Gifu-ken (JP)

(**) Term: **14 Years**

(21) Appl. No.: **29/395,192**

(22) Filed: **Dec. 15, 2011**

(30) **Foreign Application Priority Data**

Jul. 27, 2011 (JP) 2011-017186

(51) **LOC (9) Cl.** **28-03**

(52) **U.S. Cl.** **D28/48**

(58) **Field of Classification Search** D28/44-48;
30/32, 34.05, 34.1-34.2, 42-61, 77-84, 526-538,
30/346.5-346.61

See application file for complete search history.

(56) **References Cited**

U.S. PATENT DOCUMENTS

D444,267 S * 6/2001 Gray D28/48
D547,904 S * 7/2007 Wonderley et al. D28/48
D598,606 S 8/2009 Watson
D602,635 S 10/2009 Watson
D619,764 S * 7/2010 Rhoad D28/48

D627,929 S * 11/2010 Haba D28/46
D634,894 S * 3/2011 Cataudella D28/48
D650,528 S * 12/2011 Andersen et al. D28/48
D650,946 S * 12/2011 Andersen et al. D28/47

* cited by examiner

Primary Examiner — Jennifer Rivard

(74) *Attorney, Agent, or Firm* — Faegre Baker Daniels LLP

(57) **CLAIM**

The ornamental design for a safety razor, as shown and described.

DESCRIPTION

FIG. 1 is a front, top and right side perspective view of a safety razor showing my new design;

FIG. 2 is a rear, bottom and left side perspective view thereof;

FIG. 3 is a front view thereof, the rear view being a mirror image of FIG. 3;

FIG. 4 is a top plan view thereof;

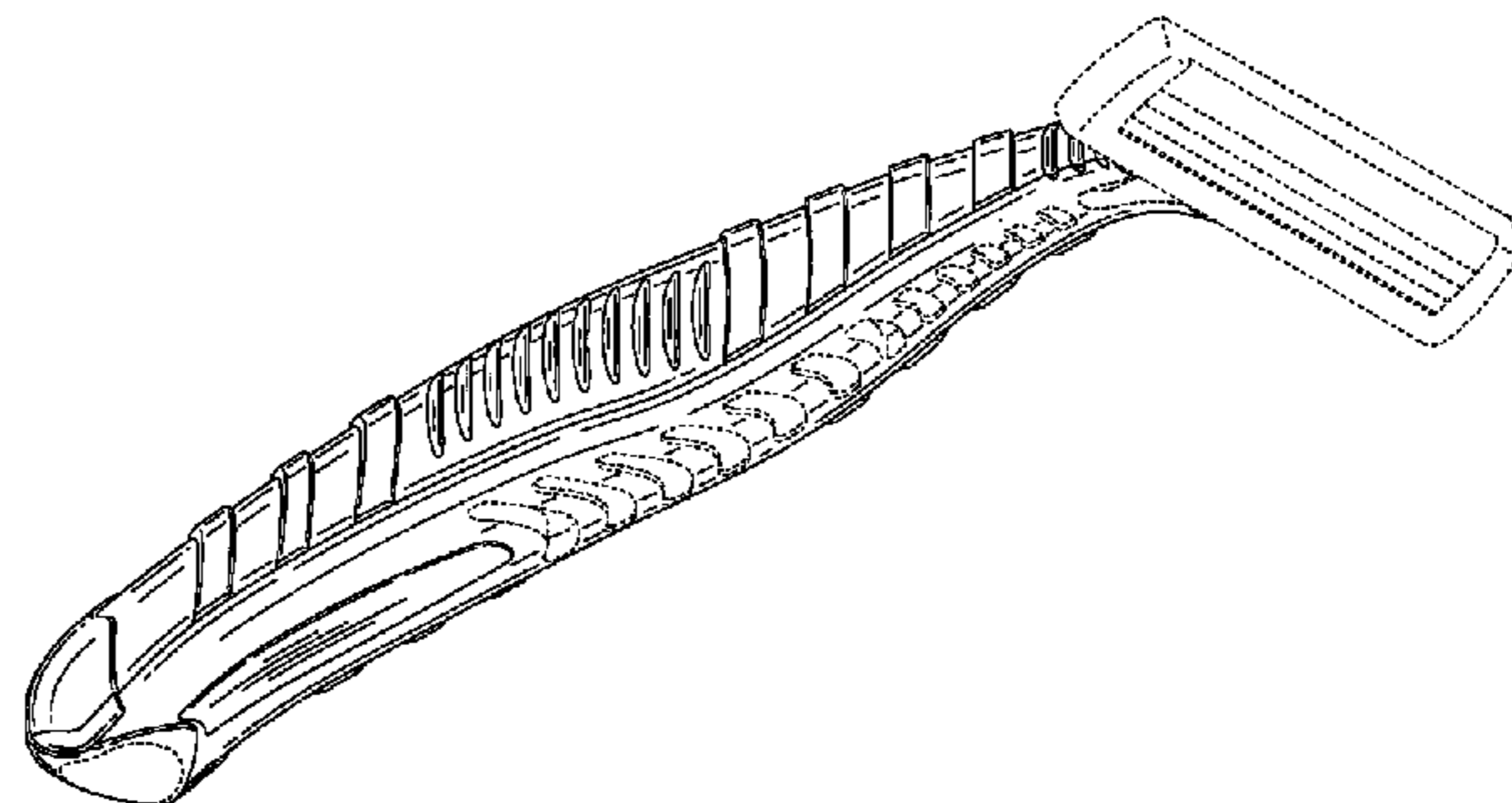
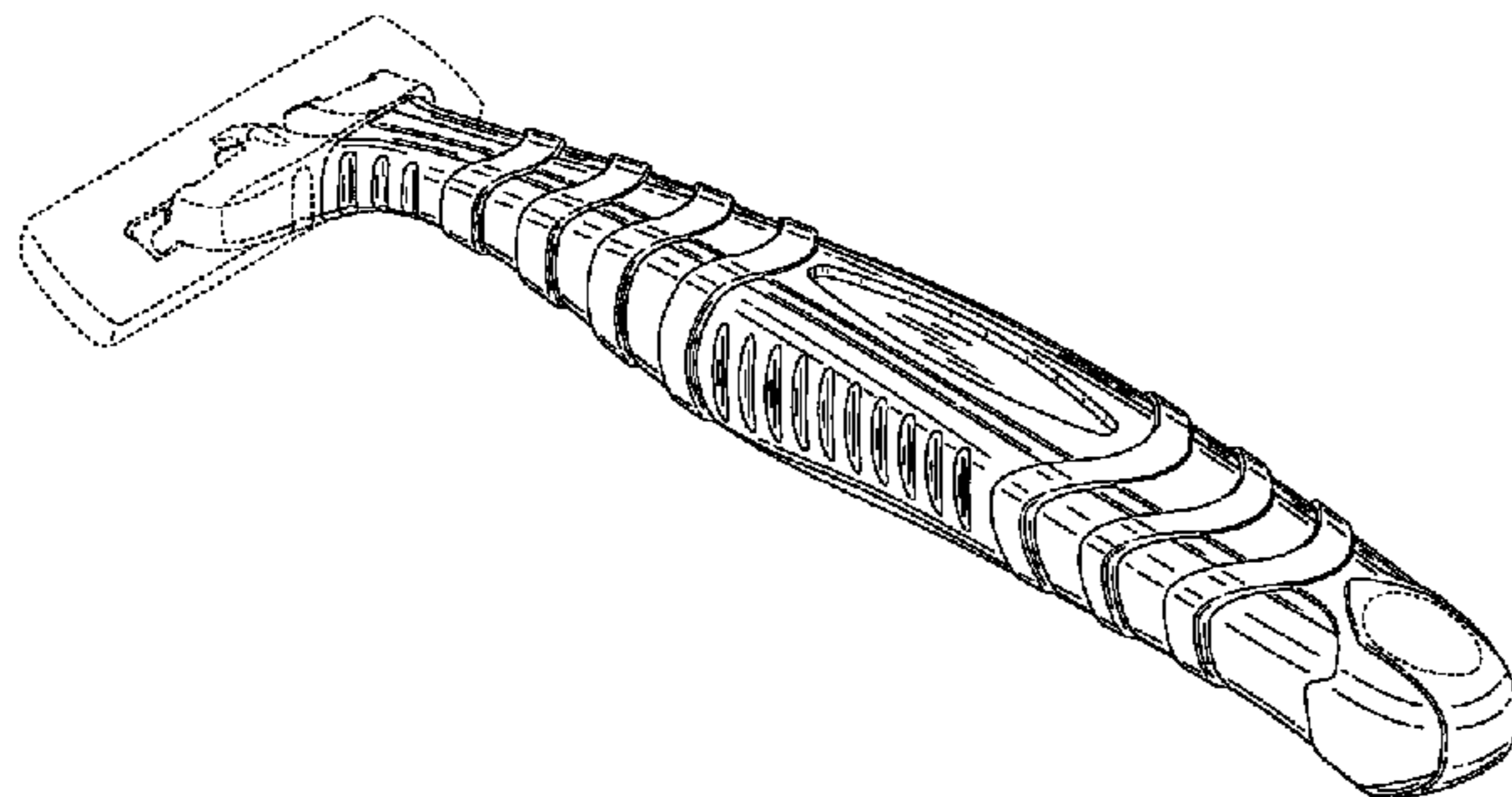
FIG. 5 is a bottom plan view thereof;

FIG. 6 is an enlarged right side view thereof; and,

FIG. 7 is an enlarged left side view thereof.

The features shown in broken lines in the drawings depict environmental subject matter only and form no part of the claimed design. The dash-dotted lines in the drawings denote the boundary of the claim and form no part of the claimed design.

1 Claim, 7 Drawing Sheets



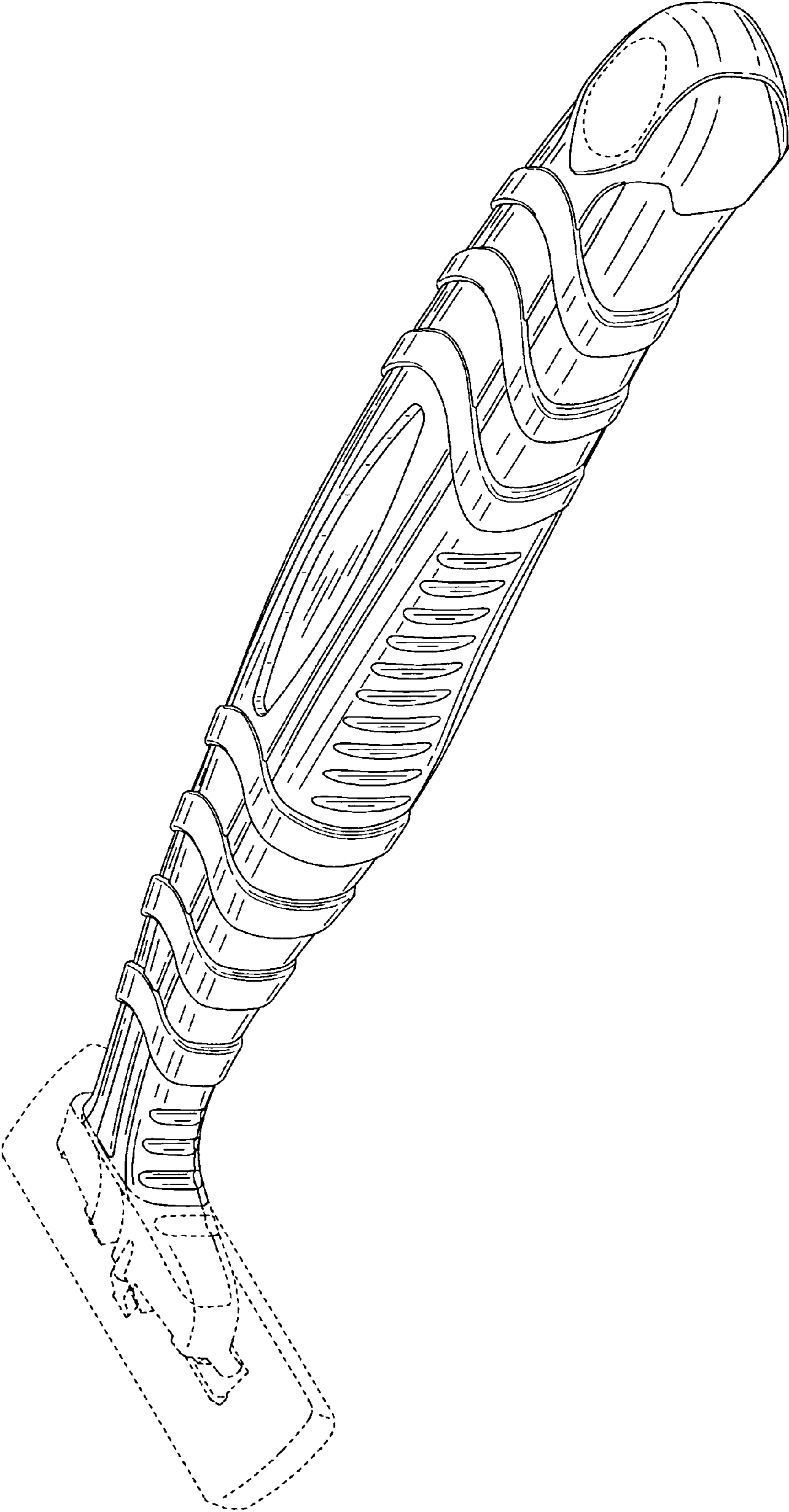


Fig. 1

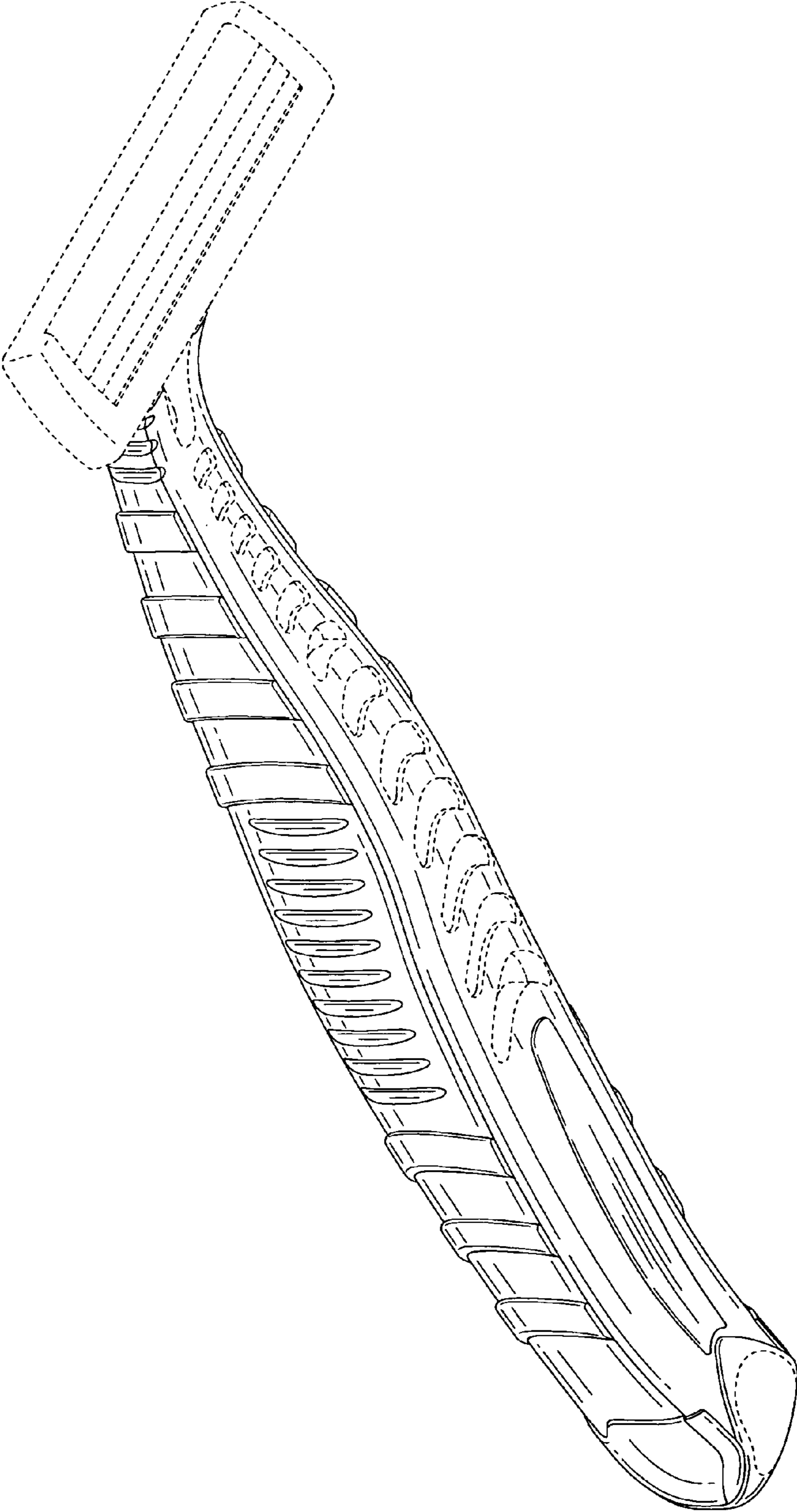


Fig. 2

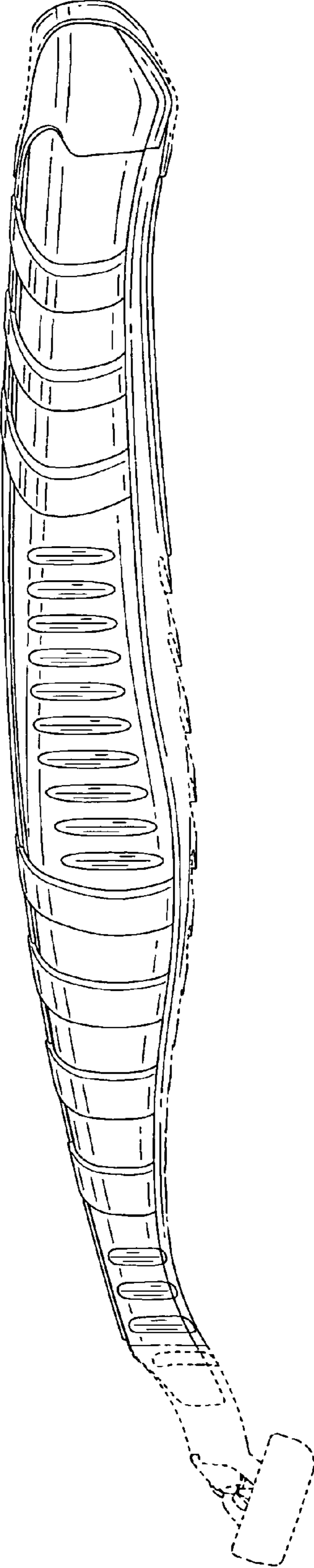


Fig. 3

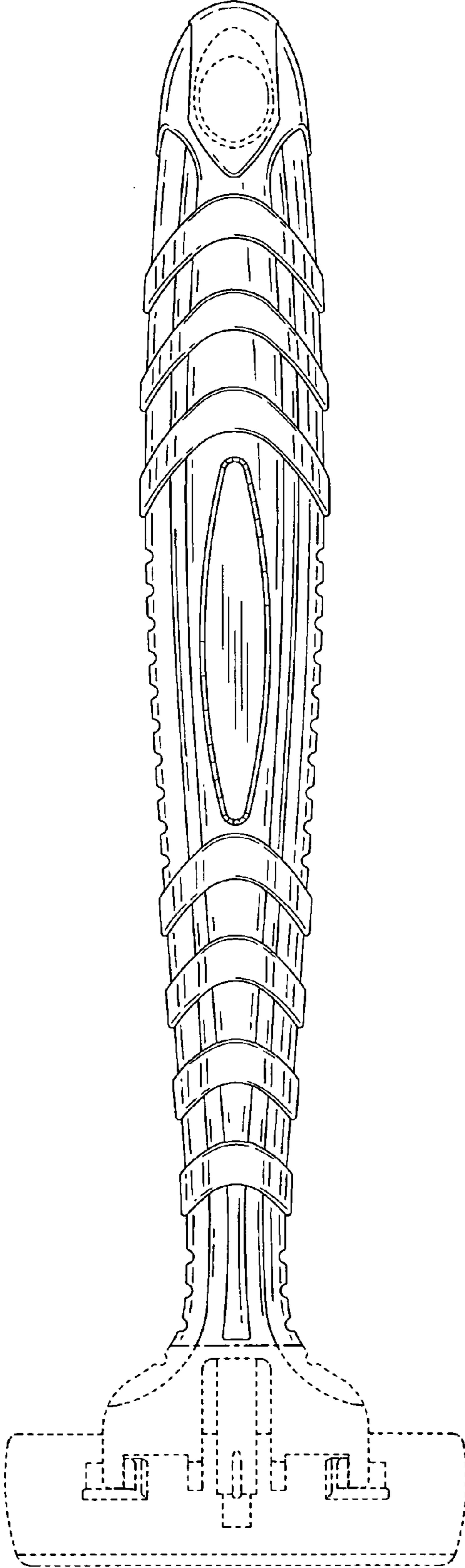


Fig. 4

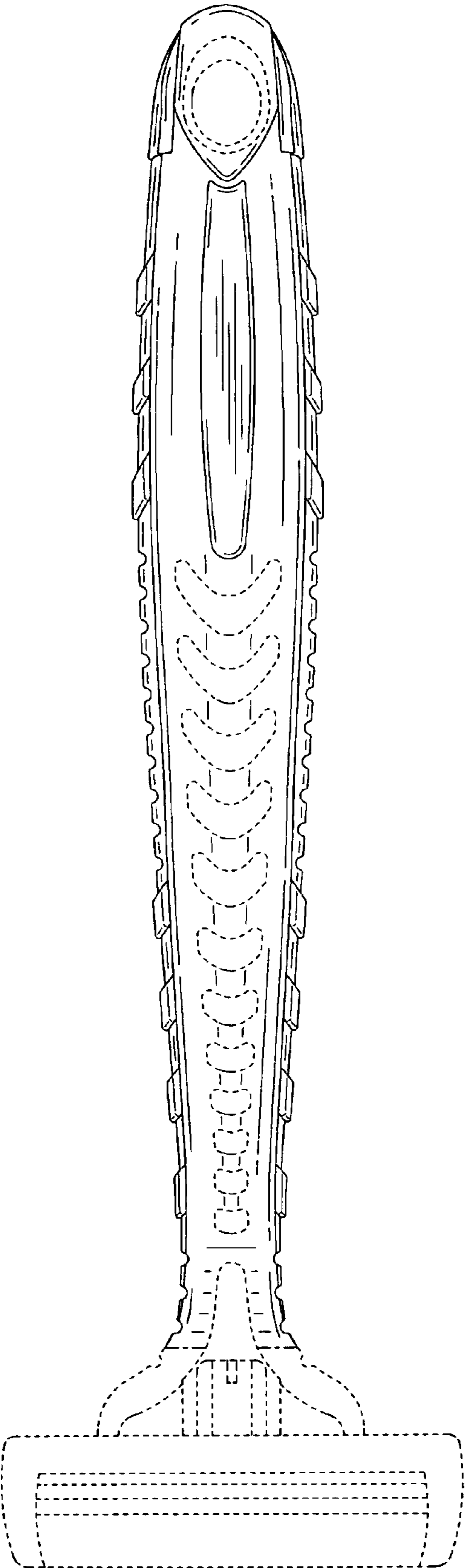


Fig. 5

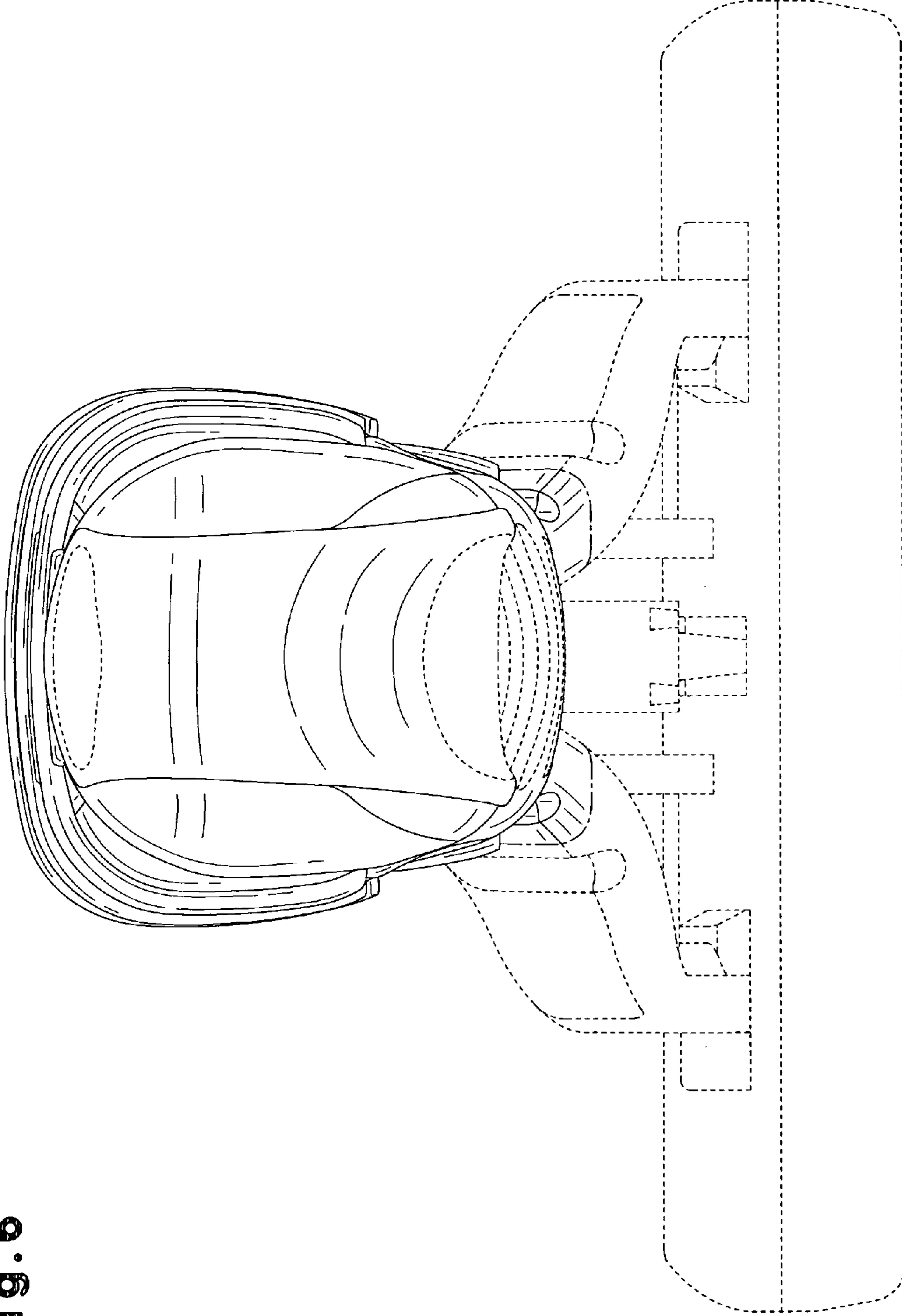


Fig. 6

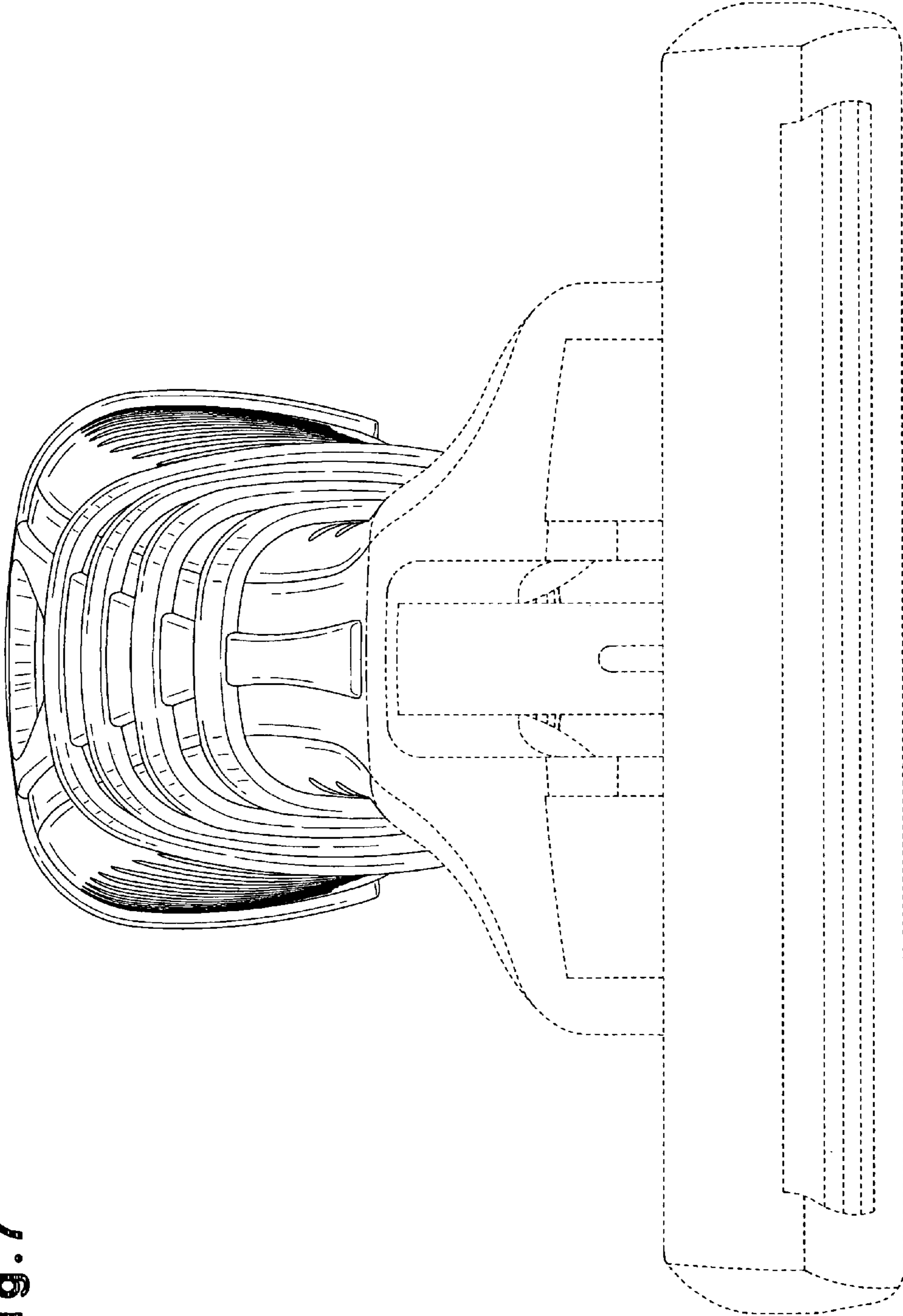


Fig. 7