



US00D662663S

(12) **United States Design Patent**
Haba

(10) **Patent No.:** **US D662,663 S**
(45) **Date of Patent:** **** Jun. 26, 2012**

(54) **SAFETY RAZOR**

(75) Inventor: **Daisuke Haba, Seki (JP)**

(73) Assignee: **Kai R&D Center Co., Ltd., Seki-shi, Gifu-ken (JP)**

(**) Term: **14 Years**

(21) Appl. No.: **29/395,027**

(22) Filed: **Nov. 10, 2011**

(30) **Foreign Application Priority Data**

May 13, 2011 (JP) 2011-010794

(51) **LOC (9) Cl.** **28-03**

(52) **U.S. Cl.** **D28/48**

(58) **Field of Classification Search** D28/44-48;
30/32, 34.05, 34.1-34.2, 42-61, 77-84, 526-538,
30/346.5-346.61

See application file for complete search history.

(56) **References Cited**

U.S. PATENT DOCUMENTS

D408,101 S	4/1999	Shurtleff	
D506,035 S	6/2005	Dombrowski et al.	
D536,829 S	2/2007	Dombrowski et al.	
D587,846 S *	3/2009	Wonderley et al.	D28/48
D599,955 S *	9/2009	Provost	D28/46
D603,560 S	11/2009	Micinilio	
D607,150 S *	12/2009	Furuta	D28/48
D615,705 S	5/2010	Ramm	
D618,851 S	6/2010	Christie et al.	
D618,852 S	6/2010	Christie et al.	

D619,302 S	7/2010	Ramm	
D621,095 S *	8/2010	Cataudella	D28/48
D624,700 S *	9/2010	Jung	D28/46
D627,929 S *	11/2010	Haba	D28/46
D634,894 S *	3/2011	Cataudella	D28/48
D635,716 S *	4/2011	Rhoad	D28/46
D650,528 S *	12/2011	Andersen et al.	D28/48

* cited by examiner

Primary Examiner — Jennifer Rivard

(74) *Attorney, Agent, or Firm* — Faegre Baker Daniels LLP

(57) **CLAIM**

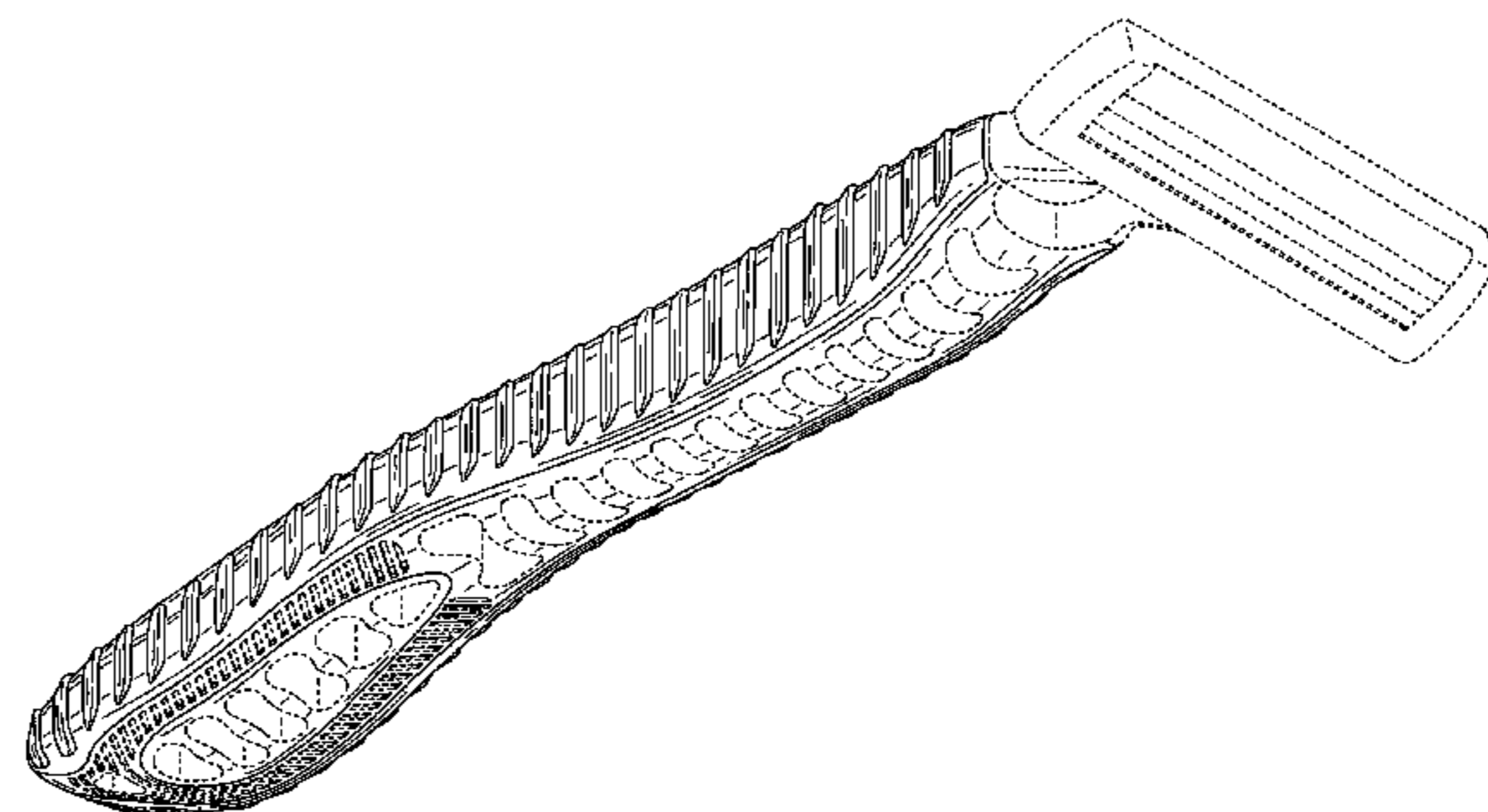
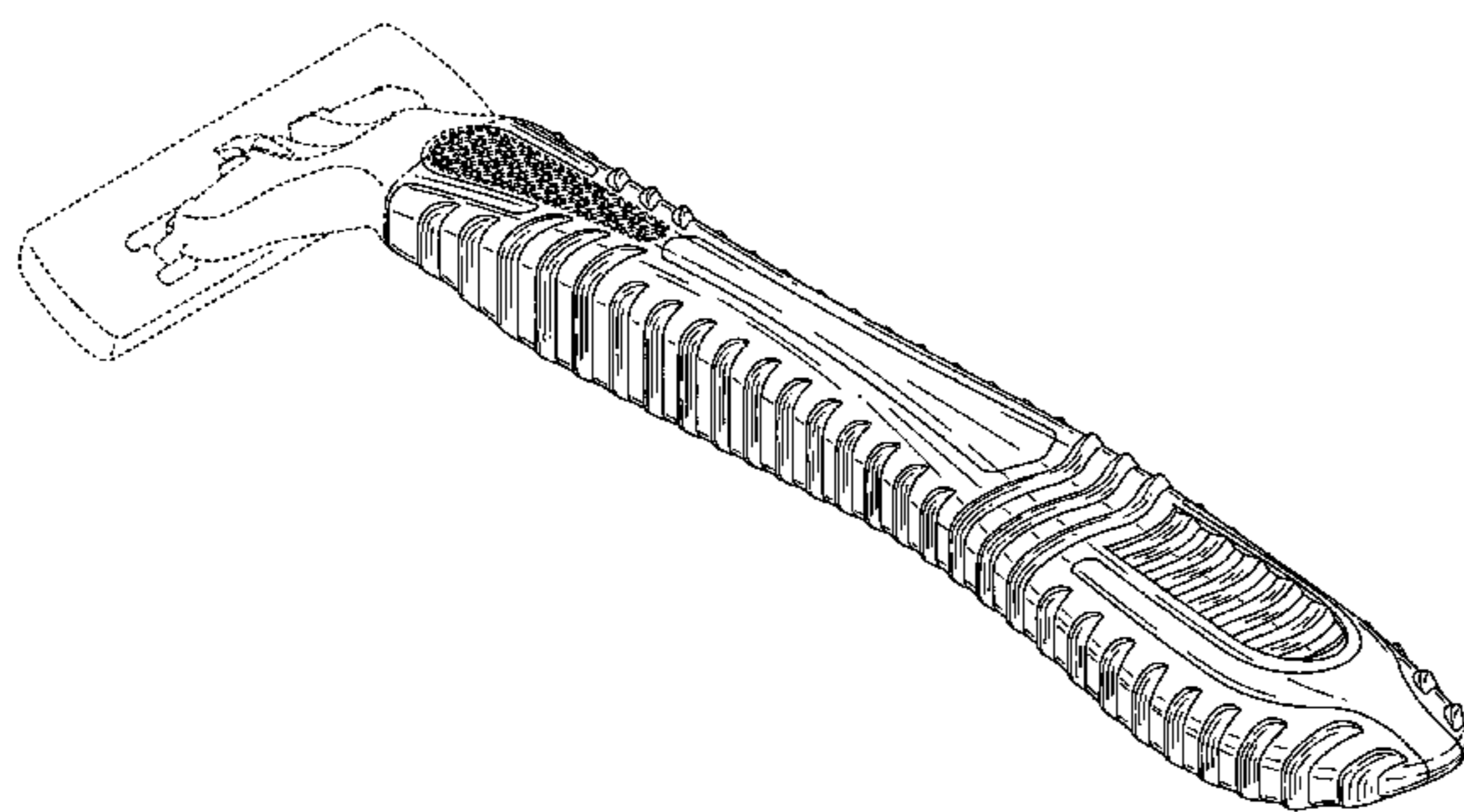
The ornamental design for a safety razor, as shown and described.

DESCRIPTION

FIG. 1 is a front, top and right side perspective view of a safety razor showing my new design;
FIG. 2 is a rear, bottom and left side perspective view thereof;
FIG. 3 is a front view thereof, the rear view being a mirror image of FIG. 3;
FIG. 4 is a top plan view thereof;
FIG. 5 is a bottom plan view thereof;
FIG. 6 is an enlarged right side view thereof; and,
FIG. 7 is an enlarged left side view thereof.

The features shown in broken lines in the drawings depict environmental subject matter only and form no part of the claimed design. The dash-dotted lines in the drawings denote the boundary of the claim and form no part of the claimed design.

1 Claim, 7 Drawing Sheets



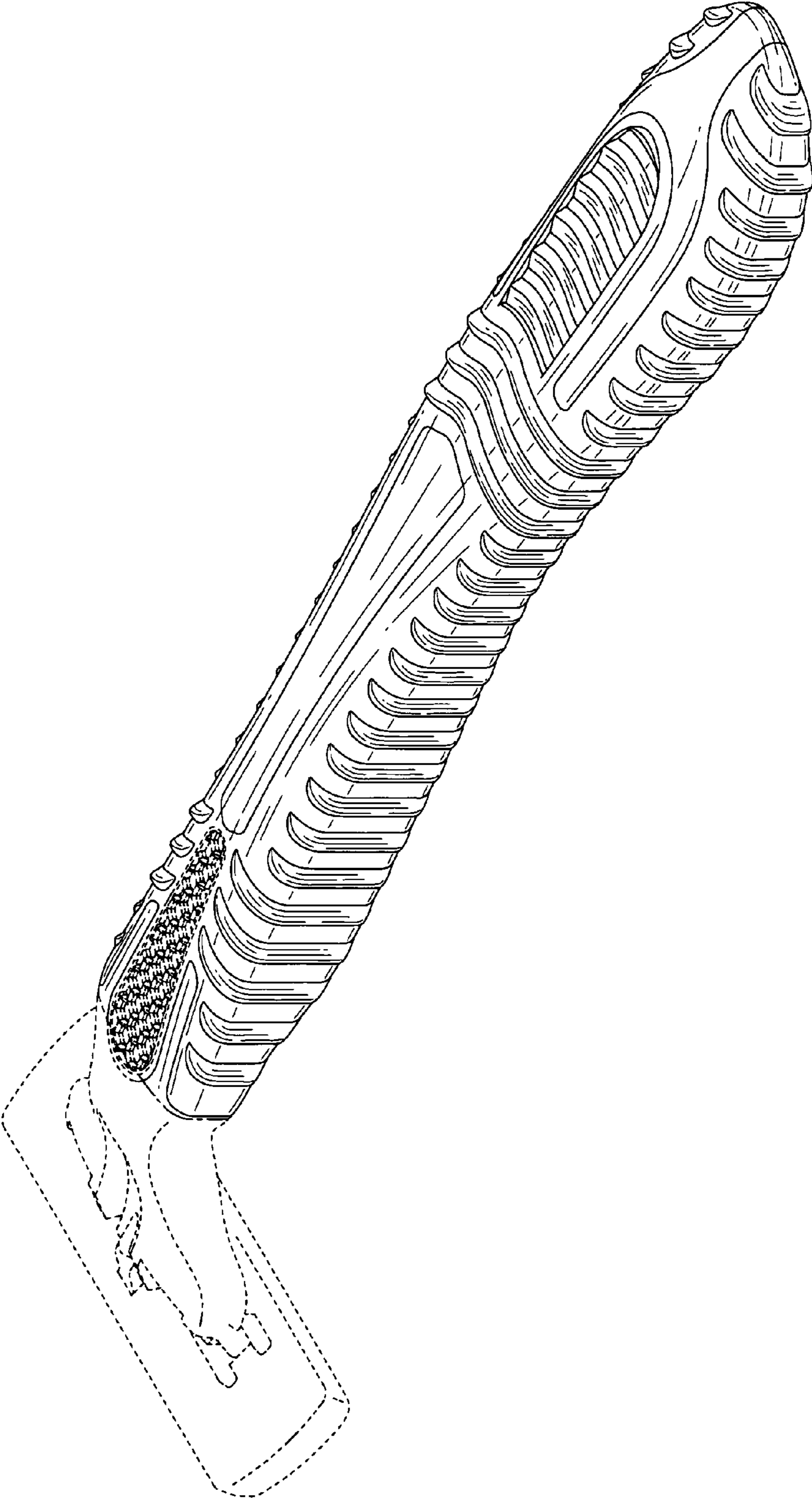


Fig. 1

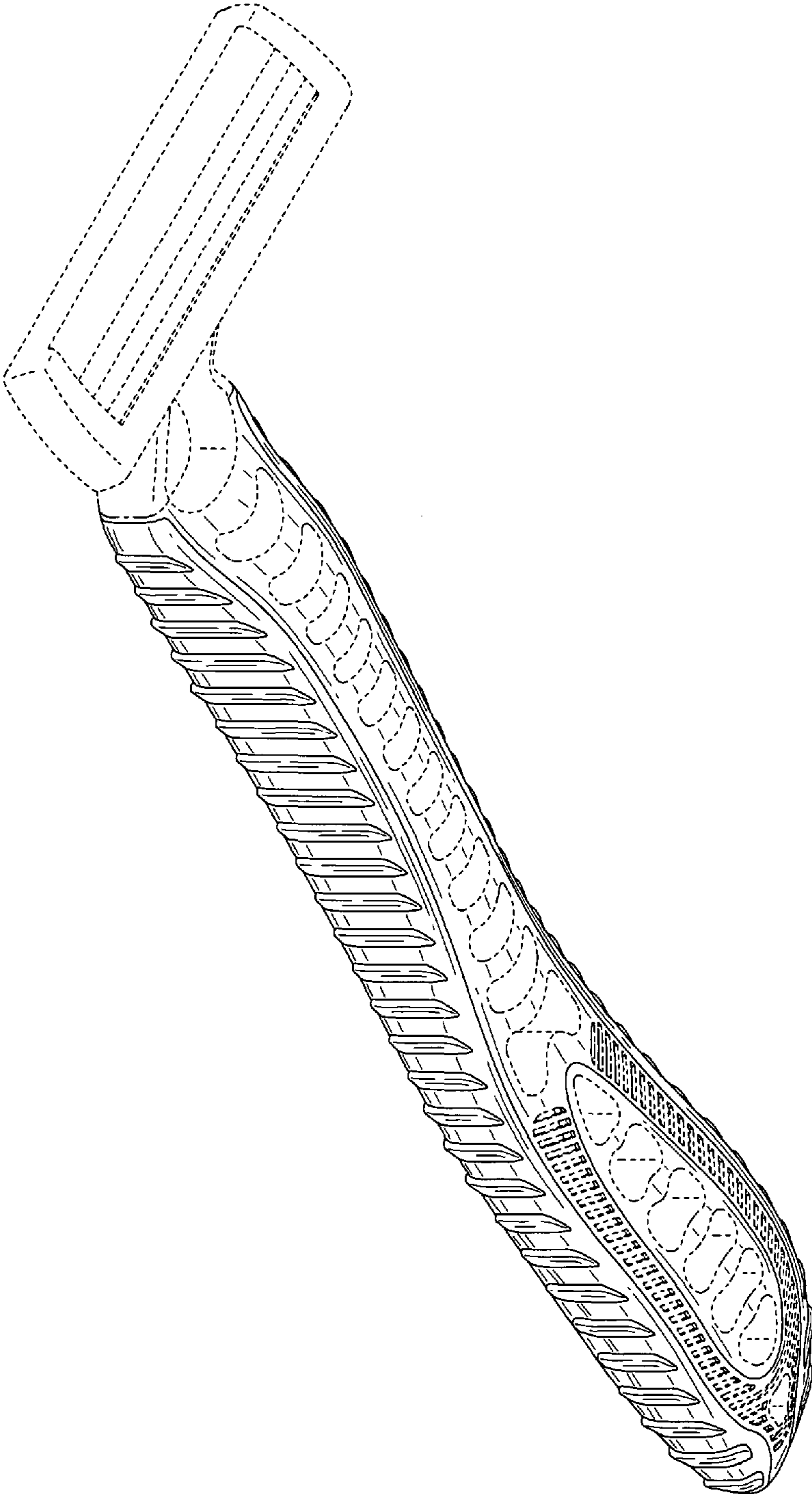


Fig. 2

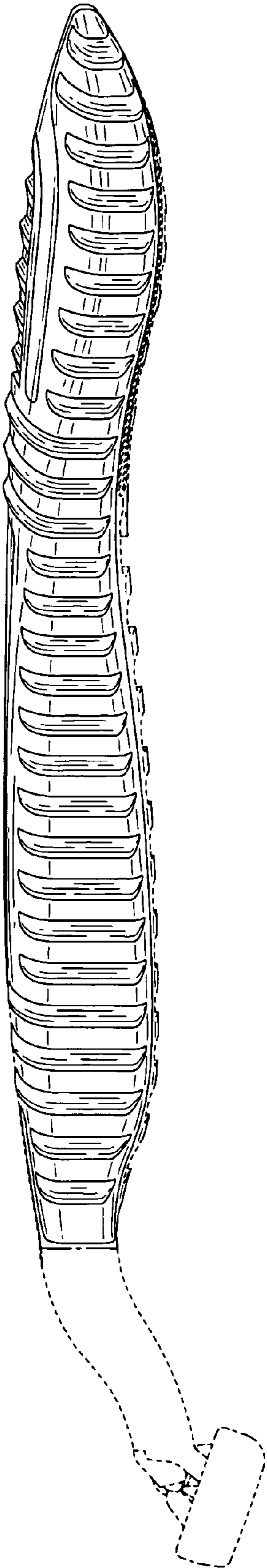


Fig. 3

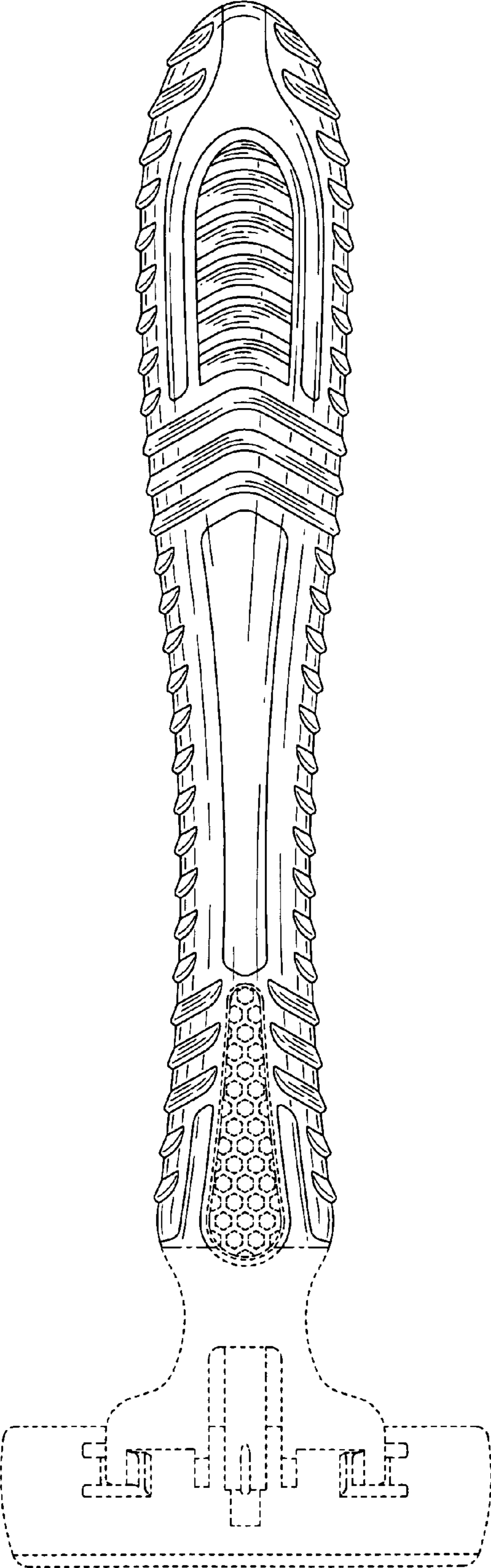


Fig. 4

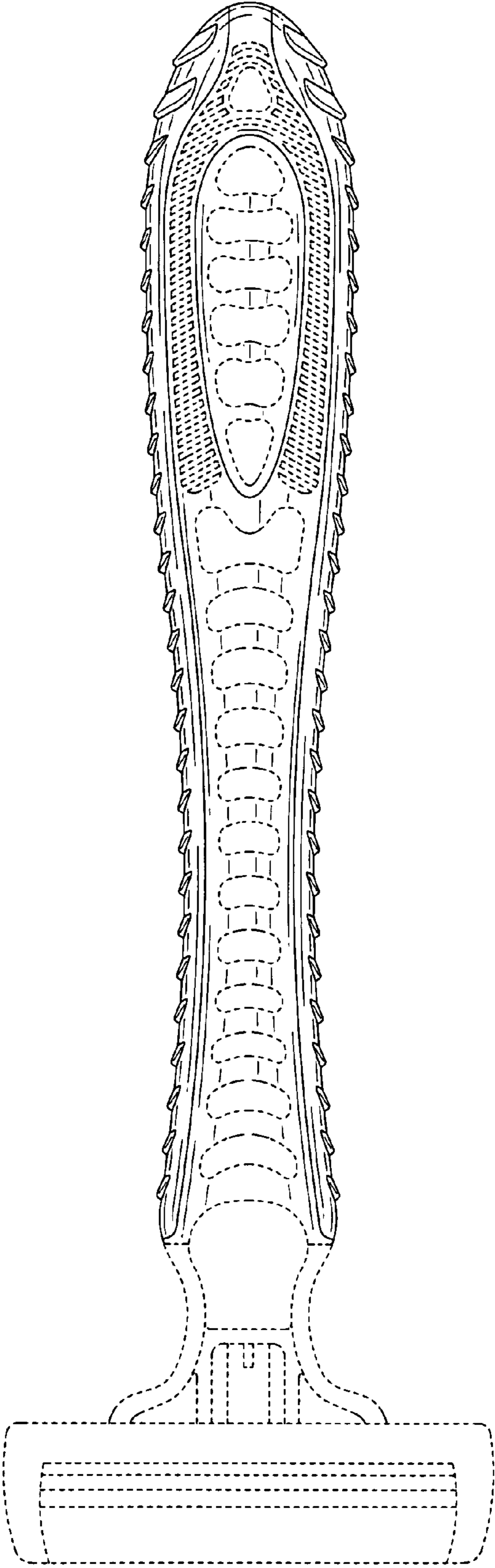


Fig. 5

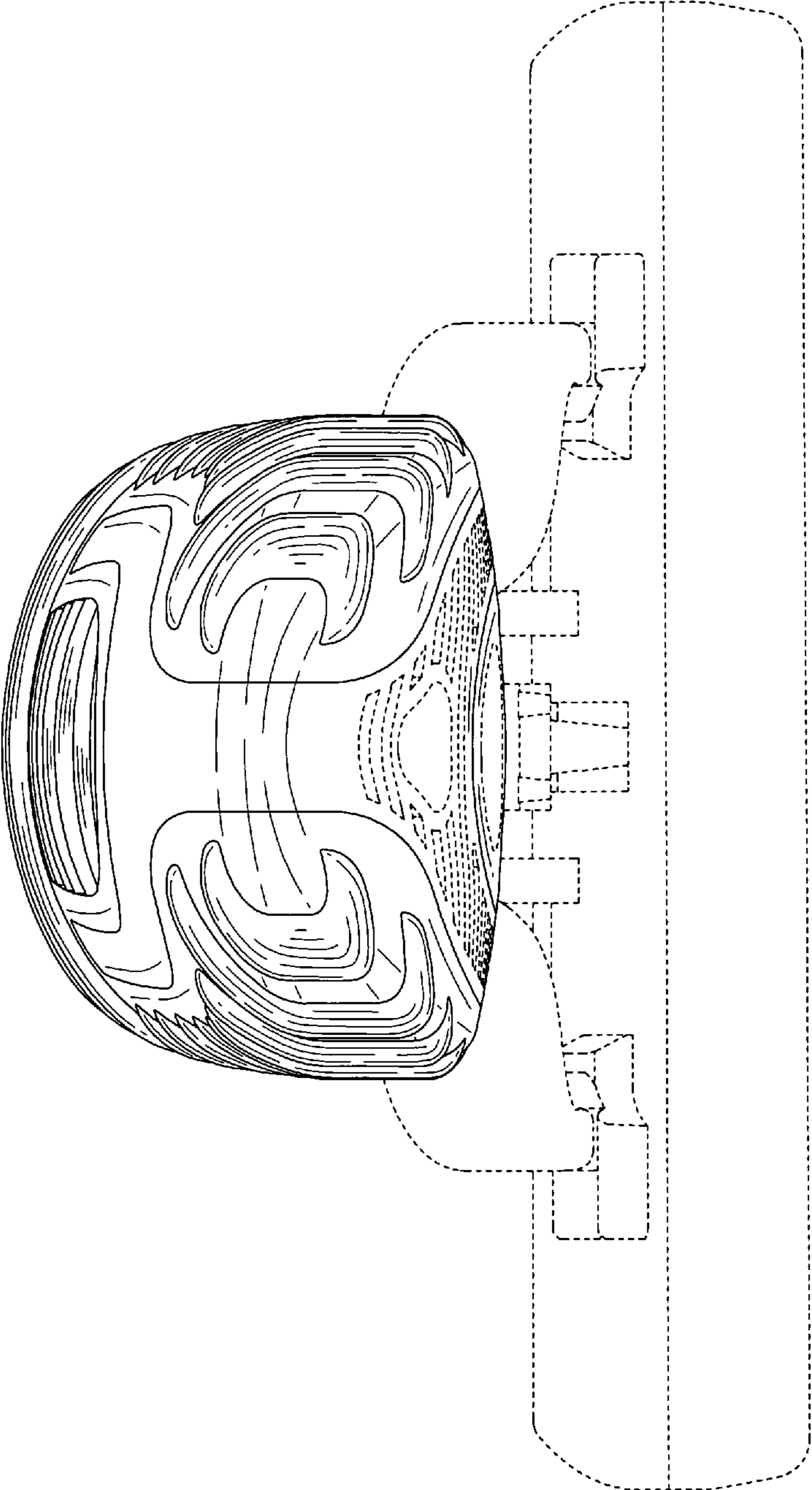


Fig. 6

Fig. 7

