

US00D662662S

(12) **United States Design Patent**
Rumsey

(10) **Patent No.:** **US D662,662 S**
(45) **Date of Patent:** **** Jun. 26, 2012**

(54) **HANDLE**

(76) Inventor: **Ian Rumsey**, Felixstowe (GB)

(**) Term: **14 Years**

(21) Appl. No.: **29/369,707**

(22) Filed: **Sep. 13, 2010**

(30) **Foreign Application Priority Data**

Mar. 11, 2010 (EM) 001201339-0002

(51) **LOC (9) Cl.** **28-03**

(52) **U.S. Cl.** **D28/48**

(58) **Field of Classification Search** D28/44-48;
30/32, 32.05, 34.1-34.2, 41, 44-46, 47-51,
30/57-58, 77-84, 526-539, 346.5-346.56,
30/346.612

See application file for complete search history.

(56) **References Cited**

U.S. PATENT DOCUMENTS

D502,291 S * 2/2005 King D28/48
D520,188 S * 5/2006 Nishiyama et al. D28/51

D542,472 S * 5/2007 Sakurai D28/48
7,322,108 B2 * 1/2008 Caldwell 30/49
D579,152 S * 10/2008 Kwak D28/46
D590,995 S * 4/2009 Furuta D28/48
D593,251 S * 5/2009 King D28/48
D603,097 S * 10/2009 Cataudella D28/47
D615,708 S * 5/2010 Lukan D28/48
D628,345 S * 11/2010 Webb D28/48
D632,433 S * 2/2011 Nakasuka D28/48
2005/0102847 A1 * 5/2005 King 30/527

* cited by examiner

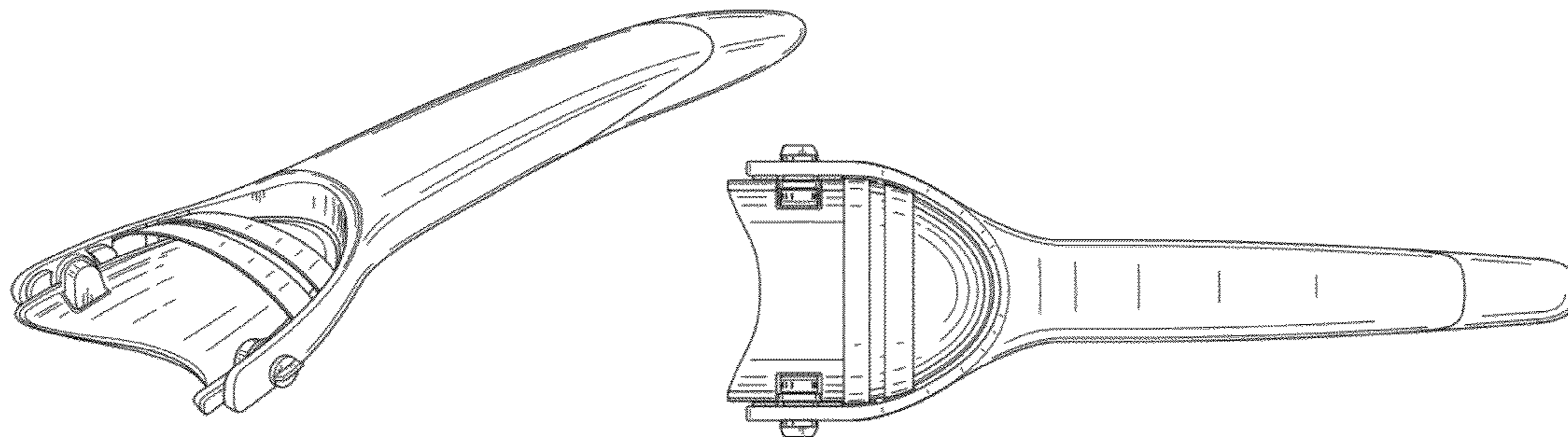
Primary Examiner — Jennifer Rivard

(57) **CLAIM**
The ornamental design for a handle, as shown.

DESCRIPTION

FIG. 1 is a top perspective view of a handle showing my new design;
FIG. 2 is a bottom perspective view thereof;
FIG. 3 is a front elevational view thereof;
FIG. 4 is a right elevational view thereof;
FIG. 5 is a left elevational view thereof;
FIG. 6 is a top plan view thereof; and,
FIG. 7 is a bottom plan view thereof.

1 Claim, 7 Drawing Sheets



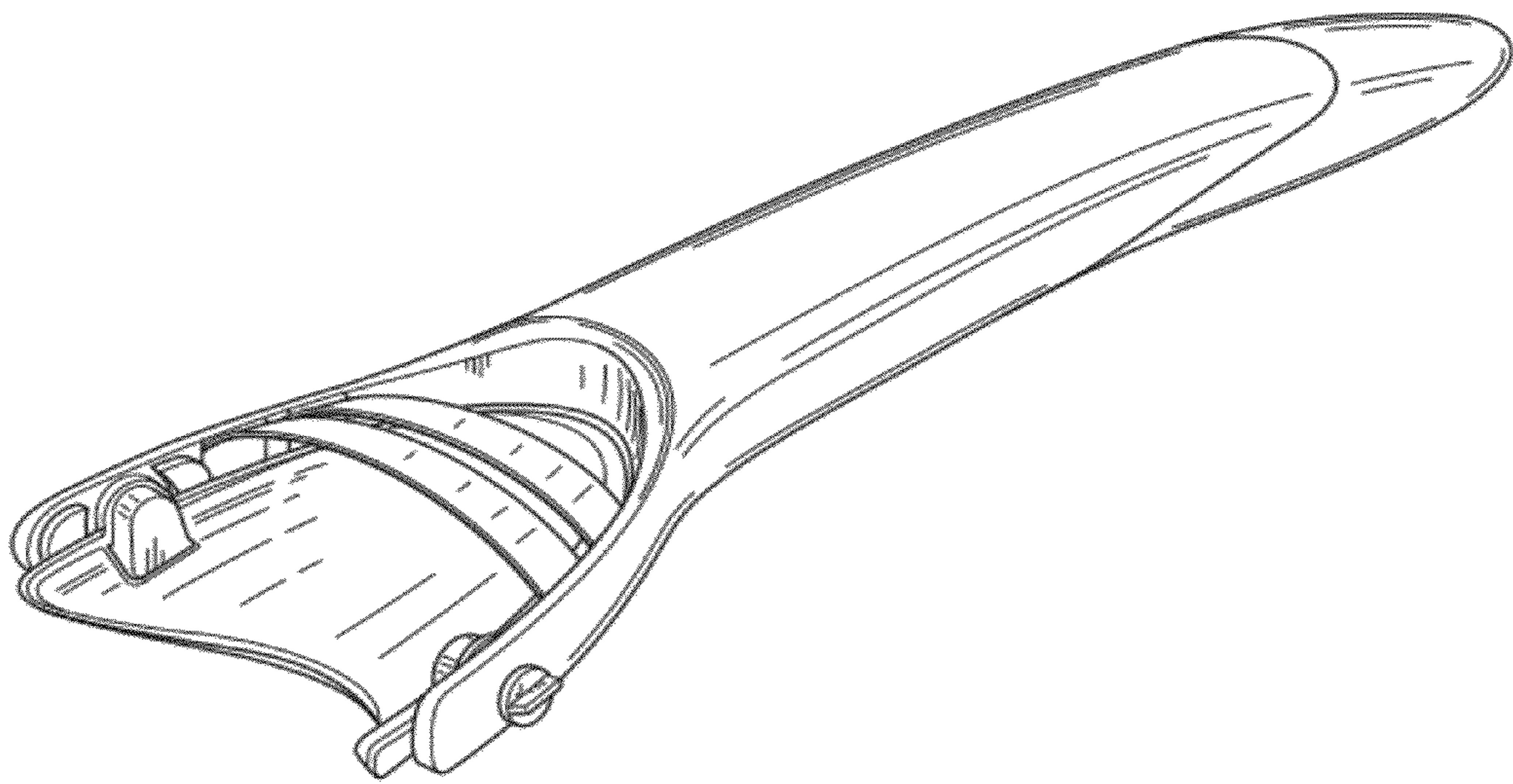


Fig. 1

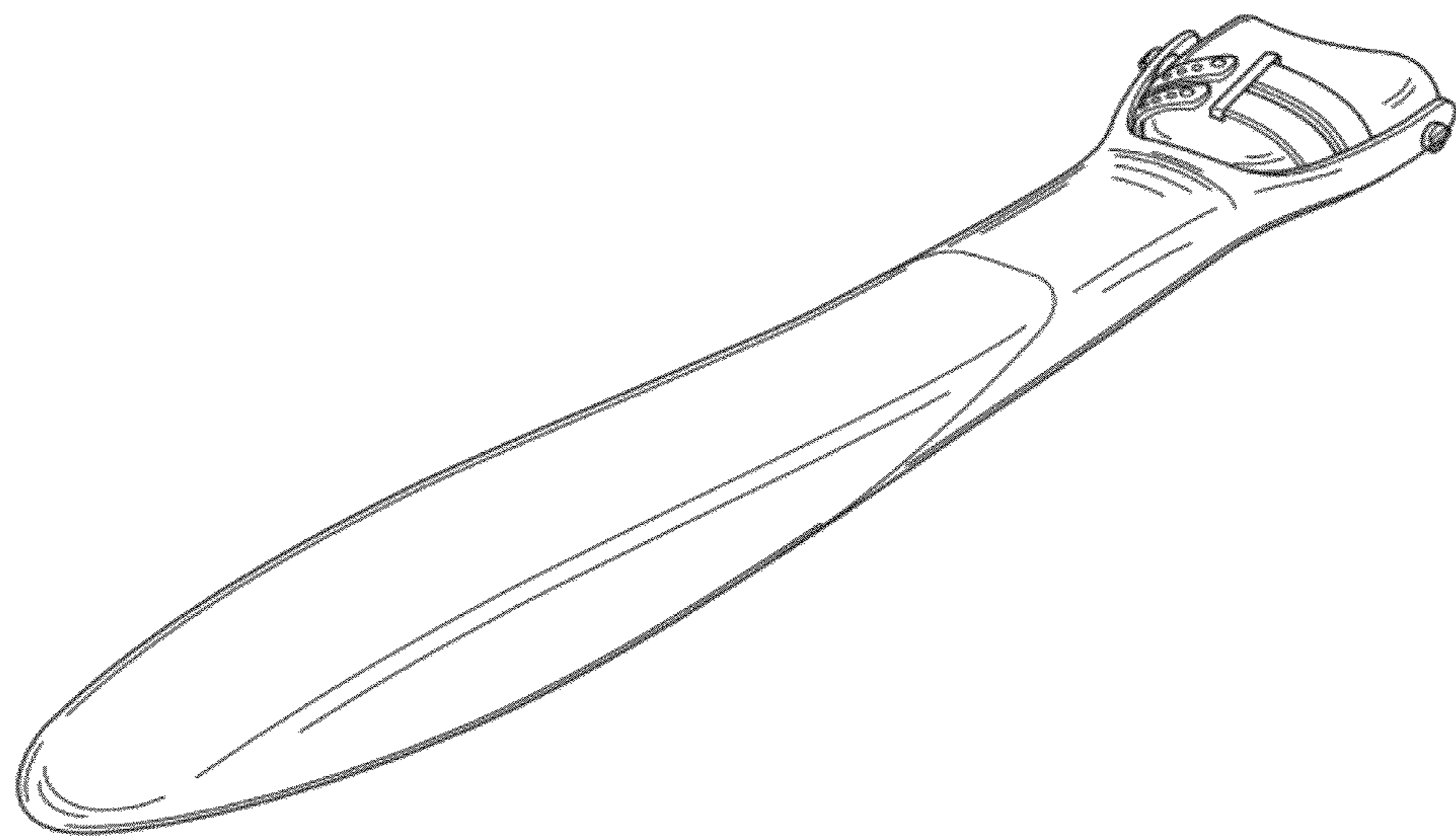


Fig. 2

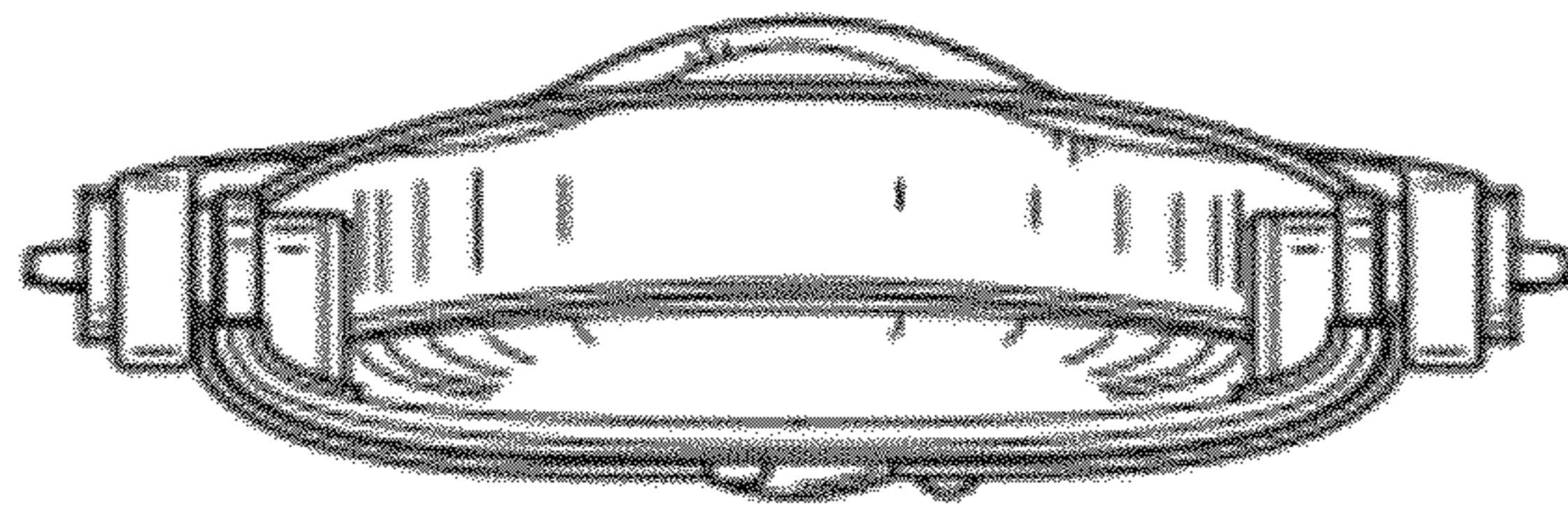


Fig. 3

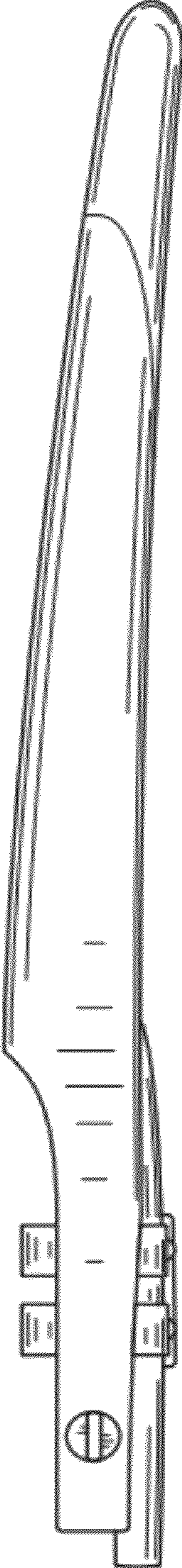


Fig. 4

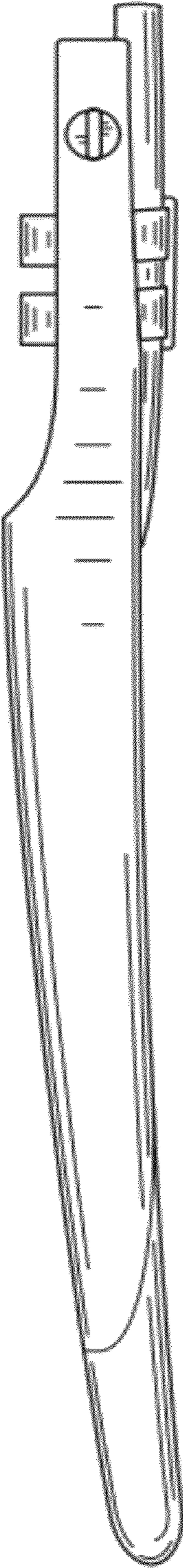


Fig. 5

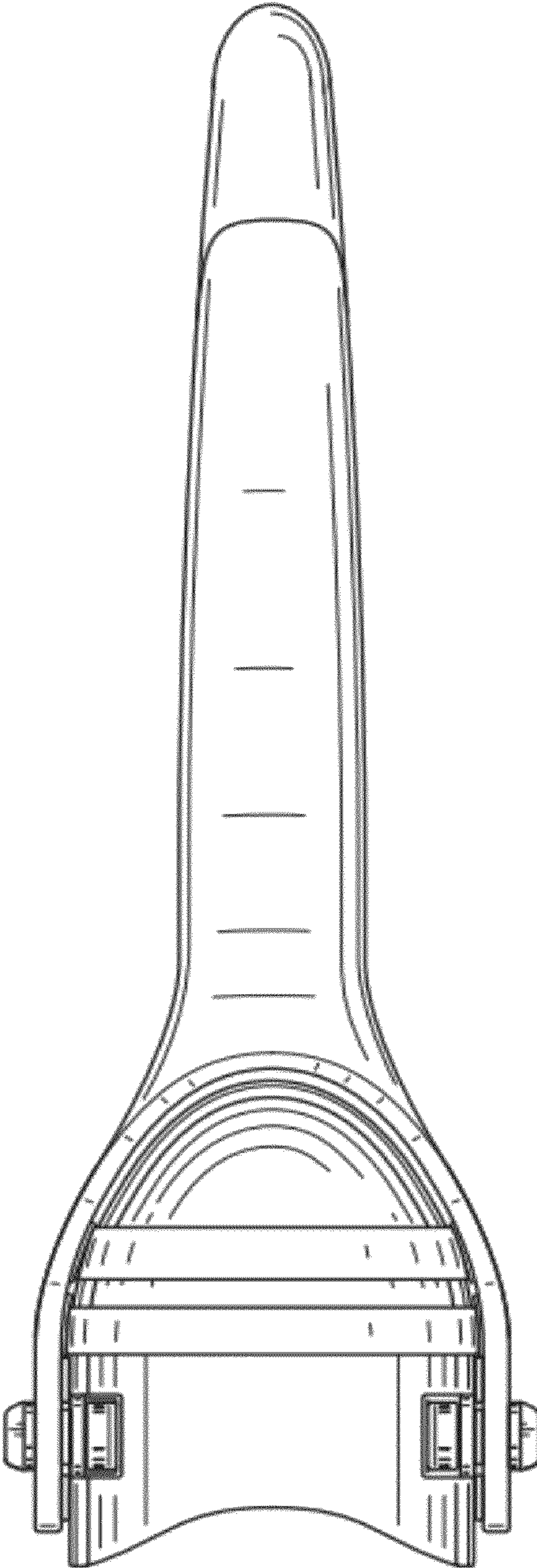


Fig. 6

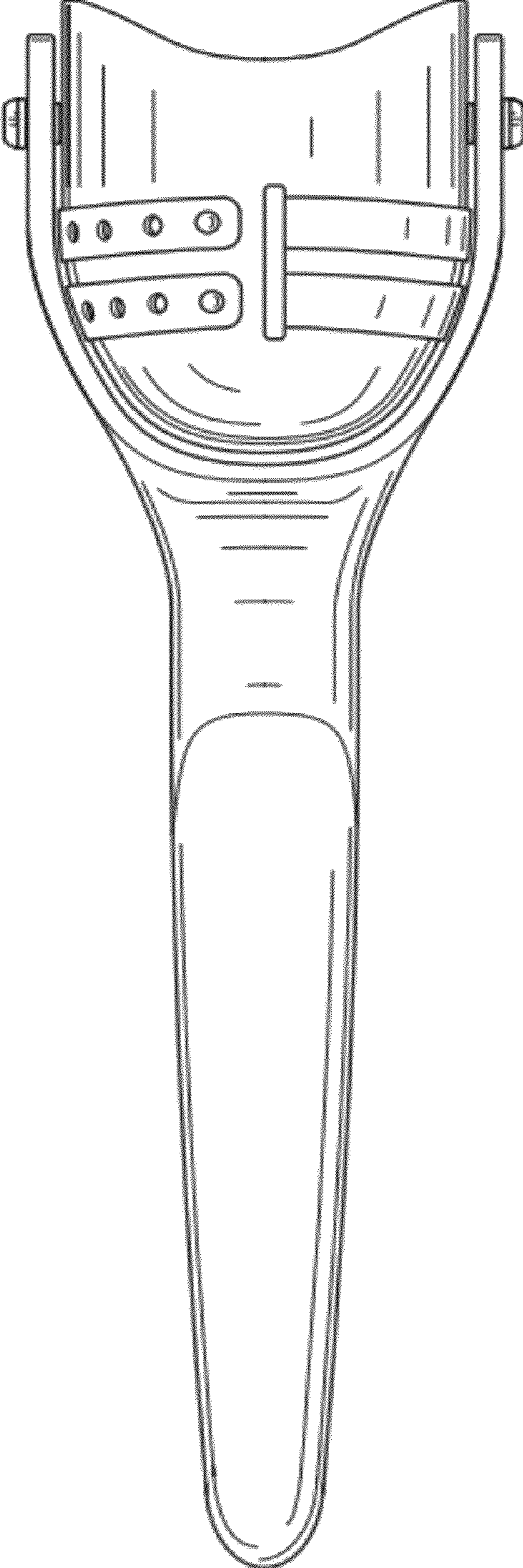


Fig. 7