



US00D662661S

(12) **United States Design Patent**
Corbeil et al.

(10) **Patent No.:** **US D662,661 S**

(45) **Date of Patent:** **** Jun. 26, 2012**

(54) **RAZOR CARTRIDGE**

(75) Inventors: **Corey Edward Corbeil**, Attleboro, MA (US); **Christopher Ramm**, North Attleboro, MA (US)

(73) Assignee: **The Gillette Company**, Boston, MA (US)

(**) Term: **14 Years**

(21) Appl. No.: **29/381,494**

(22) Filed: **Dec. 20, 2010**

(51) **LOC (9) Cl.** **28-03**

(52) **U.S. Cl.** **D28/47**

(58) **Field of Classification Search** 30/32, 32.05, 30/34.1-34.2, 41, 44-46, 47-51, 57-58, 30/77-84, 526-539

See application file for complete search history.

(56) **References Cited**

U.S. PATENT DOCUMENTS

D432,430 S *	10/2000	Steward et al.	D9/560
D434,485 S *	11/2000	Furner	D23/366
D466,414 S *	12/2002	Venkataraman et al.	D9/538
D547,494 S *	7/2007	Watson et al.	D28/47
D556,378 S *	11/2007	Watson et al.	D28/47
D563,043 S *	2/2008	Ramm	D28/47

D576,042 S *	9/2008	Dellevigne	D9/516
D622,904 S *	8/2010	Kinard et al.	D28/47
D627,100 S *	11/2010	Kinard et al.	D28/47
D627,101 S *	11/2010	Kinard et al.	D28/47
D631,198 S *	1/2011	Adams et al.	D28/47
D634,474 S *	3/2011	Wilby	D28/47
D638,580 S *	5/2011	Adams et al.	D28/46

* cited by examiner

Primary Examiner — Jennifer Rivard

(74) *Attorney, Agent, or Firm* — Ronald Terk Sia; Kevin C. Johnson; Steven W. Miller

(57) **CLAIM**

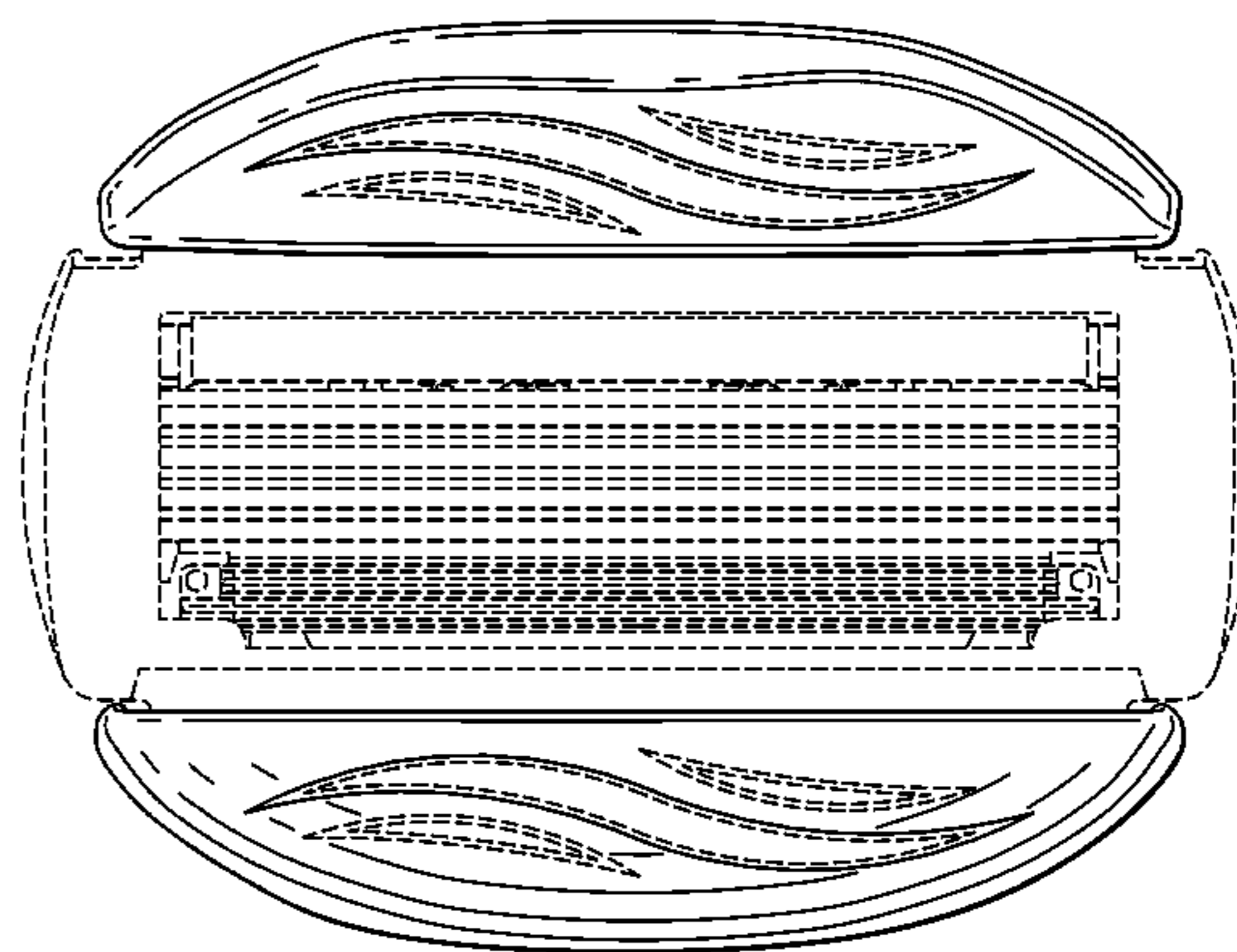
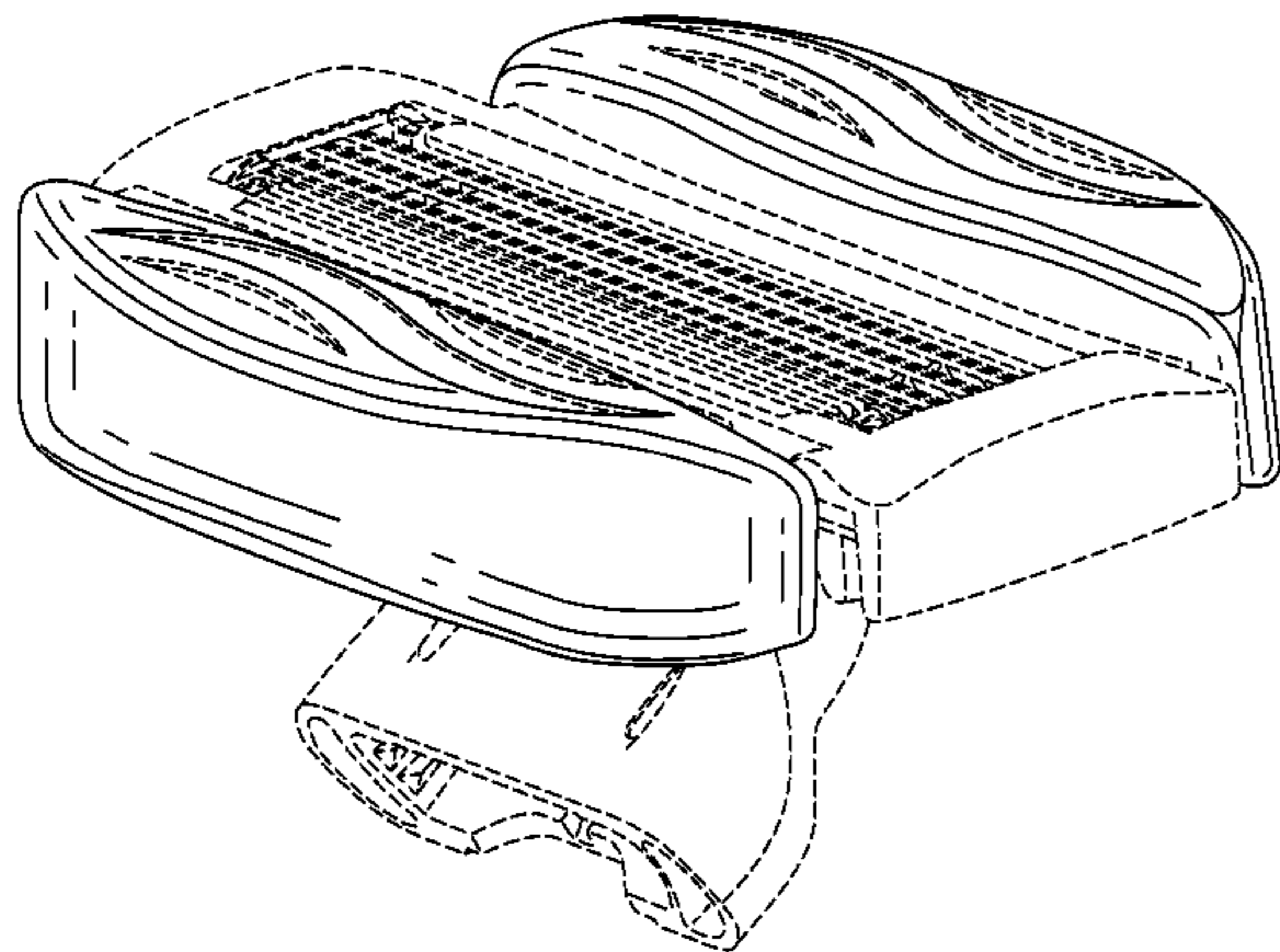
The ornamental design for a razor cartridge, as shown and described.

DESCRIPTION

FIG. 1 is a perspective view of a razor cartridge;
FIG. 2 is a front view thereof;
FIG. 3 is a back view thereof;
FIG. 4 is a right view thereof;
FIG. 5 is a left view thereof;
FIG. 6 is a top view thereof; and,
FIG. 7 is a bottom view thereof.

The dashed broken lines are directed to the environment and are for illustrative purposes only and form no part of the claimed design.

1 Claim, 4 Drawing Sheets



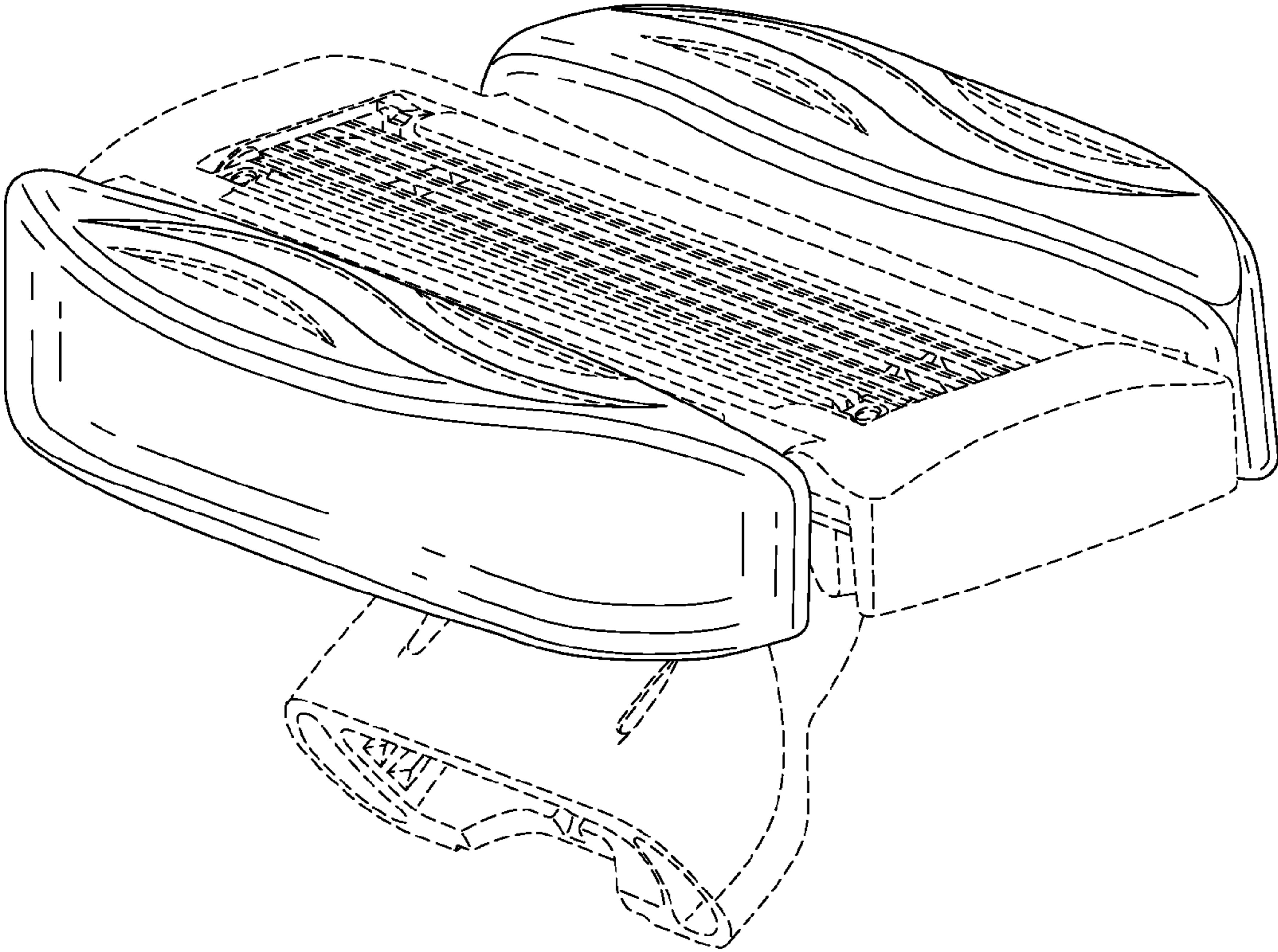


FIG. 1

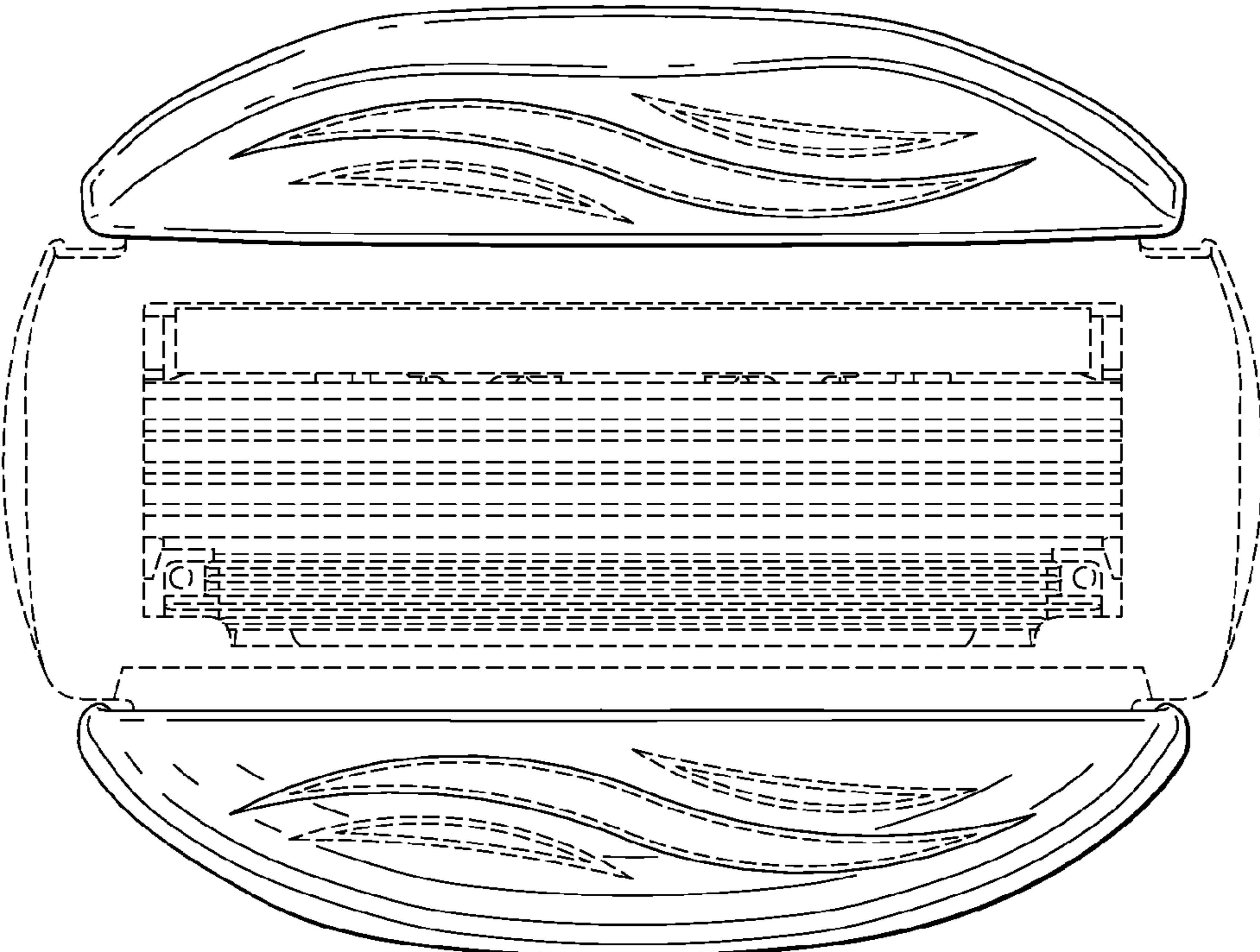


FIG. 2

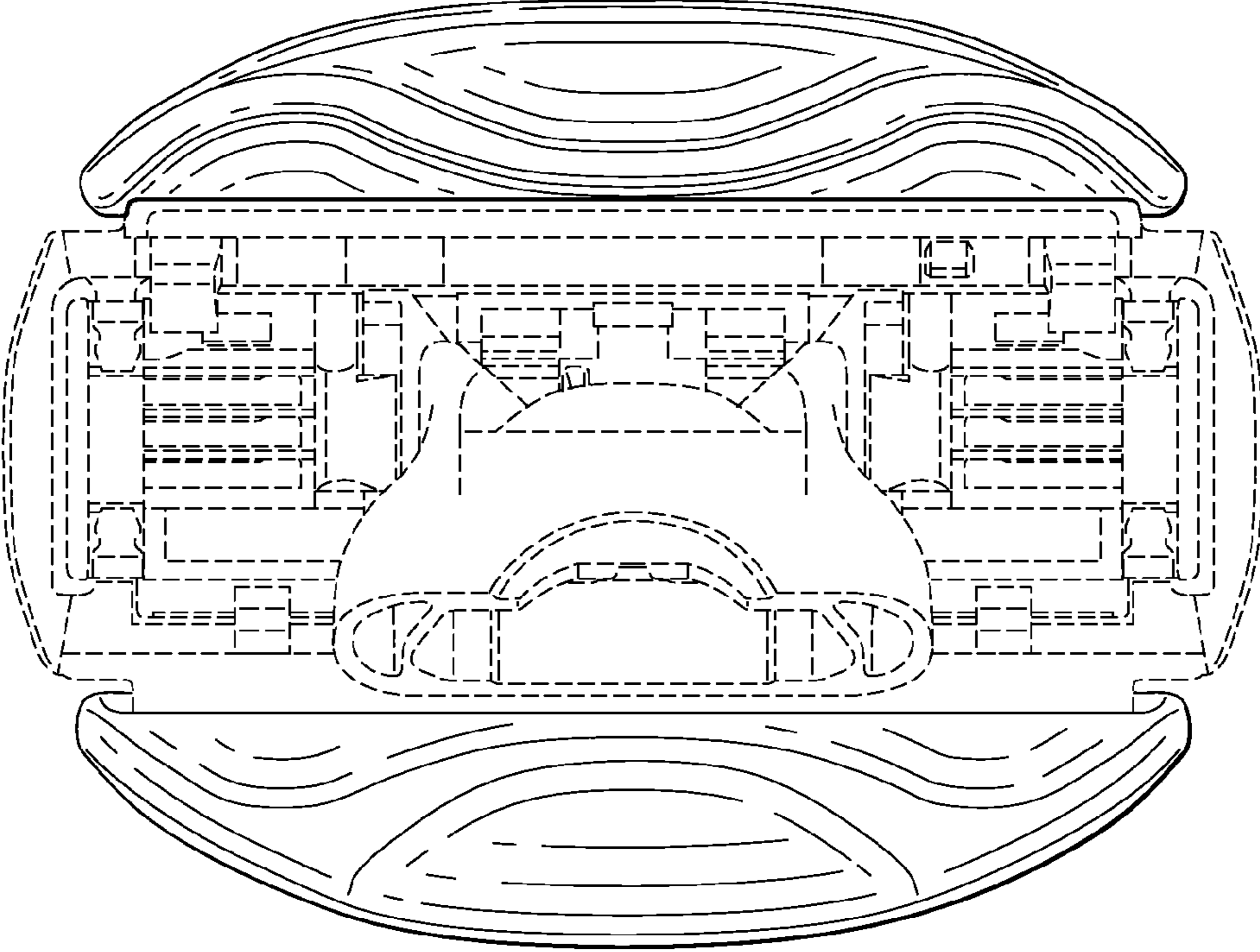


FIG. 3

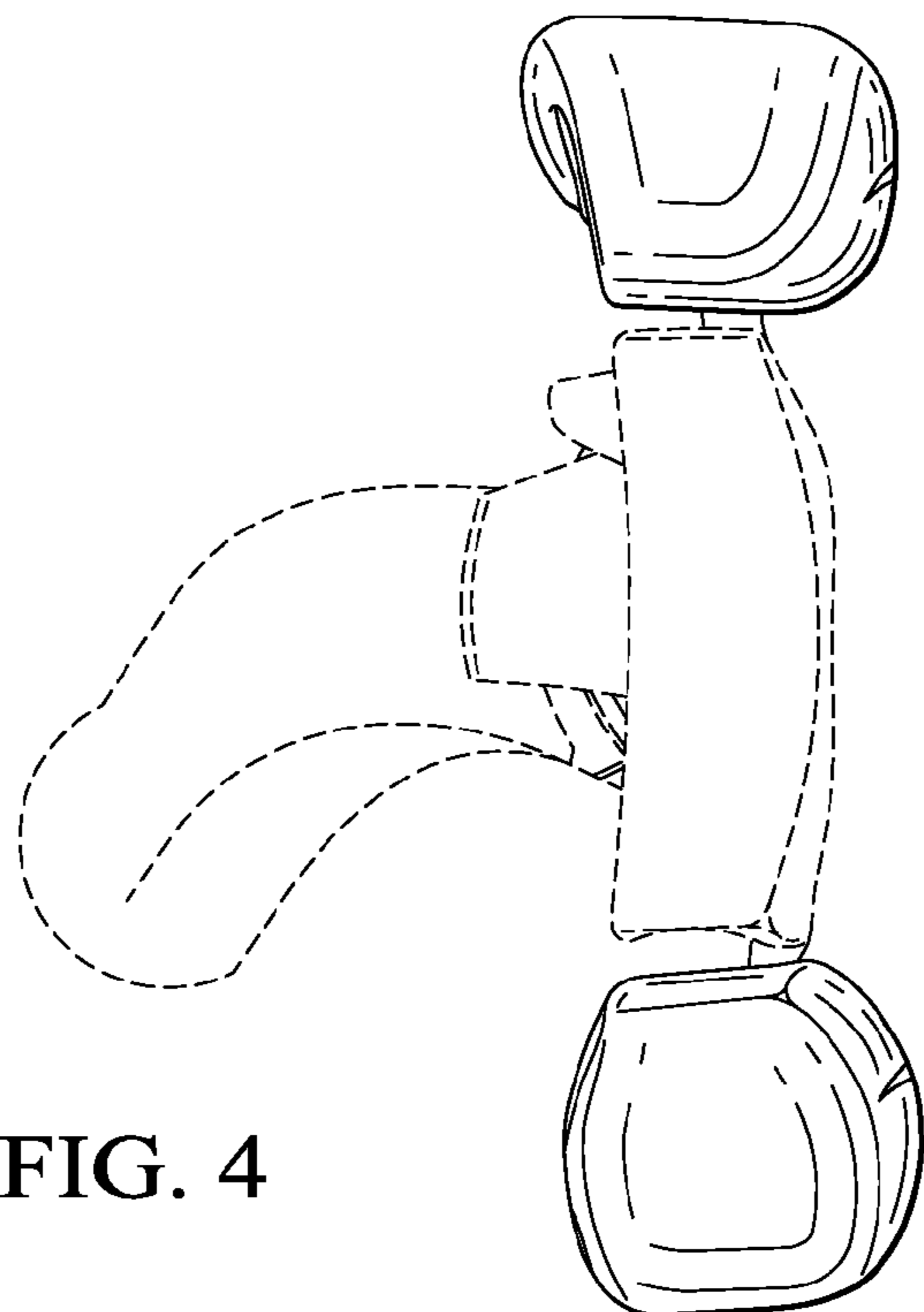


FIG. 4

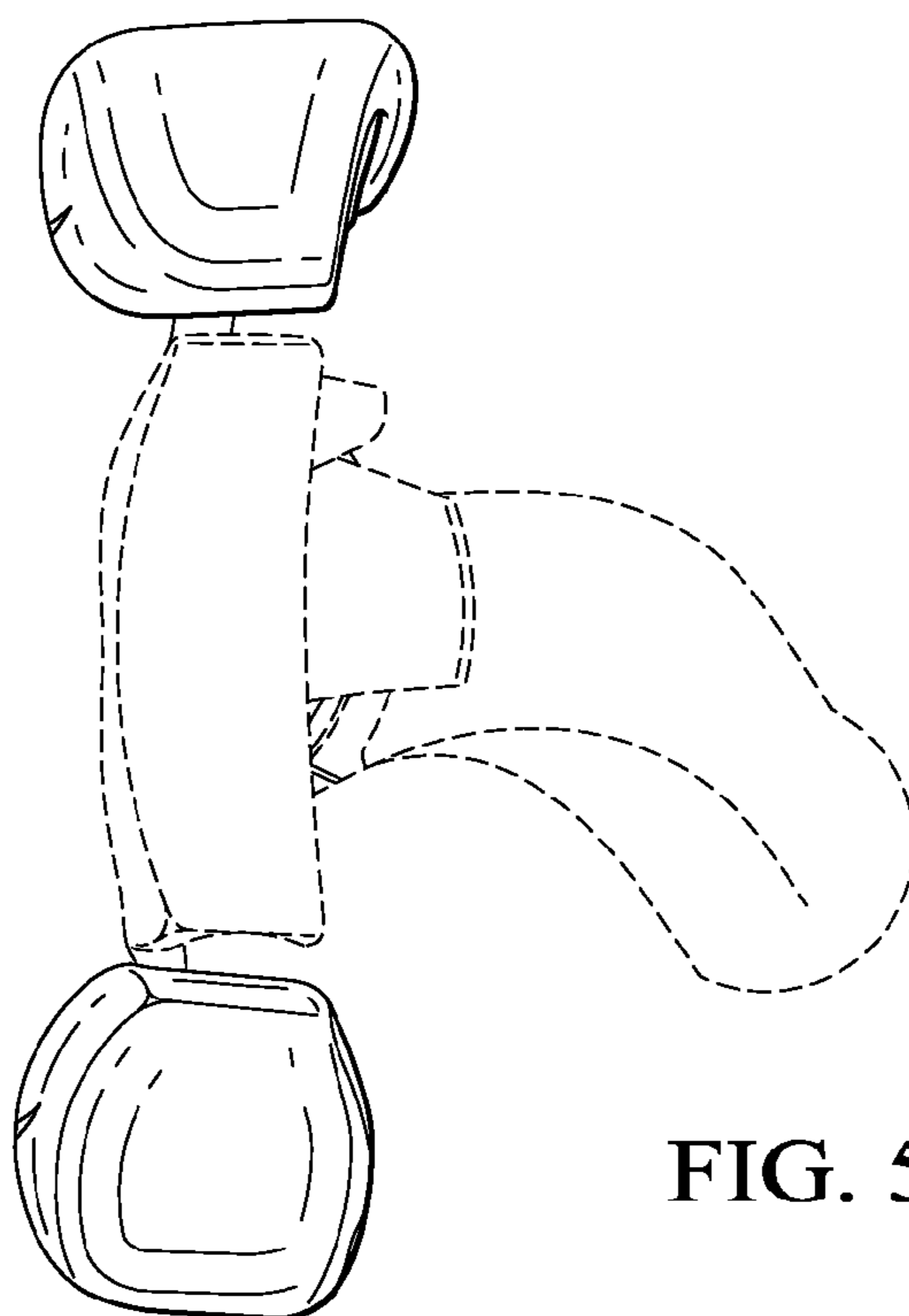


FIG. 5

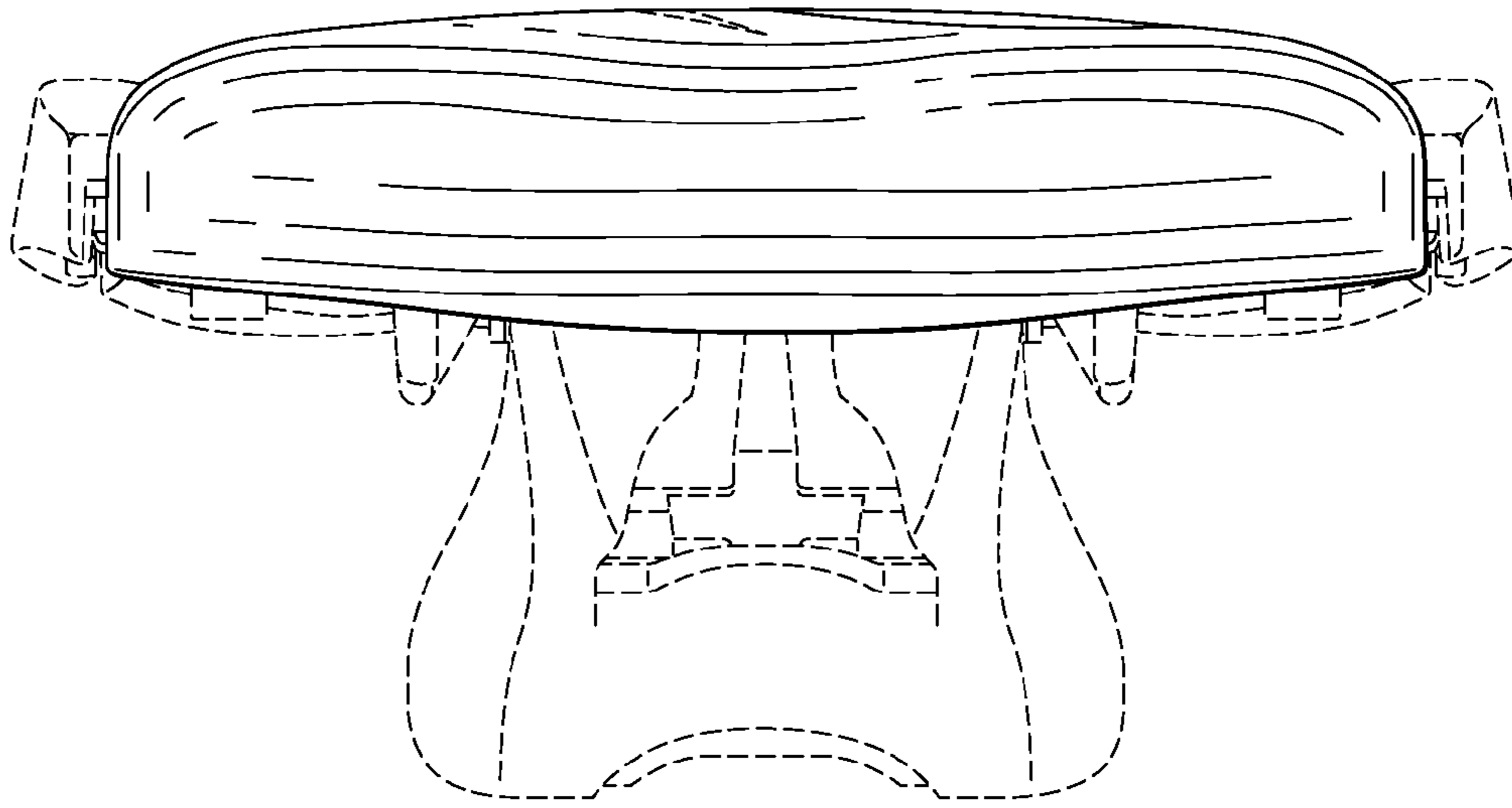


FIG. 6

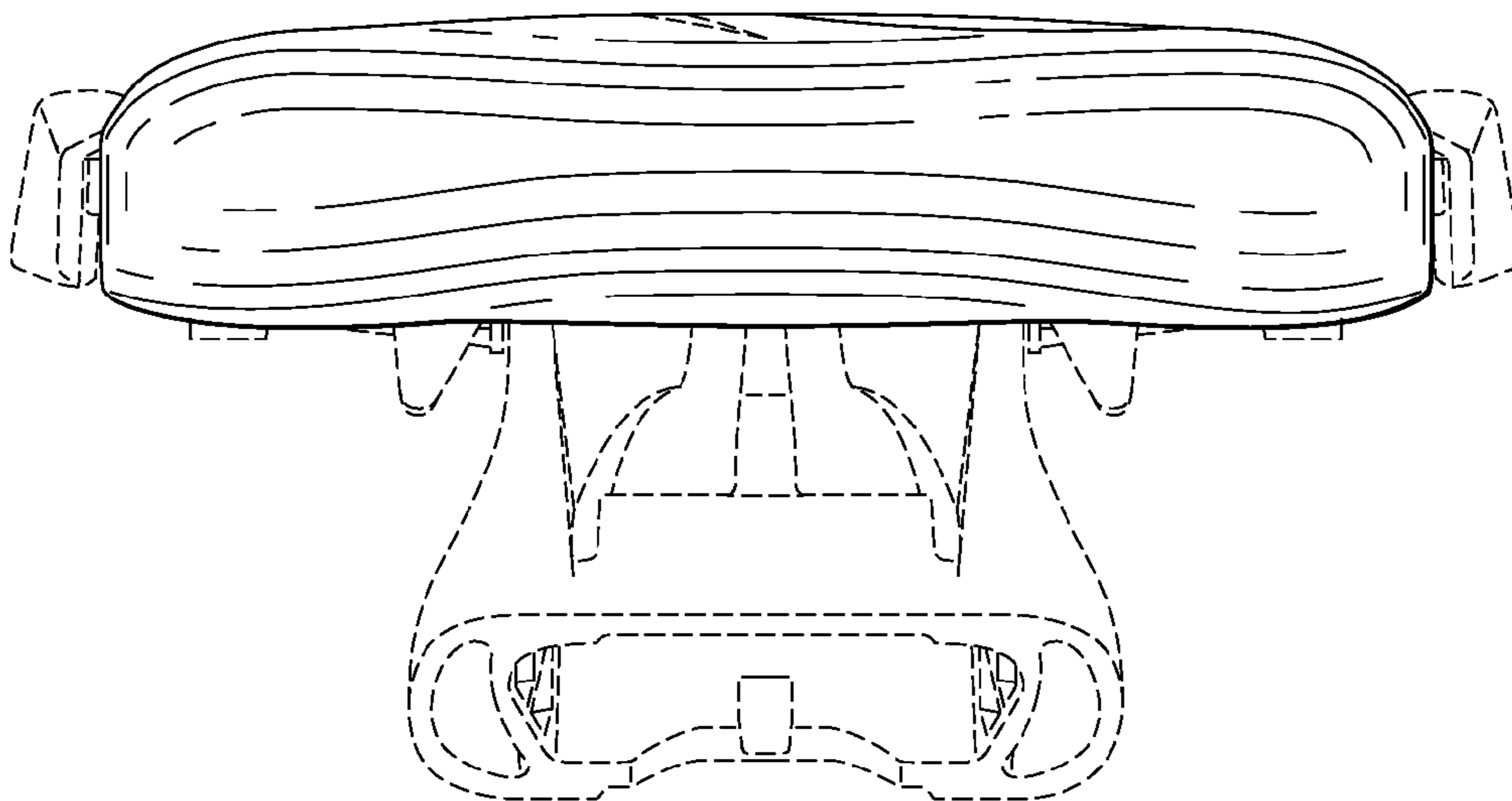


FIG. 7