

US00D662660S

(12) **United States Design Patent**
Byun

(10) **Patent No.:** **US D662,660 S**
(45) **Date of Patent:** **** Jun. 26, 2012**

(54) **EPILATOR**

(56) **References Cited**

(75) Inventor: **Da-Mi Byun**, Amsterdam (NL)

U.S. PATENT DOCUMENTS

(73) Assignee: **Koninklijke Philips Electronics N.V.**,
Eindhoven (NL)

D376,010	S	*	11/1996	Kip	D28/44.1
D477,436	S	*	7/2003	McCurrach	D28/44.1
D608,052	S	*	1/2010	Beedham	D28/44.1
D611,198	S	*	3/2010	Platek	D28/44.1
D645,202	S	*	9/2011	Beedham	D28/44.1
D645,203	S	*	9/2011	Douloubakas	D28/44.1
2012/0035621	A1	*	2/2012	Platek	606/133

(**) Term: **14 Years**

* cited by examiner

(21) Appl. No.: **29/404,238**

Primary Examiner — Jennifer Rivard

(22) Filed: **Oct. 18, 2011**

(57) **CLAIM**
The ornamental design for an epilator, as shown.

(30) **Foreign Application Priority Data**

DESCRIPTION

Apr. 20, 2011 (EM) 001853771-0001

(51) **LOC (9) Cl.** **28-03**

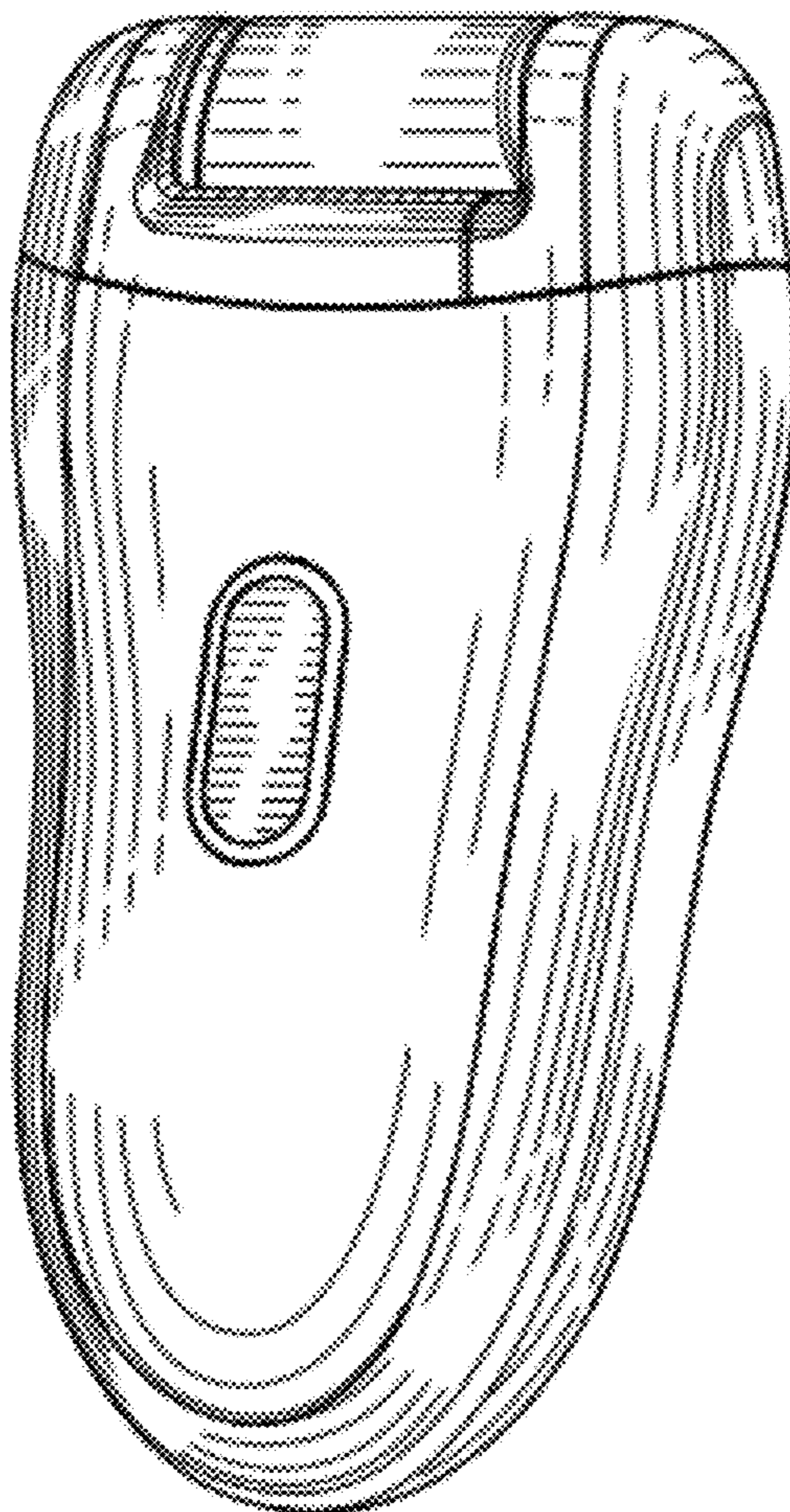
(52) **U.S. Cl.** **D28/44.1**

(58) **Field of Classification Search** D28/44-48;
30/32, 34.05, 34.1, 34.2, 42-61, 77-84, 526-538,
30/346.5-346.61; 606/131, 133, 134

FIG. 1 is a perspective view showing my design;
FIG. 2 is a front elevational view thereof;
FIG. 3 is a rear elevational view thereof;
FIG. 4 is a right side elevational view thereof;
FIG. 5 is a left side elevational view thereof;
FIG. 6 is a top plan view thereof; and,
FIG. 7 is a bottom plan view thereof.

See application file for complete search history.

1 Claim, 3 Drawing Sheets



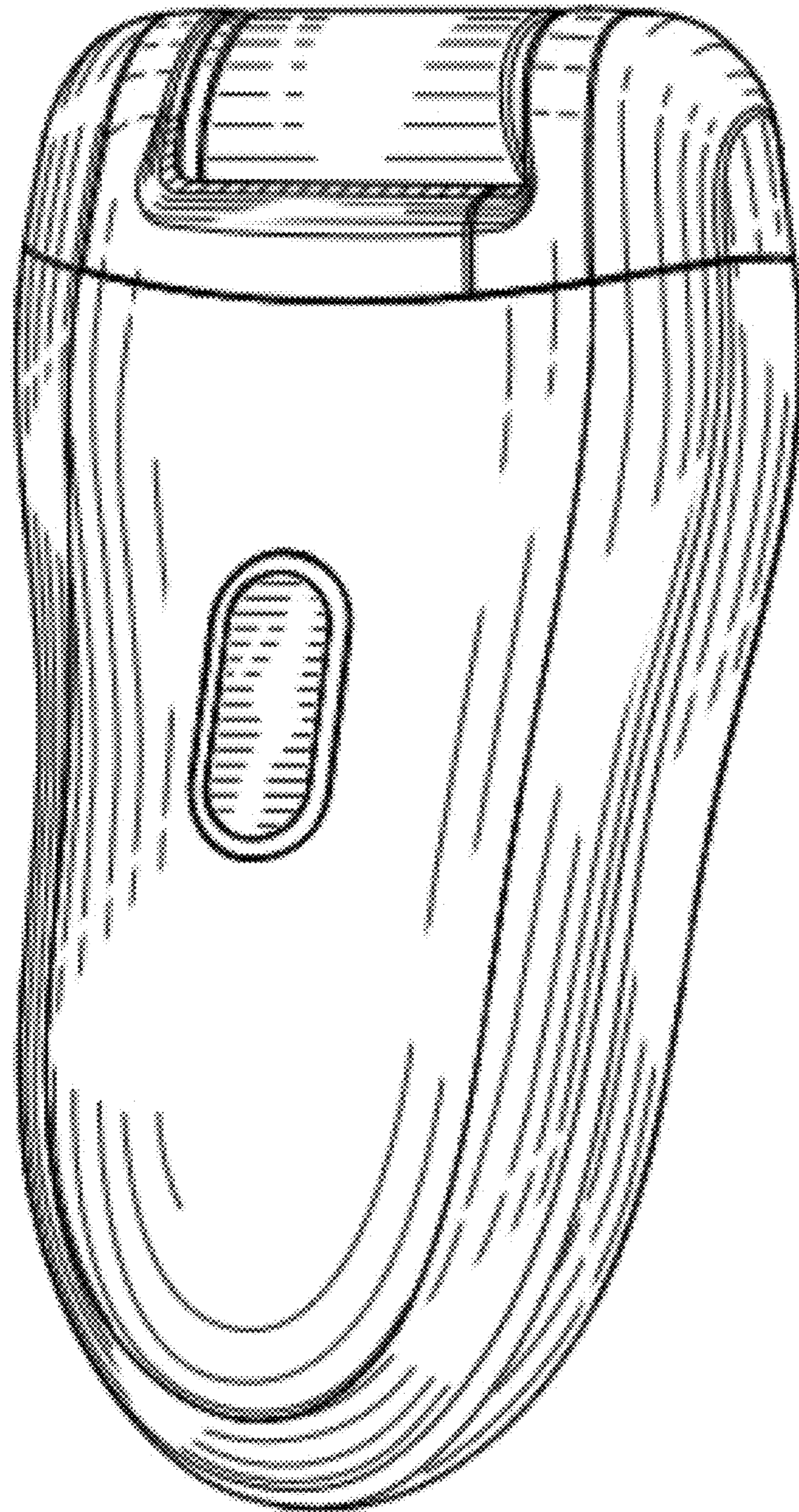


FIG. 1

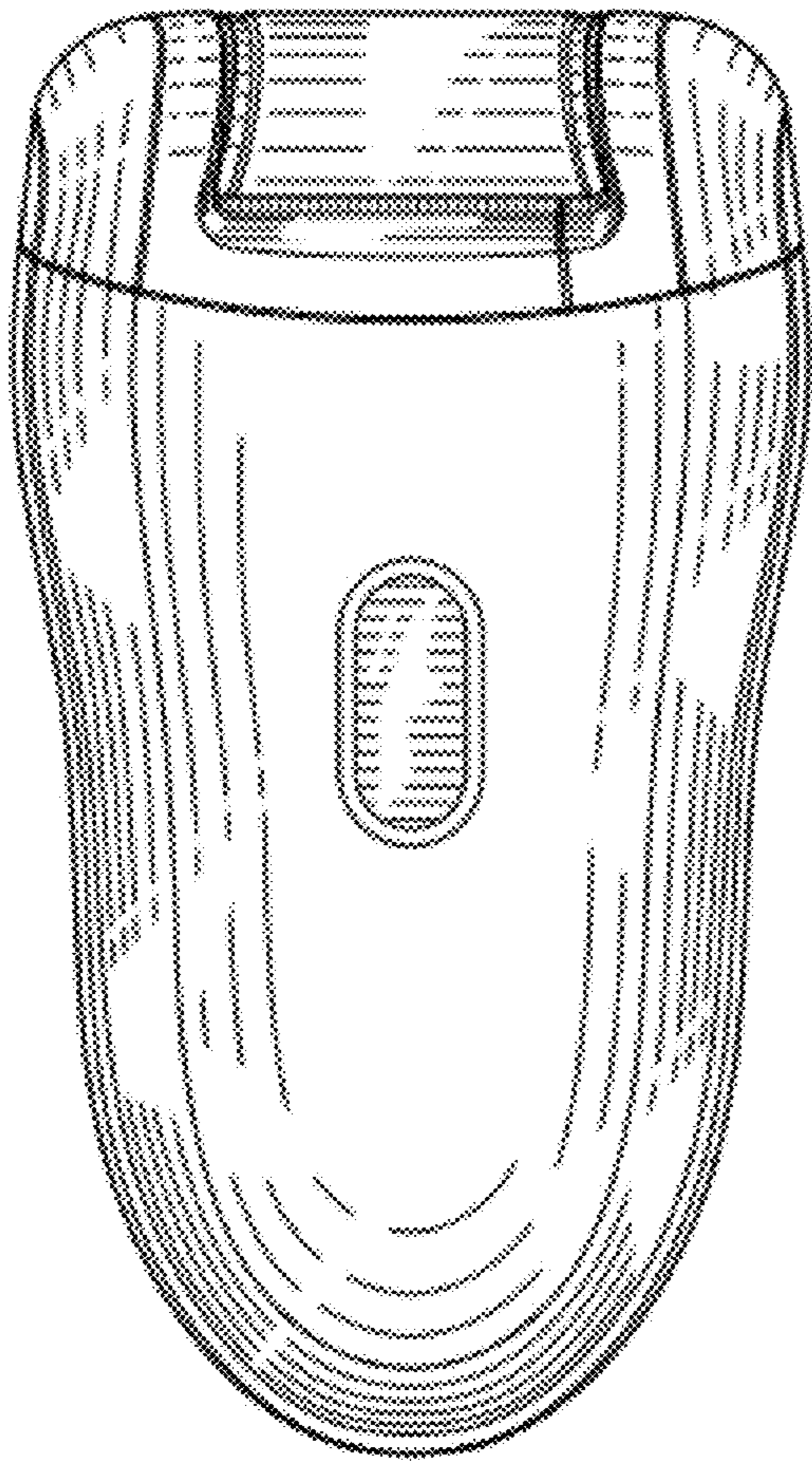


FIG. 2

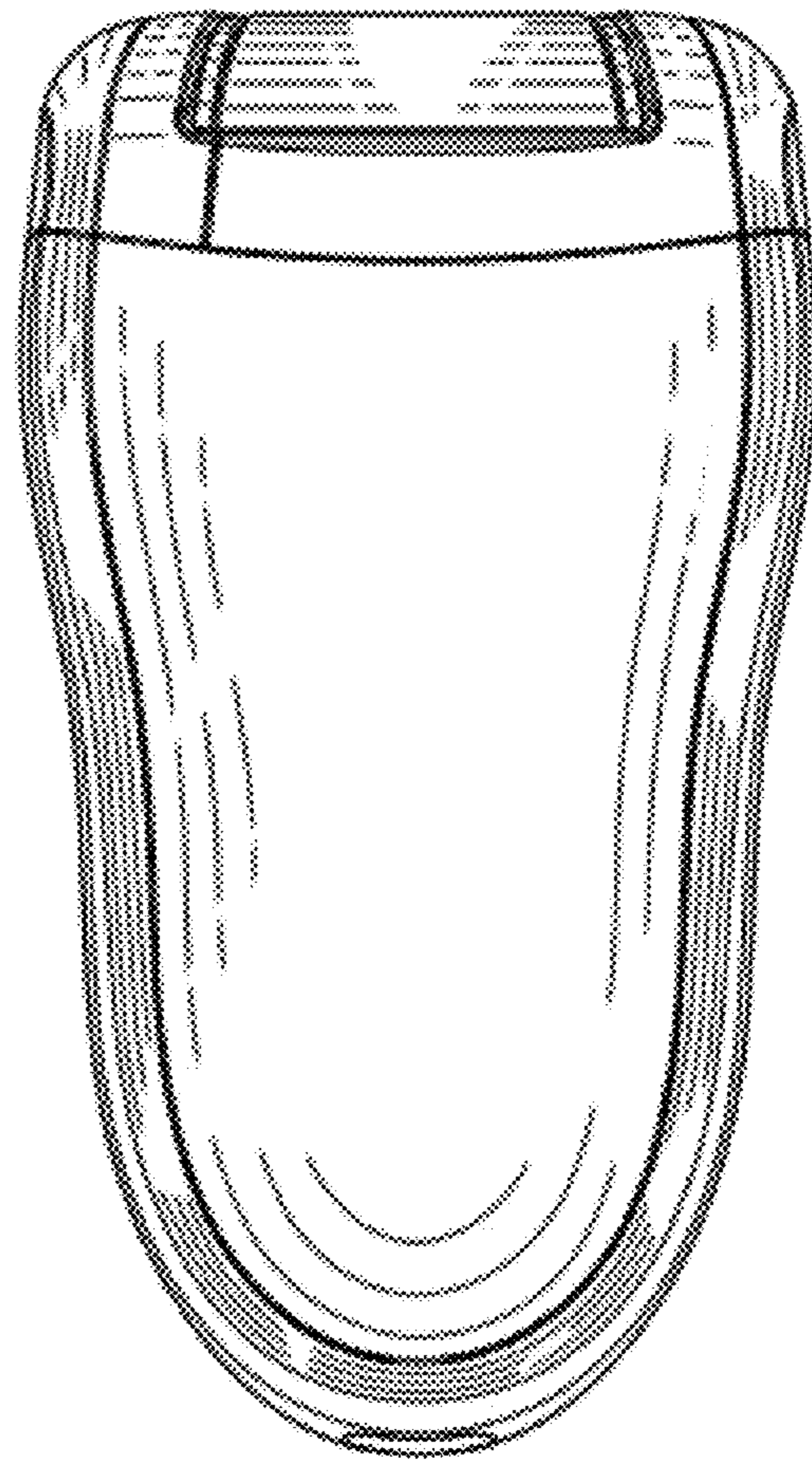


FIG. 3



FIG. 4



FIG. 5

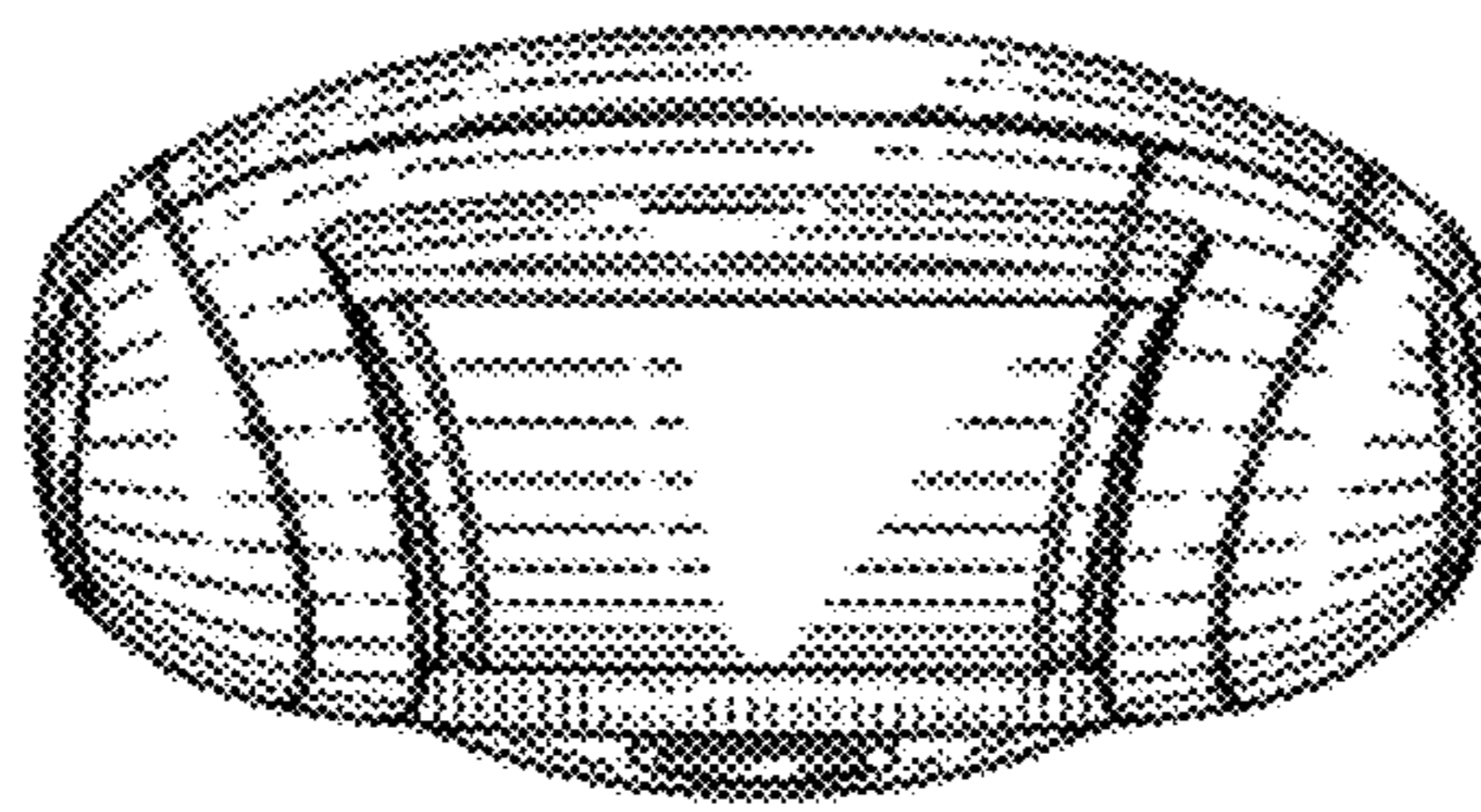


FIG. 6

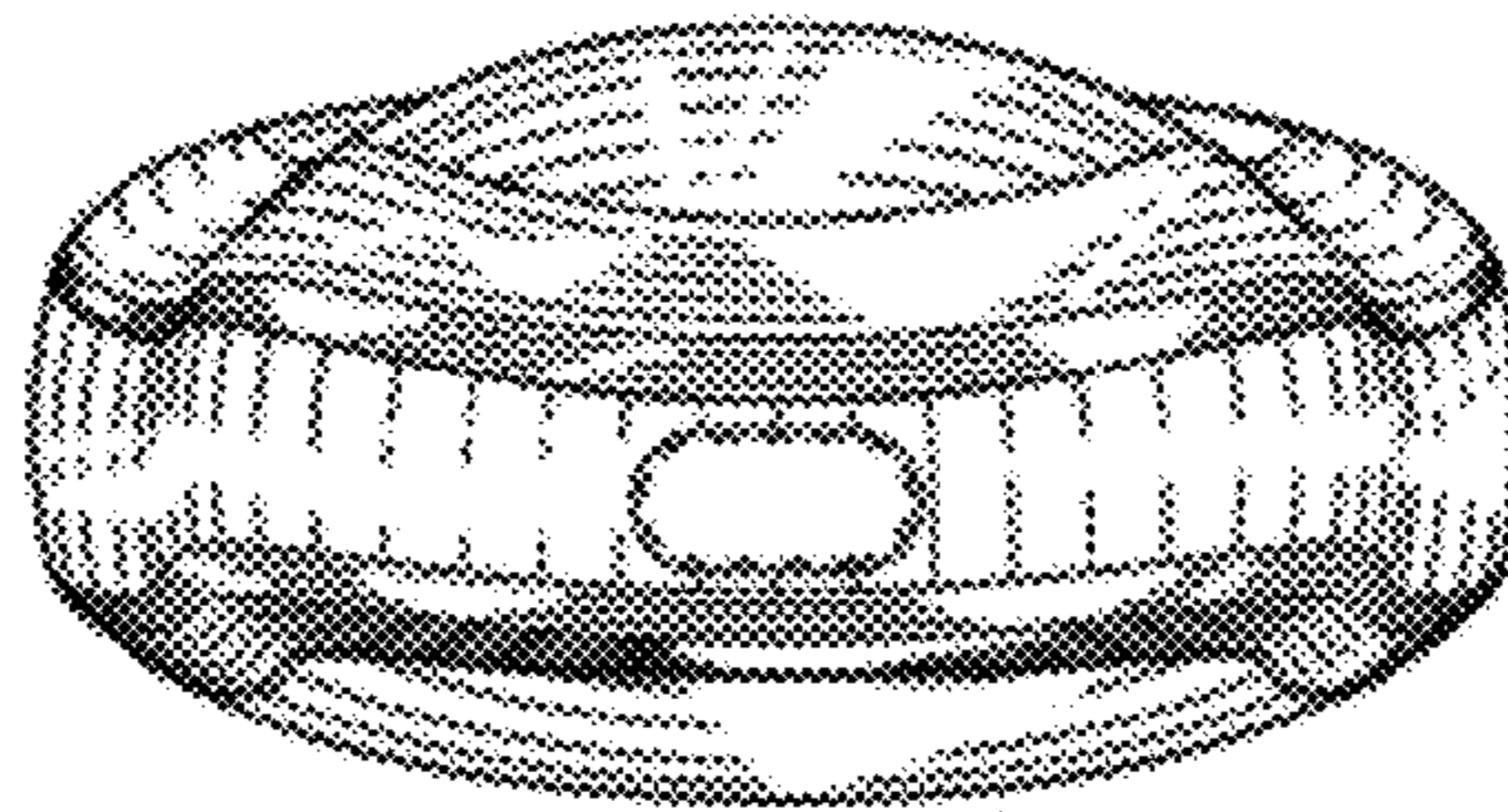


FIG. 7