

US00D662653S

(12) **United States Design Patent**
Hochman

(10) **Patent No.:** **US D662,653 S**
(45) **Date of Patent:** **** Jun. 26, 2012**

(54) **LINEAR LIGHTING TRACK MOUNT**

(56) **References Cited**

(75) Inventor: **Jeremy Hochman**, Glendale, CA (US)

U.S. PATENT DOCUMENTS

(73) Assignee: **Full Throttle Films, Inc.**, Glendale, CA (US)

(**) Term: **14 Years**

(21) Appl. No.: **29/407,473**

(22) Filed: **Nov. 29, 2011**

(51) **LOC (9) Cl.** **26-99**

(52) **U.S. Cl.** **D26/138**

(58) **Field of Classification Search** D26/113,

D26/71, 72, 73, 74, 75, 76, 78, 122, 121,
D26/120, 119, 118, 1, 80, 86, 87, 88, 89,
D26/90, 35, 36, 85, 62, 61, 63, 64, 65, 66,
D26/67, 68, 28, 31, 24, 25, 26, 60, 103, 104,
D26/105, 106, 109, 110, 93, 138, 140, 141,
D26/142, 143, 144, 145, 152, 153, 154, 155,
D26/41, 42, 51, 52, 50, 37, 128, 123, 124,
D26/125, 129, 131, 134, 135, 136, 2, 3; D13/179,
D13/180; D8/354, 382, 373, 377; 362/373,
362/294.02, 218, 510, 516, 410, 183, 396,
362/130, 190, 249.07, 249.09, 249.1, 249.11,
362/285, 413, 287, 220, 418, 419, 92, 249.08,
362/205, 184, 260, 399, 398, 397, 258, 374,
362/375, 216, 558, 561, 354, 249.06, 249.05,
362/132, 133, 249.03, 223, 241, 345, 327,
362/217.05, 247, 224, 297; 52/455; D25/124,
D25/125, 60, 119; 349/113, 61, 59, 60, 62,
349/64, 65, 67, 66; 248/558, 339, 557; 438/15;
345/102; D12/406; D10/114.1, 111; D11/145,
D11/144, 125, 121; 428/11; 257/96, 97,
257/98, 99

D193,022	S	*	6/1962	Zurawski	D26/76
D227,984	S	*	7/1973	Lang	D25/125
D247,061	S	*	1/1978	Win	D26/152
D247,194	S	*	2/1978	Win	D26/152
D247,637	S	*	3/1978	Win	D26/152
D286,194	S	*	10/1986	Bancroft	D25/125
4,814,954	A	*	3/1989	Spitz	362/217.07
5,031,083	A	*	7/1991	Claesson	362/249.06
D329,707	S	*	9/1992	Embree et al.	D25/119
5,499,170	A	*	3/1996	Gagne	362/84
D384,178	S	*	9/1997	Costa	D26/76
5,724,909	A	*	3/1998	Pitman et al.	116/202
D437,944	S	*	2/2001	Neuhofer, Jr.	D25/199
6,276,634	B1	*	8/2001	Bodle	244/118.5
D453,971	S	*	2/2002	Baker	D25/124
D459,014	S	*	6/2002	Chen	D26/85
6,582,103	B1	*	6/2003	Popovich et al.	362/307
6,659,623	B2	*	12/2003	Friend	362/249.06
D489,465	S	*	5/2004	Allsopp	D25/119
6,874,919	B2	*	4/2005	Stokes et al.	362/471
6,929,382	B2	*	8/2005	Kuisma	362/219
7,090,375	B2	*	8/2006	Kuisma	362/225

(Continued)

Primary Examiner — Kevin Rudzinski

(74) *Attorney, Agent, or Firm* — Arent Fox LLP

(57) **CLAIM**

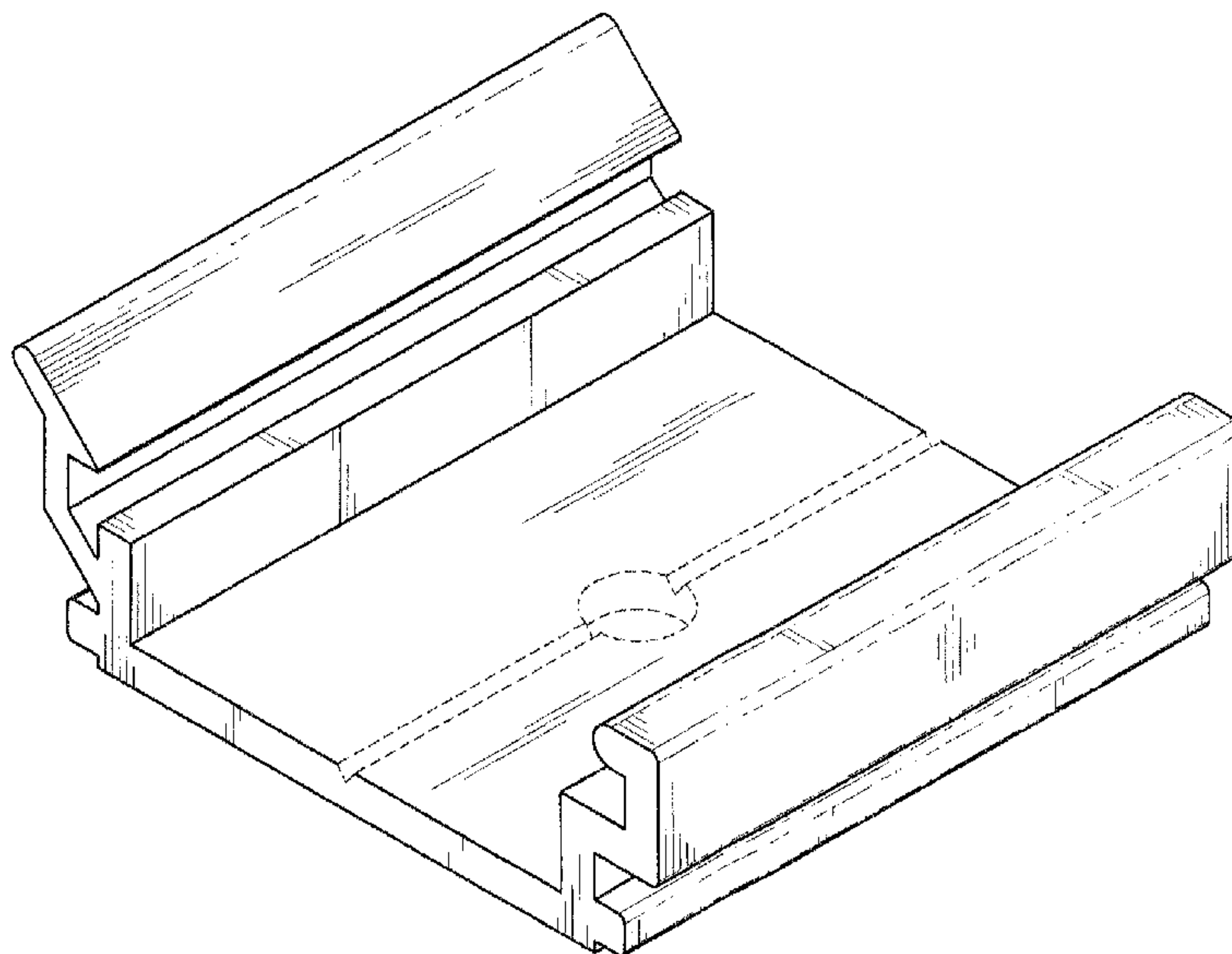
The ornamental design for a linear lighting track mount, as shown and described.

DESCRIPTION

FIG. 1 is a perspective view of a linear lighting track mount showing the present invention; and, FIG. 2 is an enlarged front view thereof. The broken lines shown in the drawings illustrate portions of the linear lighting track mount that form no part of the claimed design.

See application file for complete search history.

1 Claim, 2 Drawing Sheets



US D662,653 S

Page 2

U.S. PATENT DOCUMENTS

7,331,689	B2 *	2/2008	Chen	362/240	D634,063	S *	3/2011	Peifer	D26/138
D578,705	S *	10/2008	Aberg et al.	D26/138	7,918,591	B2 *	4/2011	Lynch	362/365
D582,602	S *	12/2008	Maxik et al.	D26/118	7,926,985	B2 *	4/2011	Teng et al.	362/373
7,513,639	B2 *	4/2009	Wang	362/218	D649,680	S *	11/2011	Trzesniowski	D26/138
D610,736	S *	2/2010	Klaus	D26/76	D649,686	S *	11/2011	Trzesniowski	D26/138
7,654,703	B2 *	2/2010	Kan et al.	362/362	8,079,731	B2 *	12/2011	Lynch et al.	362/249.02
7,766,505	B2 *	8/2010	Tseng et al.	362/217.17	D652,986	S *	1/2012	Trzesniowski	D26/138
D623,343	S *	9/2010	Klus	D26/138	2003/0174517	A1 *	9/2003	Kiraly et al.	362/555
D625,588	S *	10/2010	Norris et al.	D8/382	2008/0192462	A1 *	8/2008	Stedly et al.	362/218
D627,914	S *	11/2010	Couture	D26/76	2010/0103657	A1 *	4/2010	Teng et al.	362/223
7,854,527	B2 *	12/2010	Anderson	362/133	2010/0135020	A1 *	6/2010	Moore	362/249.02

* cited by examiner

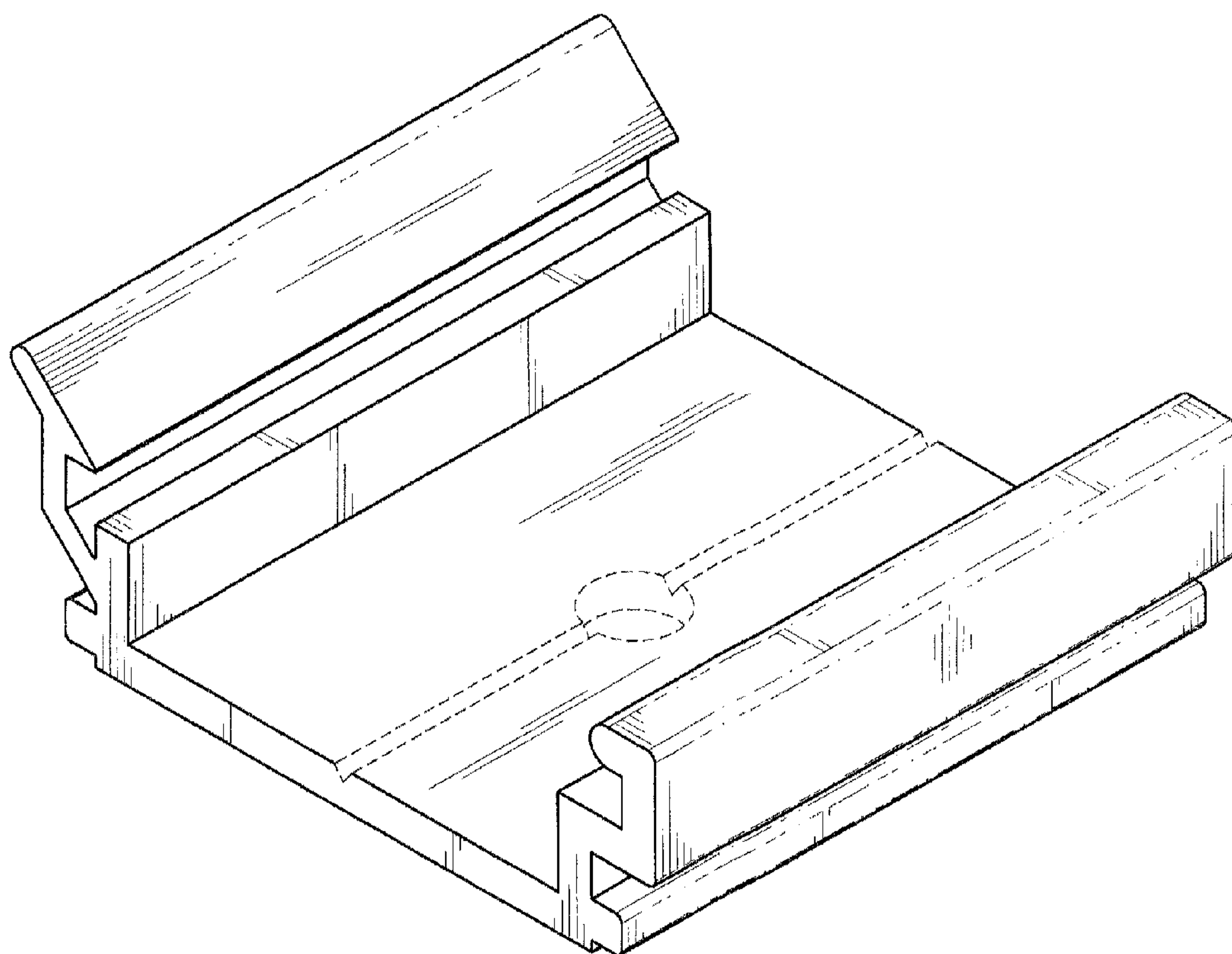


FIG. 1

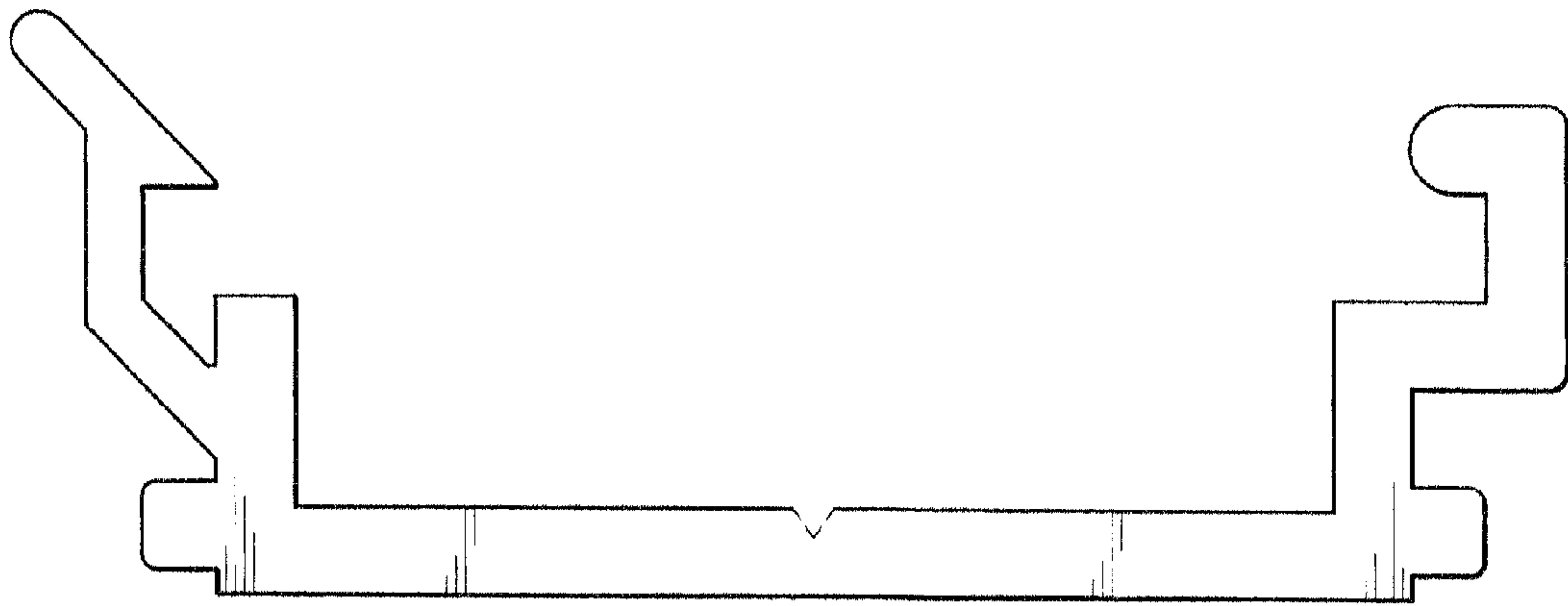


FIG. 2