



US00D662647S

(12) **United States Design Patent**
Nankil

(10) **Patent No.:** **US D662,647 S**
(45) **Date of Patent:** **** Jun. 26, 2012**

(54) **LIGHTING FIXTURE HAVING STRUTS**

(75) Inventor: **Robert R. Nankil**, Buena Park, CA (US)

(73) Assignee: **Hubbell Incorporated**, Shelton, CT (US)

(**) Term: **14 Years**

(21) Appl. No.: **29/401,710**

(22) Filed: **Sep. 14, 2011**

Related U.S. Application Data

(62) Division of application No. 29/347,584, filed on Mar. 8, 2010, now Pat. No. Des. 647,235.

(51) **LOC (9) Cl.** **26-03**

(52) **U.S. Cl.** **D26/87**

(58) **Field of Classification Search** D26/72,
D26/85-92; 362/147, 432

See application file for complete search history.

(56) **References Cited**

U.S. PATENT DOCUMENTS

999,813 A	8/1911	Losey	
1,019,246 A	3/1912	Godinez et al.	
1,082,753 A	12/1913	Losey	
1,473,380 A	11/1923	Peterson	
1,732,745 A	10/1929	Erskine	
D82,136 S *	9/1930	Chapman	D26/87
D85,931 S *	1/1932	Graff	D26/87
D100,556 S	7/1936	Gosling	
D125,314 S	2/1941	Proulx	
D138,831 S *	9/1944	McCann	D26/87
D152,994 S *	3/1949	McCann	D26/87
D154,302 S	6/1949	Palmquist	
2,523,818 A	9/1950	Cortes	
D160,899 S *	11/1950	Stevens	D26/87
2,793,285 A	5/1957	Brainerd	
D185,974 S	8/1959	Rambusch et al.	

D194,624 S 2/1963 Pettengill
D199,266 S 9/1964 Izzi
D199,409 S 10/1964 Van Steenhoven
(Continued)

FOREIGN PATENT DOCUMENTS

GB 2025424 9/1992
(Continued)

OTHER PUBLICATIONS

Architectural Area Lighting, Venere Series Catalog, Jan. 2007, pp. 1-20, US.

Primary Examiner — Clare E Heflin

(74) *Attorney, Agent, or Firm* — Garrett V. Davis; Mark S. Bicks; Alfred N. Goodman

(57) **CLAIM**

The ornamental design for a lighting fixture having struts, as shown and described.

DESCRIPTION

FIG. 1 is a top plan view of a lighting fixture having struts according to an embodiment of the invention;

FIG. 2 is a top perspective view of the lighting fixture illustrated in FIG. 1;

FIG. 3 is a front elevational view of the lighting fixture illustrated in FIGS. 1 and 2;

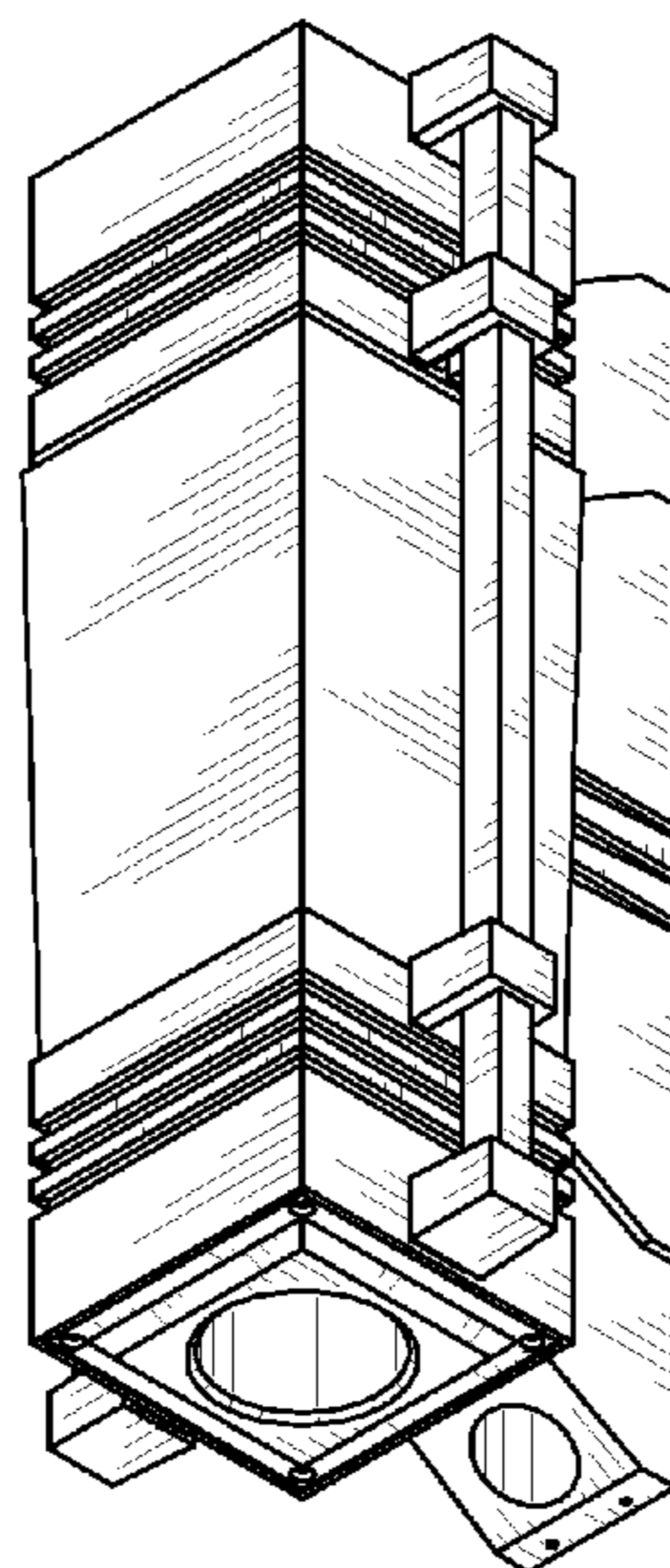
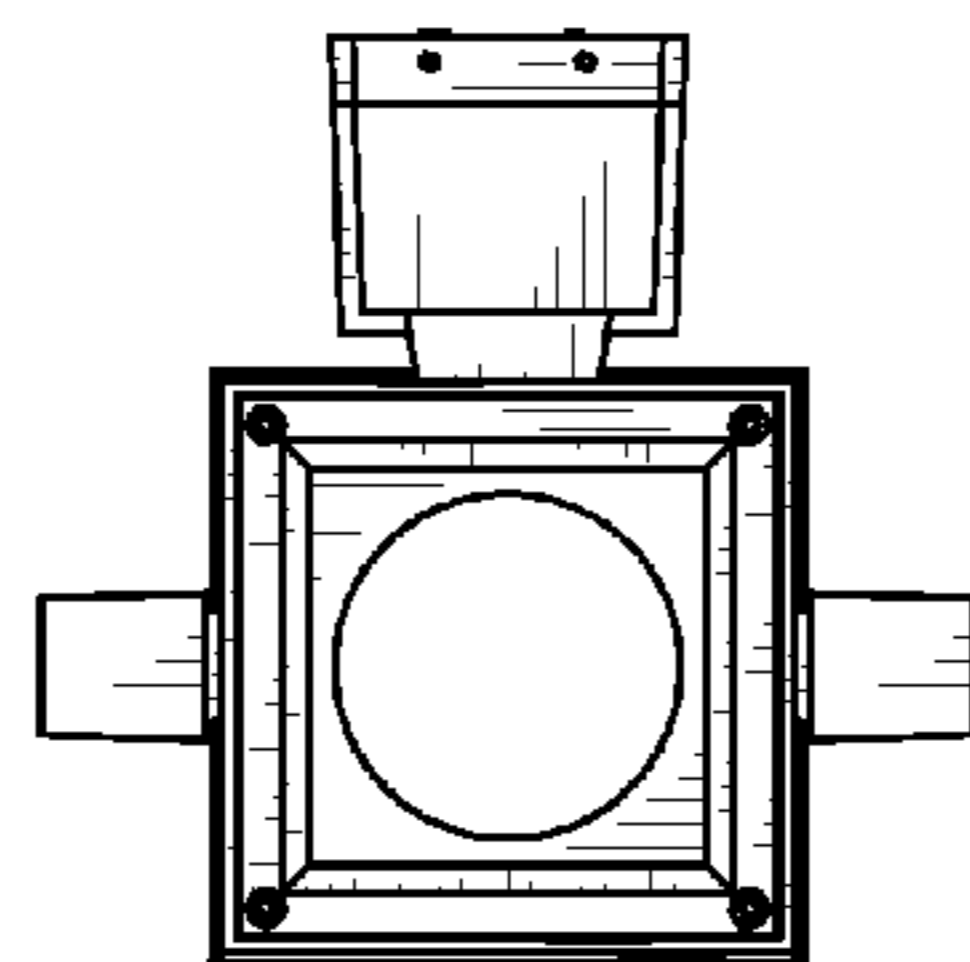
FIG. 4 is a right side elevational view of the lighting fixture illustrated in FIGS. 1-3, the left side being the mirror image thereof;

FIG. 5 is a back elevational view of the lighting fixture illustrated in FIGS. 1-4;

FIG. 6 is a bottom plan view of the lighting fixture illustrated in FIGS. 1-5; and,

FIG. 7 is a bottom perspective view of the lighting fixture illustrated in FIGS. 1-6.

1 Claim, 3 Drawing Sheets



US D662,647 S

Page 2

U.S. PATENT DOCUMENTS

3,194,952 A 7/1965 Wells
D208,659 S * 9/1967 Koziol D26/87
D211,277 S 6/1968 Layton
D219,022 S 10/1970 Yamazaki
3,833,804 A 9/1974 Vesely
D235,677 S 7/1975 Goldberg
D235,914 S * 7/1975 Schacht D26/84
D239,460 S * 4/1976 Schacht D26/84
4,069,415 A 1/1978 Dacal
D298,861 S 12/1988 Ewing et al.
4,858,088 A 8/1989 Agabekov
4,951,184 A 8/1990 Makurof
D338,977 S 8/1993 Ewing et al.
5,384,694 A 1/1995 Yang
5,430,631 A 7/1995 Dick
D383,238 S * 9/1997 Chen D26/87
D403,097 S * 12/1998 Littman D26/87
D411,030 S * 6/1999 Chen D26/87
D427,349 S 6/2000 Landefeld
D427,350 S 6/2000 Landefeld
D427,351 S 6/2000 Landefeld
D427,705 S 7/2000 Landefeld
D444,584 S 7/2001 Landefeld
D453,388 S 2/2002 Leen
D465,296 S 11/2002 DiPasquale
6,494,599 B1 12/2002 Leen
D473,333 S 4/2003 Willmorth
D506,281 S 6/2005 Randazzo et al.
D518,221 S 3/2006 Randazzo et al.

7,066,613 B2 6/2006 Vishwamitra
D524,475 S 7/2006 Randazzo et al.
D535,427 S * 1/2007 Chandler D26/87
D537,556 S 2/2007 Summerford et al.
D553,286 S 10/2007 Chung et al.
D563,584 S 3/2008 Lee et al.
7,387,409 B1 6/2008 Beadle
D580,581 S 11/2008 Grant
D583,494 S 12/2008 Friedman et al.
7,473,016 B2 1/2009 Flaherty et al.
D586,493 S * 2/2009 Parres D26/87
D589,194 S 3/2009 Sabernig
D597,696 S 8/2009 Sabernig
D601,291 S 9/2009 Nankil
D629,949 S 12/2010 Ho
2003/0202340 A1 10/2003 Wu
2006/0274537 A1 12/2006 Randazzo

FOREIGN PATENT DOCUMENTS

GB 2044993 2/1995
GB 2046752 4/1995
GB 2057479 7/1996
GB 2088112 11/1999
GB 3005118 7/2002
GB 3009606 12/2002
GB 3010811 2/2003
GB 3010812 2/2003
GB 3010813 2/2003
GB 4005870 1/2008

* cited by examiner

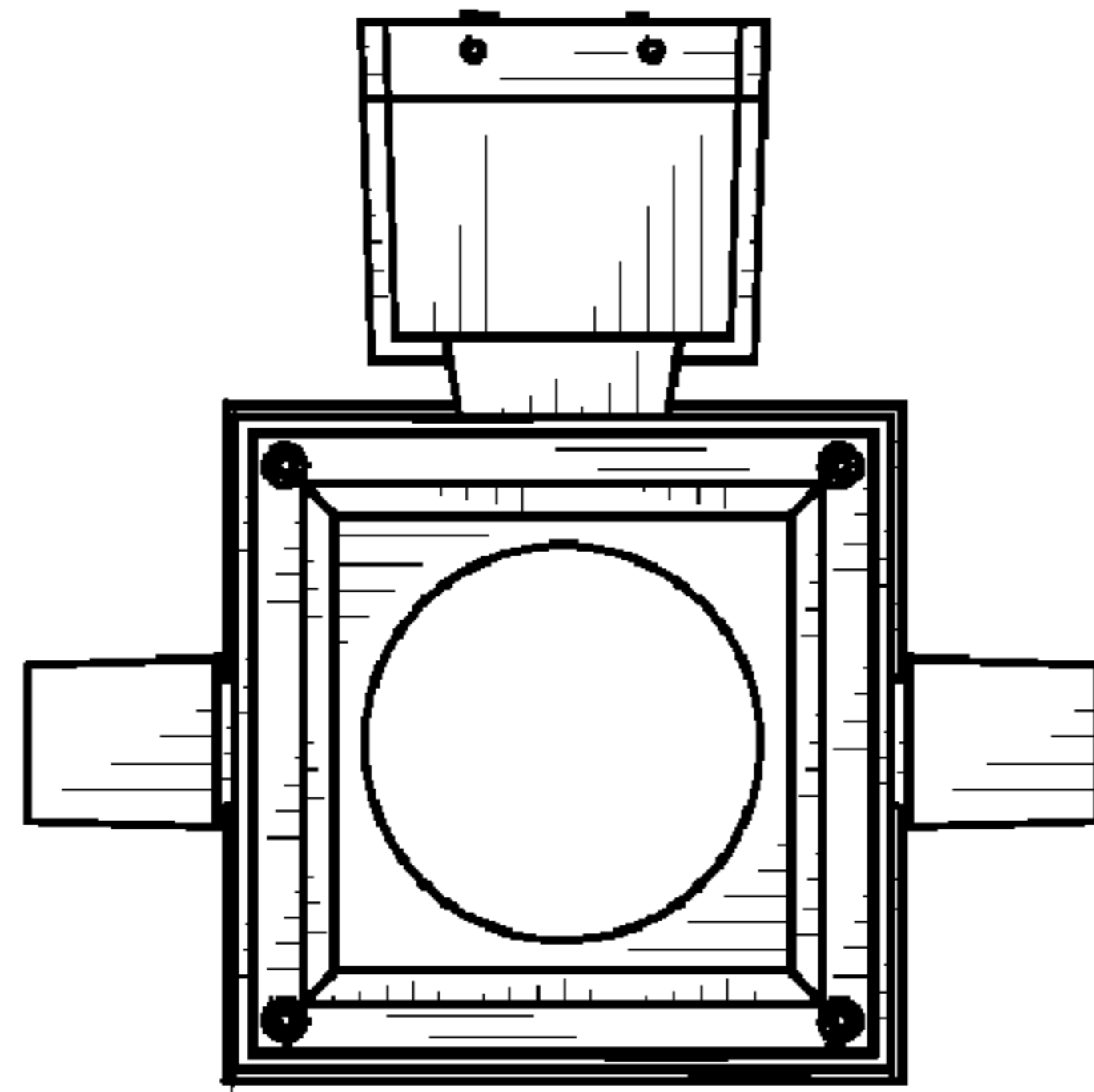


FIG. 1

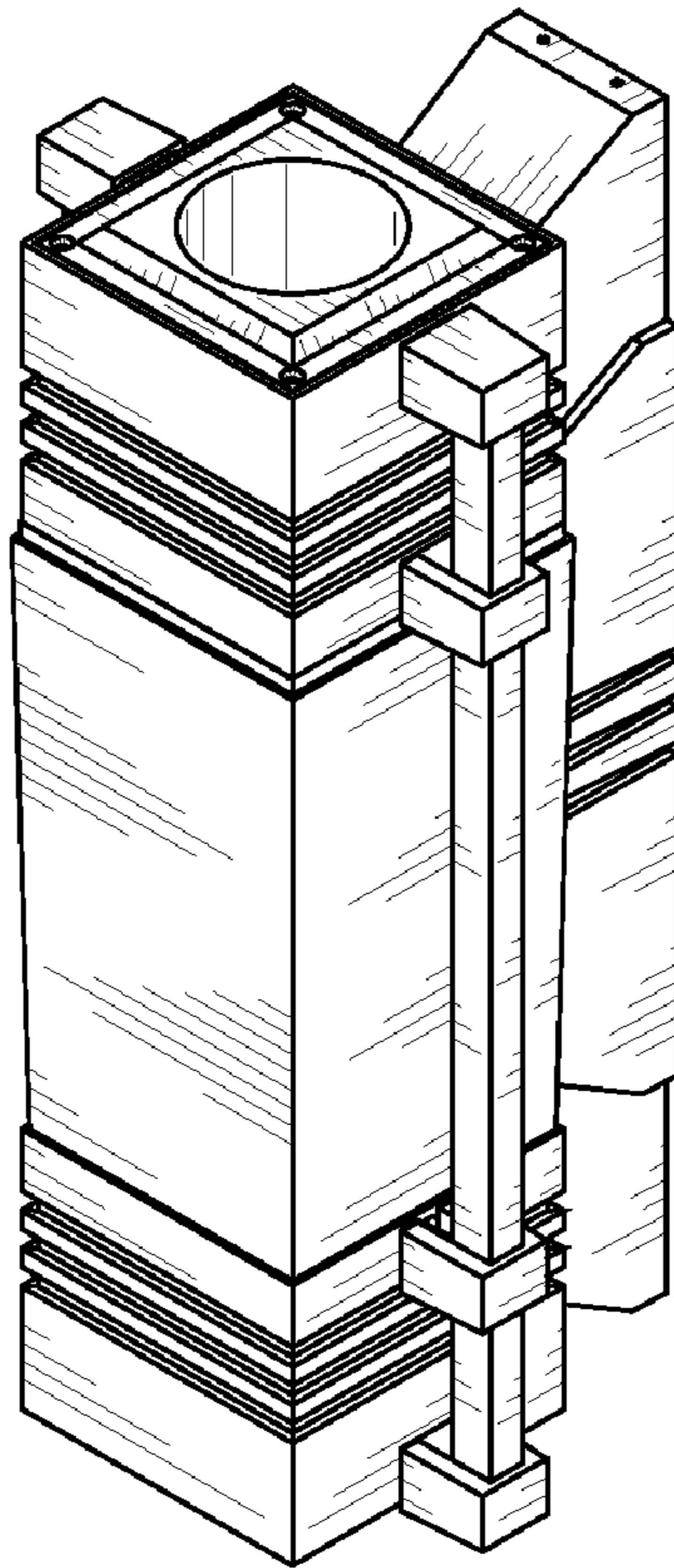


FIG. 2

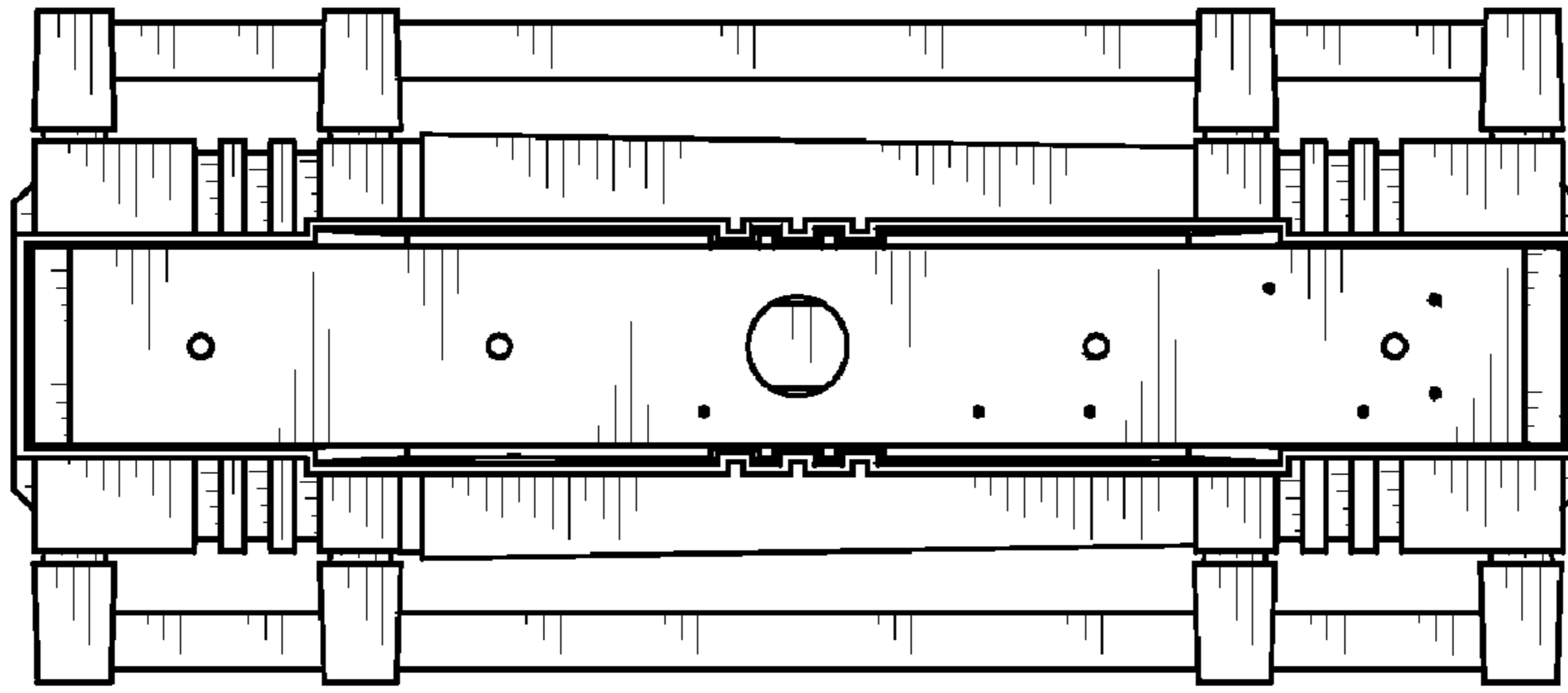


FIG. 5

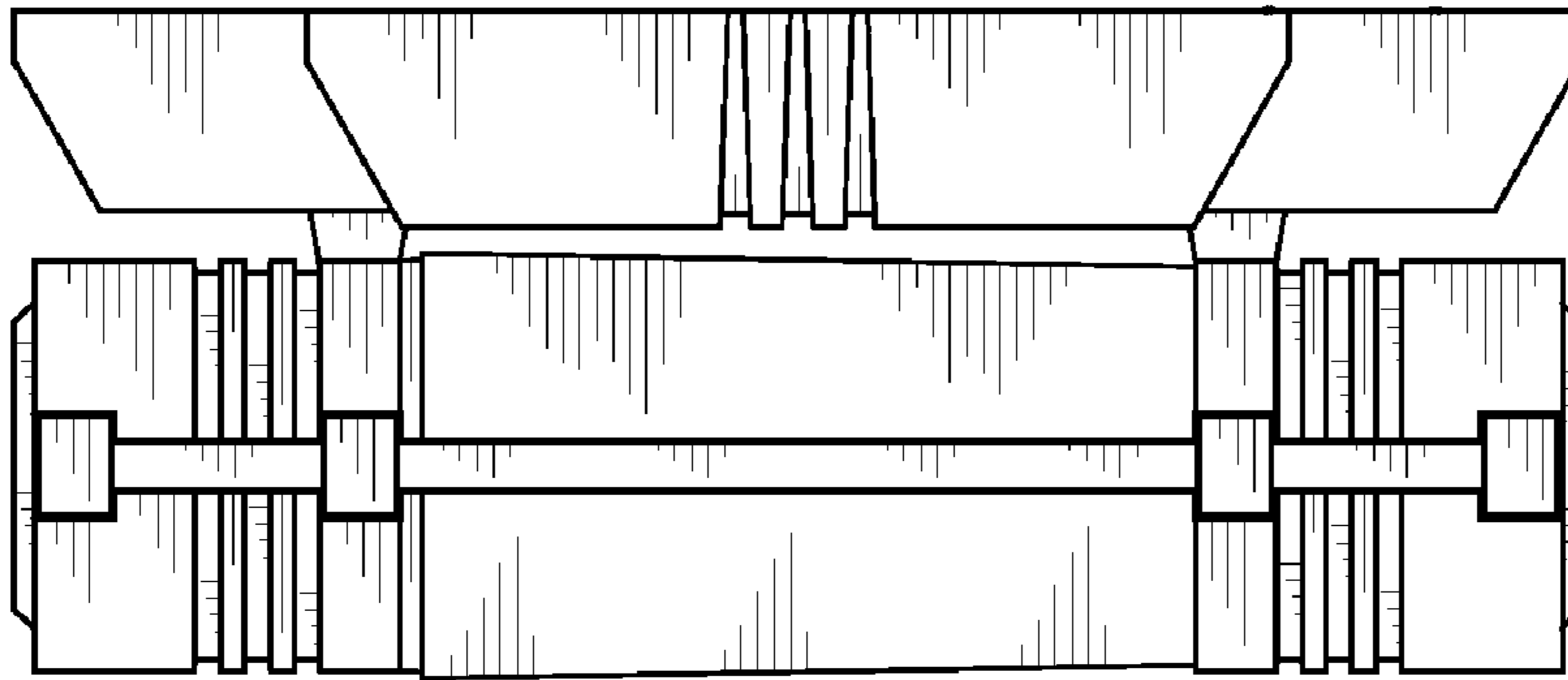


FIG. 4

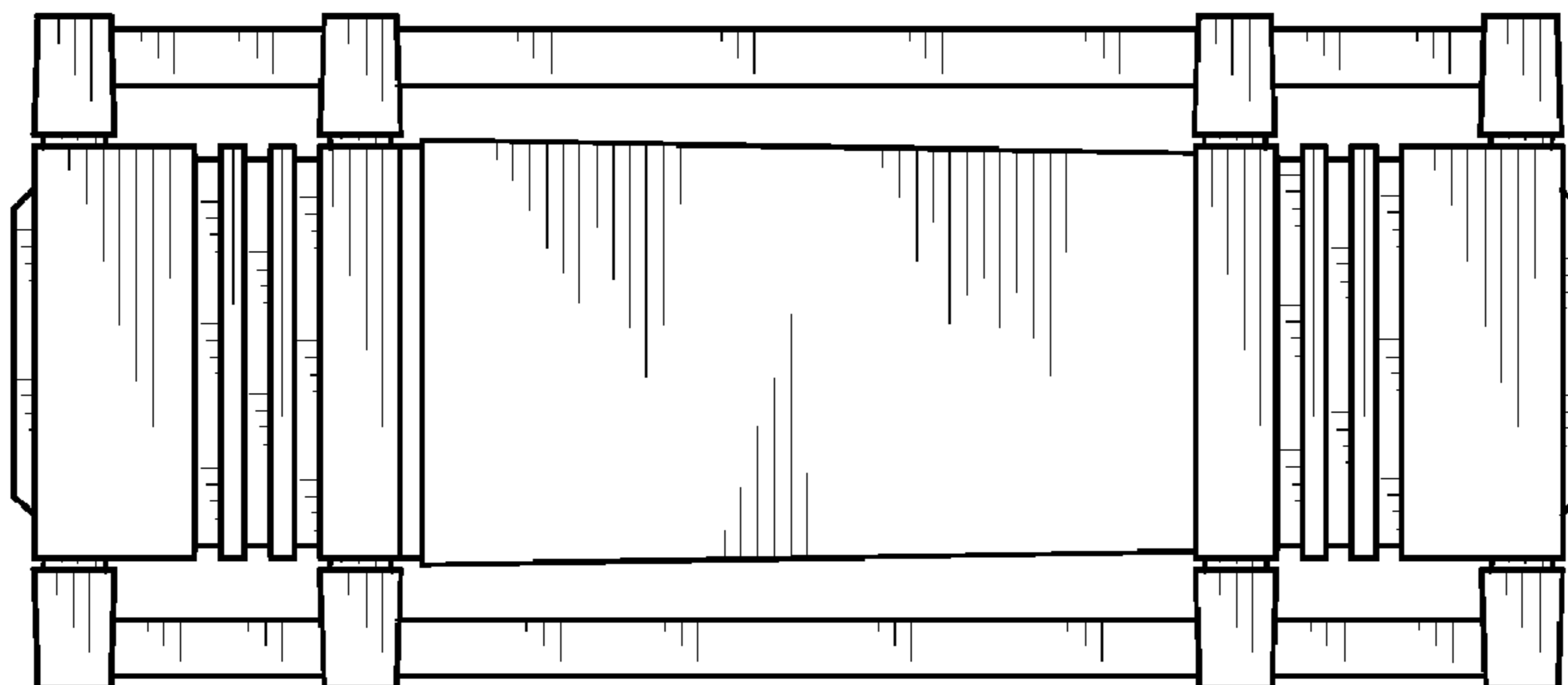


FIG. 3

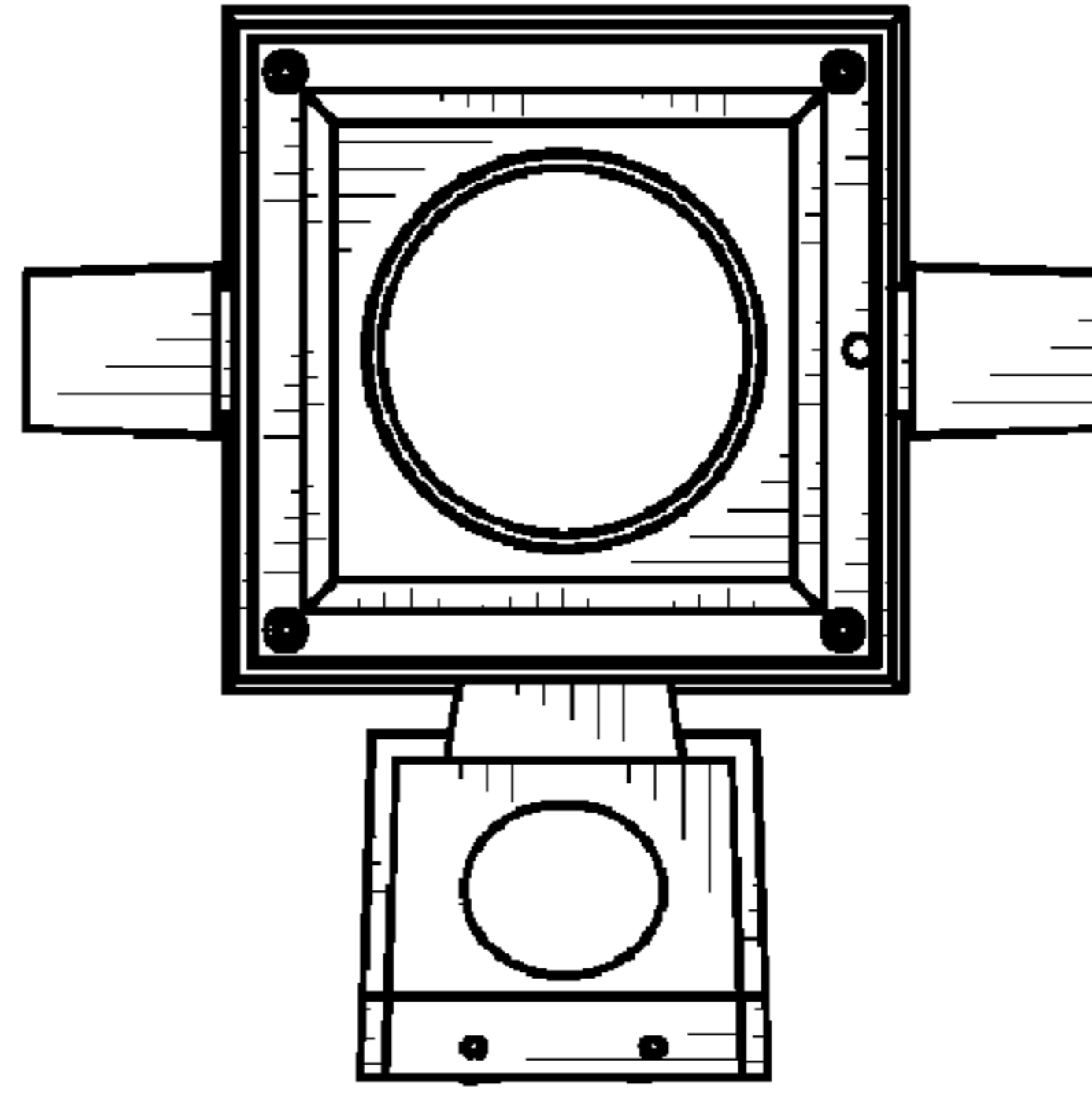


FIG. 6

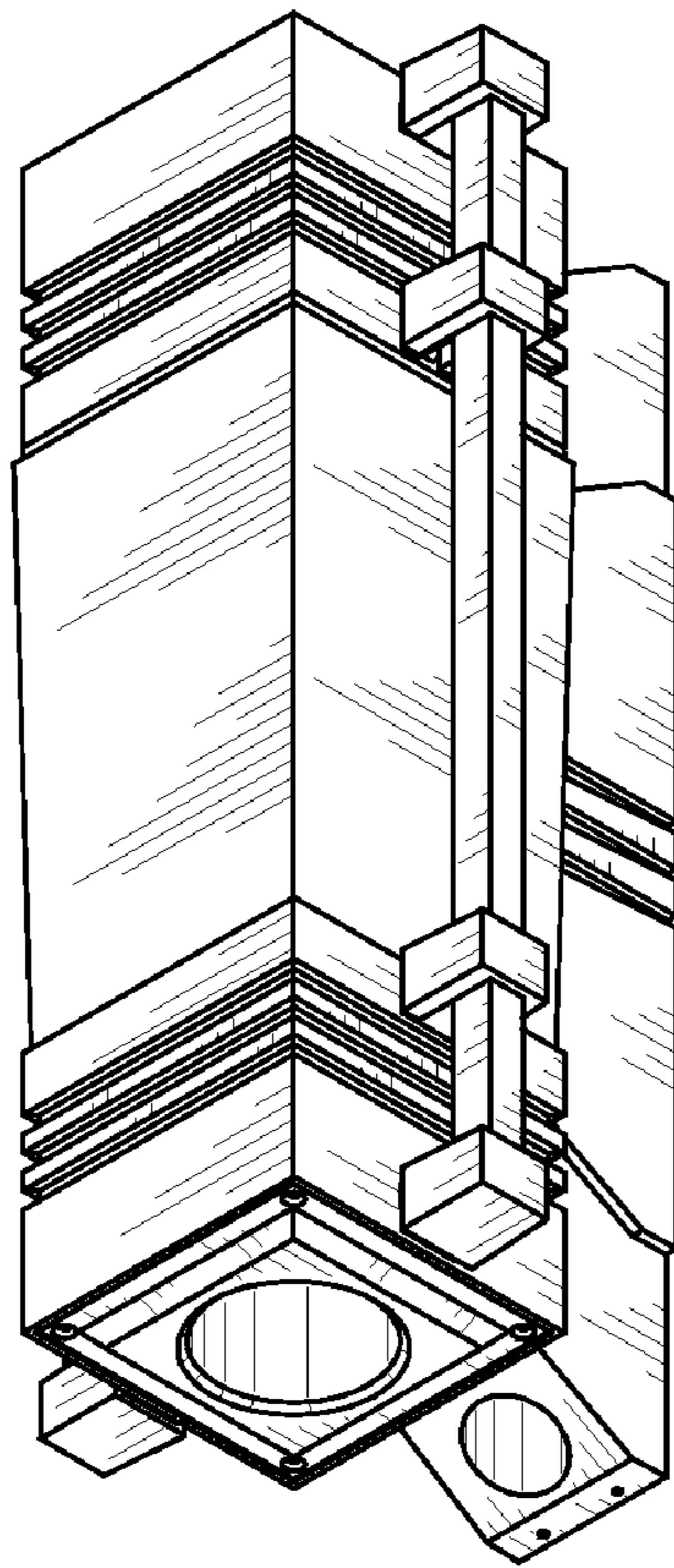


FIG. 7