



US00D662645S

(12) **United States Design Patent**
Morgan

(10) **Patent No.:** **US D662,645 S**

(45) **Date of Patent:** **** Jun. 26, 2012**

(54) **LUMINAIRE**

(75) Inventor: **David Morgan**, London (GB)

(73) Assignee: **Beta-Calco Inc.**, Ontario (CA)

(**) Term: **14 Years**

(21) Appl. No.: **29/401,023**

(22) Filed: **Sep. 6, 2011**

(51) **LOC (9) Cl.** **26-03**

(52) **U.S. Cl.** **D26/84; D26/90**

(58) **Field of Classification Search** D26/80-82,
D26/84, 86, 88, 90, 92, 128, 135, 136, 146,
D26/147; 362/147, 404-408

See application file for complete search history.

(56) **References Cited**

U.S. PATENT DOCUMENTS

D86,420 S *	3/1932	Sutter	D26/88
D134,355 S *	11/1942	Rolph	D26/88
D242,943 S *	1/1977	Lazerson	D26/88
D328,955 S *	8/1992	Sheradsky	D26/88
D370,545 S *	6/1996	Porter	D26/88
D469,562 S *	1/2003	Crasset	D26/90
D566,320 S *	4/2008	Kim	D26/88
D574,546 S *	8/2008	Morrison	D26/88

D593,704 S *	6/2009	Lovegrove	D26/90
D602,191 S *	10/2009	Chang et al.	D26/84
D602,192 S *	10/2009	Tunze	D26/88
D627,502 S *	11/2010	Zheng et al.	D26/72
D635,292 S *	3/2011	Chiang et al.	D26/88

* cited by examiner

Primary Examiner — Clare E Heflin

(74) *Attorney, Agent, or Firm* — Renner, Otto, Boisselle & Sklar, LLP

(57) **CLAIM**

The ornamental design for a luminaire, as shown and described.

DESCRIPTION

FIG. 1 is a perspective view of the luminaire according to my new design;

FIG. 2 is a bottom view of the luminaire shown in FIG. 1;

FIG. 3 is a side view of the luminaire shown in FIG. 1;

FIG. 4 is a top view of the luminaire shown in FIG. 1;

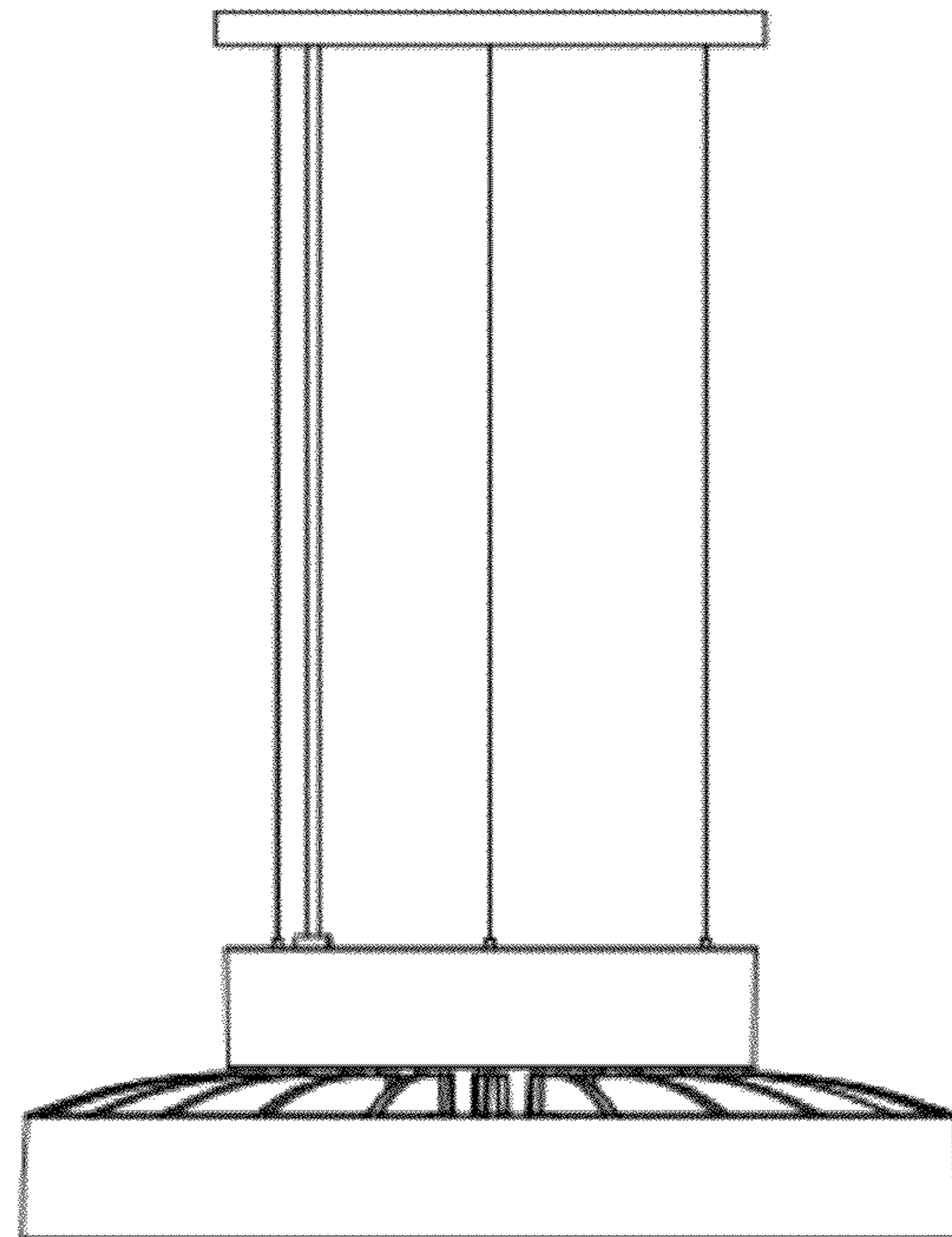
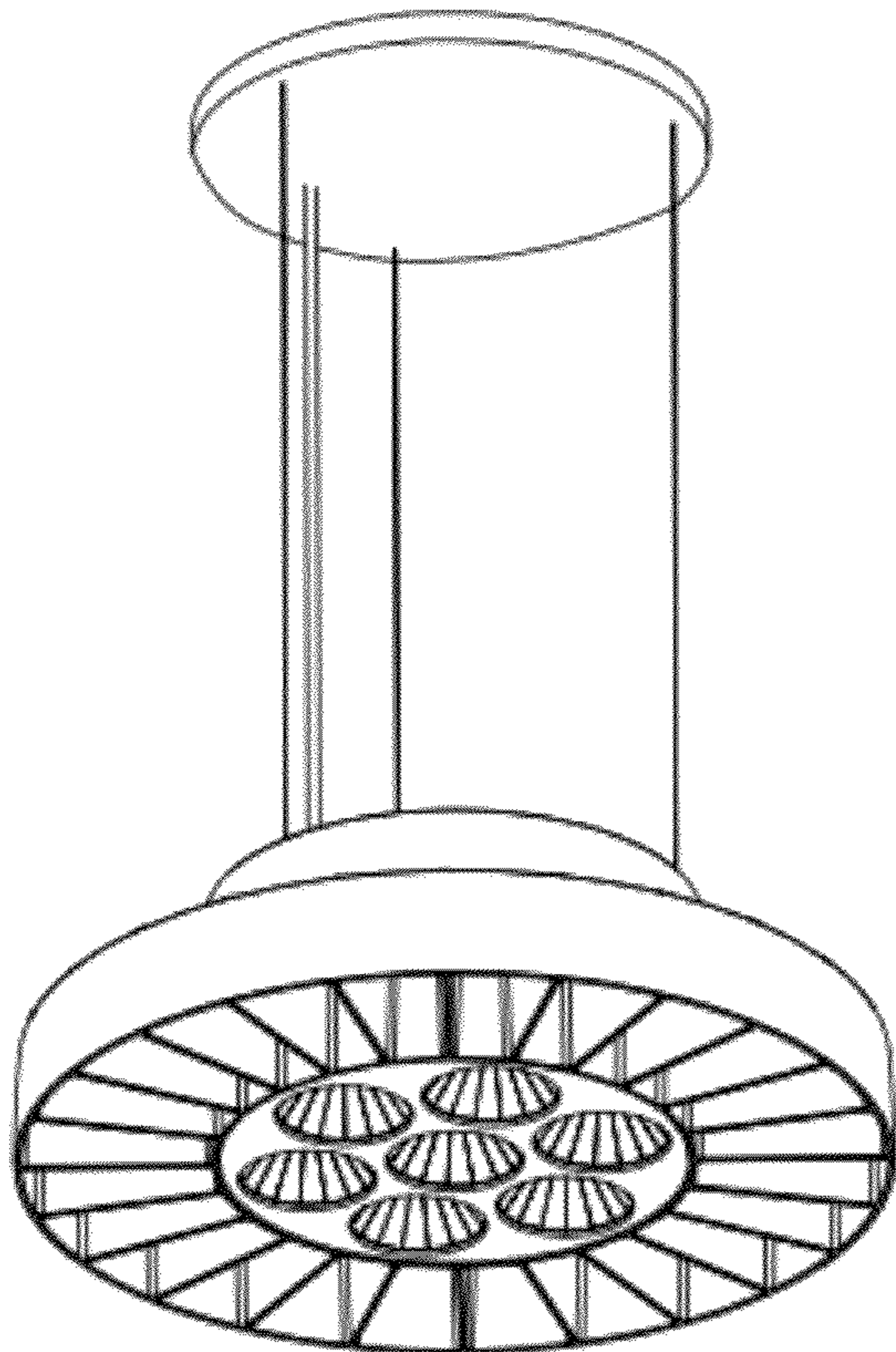
FIG. 5 is a perspective view of the luminaire showing a variant of my new design;

FIG. 6 is a bottom view of the luminaire shown in FIG. 5;

FIG. 7 is a side view of the luminaire shown in FIG. 5; and,

FIG. 8 is a top view of the luminaire shown in FIG. 5.

1 Claim, 2 Drawing Sheets



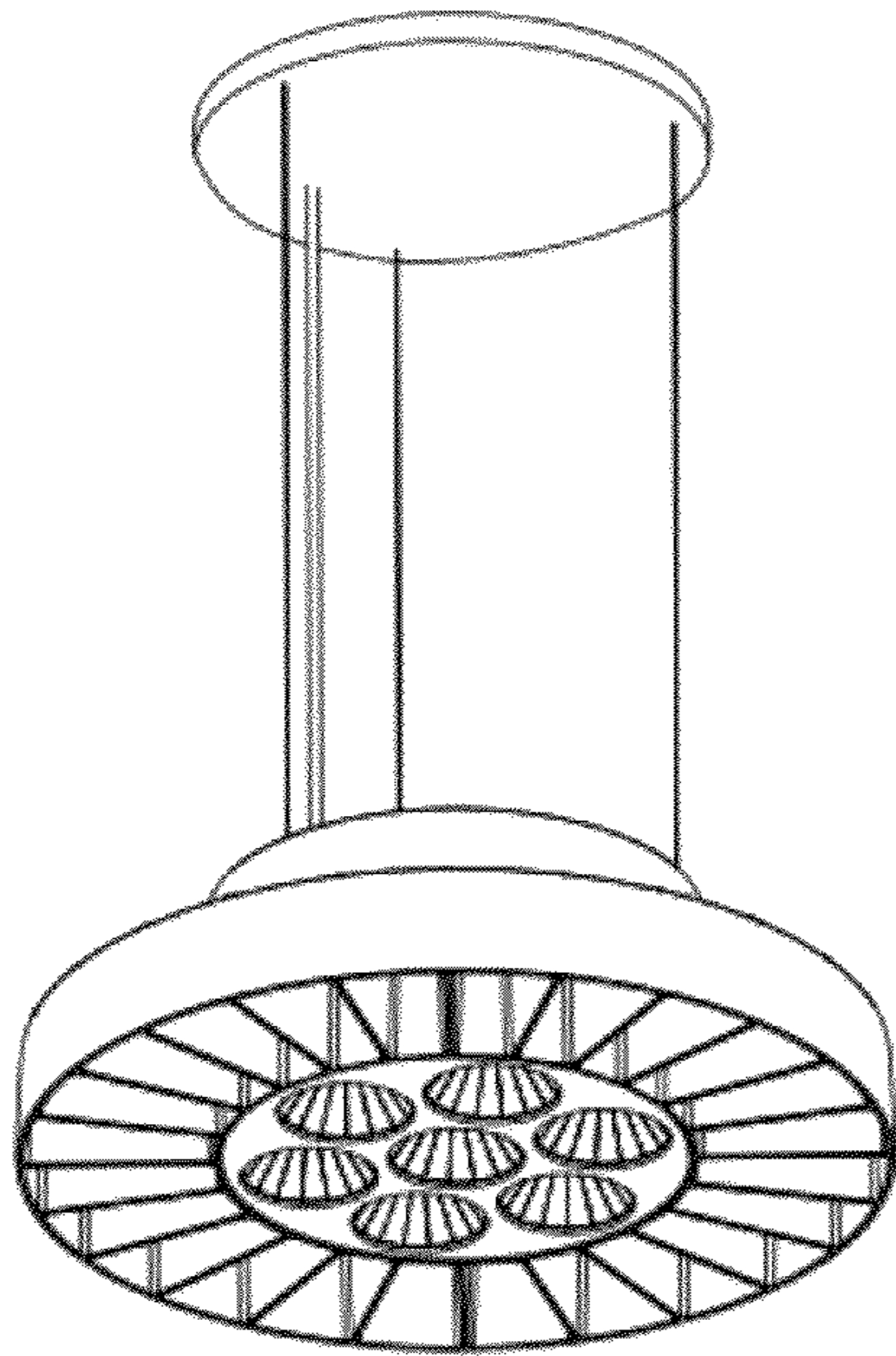


FIG. 1

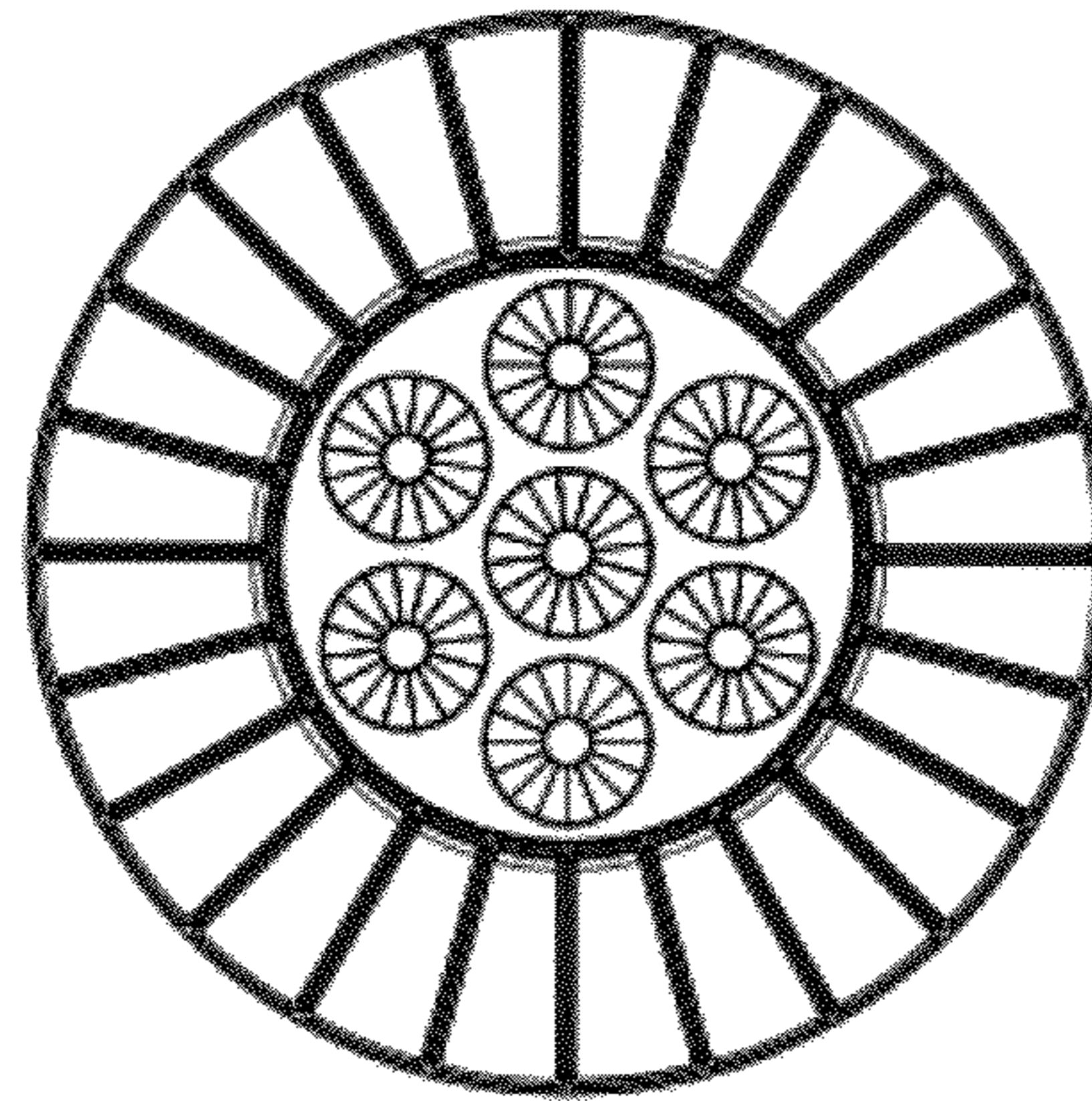


FIG. 2

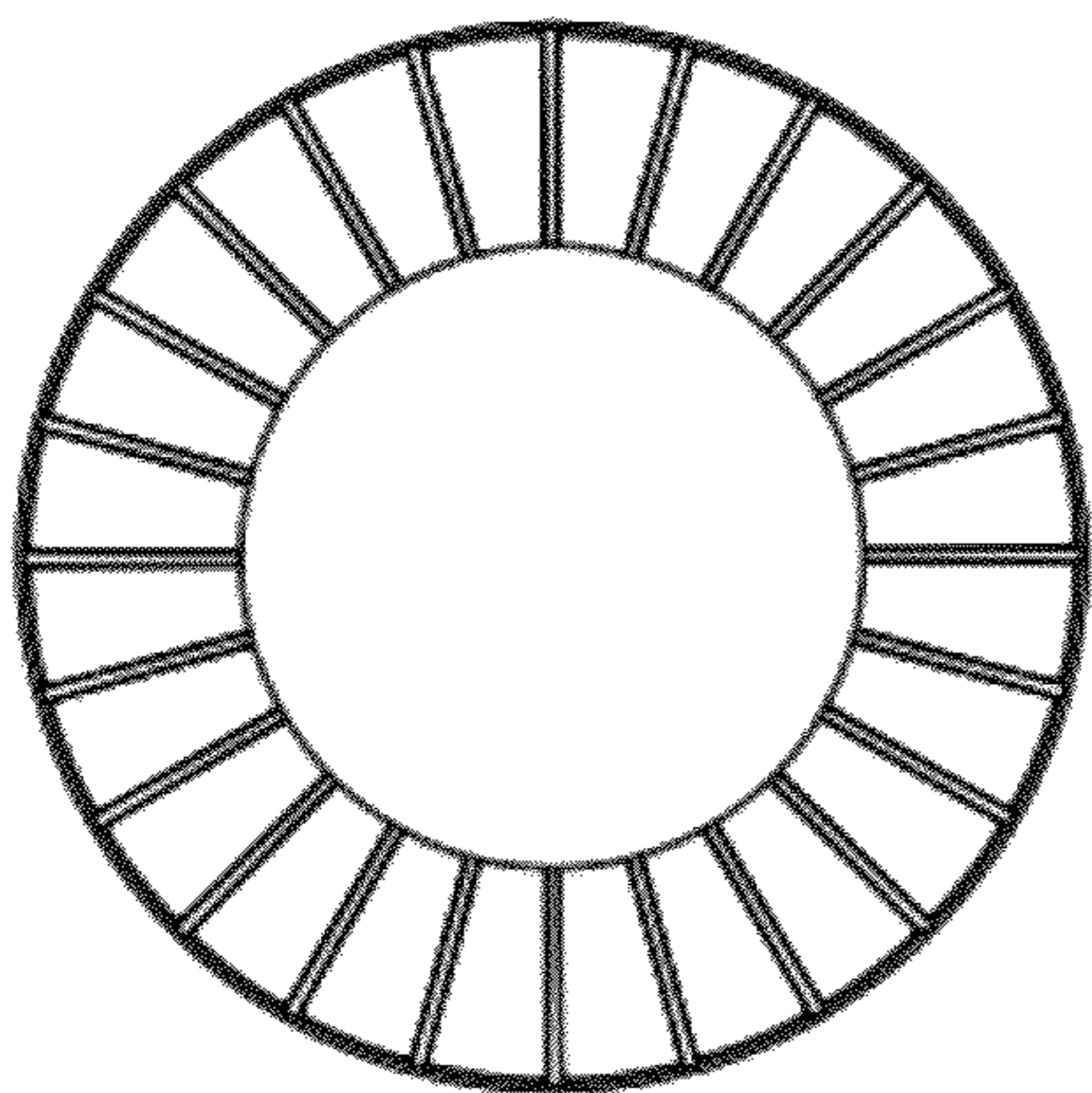


FIG. 4

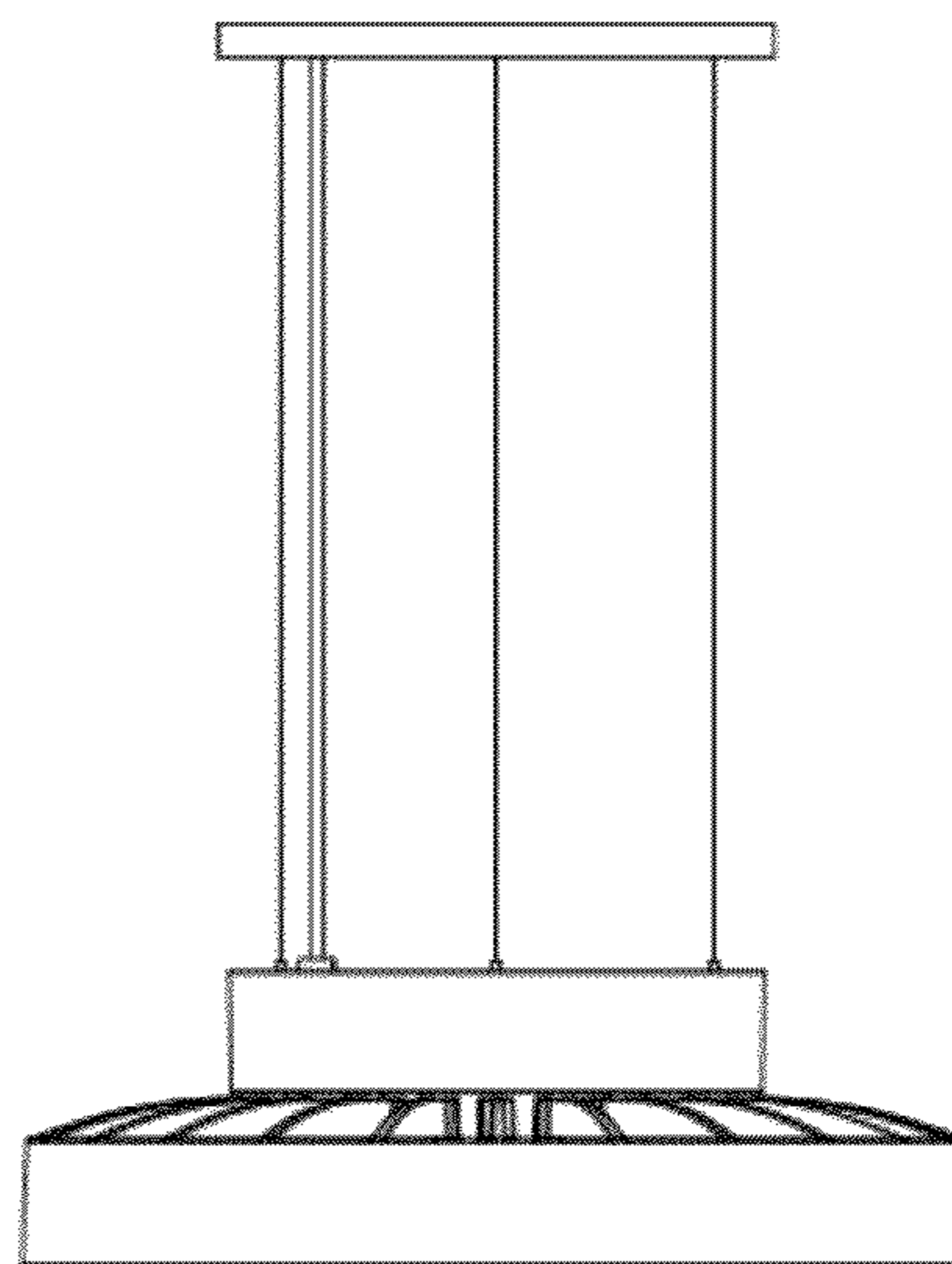


FIG. 3

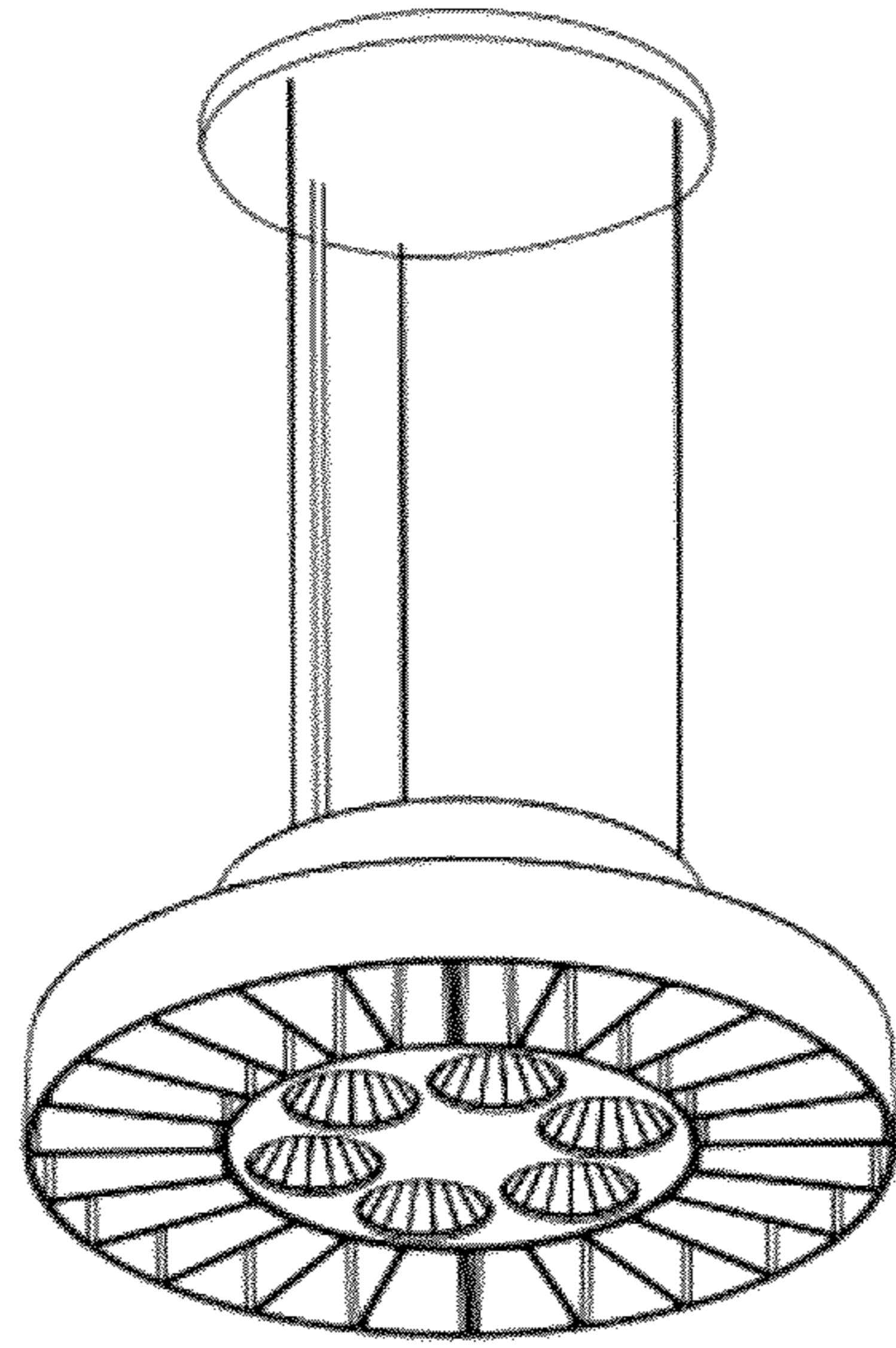


FIG. 5

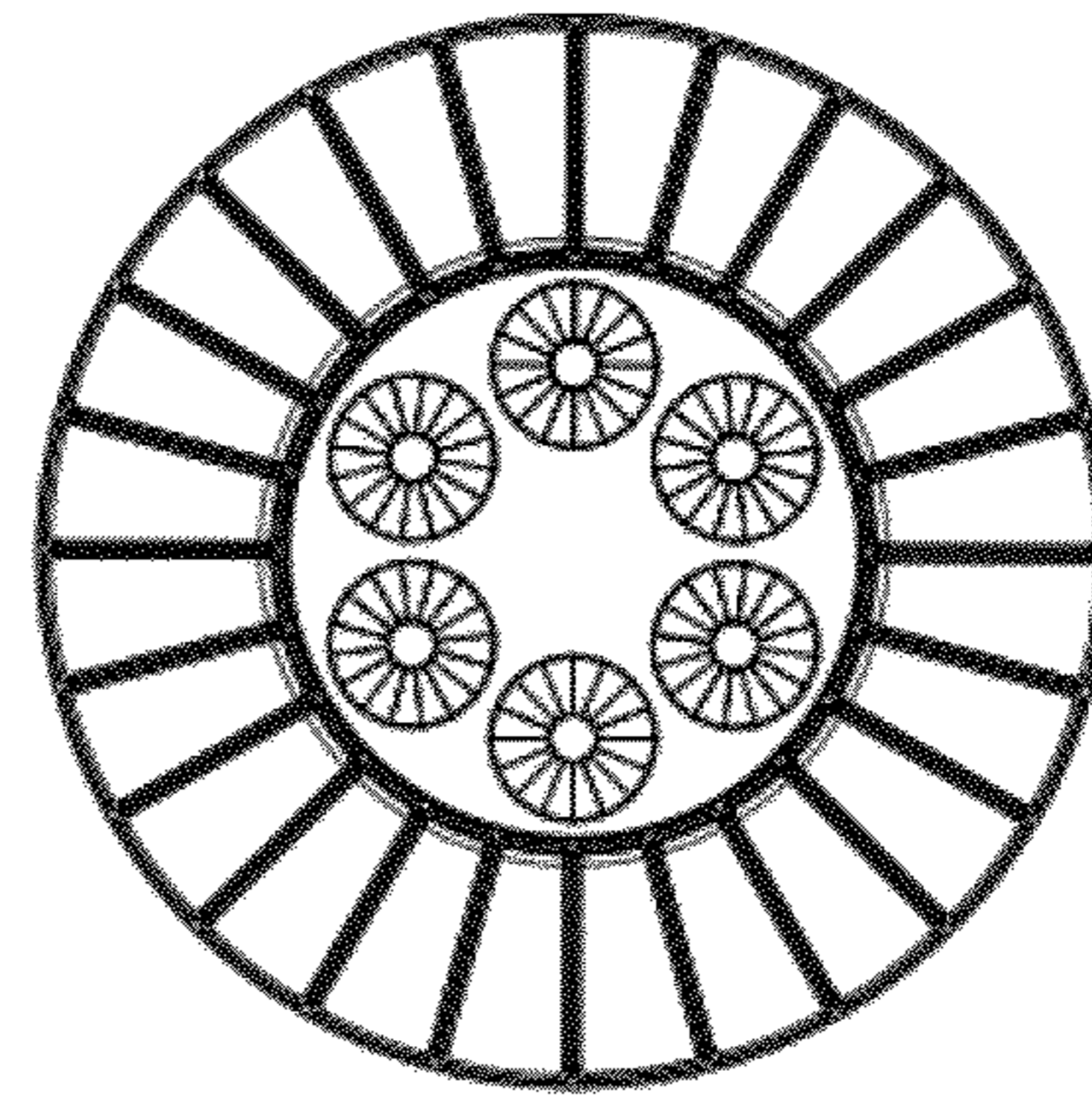


FIG. 6

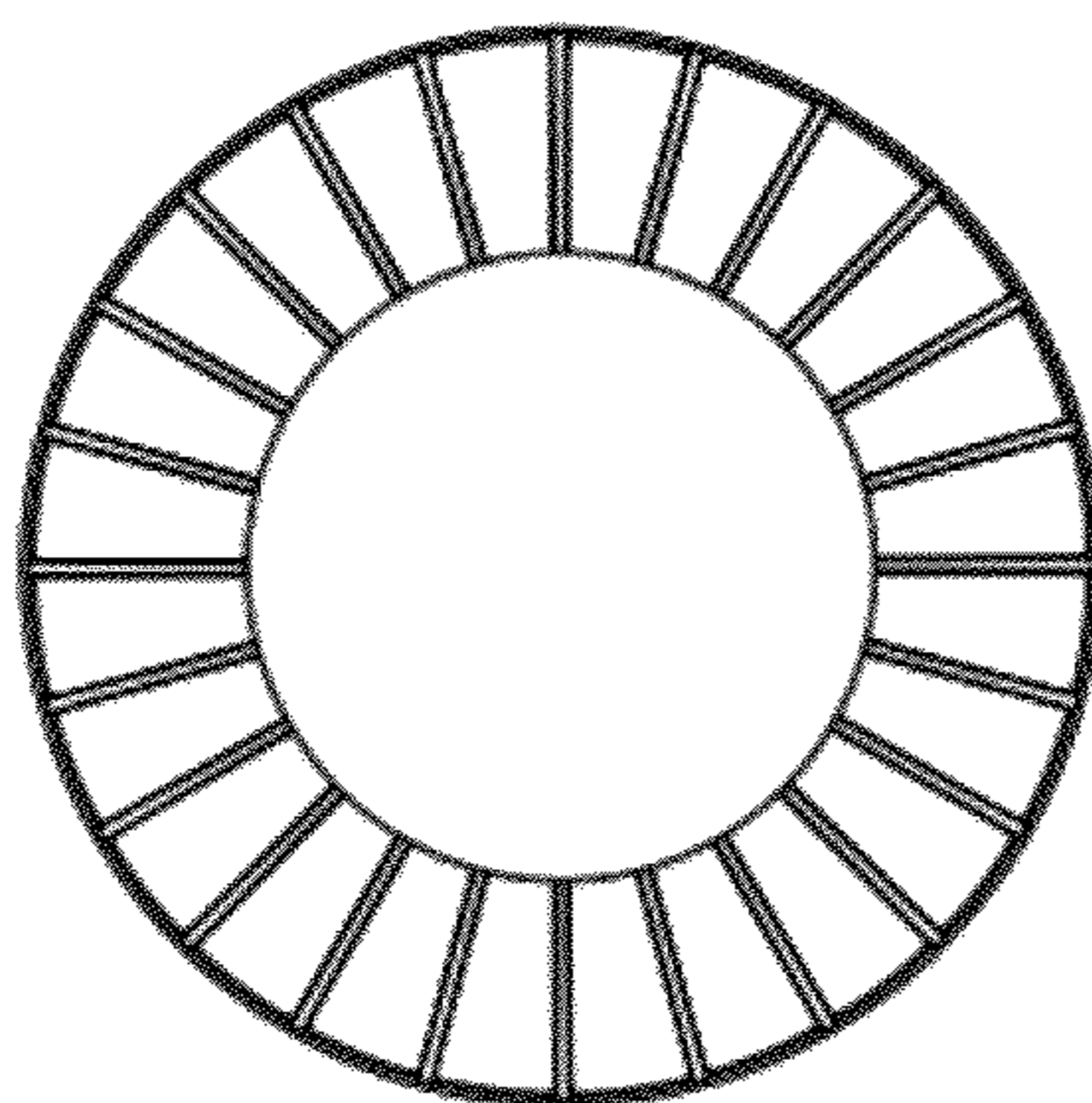


FIG. 8

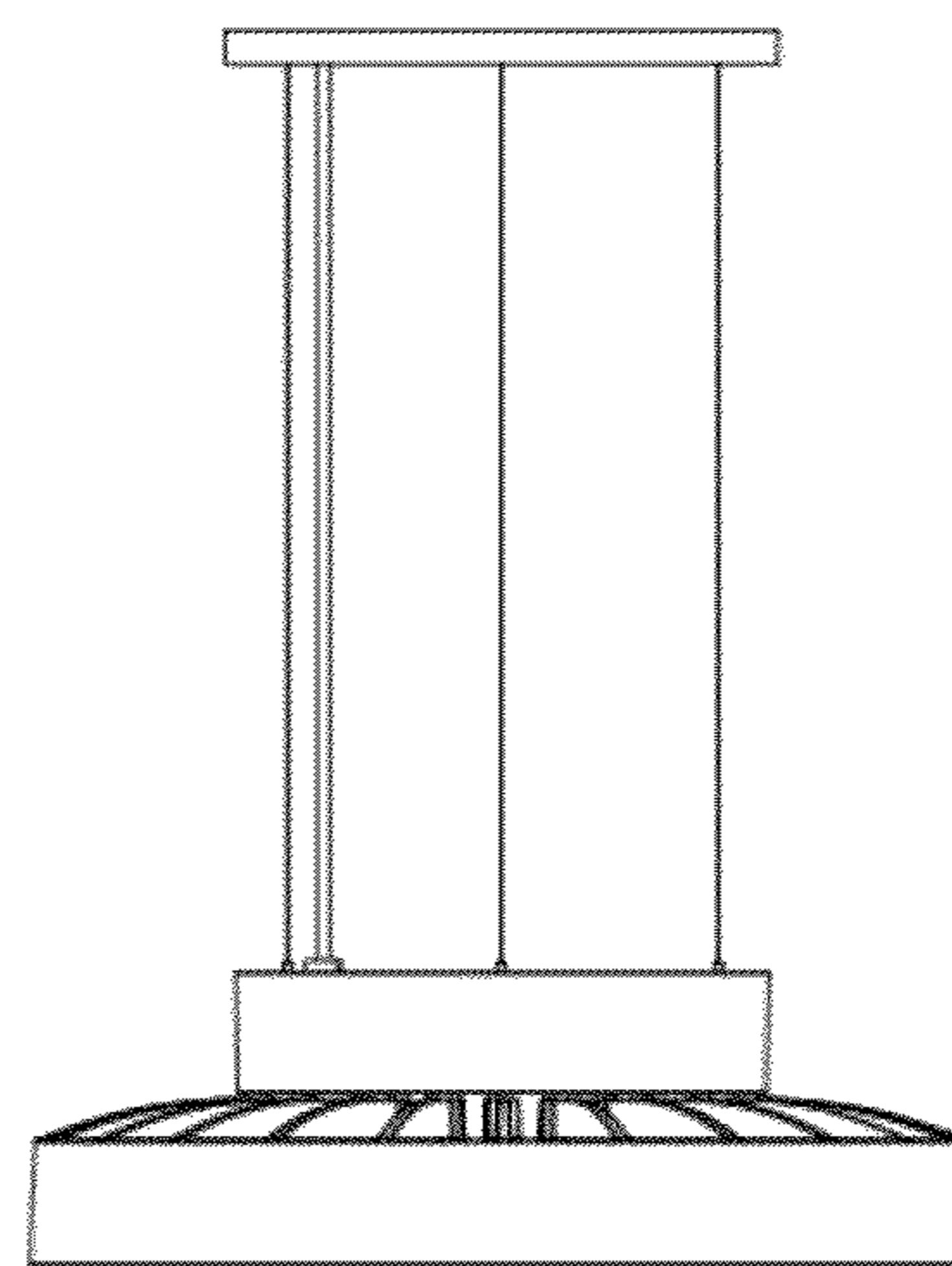


FIG. 7