



US00D662644S

(12) **United States Design Patent**
Wauters

(10) **Patent No.:** **US D662,644 S**
(45) **Date of Patent:** **** Jun. 26, 2012**

(54) **LUMINAIRE**

(75) Inventor: **Tom Wauters**, Mortsel (BE)

(73) Assignee: **Koninklijke Philips Electronics N.V.**,
Eindhoven (NL)

(**) Term: **14 Years**

(21) Appl. No.: **29/392,076**

(22) Filed: **May 17, 2011**

(30) **Foreign Application Priority Data**

Nov. 18, 2010 (EM) 001783192-0005

(51) **LOC (9) Cl.** **26-03**

(52) **U.S. Cl.** **D26/83**

(58) **Field of Classification Search** D26/61,
D26/63, 76, 80, 81, 83-89; 362/147, 404-408,
362/488, 490, 515

See application file for complete search history.

(56) **References Cited**

U.S. PATENT DOCUMENTS

D67,635 S * 6/1925 Walton D26/83
D92,658 S * 7/1934 Kaynor D26/83

D140,107 S *	1/1945	Lippincott	D26/76
D346,459 S *	4/1994	King	D26/84
D359,374 S *	6/1995	Weinstock	D26/80
D397,486 S *	8/1998	Engle et al.	D26/87
7,220,029 B2 *	5/2007	Bynum et al.	362/490
7,311,426 B2 *	12/2007	Tiesler et al.	362/488
D639,994 S *	6/2011	Wauters	D26/83
D642,726 S *	8/2011	Khubani	D26/80
D644,372 S *	8/2011	Verelst	D26/87
D646,416 S *	10/2011	Wauters	D26/63
D646,417 S *	10/2011	Wauters	D26/63

* cited by examiner

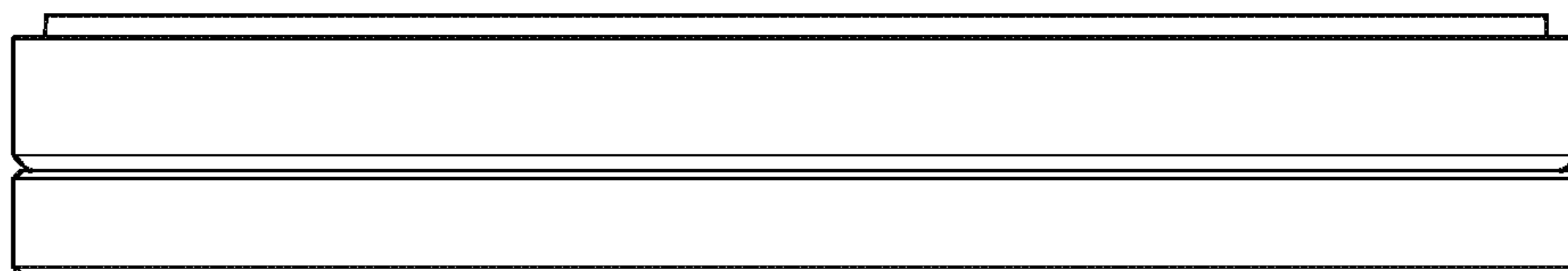
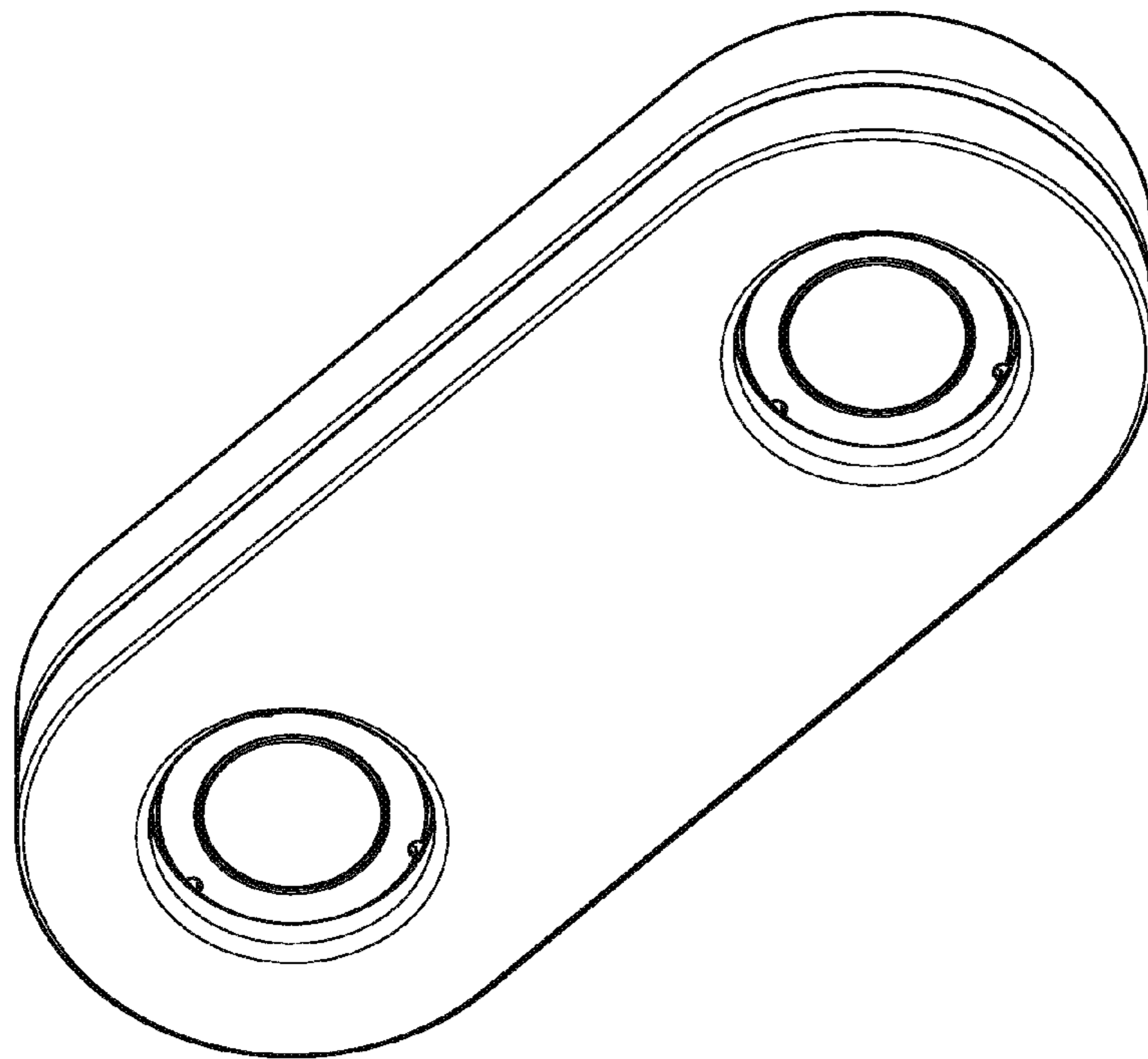
Primary Examiner — Clare E Heflin

(57) **CLAIM**
The ornamental design for a luminaire, as shown.

DESCRIPTION

FIG. 1 is a perspective view showing my design;
FIG. 2 is a front elevational view thereof;
FIG. 3 is a rear elevational view thereof;
FIG. 4 is a right side elevational view thereof;
FIG. 5 is a left side elevational view thereof;
FIG. 6 is a top plan view thereof; and,
FIG. 7 is a bottom plan view thereof.

1 Claim, 3 Drawing Sheets



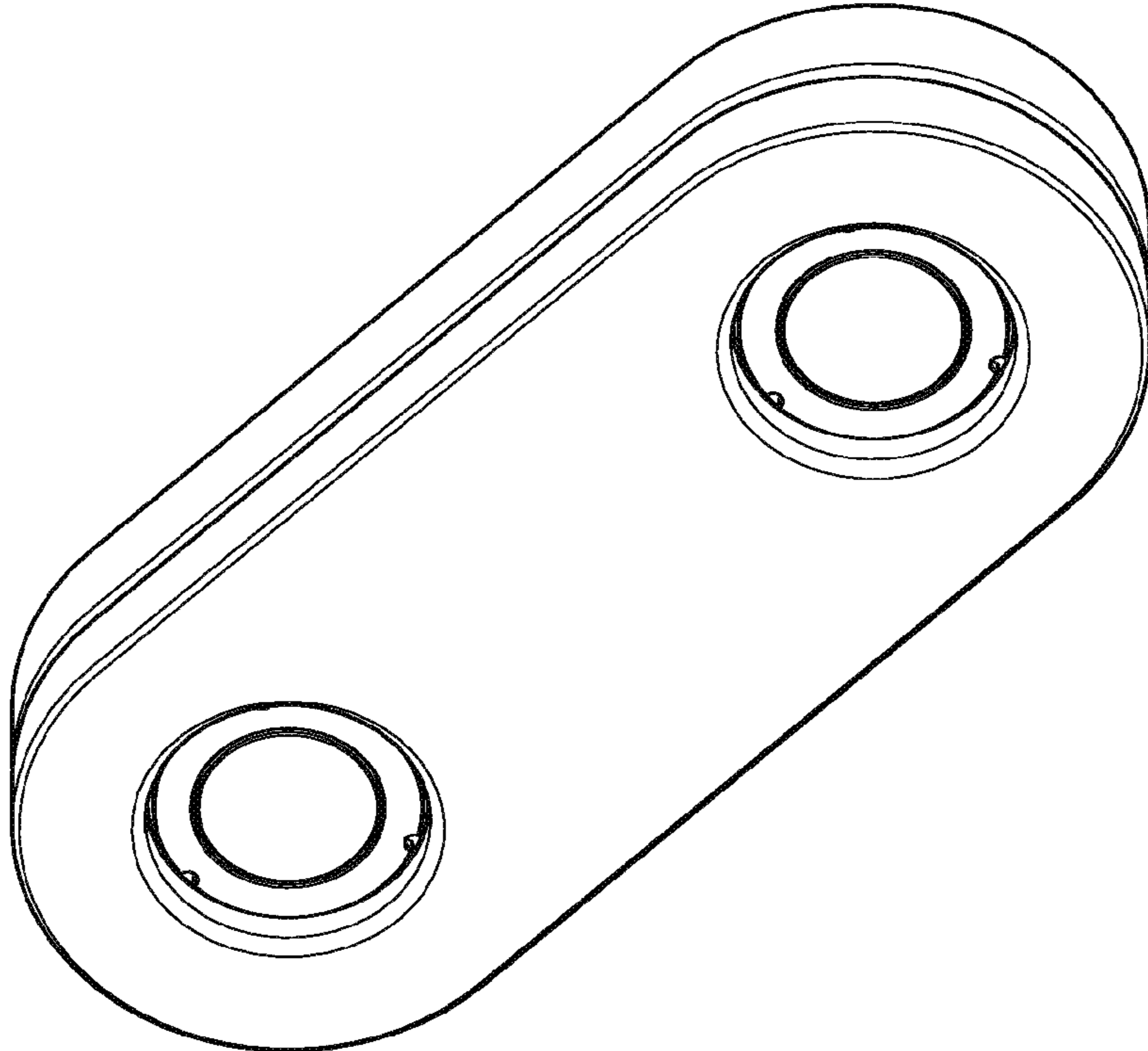


FIG. 1

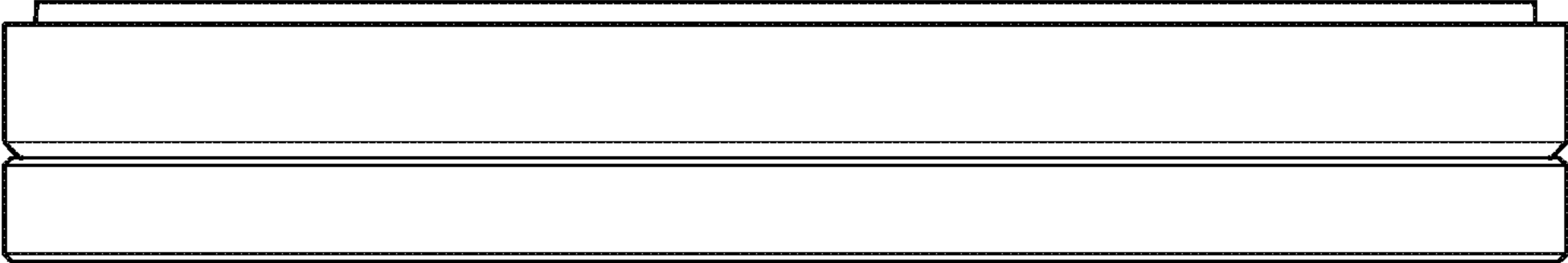


FIG. 2

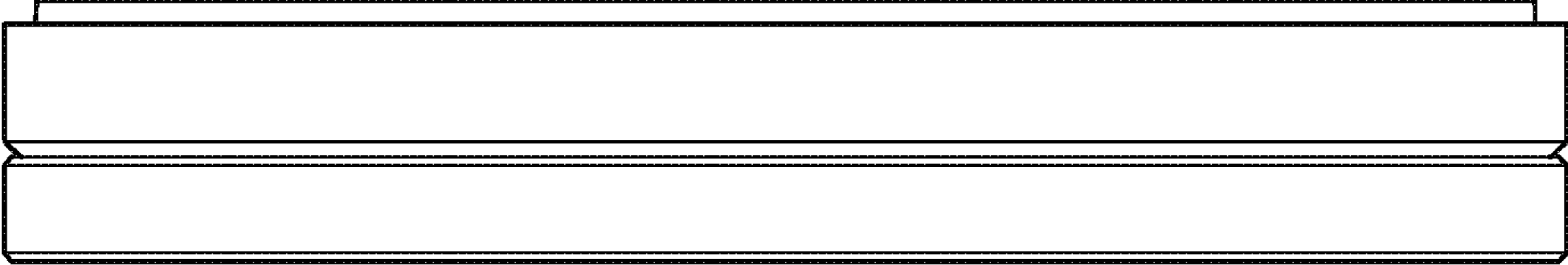


FIG. 3

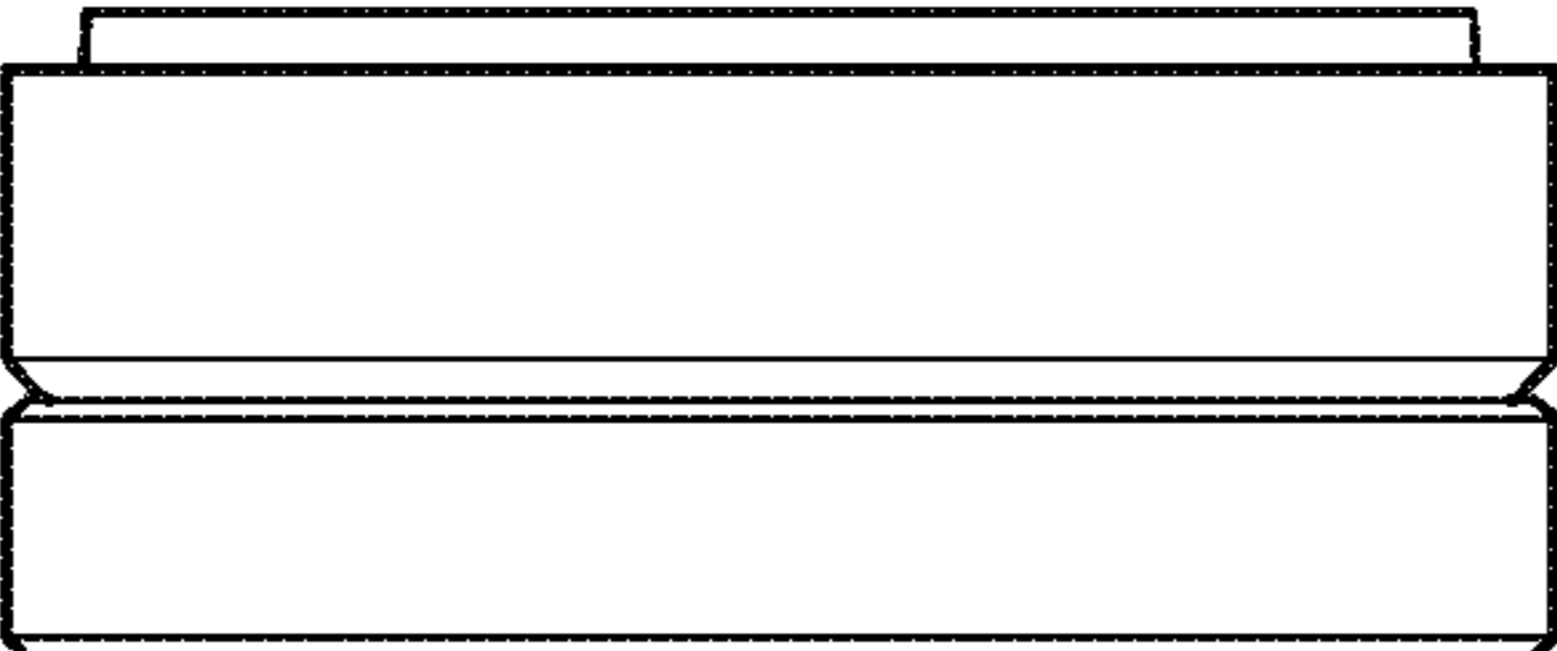


FIG. 4

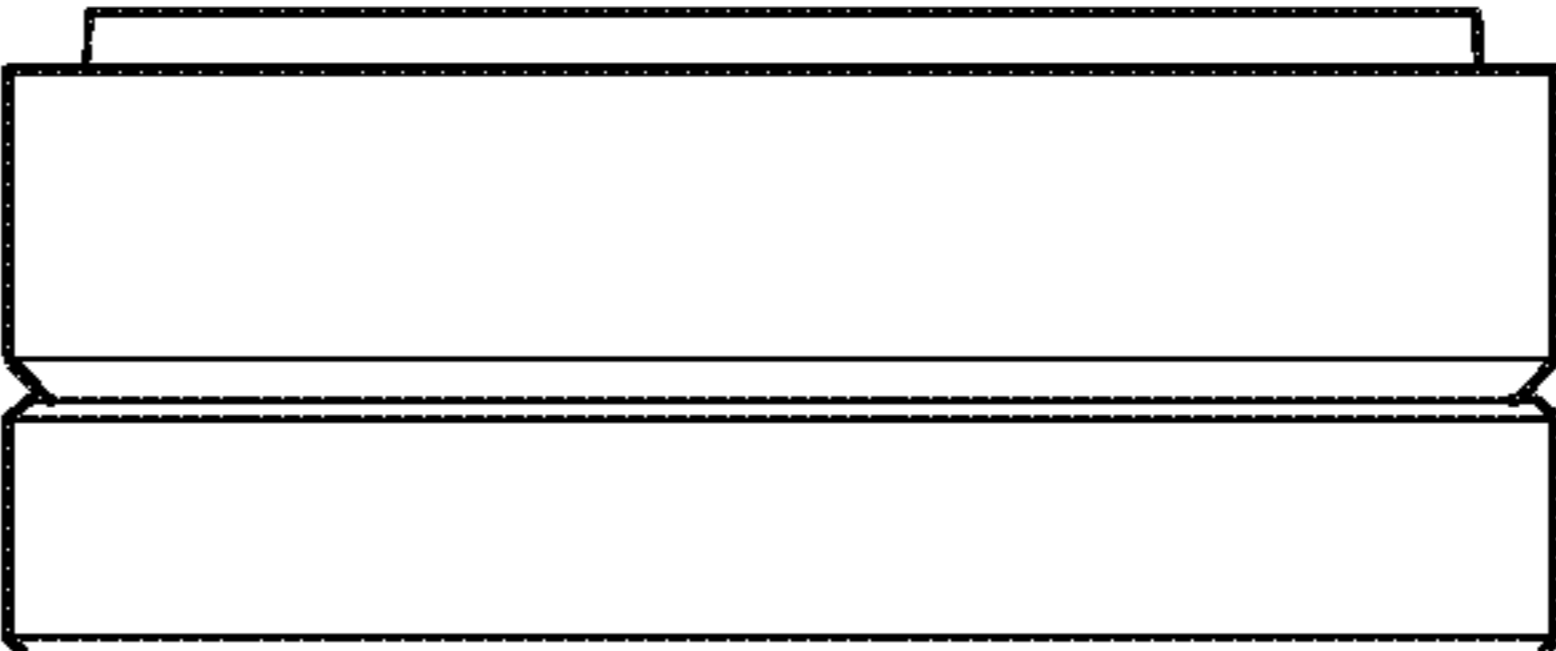


FIG. 5

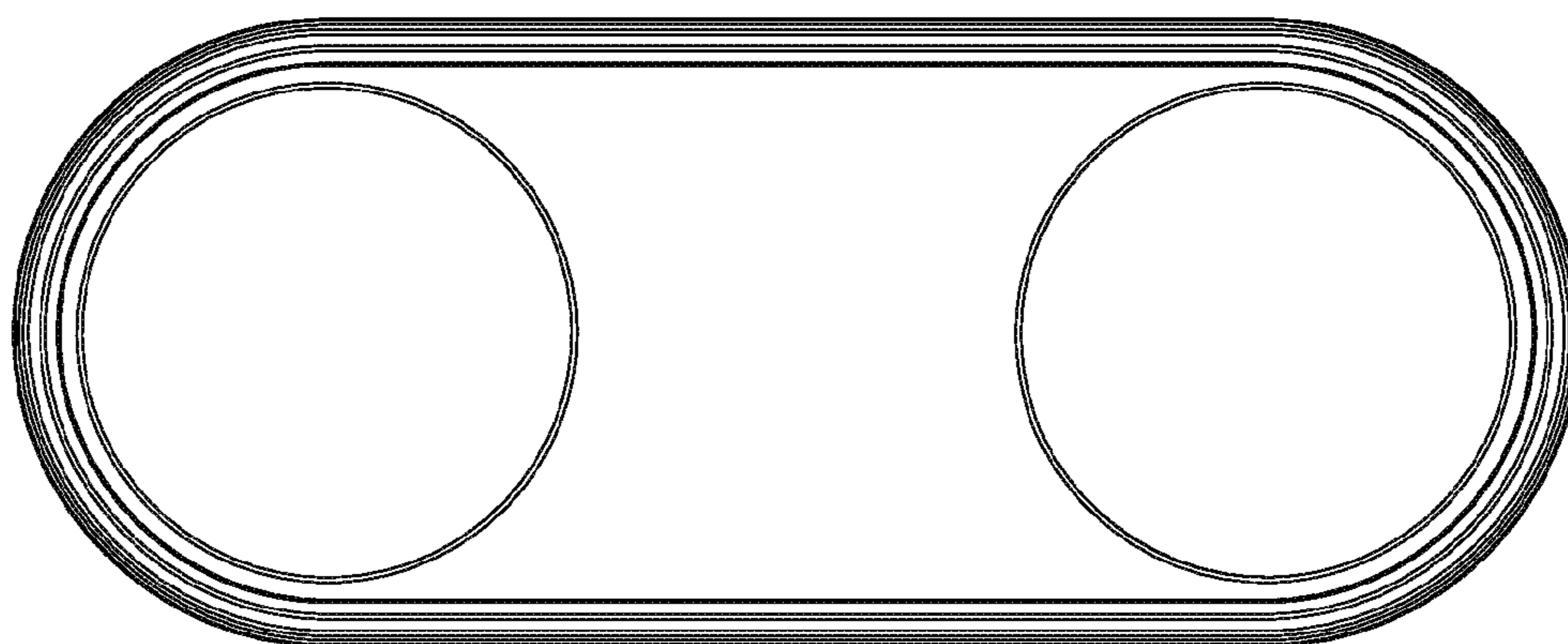


FIG. 6

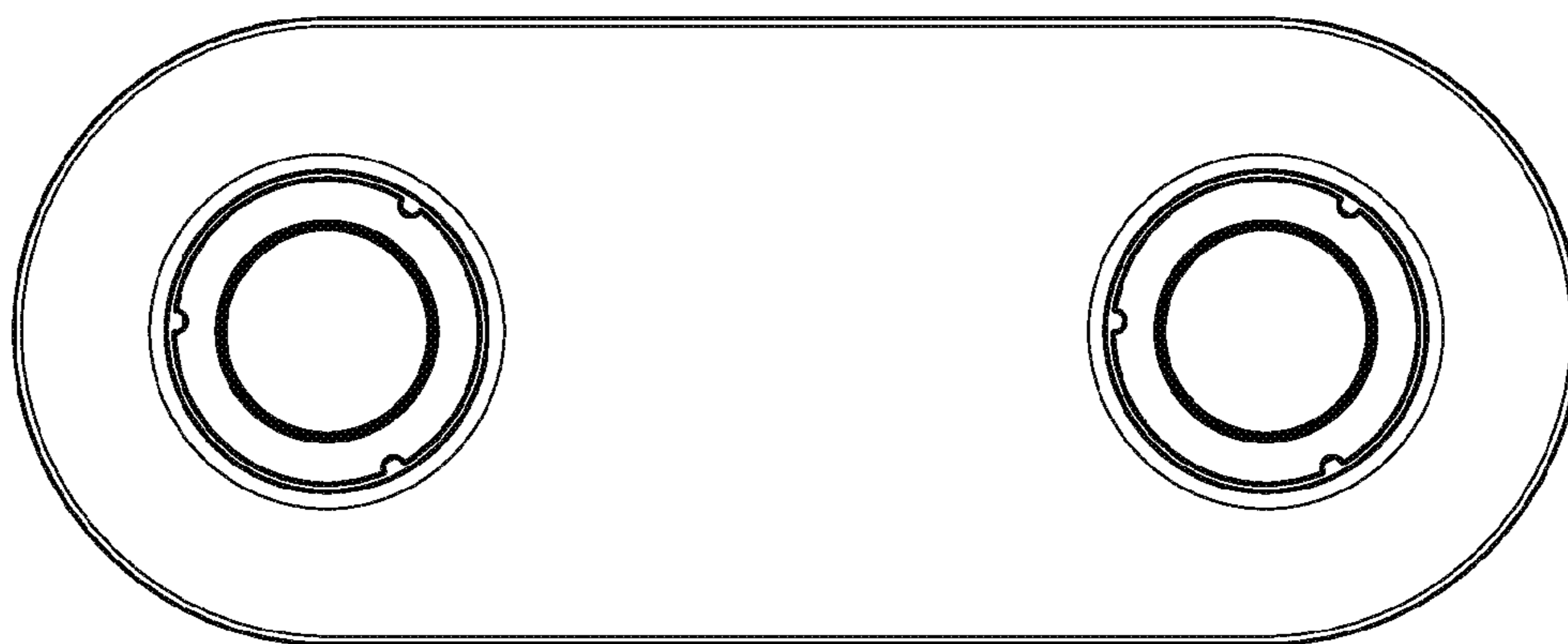


FIG. 7