



US00D662643S

(12) **United States Design Patent**  
**Takahashi et al.**

(10) **Patent No.:** **US D662,643 S**  
(45) **Date of Patent:** **\*\* Jun. 26, 2012**

(54) **LIGHTING FIXTURE**

(75) Inventors: **Akimichi Takahashi**, Kanagawa (JP);  
**Hirokazu Yamada**, Kanagawa (JP)

(73) Assignee: **Toshiba Lighting & Technology Corporation**, Kanagawa (JP)

(\*\*) Term: **14 Years**

(21) Appl. No.: **29/388,036**

(22) Filed: **Mar. 23, 2011**

(30) **Foreign Application Priority Data**

Nov. 2, 2010 (JP) ..... 2010-026335

(51) **LOC (9) Cl.** ..... **26-03**

(52) **U.S. Cl.** ..... **D26/76**

(58) **Field of Classification Search** ..... D26/72,  
D26/74, 75, 76, 77, 78, 79, 80, 81, 82, 83,  
D26/84, 85, 88, 89, 90; 362/145, 146, 147,  
362/148, 150, 151, 152, 153, 153.1, 217.01,  
362/217.02, 217.05, 217.06, 217.07, 217.08,  
362/217.09, 217.1, 217.11, 249.02, 260,  
362/296.07, 311.02

See application file for complete search history.

(56) **References Cited**

**U.S. PATENT DOCUMENTS**

D192,646 S *	4/1962	Pascucci et al.	.....	D26/76
D192,878 S *	5/1962	Muller	.....	D26/76
D493,244 S *	7/2004	Engel	.....	D26/76
D512,792 S *	12/2005	Benensohn	.....	D26/76
D580,087 S *	11/2008	Couture et al.	.....	D26/76
D600,398 S *	9/2009	Nourishad et al.	.....	D26/120
D602,626 S *	10/2009	Santoro et al.	.....	D26/76
D604,002 S *	11/2009	Santoro	.....	D26/76
D608,933 S *	1/2010	Castelli	.....	D26/76

D610,735 S *	2/2010	Chien	.....	D26/76
D617,489 S *	6/2010	Santoro	.....	D26/76
D626,268 S *	10/2010	Santoro	.....	D26/76
D645,193 S *	9/2011	Chung et al.	.....	D26/75
D645,194 S *	9/2011	Budike et al.	.....	D26/76

**FOREIGN PATENT DOCUMENTS**

JP	D1350430	2/2009
JP	D1350431	2/2009
JP	D1371330	10/2009
JP	D1388807	5/2010
JP	D1393311	7/2010

\* cited by examiner

*Primary Examiner* — Angela J Lee

(74) *Attorney, Agent, or Firm* — J.C. Patents

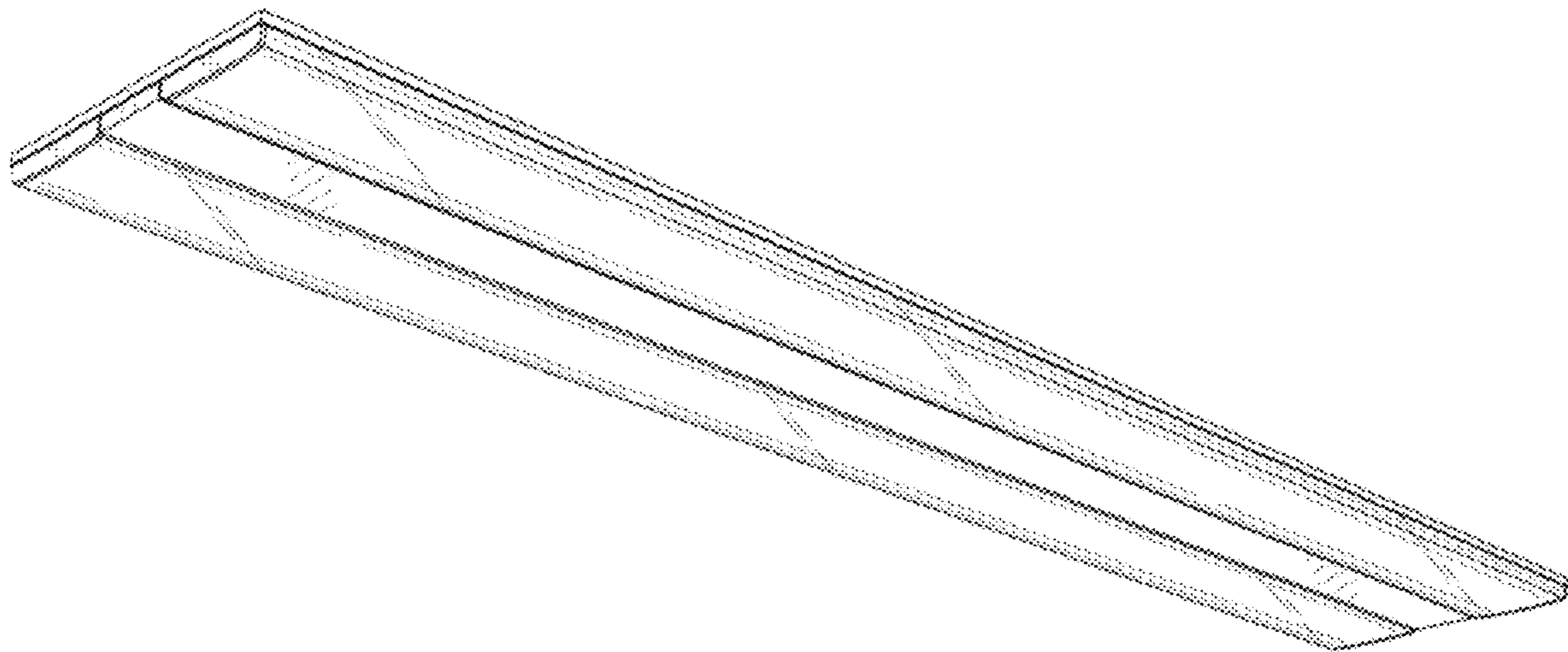
(57) **CLAIM**

The ornamental design for a lighting fixture, as shown and described.

**DESCRIPTION**

FIG. 1 is a perspective view of a lighting fixture showing our new design;  
 FIG. 2 is a front view thereof;  
 FIG. 3 is a right side view thereof;  
 FIG. 4 is a top view thereof;  
 FIG. 5 is a bottom view thereof;  
 FIG. 6 is an expanded cross-sectional view taken along line 6-6 in FIG. 2 with the internal parts omitted;  
 FIG. 7 is a cross-sectional view taken along line 7-7 in FIG. 3 with the internal parts omitted; and,  
 FIG. 8 is an enlarged view of an indicated portion of FIG. 7.  
 A left side view and a rear view of the lighting fixture are omitted since the left side view and the rear view are respectively identical to the right side view and the front view. The portions with double hatching lines shown in FIGS. 6, 7 and 8 are light-pervious.

**1 Claim, 5 Drawing Sheets**



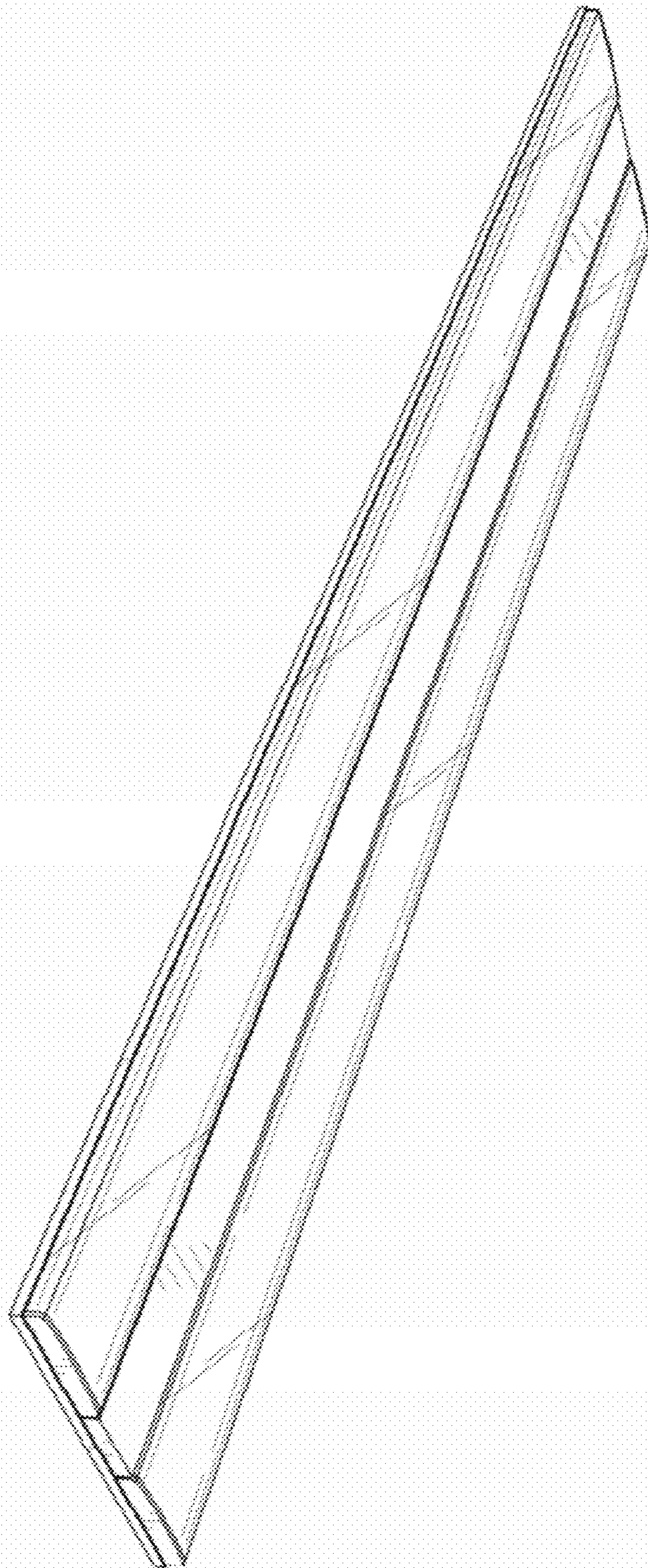


FIG. 1

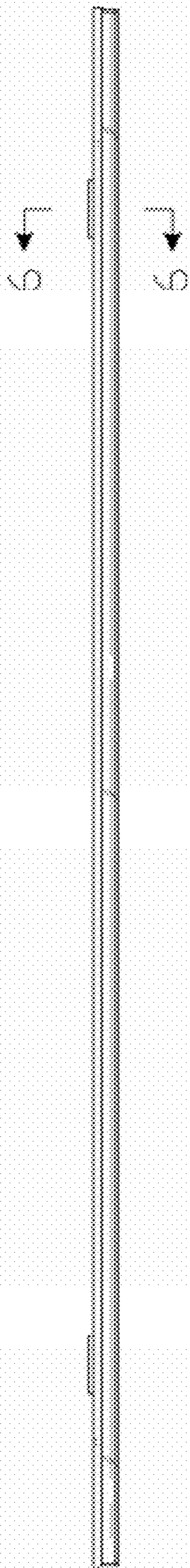


FIG. 2

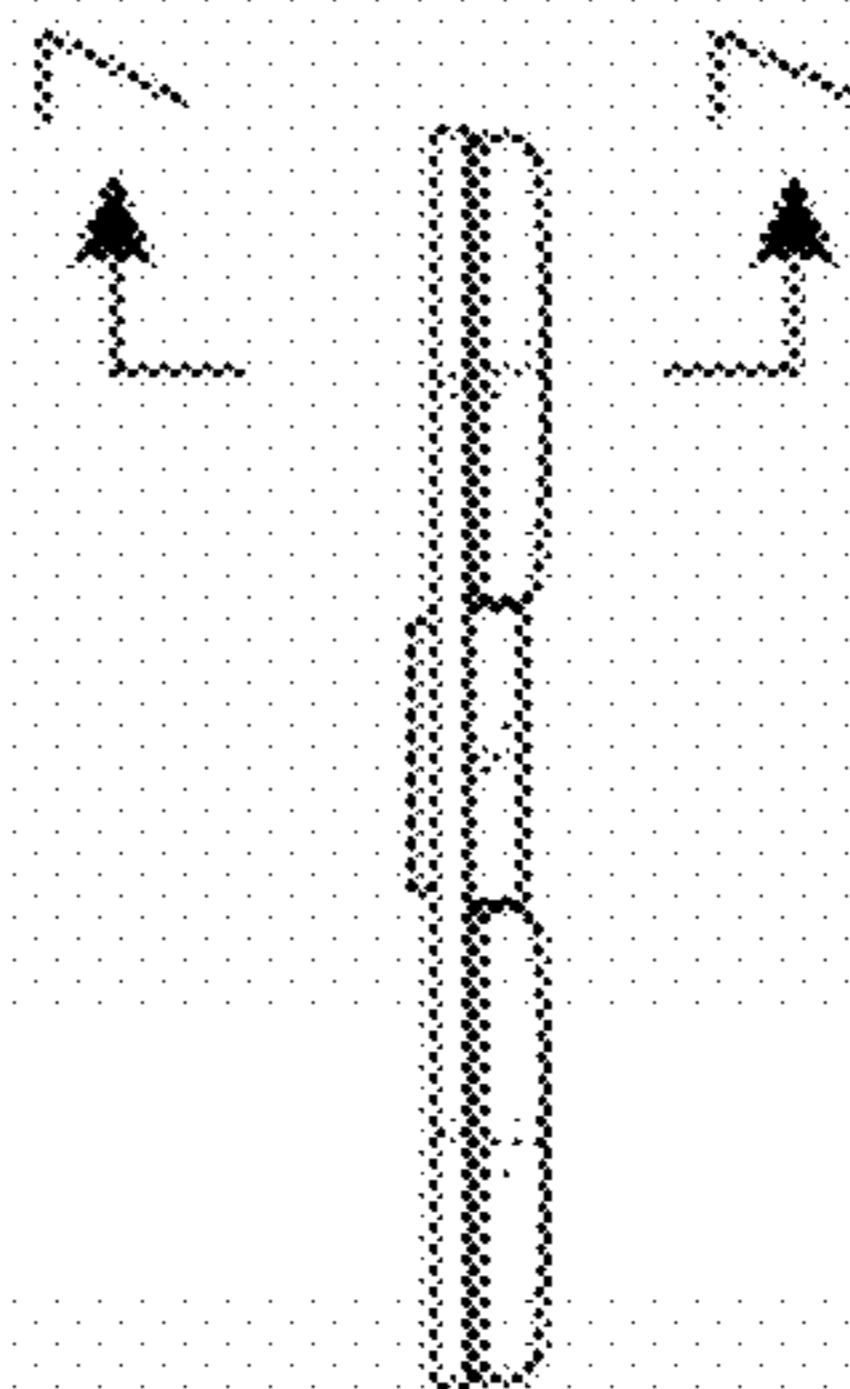


FIG. 3

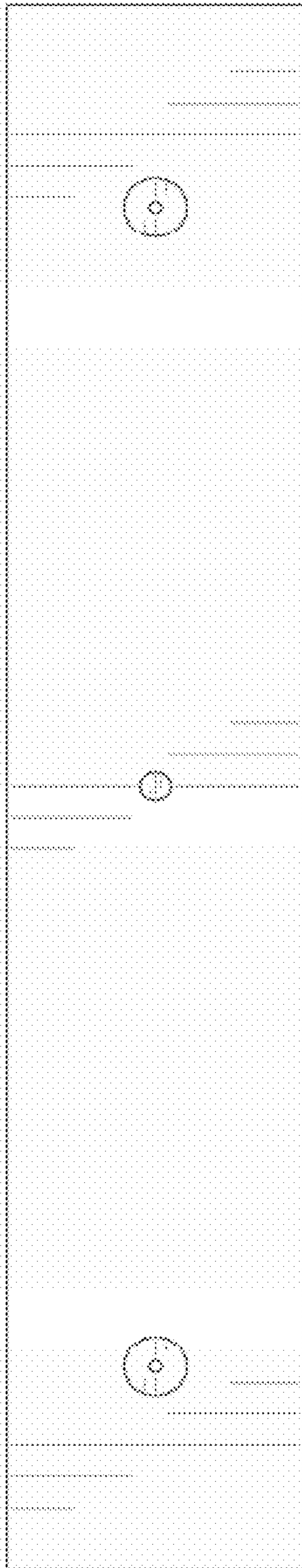


FIG. 4

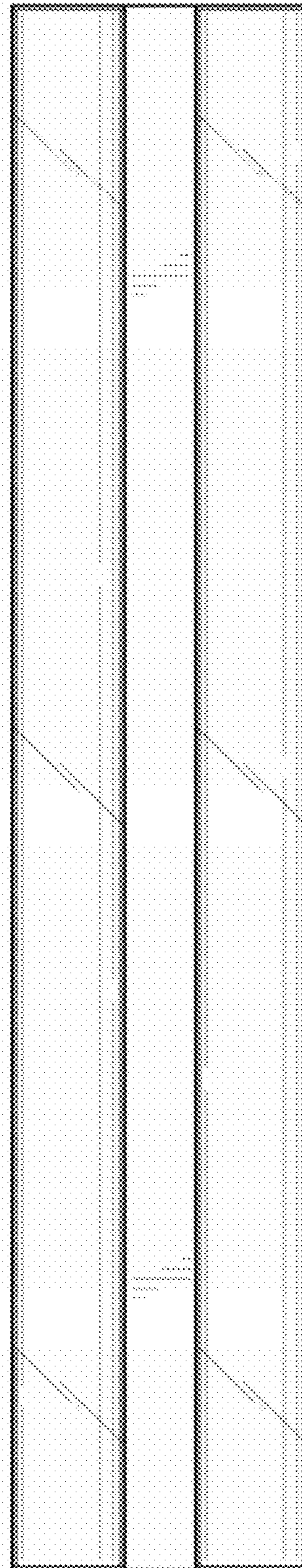


FIG. 5

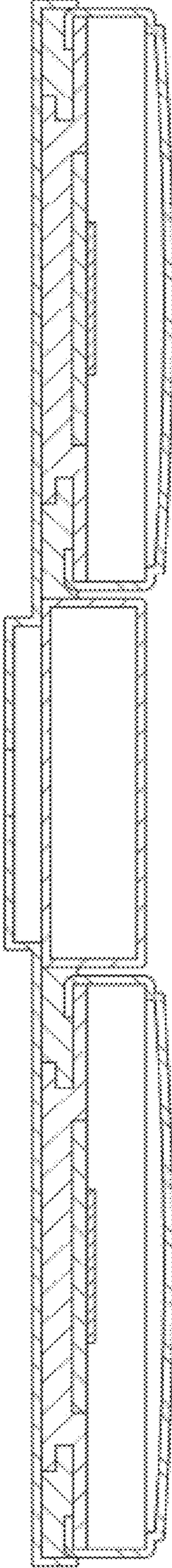


FIG. 6

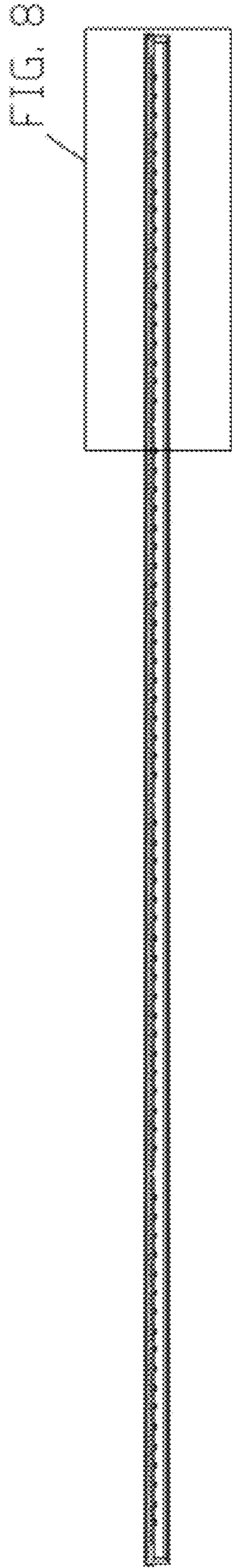


FIG. 7



FIG. 8