



US00D662641S

(12) **United States Design Patent**
Levine

(10) **Patent No.:** **US D662,641 S**
(45) **Date of Patent:** **** Jun. 26, 2012**

(54) **LIGHTING DEVICE**

(76) Inventor: **Jonathan E. Levine**, New York, NY
(US)

(**) Term: **14 Years**

(21) Appl. No.: **29/402,088**

(22) Filed: **Sep. 20, 2011**

(51) **LOC (9) Cl.** **26-05**

(52) **U.S. Cl.** **D26/65**

(58) **Field of Classification Search** D26/60-66,
D26/93, 37, 44; 362/98, 99, 157, 174-177,
362/257, 269, 270, 274, 275, 277, 278, 280-285,
362/287, 288, 410, 413, 414, 418, 419, 427,
362/800, 190, 191, 401, 449, 352

See application file for complete search history.

(56) **References Cited**

U.S. PATENT DOCUMENTS

5,169,226	A *	12/1992	Friedman	362/190
D397,478	S *	8/1998	Booty, Jr.	D26/65
D408,567	S *	4/1999	Coe	D26/60
6,022,119	A *	2/2000	Booty, Jr.	362/98
D435,677	S *	12/2000	Hollinger	D26/60
D439,688	S *	3/2001	Suzuki	D26/37
D497,216	S *	10/2004	Lee	D26/60
D523,839	S *	6/2006	Li	D14/168
D524,474	S *	7/2006	Lo et al.	D26/60
D526,433	S *	8/2006	Li	D26/60
D542,452	S *	5/2007	Chow	D26/60
7,218,463	B1 *	5/2007	Arsenault	359/817
D581,572	S *	11/2008	Levine	D26/63
D598,595	S *	8/2009	Levine	
7,578,598	B2 *	8/2009	Robinson et al.	362/183

D623,336	S *	9/2010	Levine	D26/65
D630,357	S *	1/2011	Chang	D26/60
D655,433	S *	3/2012	Levine	D26/65

* cited by examiner

Primary Examiner — Susan M Lee

Assistant Examiner — Linda G. Brooks

(74) *Attorney, Agent, or Firm* — Perkins Coie LLP

(57) **CLAIM**

The ornamental design for a lighting device, as shown and described.

DESCRIPTION

FIG. 1 is a perspective view of a lighting device showing my new design in a first configuration, as viewed from the top and one side.

FIG. 2 is a front elevation view of the lighting device of FIG. 1 in the first configuration.

FIG. 3 is a first side elevation view of the lighting device of FIG. 1 in the first configuration.

FIG. 4 is a bottom plan view of the lighting device of FIG. 1 in the first configuration.

FIG. 5 is a top plan view of the lighting device of FIG. 1 in the first configuration.

FIG. 6 is a second side elevation view of the lighting device of FIG. 1 in the first configuration.

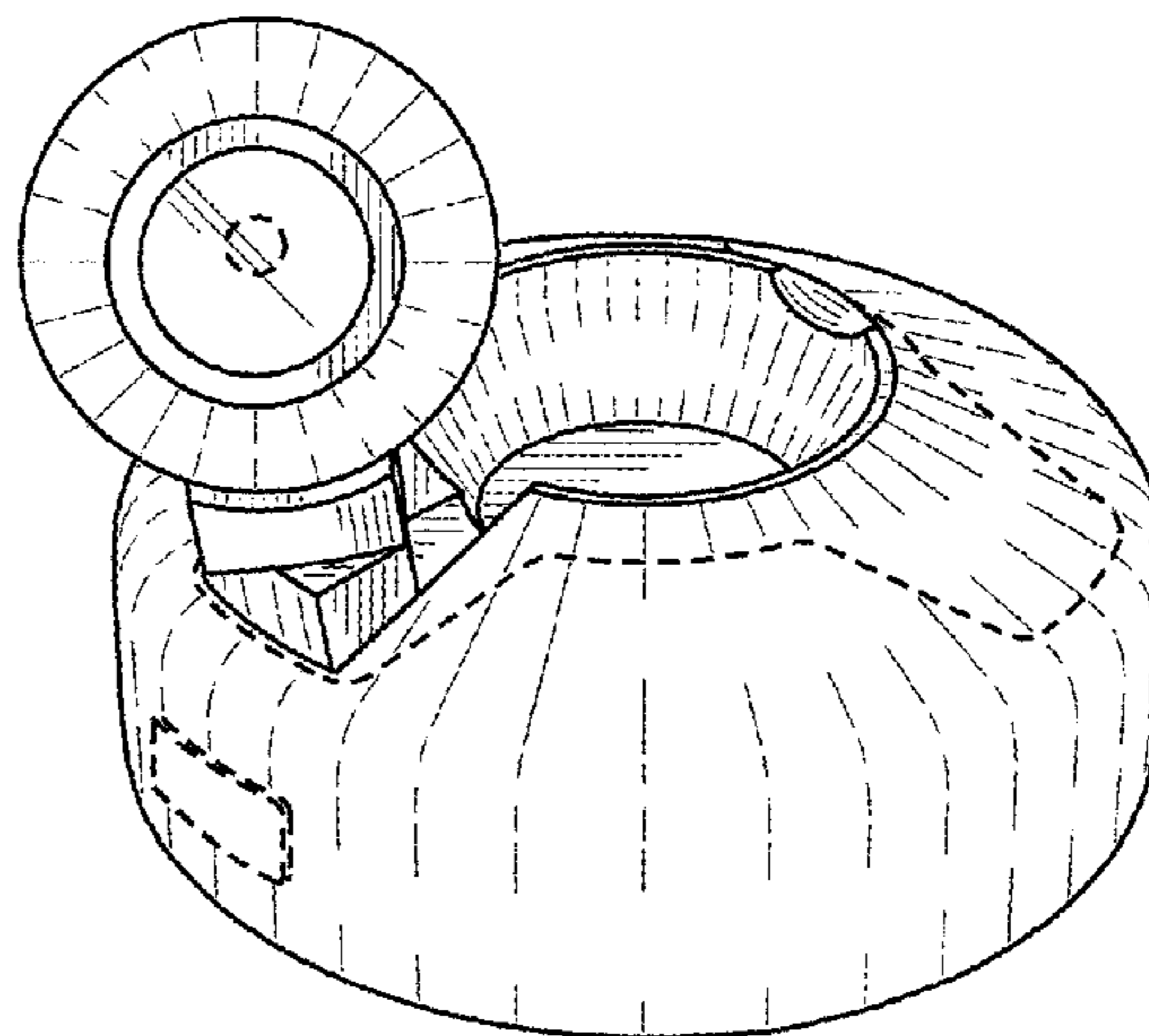
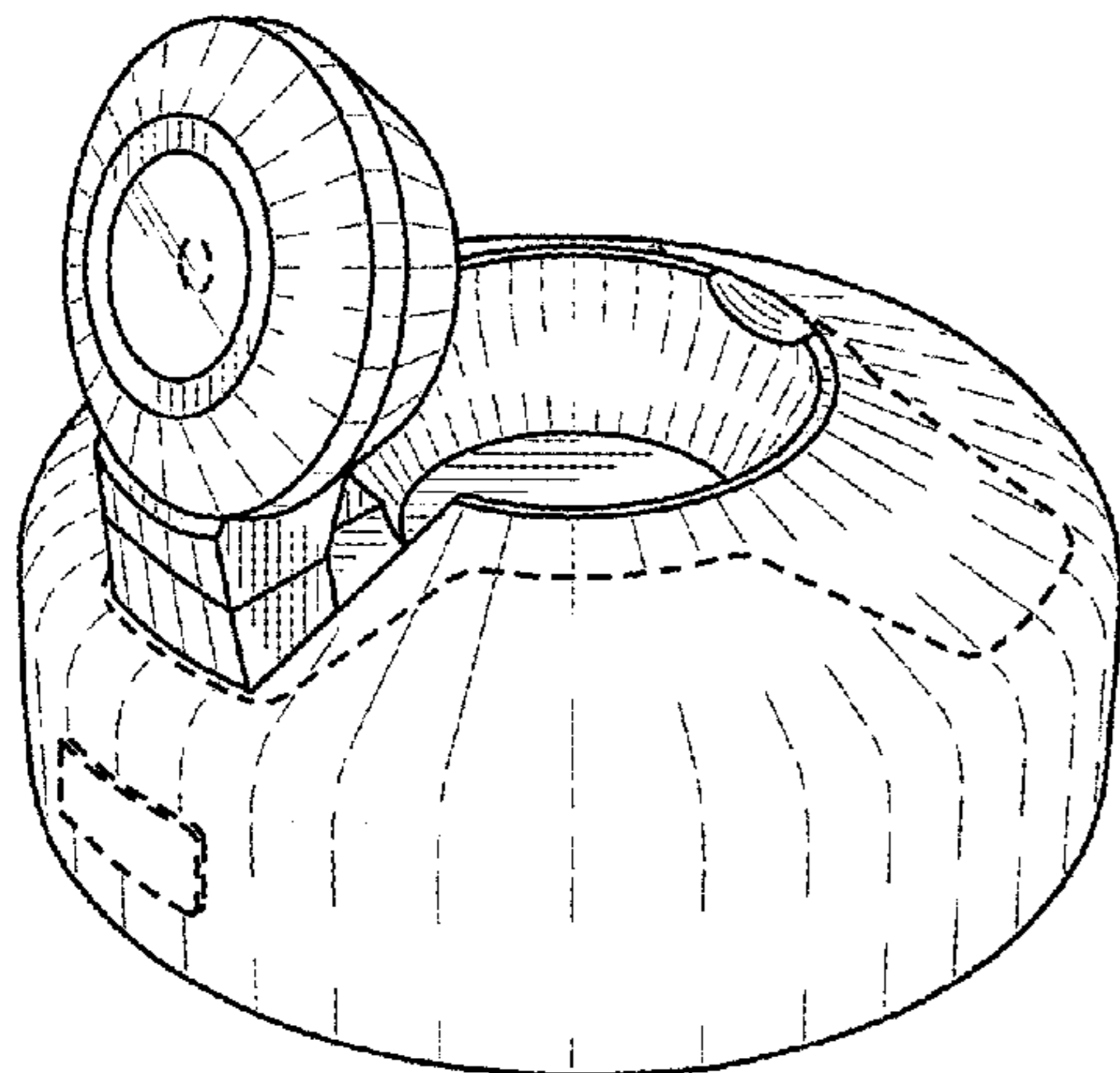
FIG. 7 is a back elevation view of the lighting device of FIG. 1 in the first configuration.

FIG. 8 is a perspective view of the lighting device of FIG. 1 in a second configuration, as viewed from the top and one side; and,

FIG. 9 is a perspective view of the lighting device of FIG. 1 in a third configuration, as viewed from the top and one side.

The details shown in broken lines illustrate portions of the lighting device that form no part of the claimed design.

1 Claim, 3 Drawing Sheets



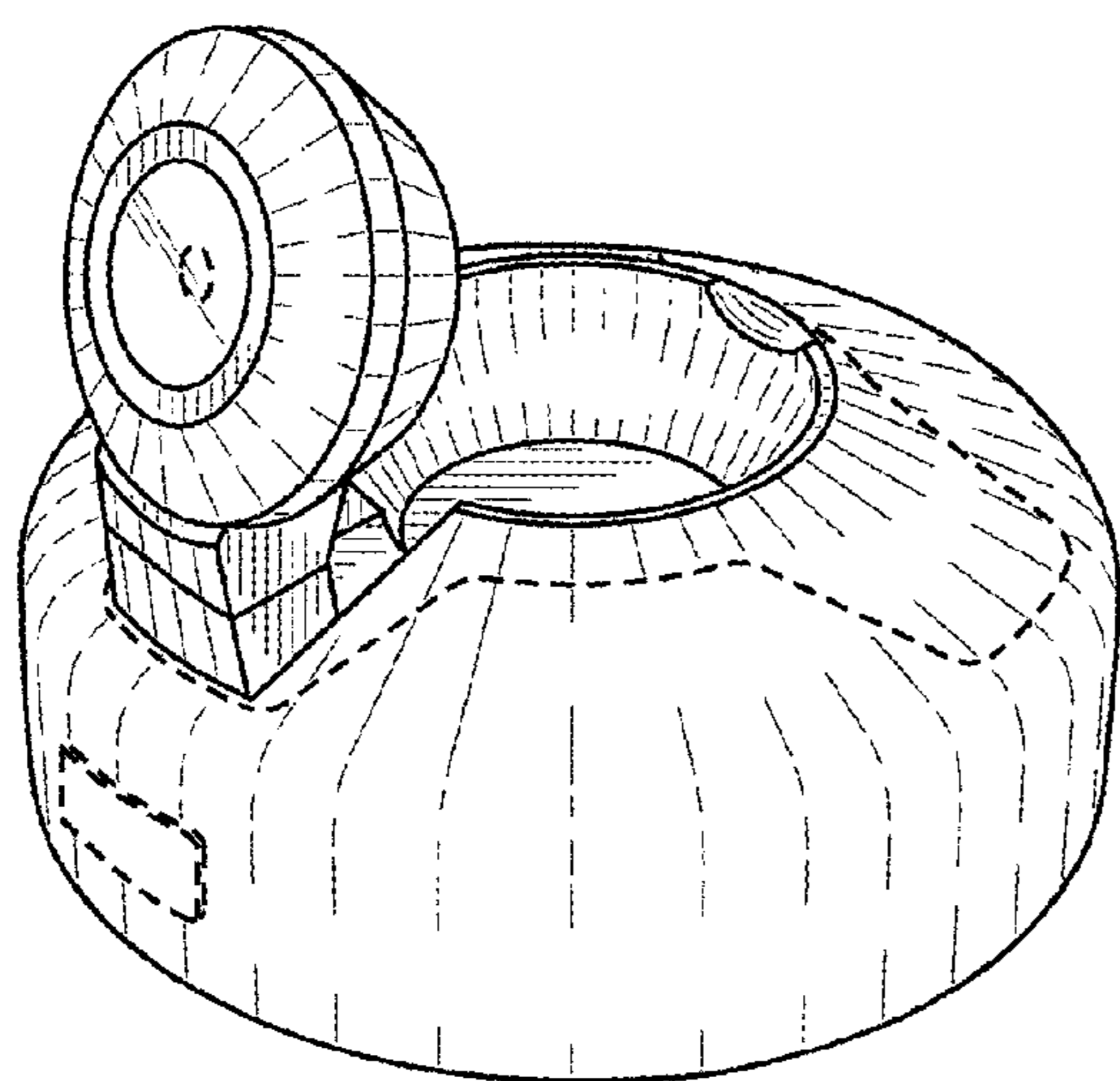


FIG. 1

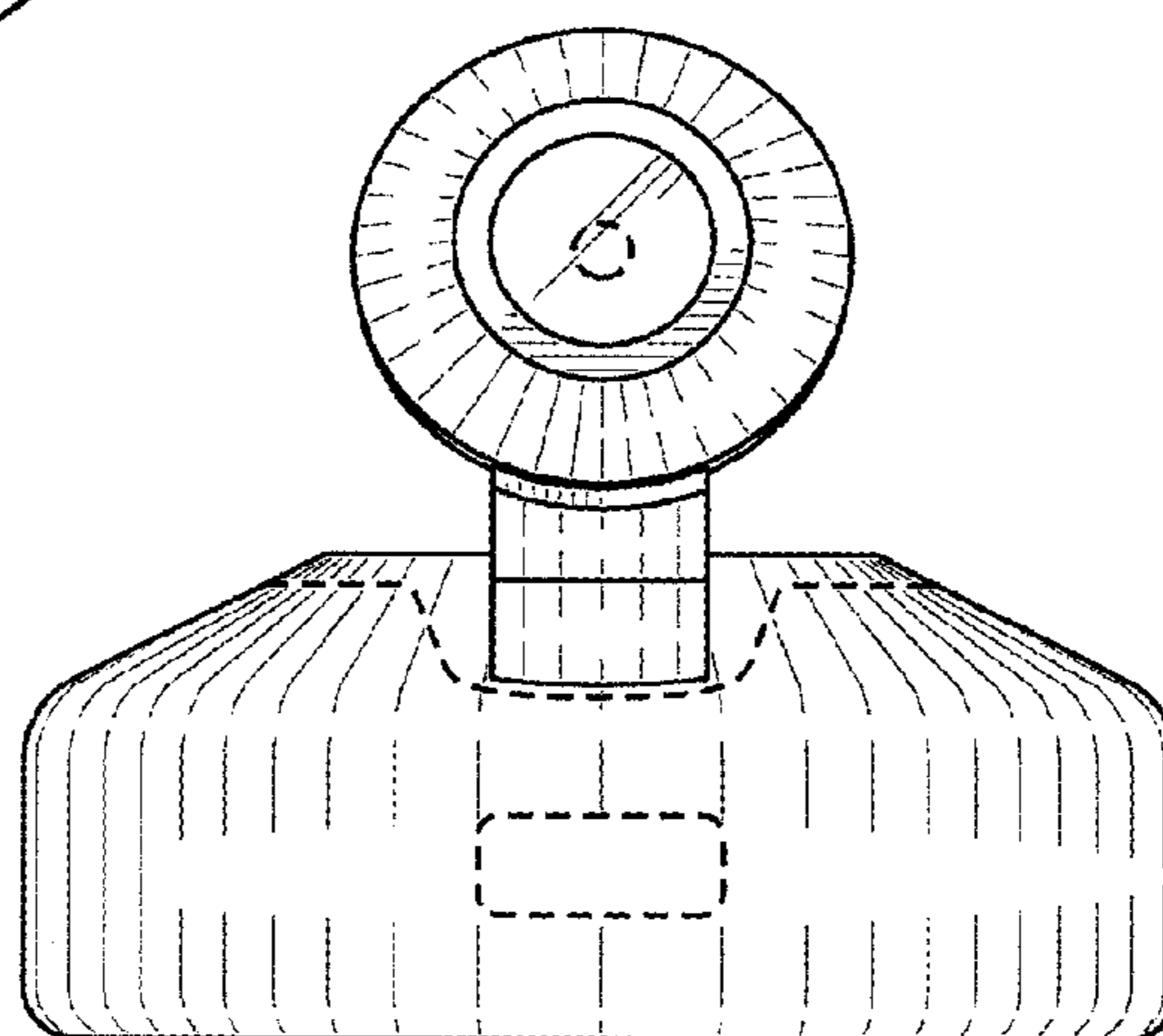


FIG. 2

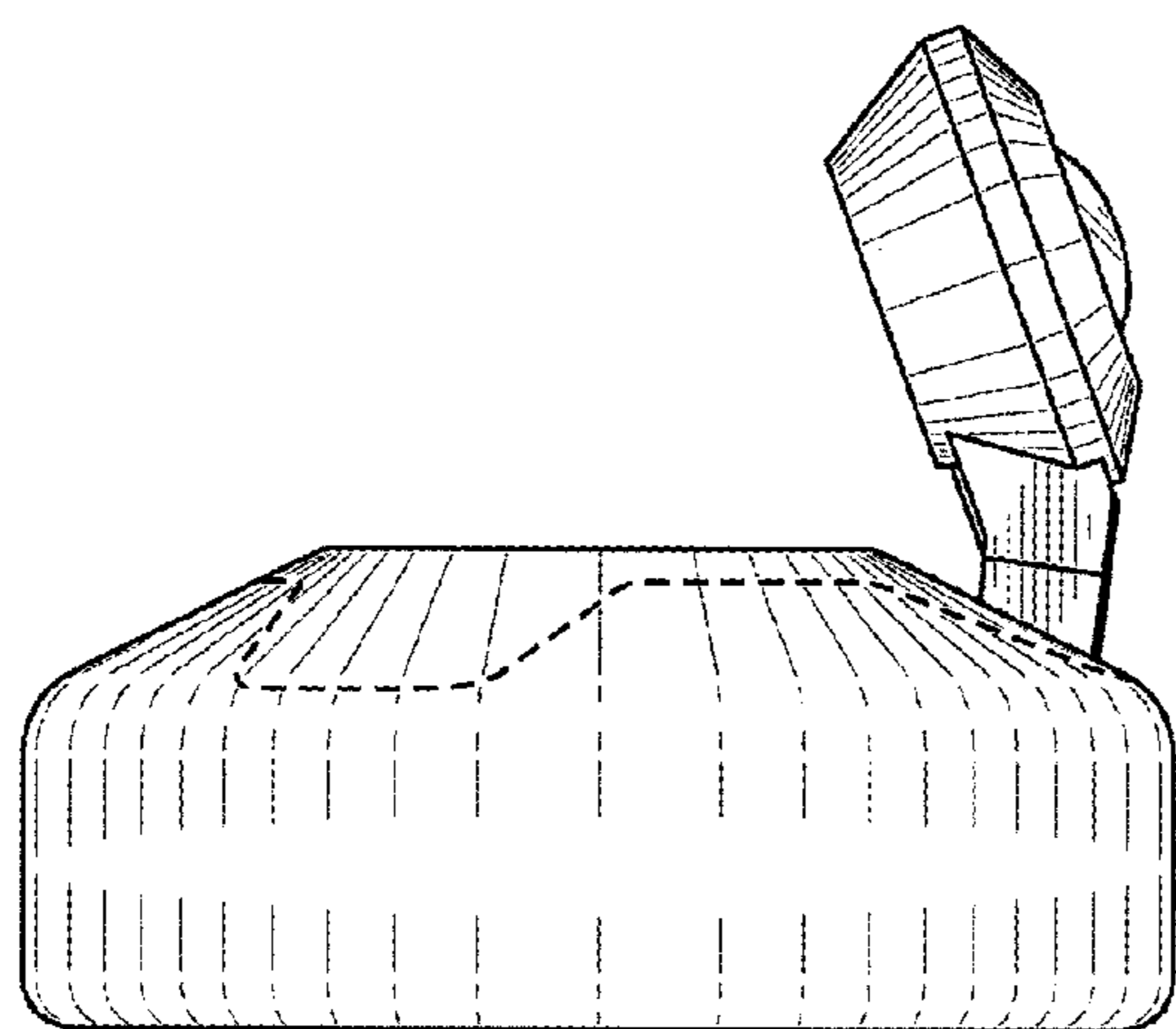


FIG. 3

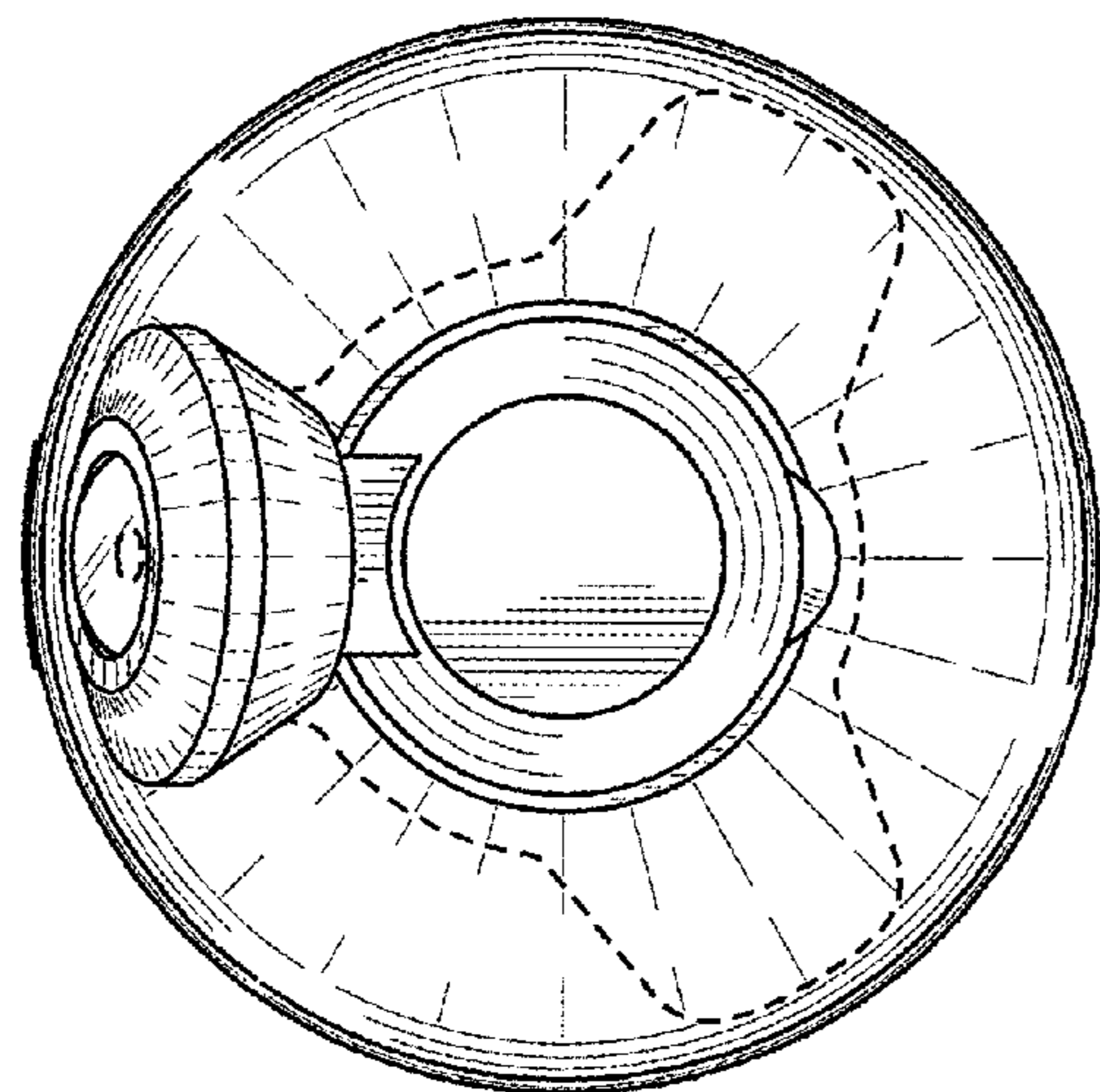


FIG. 5

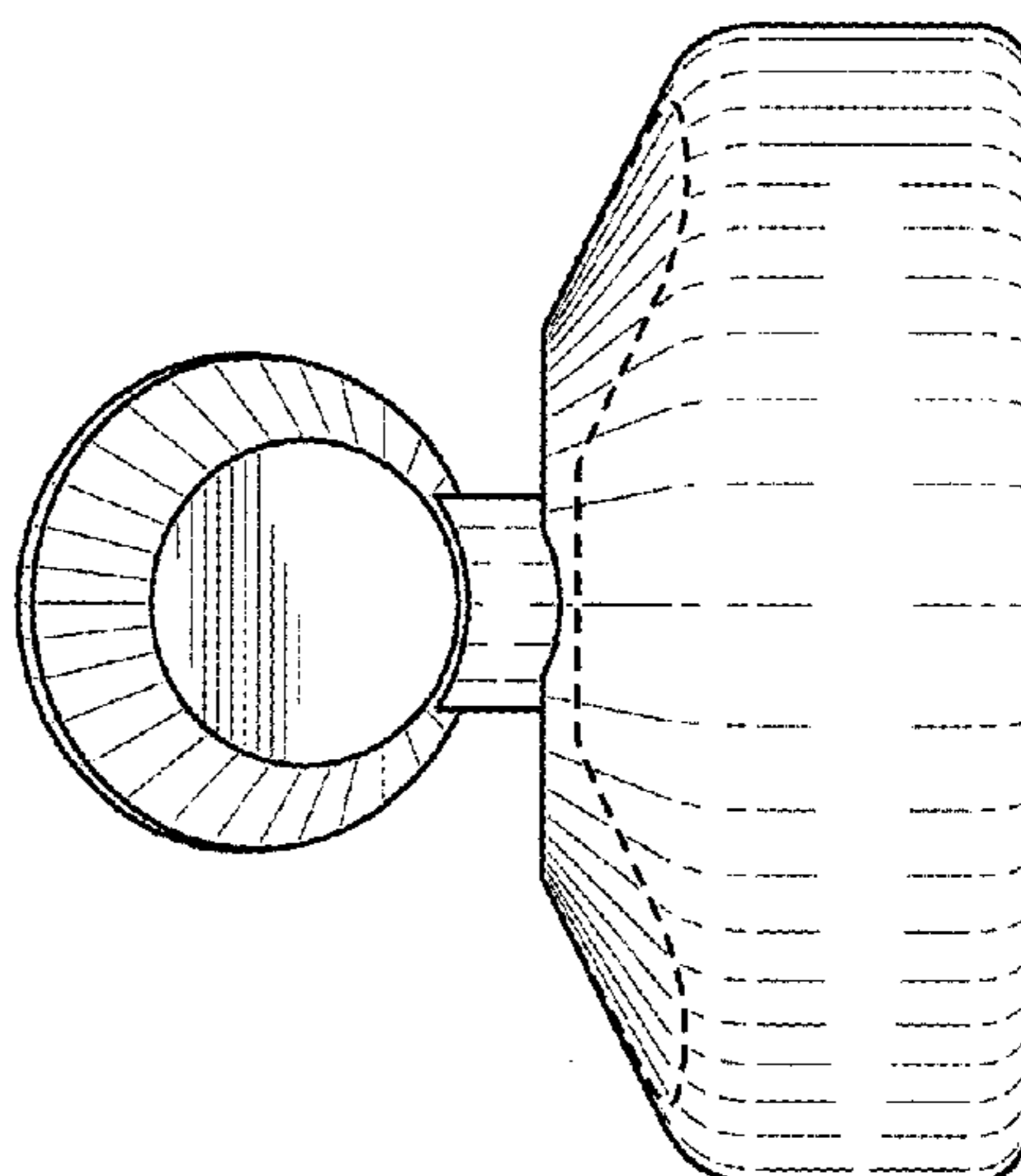


FIG. 7

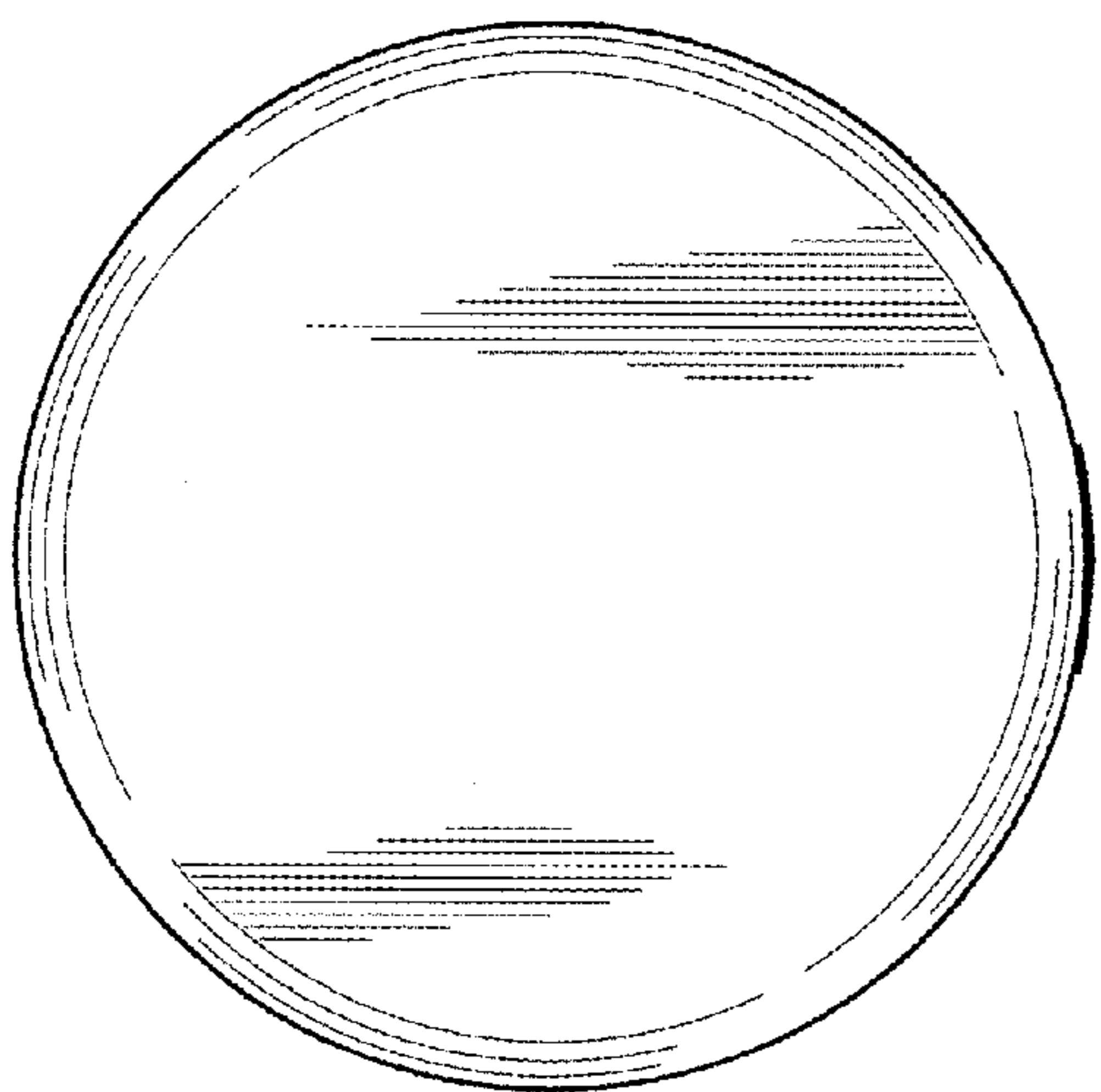


FIG. 4

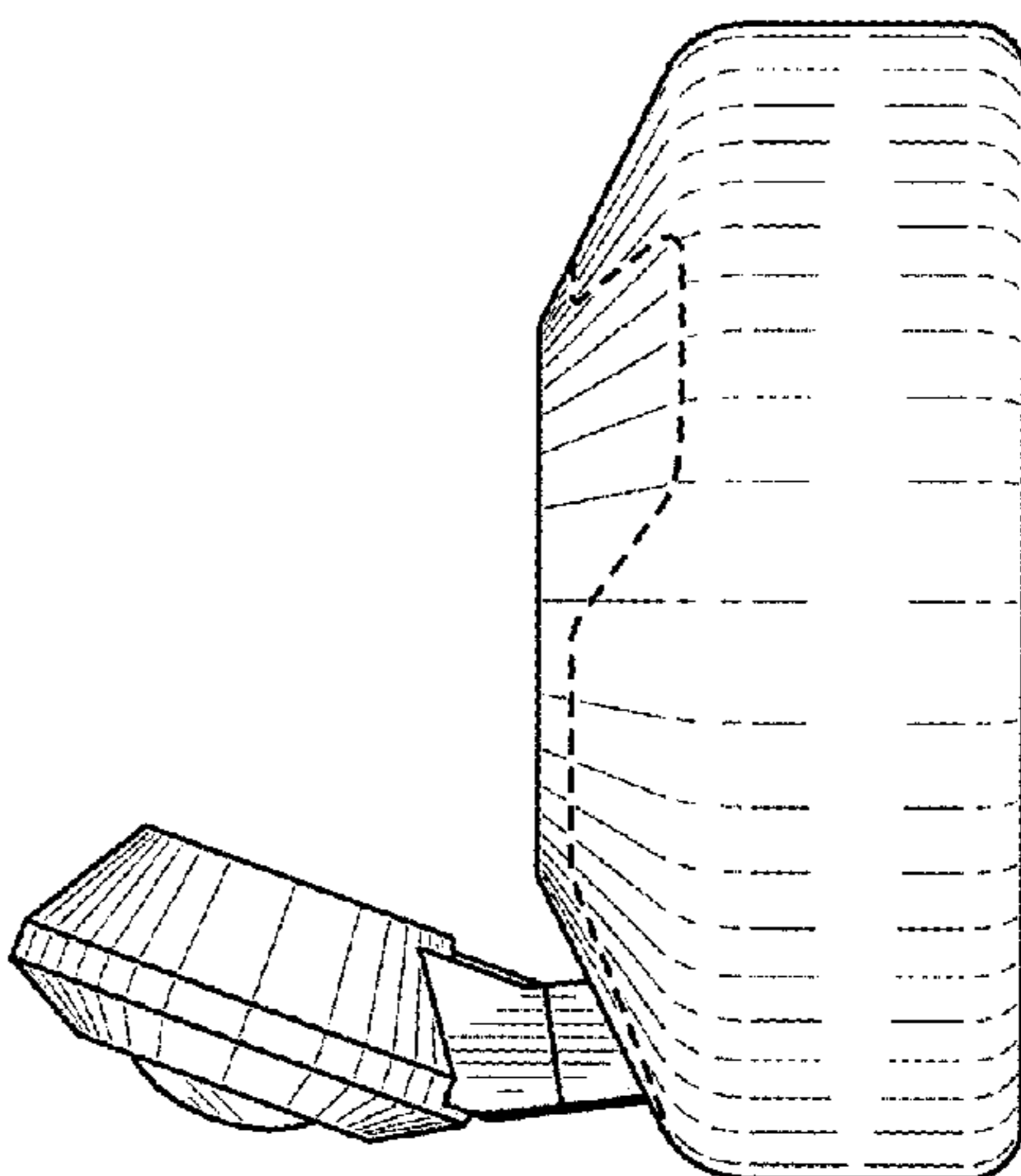


FIG. 6

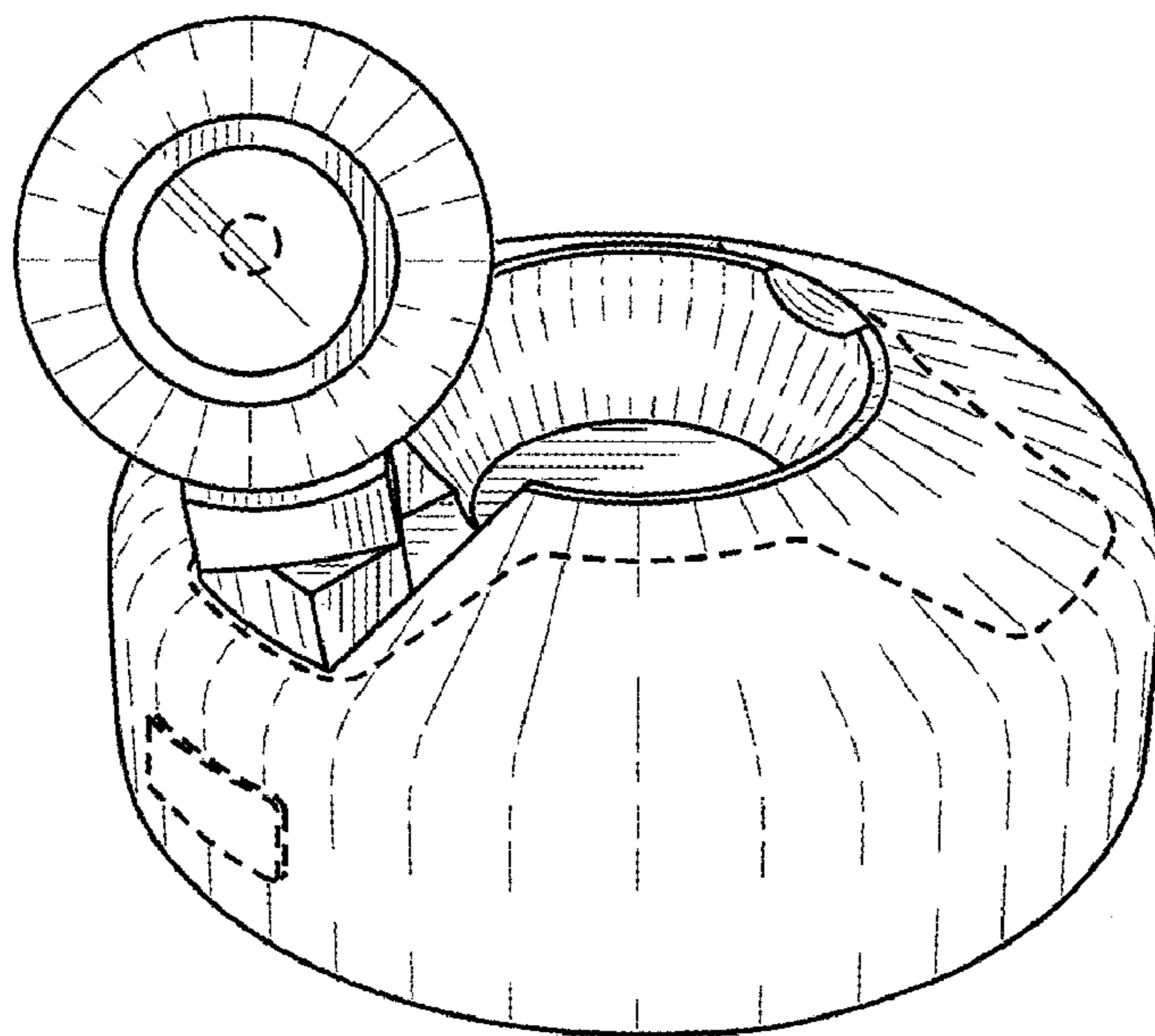


FIG. 8

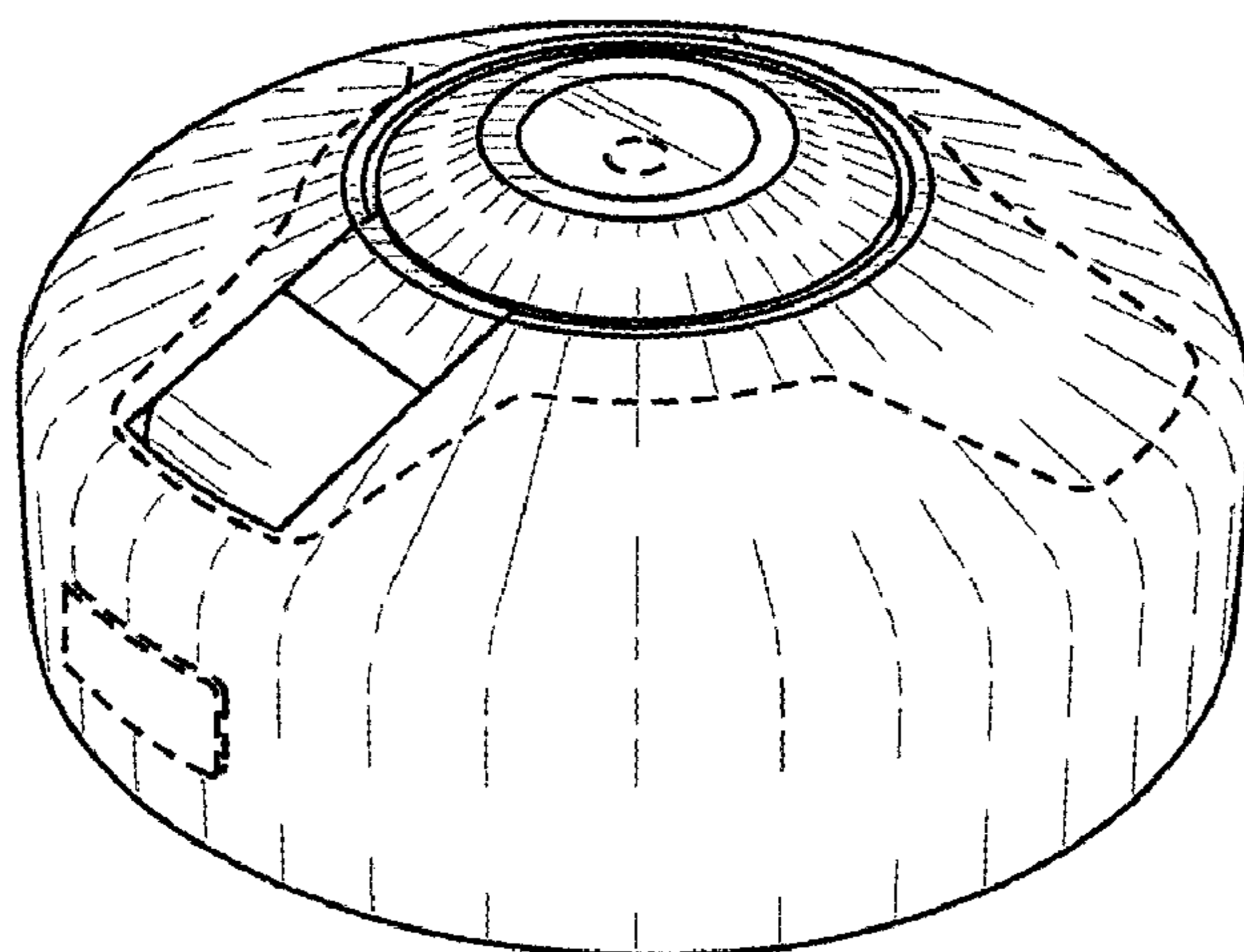


FIG. 9