



US00D662640S

(12) **United States Design Patent**
Ng et al.

(10) **Patent No.:** **US D662,640 S**
(45) **Date of Patent:** **** Jun. 26, 2012**

(54) **FLOOR LAMP**

(75) Inventors: **Kenneth Ng**, Arcadia, CA (US);
Edmund Ng, Temple City, CA (US);
Peter Ng, Hong Kong (CN)

(73) Assignee: **Koncept Technologies Inc.**, Monrovia,
CA (US)

(**) Term: **14 Years**

(21) Appl. No.: **29/391,030**

(22) Filed: **May 2, 2011**

(51) **LOC (9) Cl.** **26-05**

(52) **U.S. Cl.** **D26/65**

(58) **Field of Classification Search** D26/60-66,
D26/93, 106-109, 102, 104, 118; 362/145,
362/153, 153.1, 217.02, 220, 223, 238, 240,
362/249.1, 249.01-249.03, 249.07, 249.09,
362/421, 427, 413, 269, 270, 274, 275, 277,
362/280-285, 287, 288, 311.02, 800, 555,
362/410

See application file for complete search history.

(56) **References Cited**

U.S. PATENT DOCUMENTS

D486,938 S *	2/2004	Waldmann	D26/60
D495,082 S *	8/2004	Marchand	D26/65
D510,451 S *	10/2005	Marchand	D26/65
D523,164 S *	6/2006	Ng	D26/65
D574,530 S *	8/2008	Tragatschnig	D26/61
D606,692 S *	12/2009	Waldmann	D26/65
D620,165 S *	7/2010	Huang	D26/63
D622,885 S *	8/2010	Ng et al.	D26/65
D626,279 S *	10/2010	Watson et al.	D26/93
D635,707 S *	4/2011	Ng et al.	D26/65
2007/0247860 A1 *	10/2007	Franklin et al.	362/431

OTHER PUBLICATIONS

(2002-2008),HL5000 i-Tower High Power LED Desk Lamp, About
Koncept Technologies, www.koncepttech.com/productimages.html.

* cited by examiner

Primary Examiner — Susan M Lee

Assistant Examiner — Linda G. Brooks

(74) *Attorney, Agent, or Firm* — Foley & Lardner LLP

(57) **CLAIM**

We claim the ornamental design for a floor lamp, as shown
and described.

DESCRIPTION

FIG. 1 is a perspective view of a floor lamp according to the
claimed design;

FIG. 2 is an enlarged detail of the bottom, right-side perspec-
tive view of the floor lamp in FIG. 1;

FIG. 3 is a left view of a floor lamp according to the claimed
design;

FIG. 4 is a right view of a floor lamp according to the claimed
design;

FIG. 5 is a front view of a floor lamp according to the claimed
design;

FIG. 6 is a back view of a floor lamp according to the claimed
design;

FIG. 7 is a top view of a floor lamp according to the claimed
design; and,

FIG. 8 is a bottom view of the claimed design.

The design has been shown broken away to indicate that no
particular length is claimed. The portions of the floor lamp
shown in broken lines form no part of the claimed design.

1 Claim, 8 Drawing Sheets

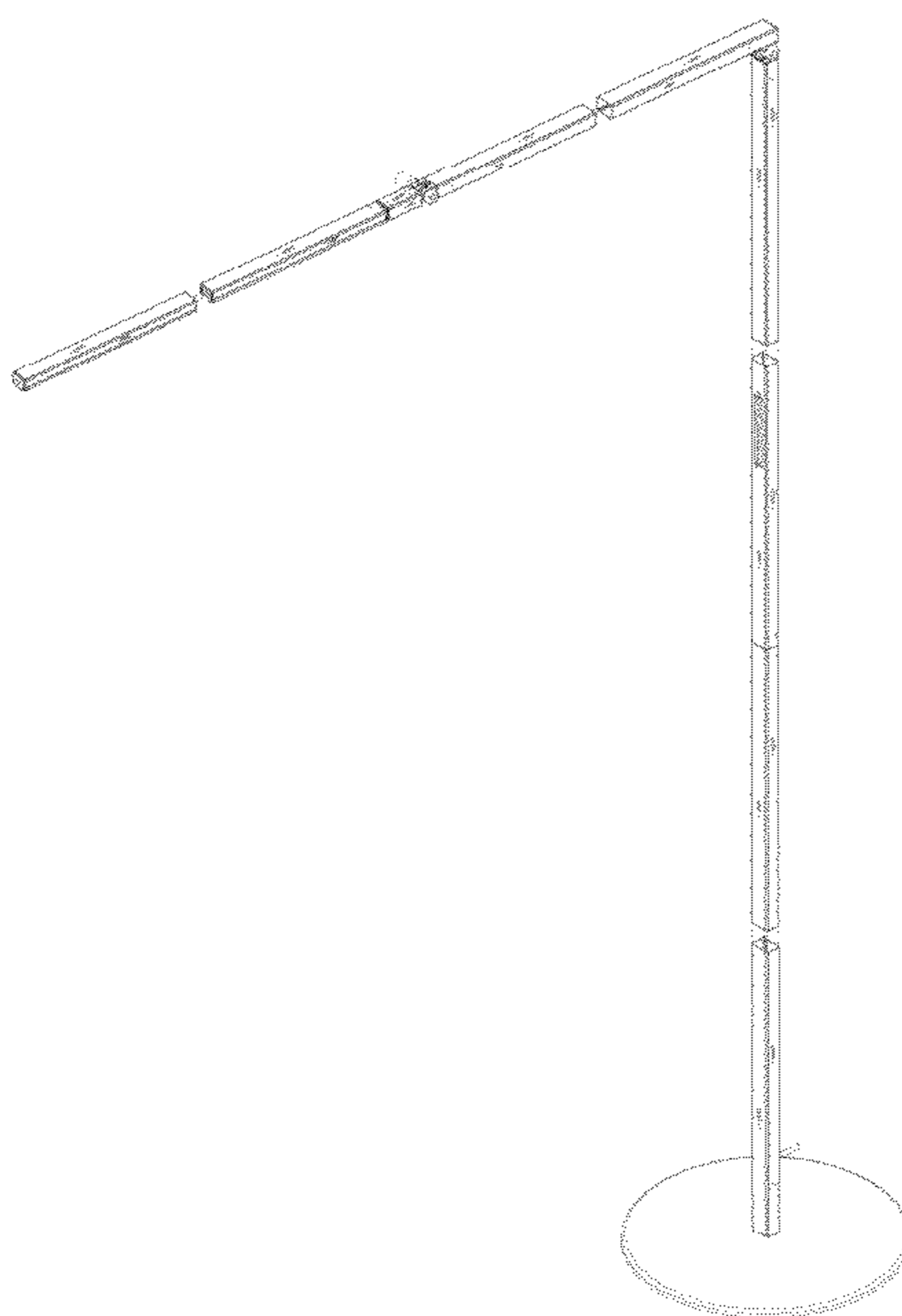




FIG. 1

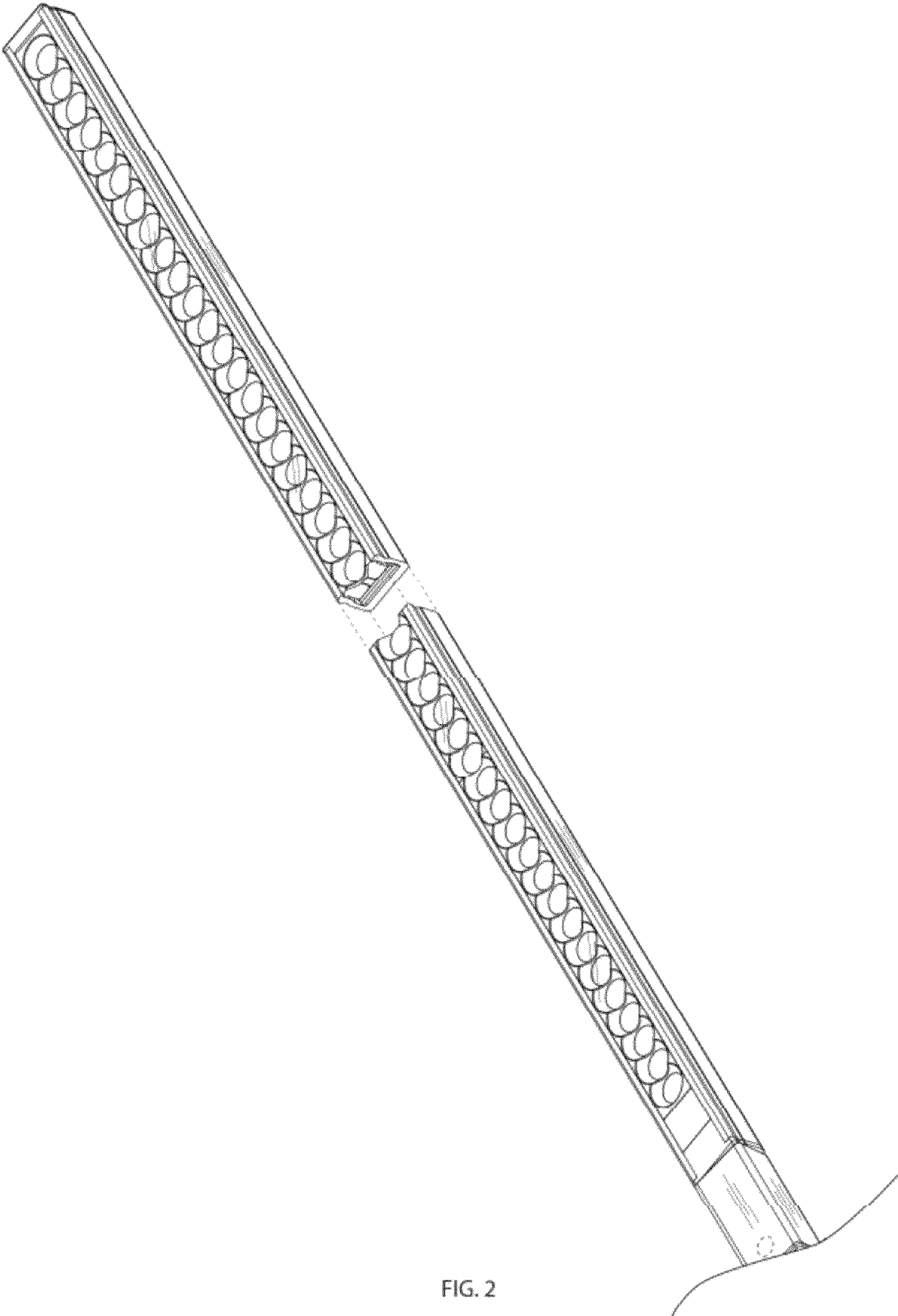


FIG. 2

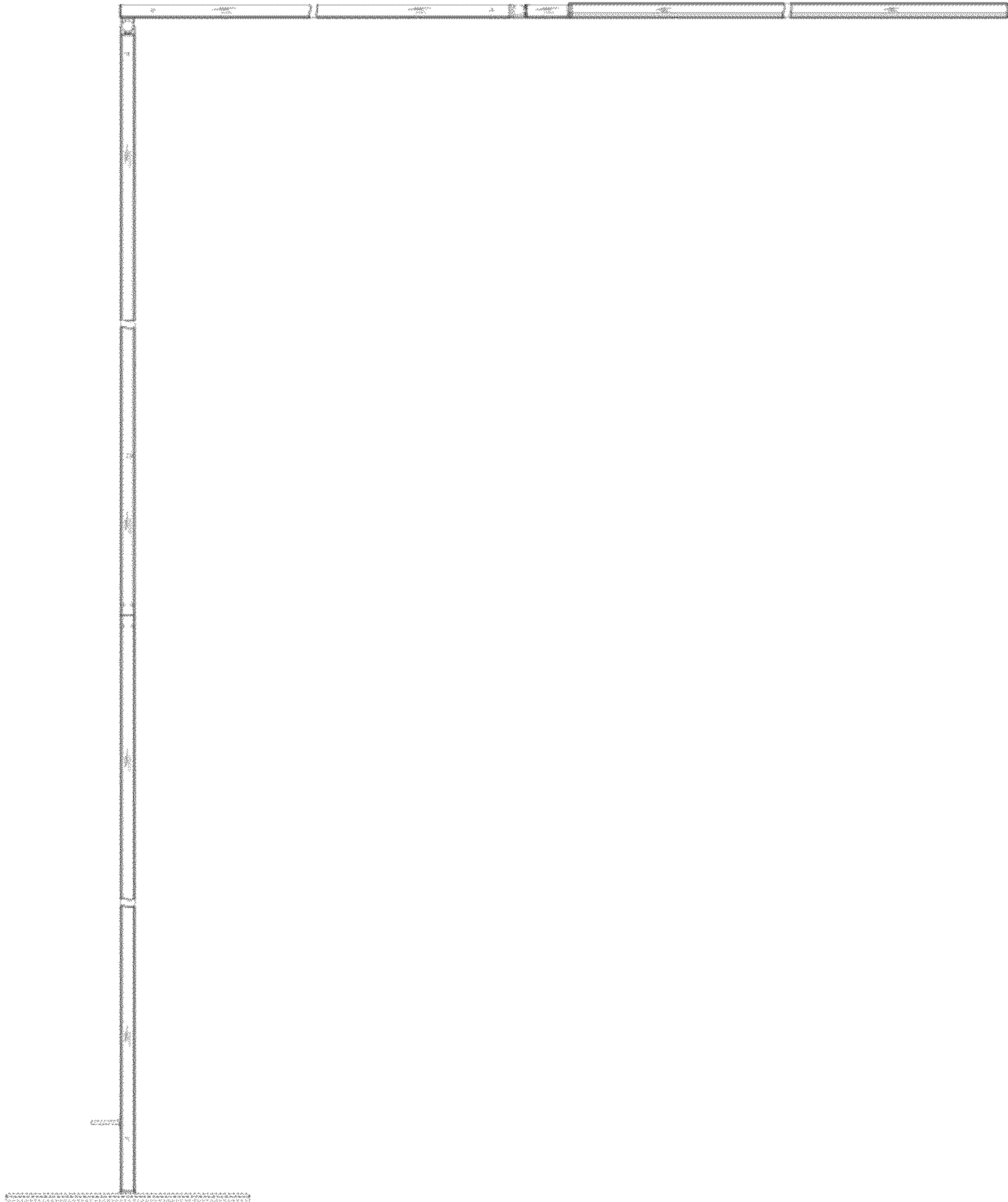


FIG. 3

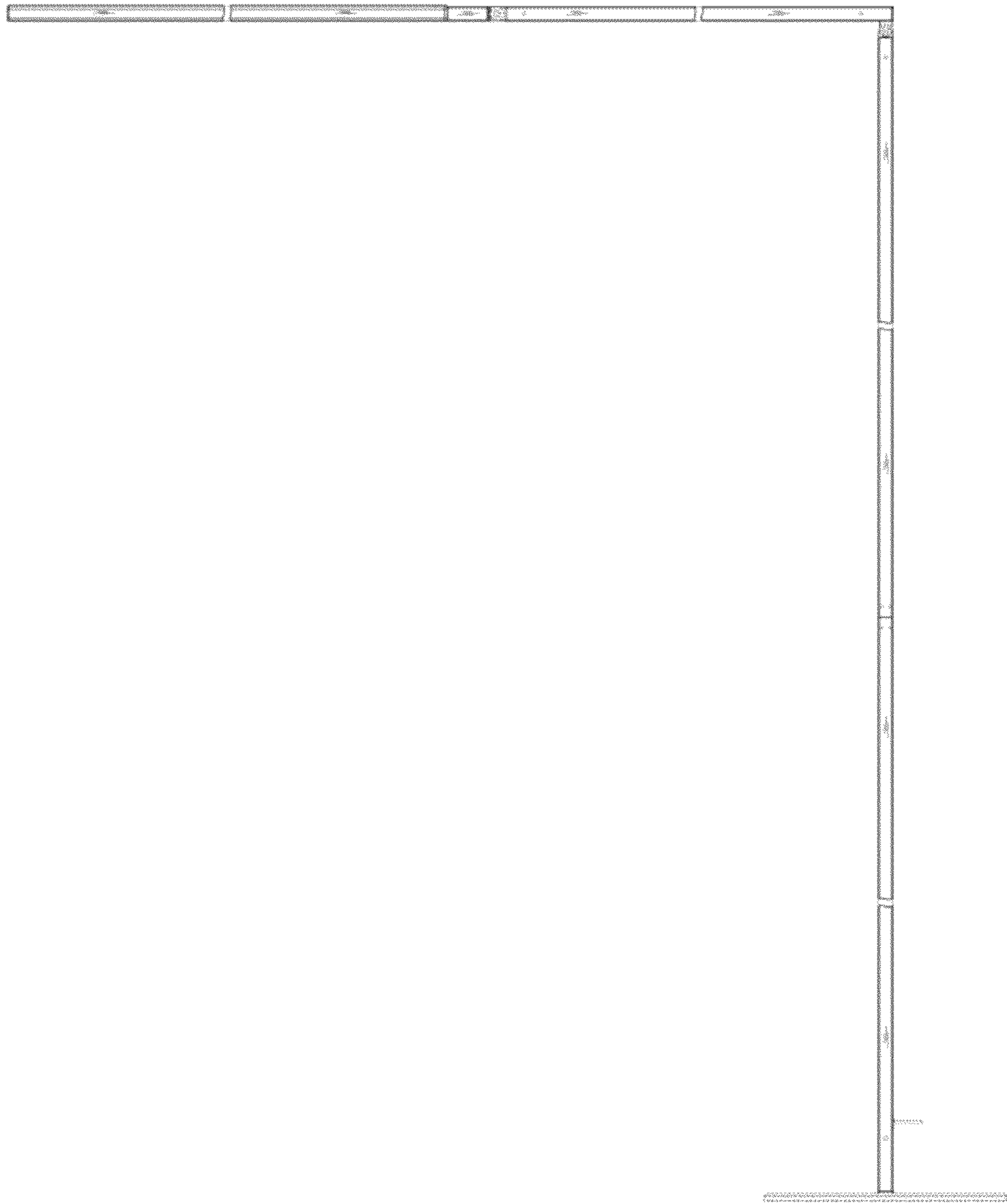


FIG. 4

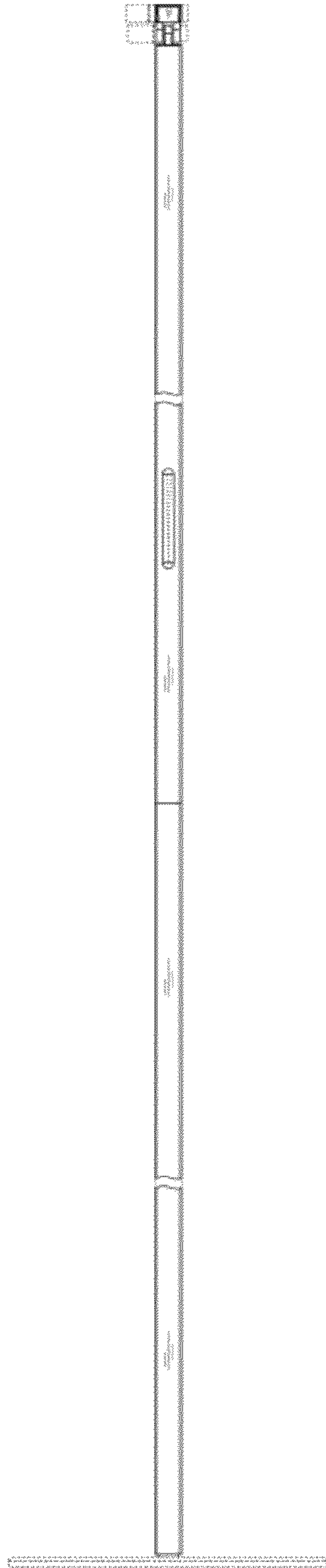


FIG. 5

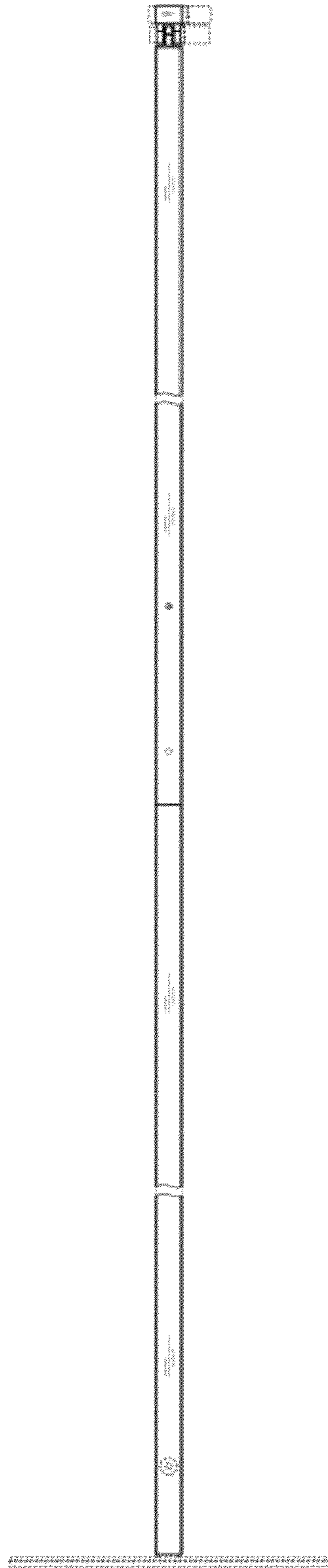


FIG. 6

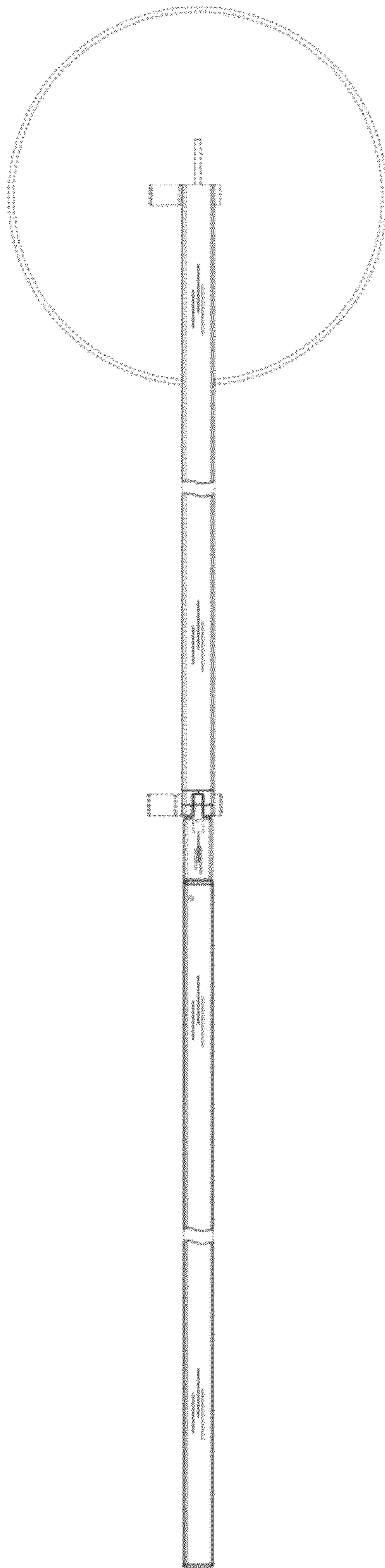


FIG. 7

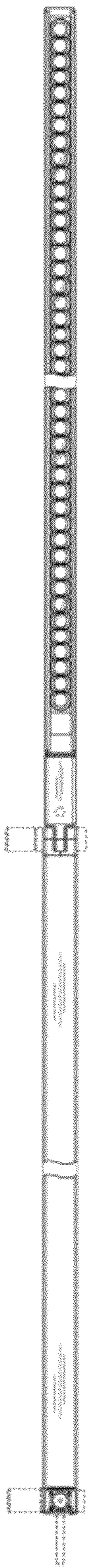


FIG. 8