

US00D662638S

(12) **United States Design Patent**
Kosche et al.

(10) **Patent No.:** **US D662,638 S**
(45) **Date of Patent:** **** Jun. 26, 2012**

(54) **LAMP**

(75) Inventors: **Henk Kosche**, Lüdenscheid (DE); **Alois Dworschak**, Lüdenscheid (DE)

(73) Assignee: **ERCO GmbH**, Luedenscheid (DE)

(**) Term: **14 Years**

(21) Appl. No.: **29/348,597**

(22) Filed: **Jan. 21, 2010**

(30) **Foreign Application Priority Data**

Sep. 1, 2009 (EM) 001161871-0001

(51) **LOC (9) Cl.** **26-05**

(52) **U.S. Cl.** **D26/63**

(58) **Field of Classification Search** D26/60-66,
D26/72, 81, 83-85, 87-89, 92; 362/145,
362/147, 148, 150, 280, 281, 284, 311.13,
362/404, 408, 427, 430, 371, 647, 648, 269,
362/270, 275, 277, 282, 283, 285, 287-289

See application file for complete search history.

(56) **References Cited**

U.S. PATENT DOCUMENTS

D225,261	S	*	11/1972	Houplain	D26/65
D225,262	S	*	11/1972	Houplain	D26/65
D336,533	S	*	6/1993	Hout	D26/63
D425,232	S	*	5/2000	Chang	D26/63
D475,479	S	*	6/2003	Lin	D26/64
D604,880	S	*	11/2009	Lovegrove	D26/63
7,686,483	B1	*	3/2010	Aubrey	362/371
D645,593	S	*	9/2011	Janssen	D26/63

* cited by examiner

Primary Examiner — Susan M Lee

Assistant Examiner — Linda G. Brooks

(74) *Attorney, Agent, or Firm* — Von Rohrscheidt Pate

(57) **CLAIM**

The ornamental design for a lamp, as shown and described.

DESCRIPTION

FIG. 1 is a side view of a lamp showing the new design.

FIG. 2 is a front view of the lamp of FIG. 1.

FIG. 3 is a top view of the lamp of FIG. 1.

FIG. 4 is a bottom view of the lamp of FIG. 1.

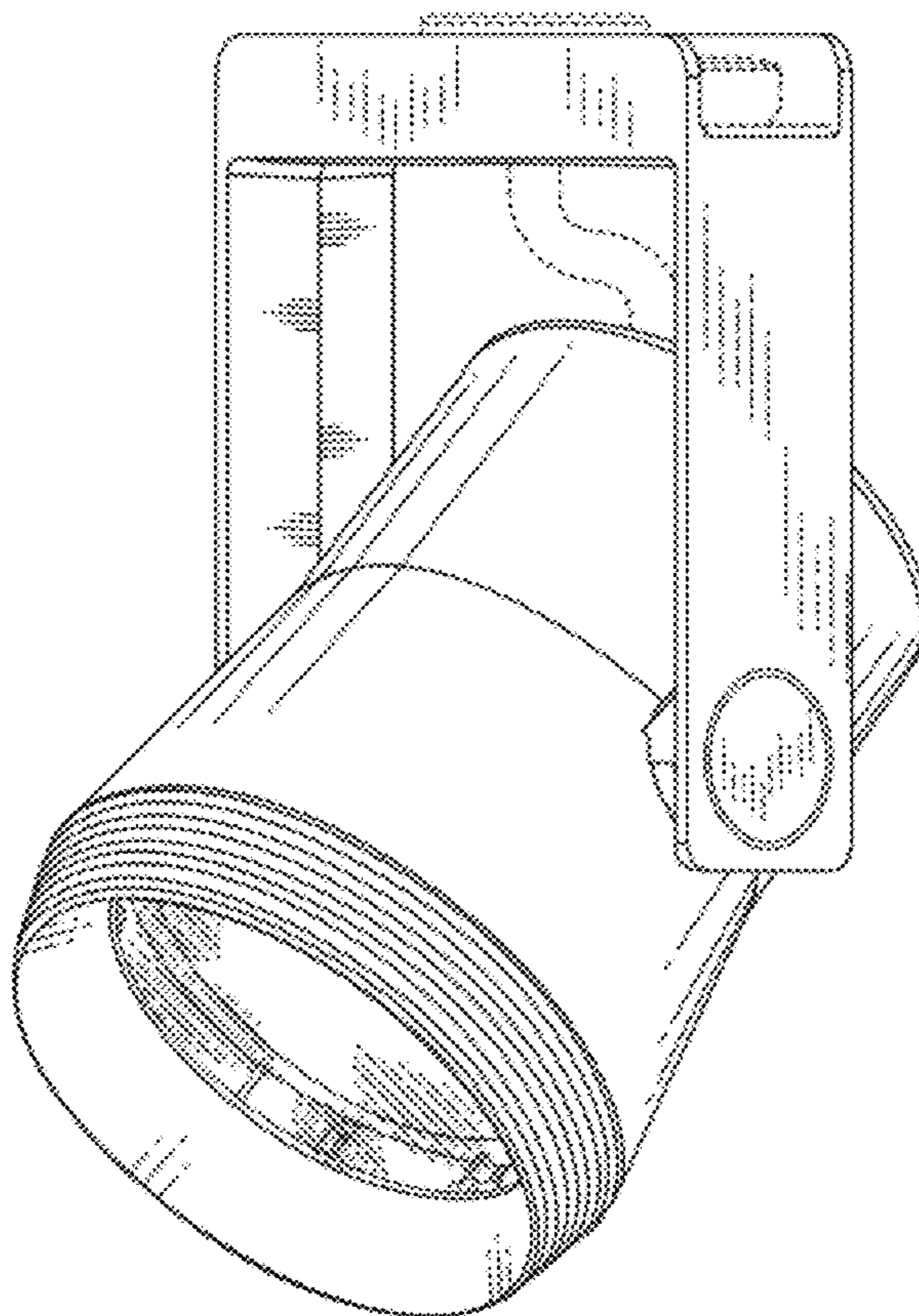
FIG. 5 is a 90° pivoted side view of the lamp of FIG. 1.

FIG. 6 is a 90° pivoted rear view of the lamp of FIG. 1; and,

FIG. 7 is a perspective view of the lamp of FIG. 1.

The broken lines show portions of the lamp that form no part of the claimed design.

1 Claim, 7 Drawing Sheets



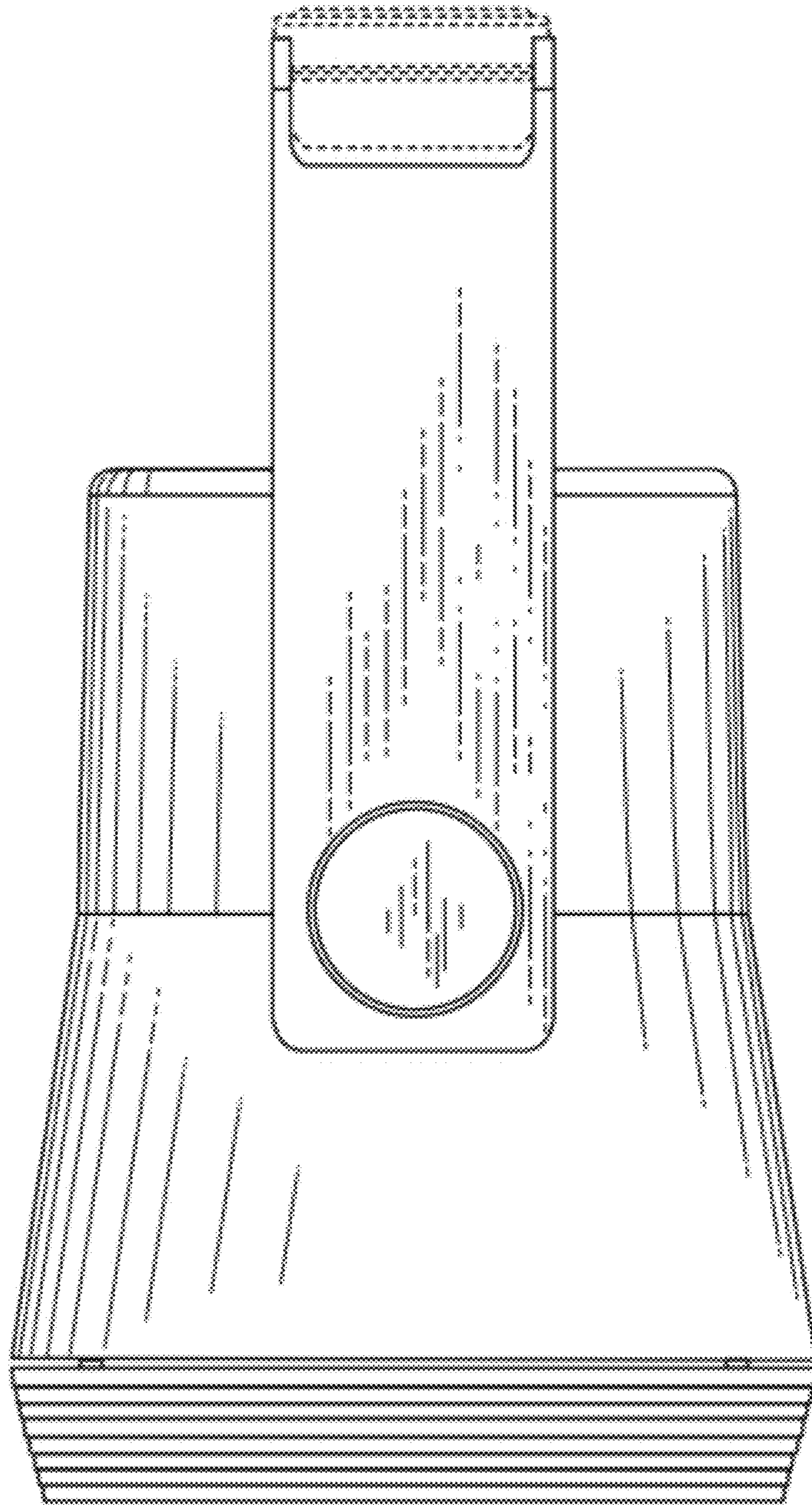


Fig. 1

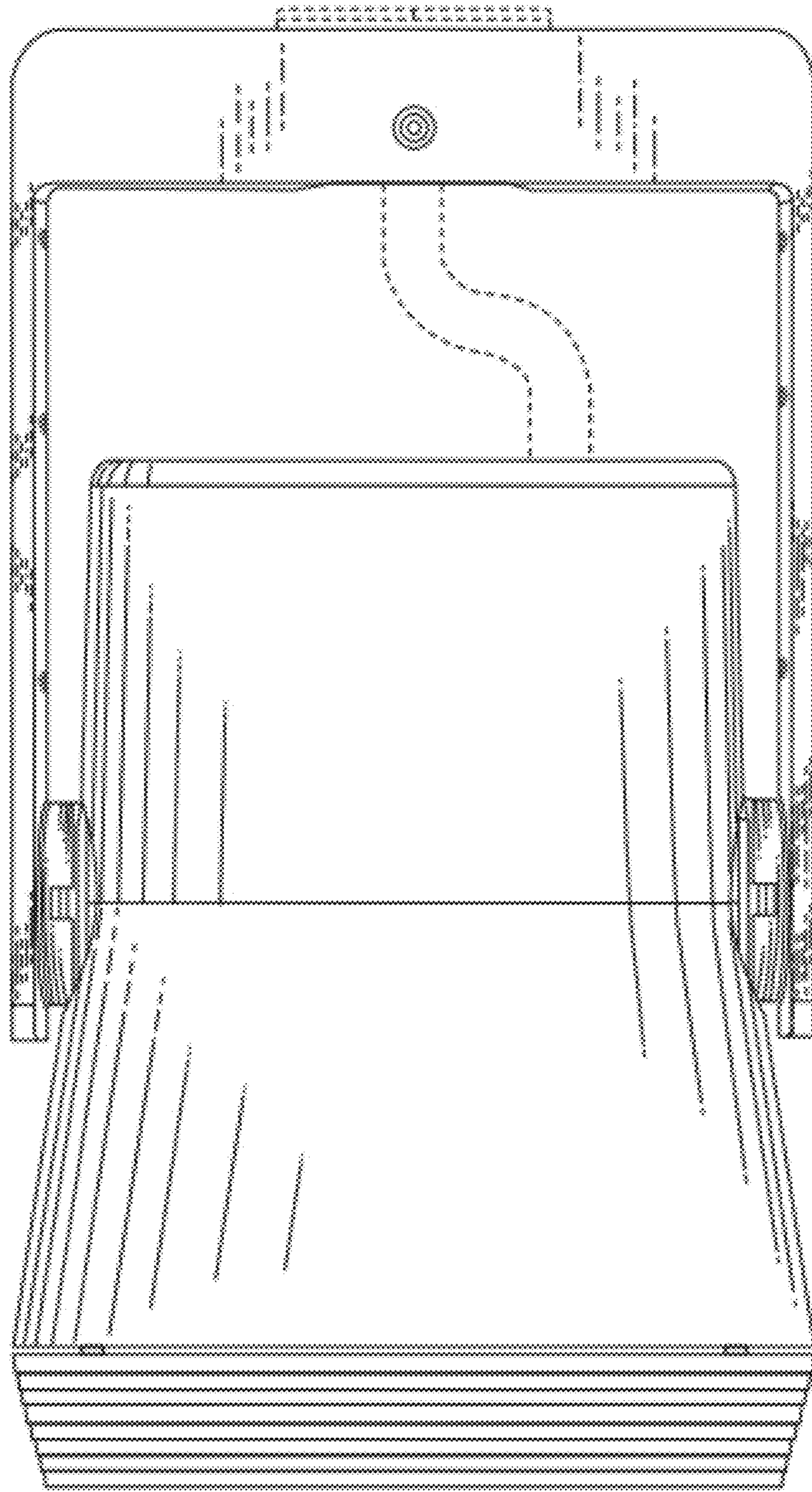


Fig. 2

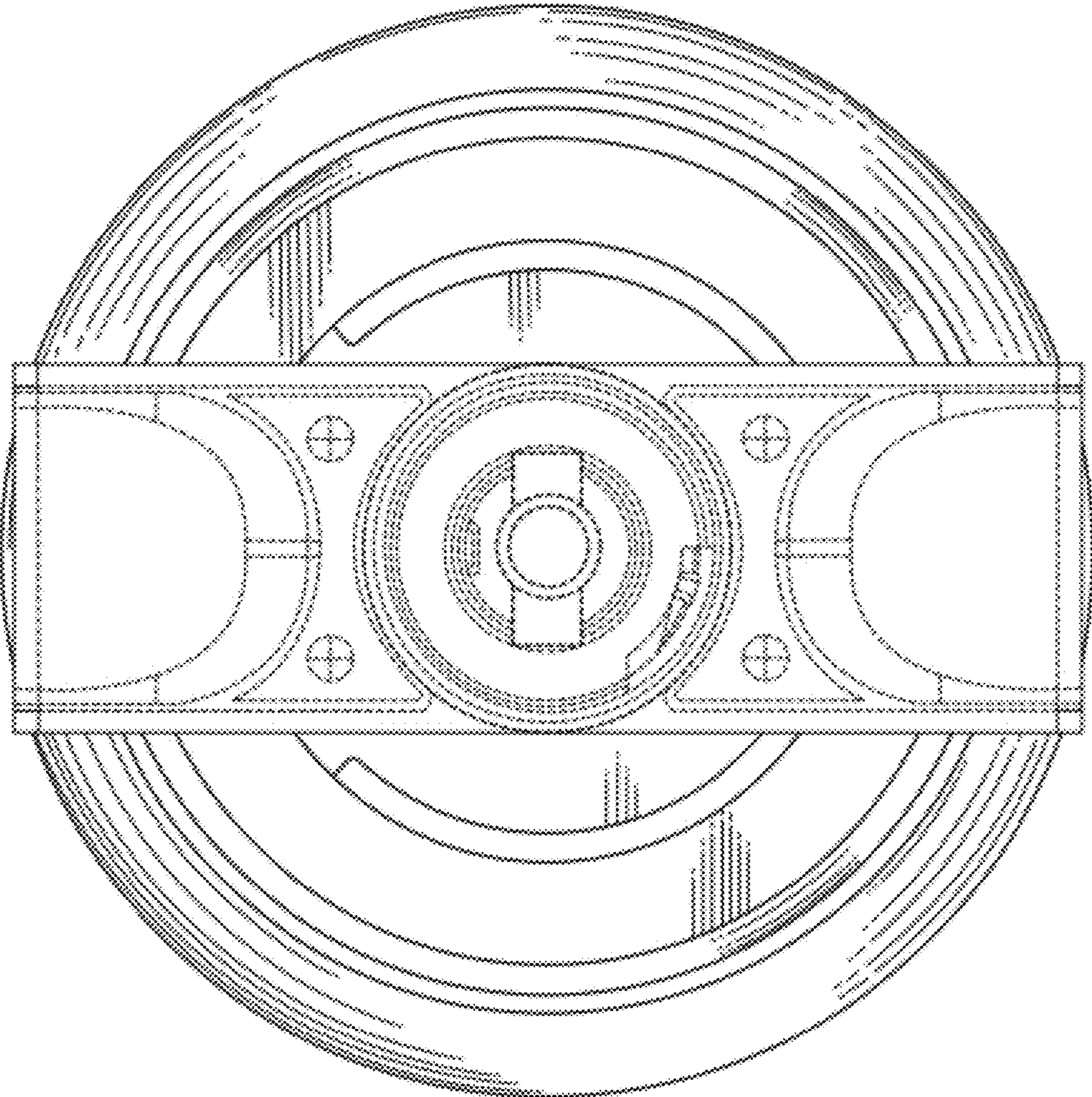


Fig. 3

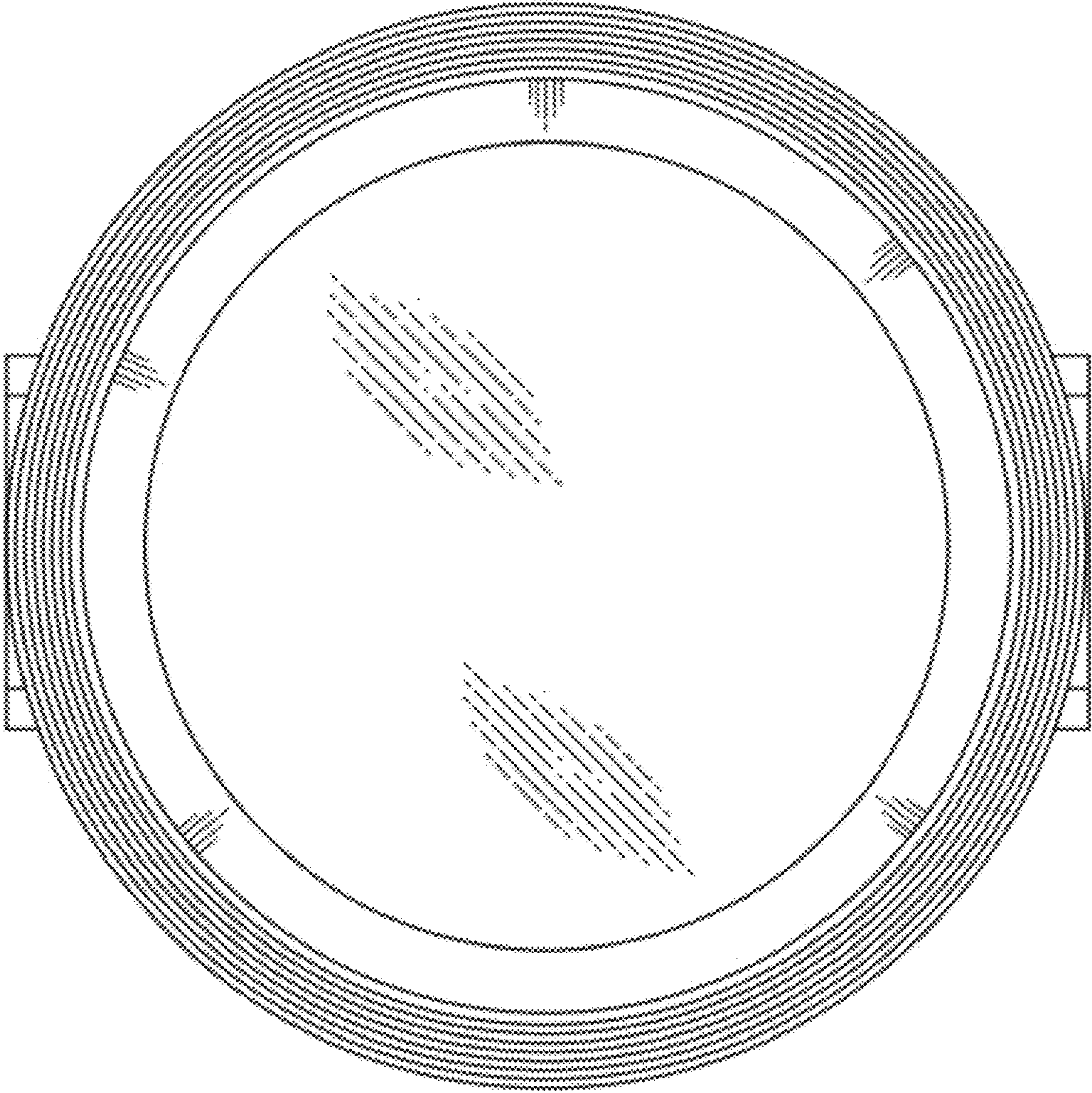


Fig. 4

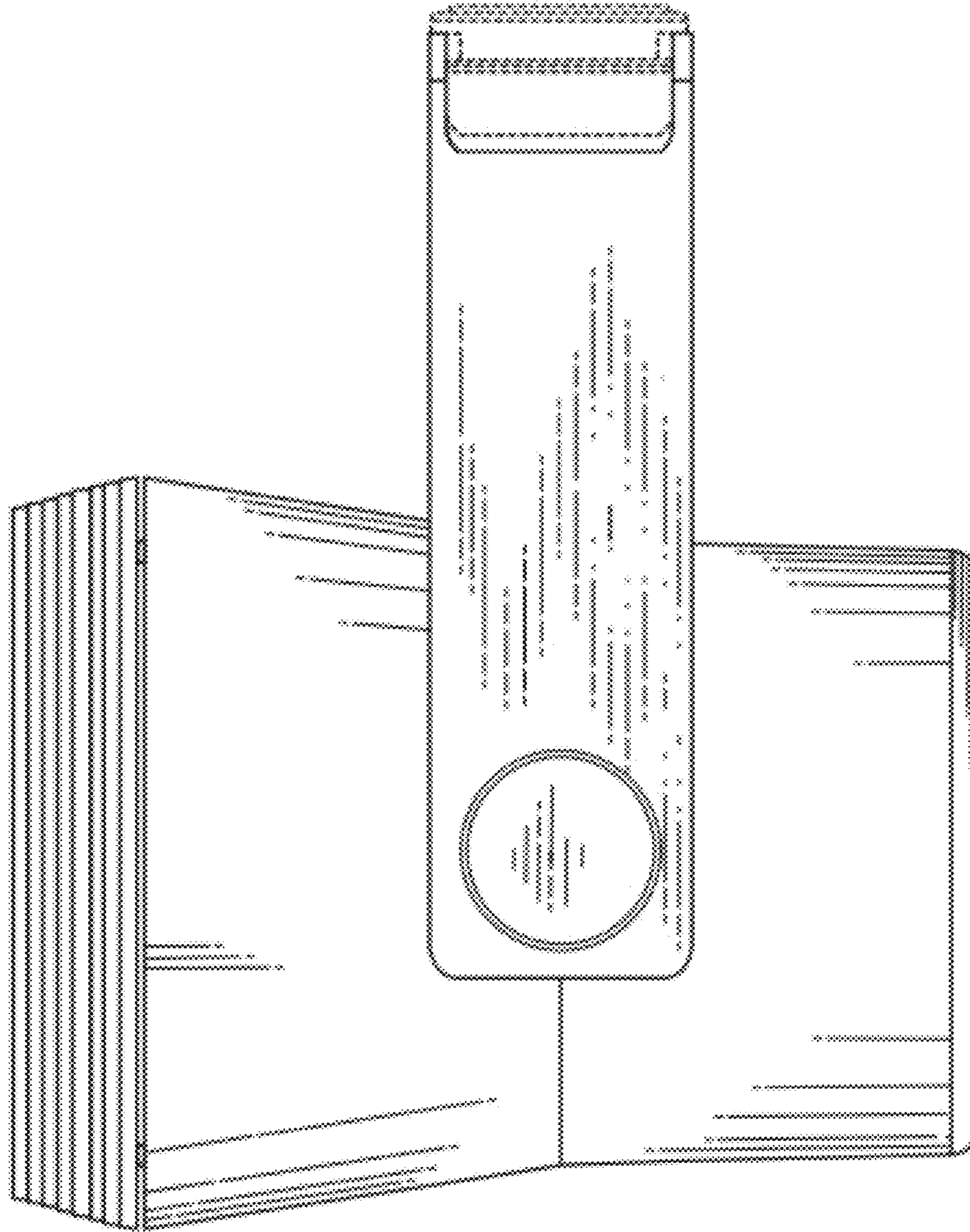


Fig. 5

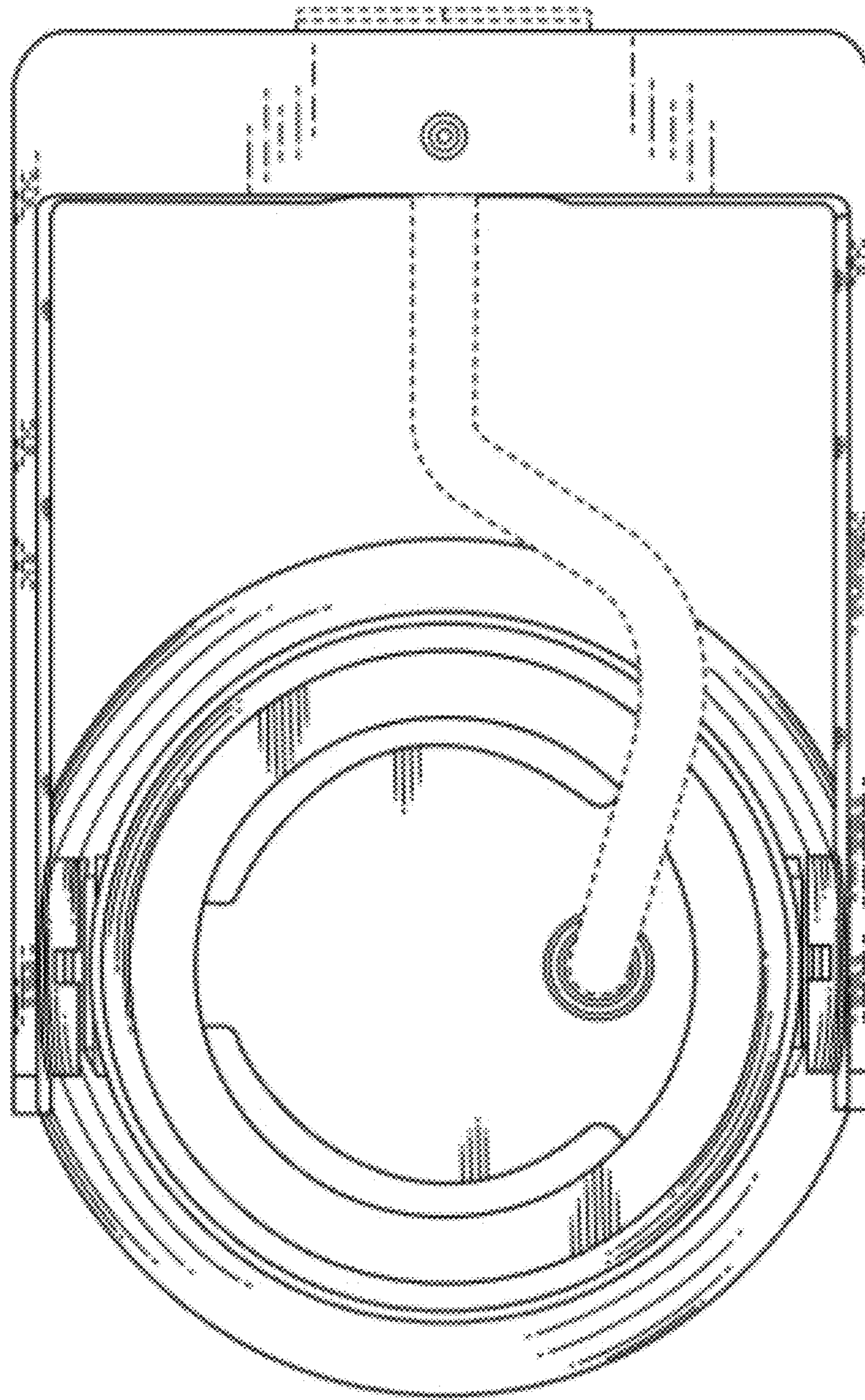


Fig. 6

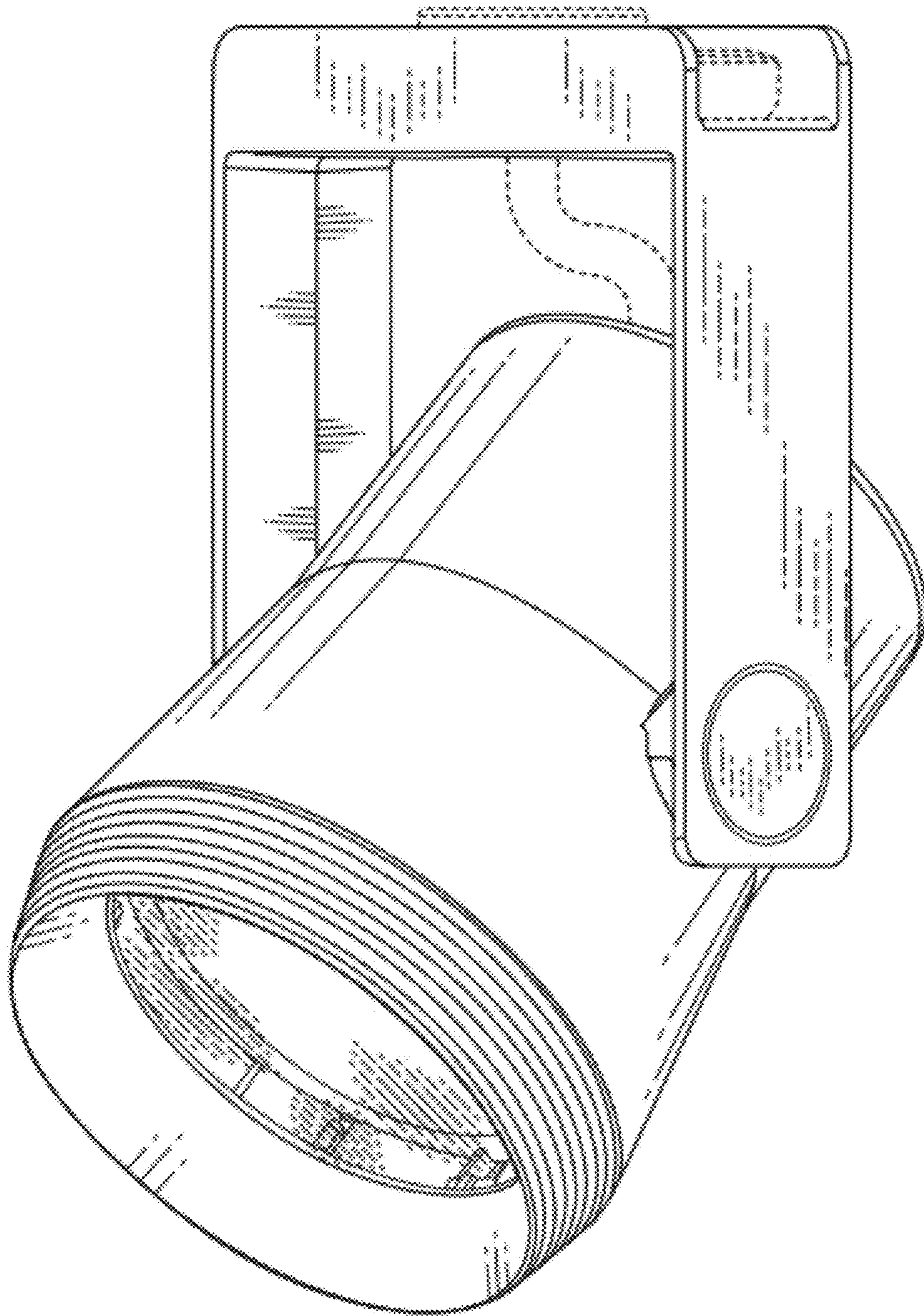


Fig. 7