



US00D662636S

(12) **United States Design Patent**
Katsaros

(10) **Patent No.:** **US D662,636 S**
(45) **Date of Patent:** **** Jun. 26, 2012**

(54) **WINDOW MOUNTED SOLAR LIGHT**

(76) Inventor: **Stephen Katsaros**, Denver, CO (US)

(**) Term: **14 Years**

(21) Appl. No.: **29/393,582**

(22) Filed: **Jun. 7, 2011**

(51) **LOC (9) Cl.** **26-05**

(52) **U.S. Cl.** **D26/60**

(58) **Field of Classification Search** D26/60-66,
D26/37, 38, 40, 42-44, 46, 72, 85, 51; 362/125,
362/145, 147, 157-159, 183, 190, 191, 198,
362/200, 640, 276, 310, 397, 430, 189, 196,
362/197, 199, 201-208, 647, 257, 267, 270,
362/277, 285; D10/116.1, 118, 118.2
See application file for complete search history.

(56) **References Cited**

U.S. PATENT DOCUMENTS

D197,681 S * 3/1964 Stevenson D10/118
D299,550 S * 1/1989 Payne D26/42
D316,684 S * 5/1991 Bonadonna D10/114.3
6,883,930 B2 * 4/2005 Saban et al. 362/200

D530,844 S * 10/2006 Tran D26/60
D573,287 S * 7/2008 Chung et al. D26/63
D615,676 S * 5/2010 Lee D26/37
D626,021 S * 10/2010 Kalbach D10/70
D634,039 S * 3/2011 Lee D26/24

* cited by examiner

Primary Examiner — Susan M Lee

Assistant Examiner — Linda G. Brooks

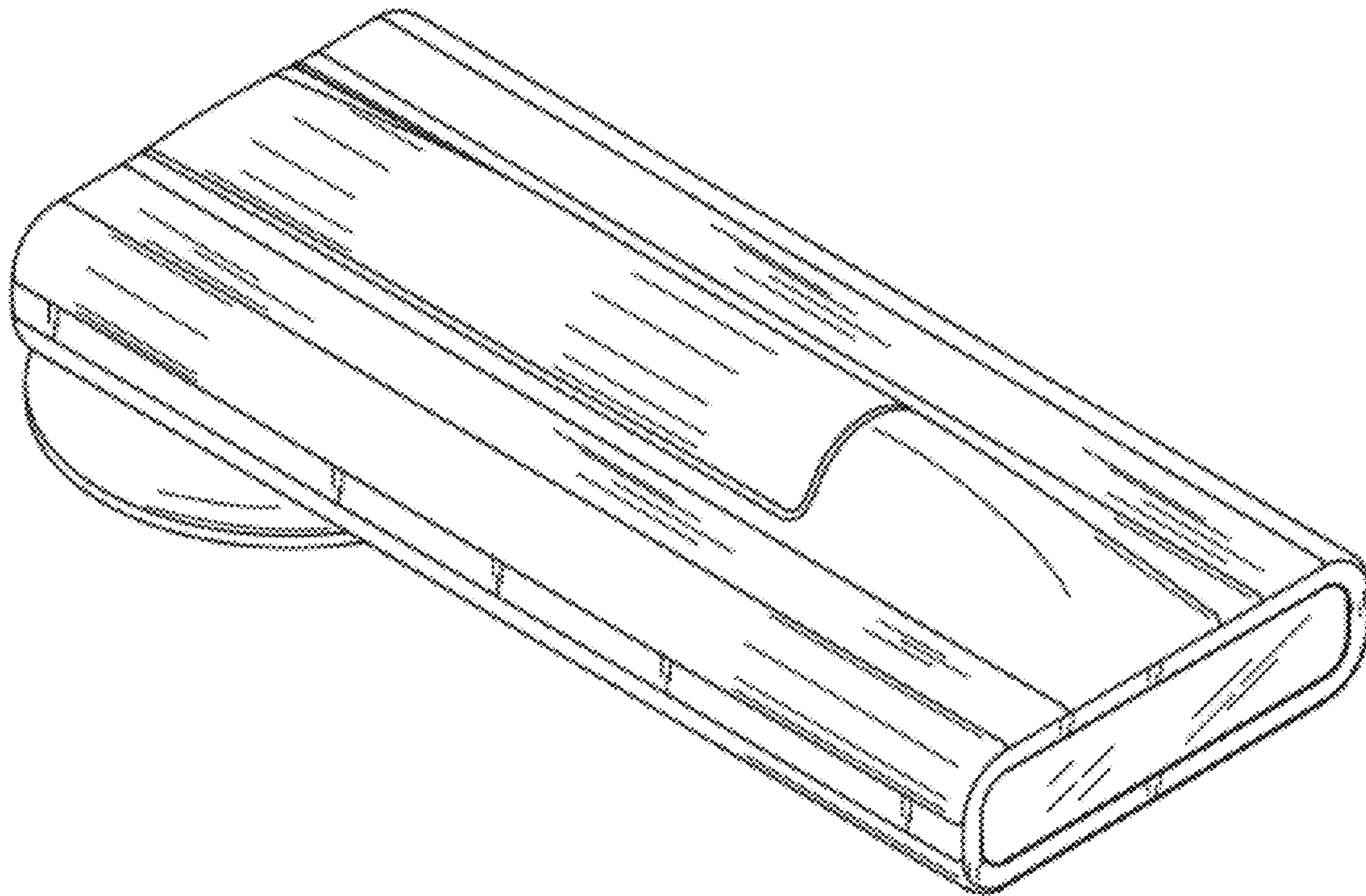
(57) **CLAIM**

The ornamental design for a window mounted solar light, as shown and described.

DESCRIPTION

FIG. 1 is an isometric view of a window mounted solar light showing my new design;
FIG. 2 is a front elevation view thereof;
FIG. 3 is a top plan view thereof;
FIG. 4 is a bottom plan view thereof;
FIG. 5 is a rear elevation view thereof;
FIG. 6 is a right elevation view thereof; and,
FIG. 7 is a left elevation view thereof.

1 Claim, 3 Drawing Sheets



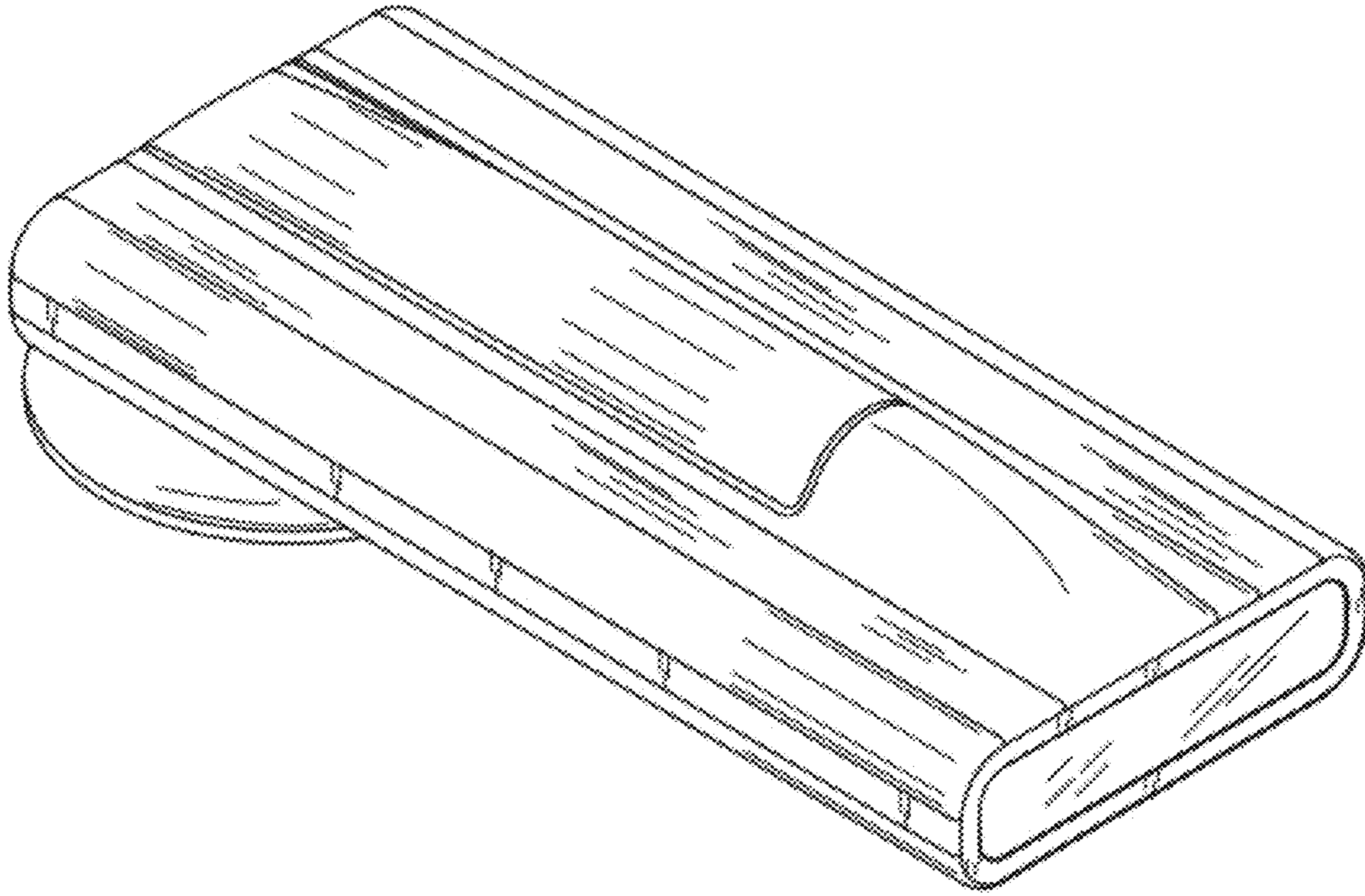


FIG. 1

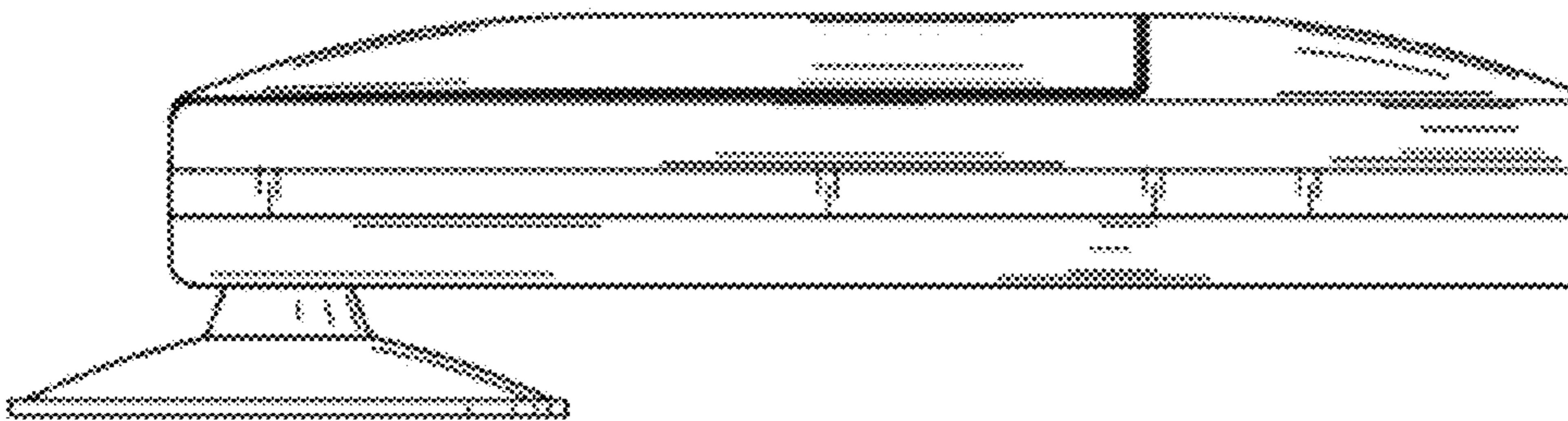


FIG. 2

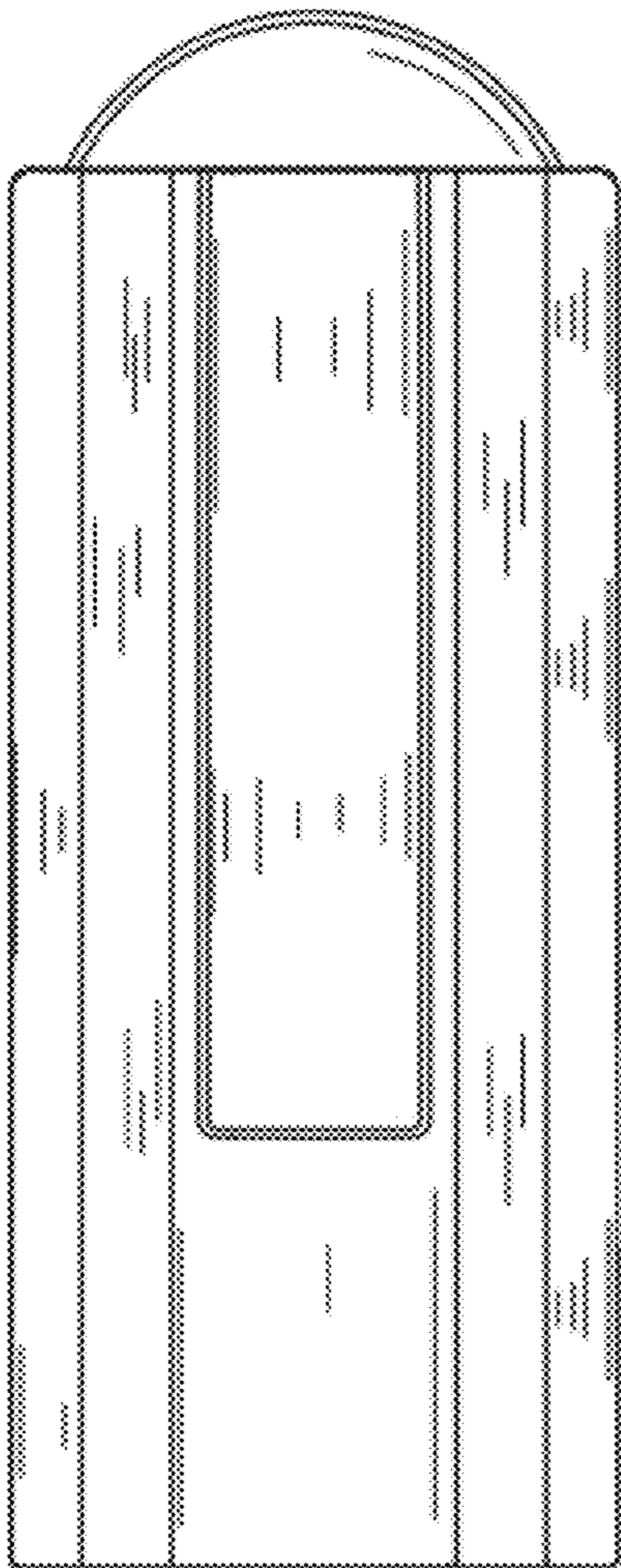


FIG. 3

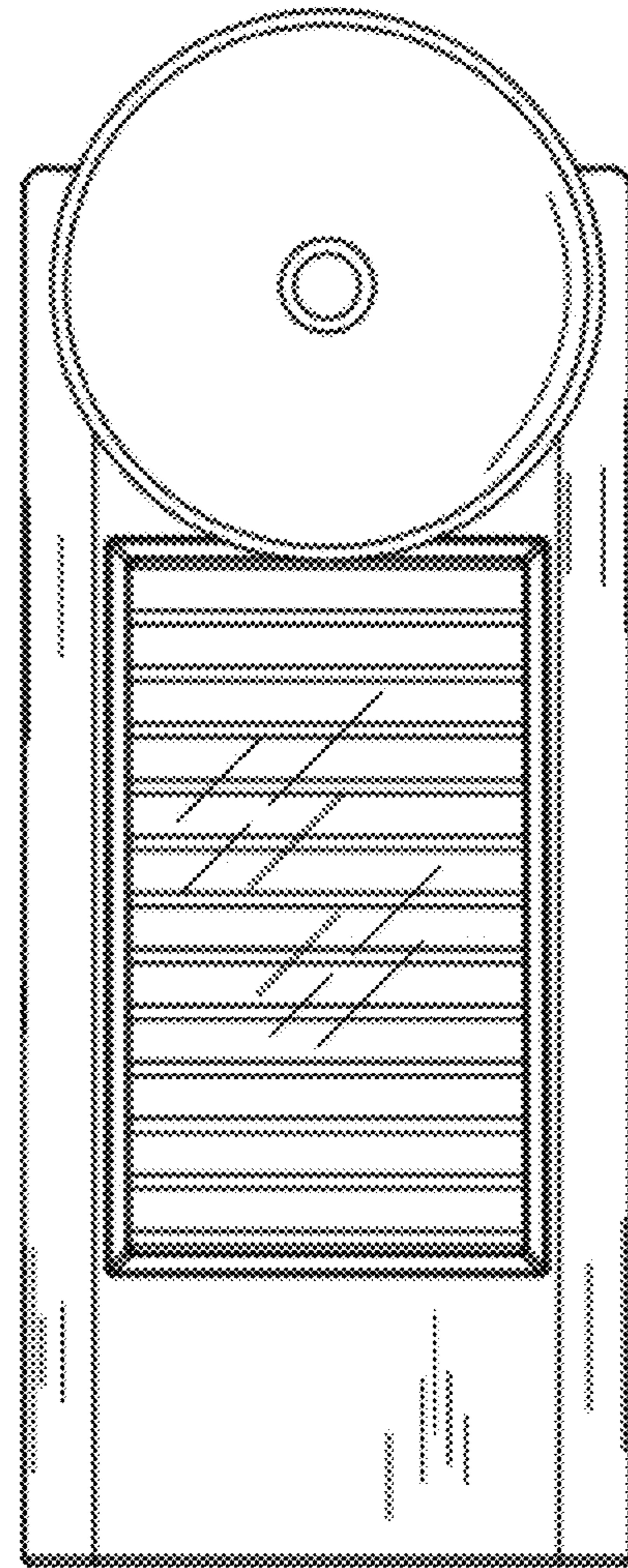


FIG. 4

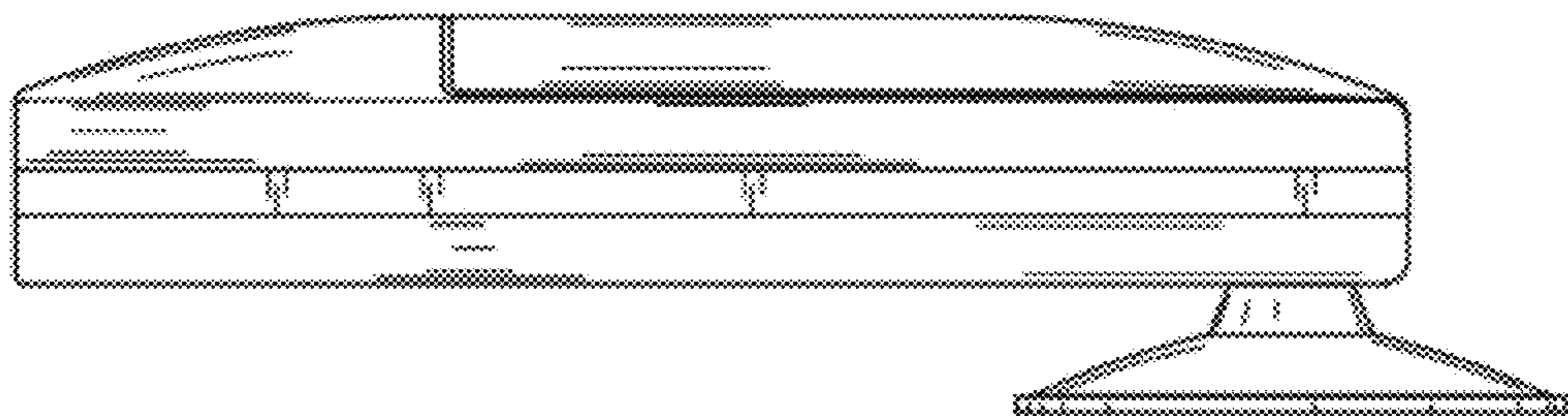


FIG. 5

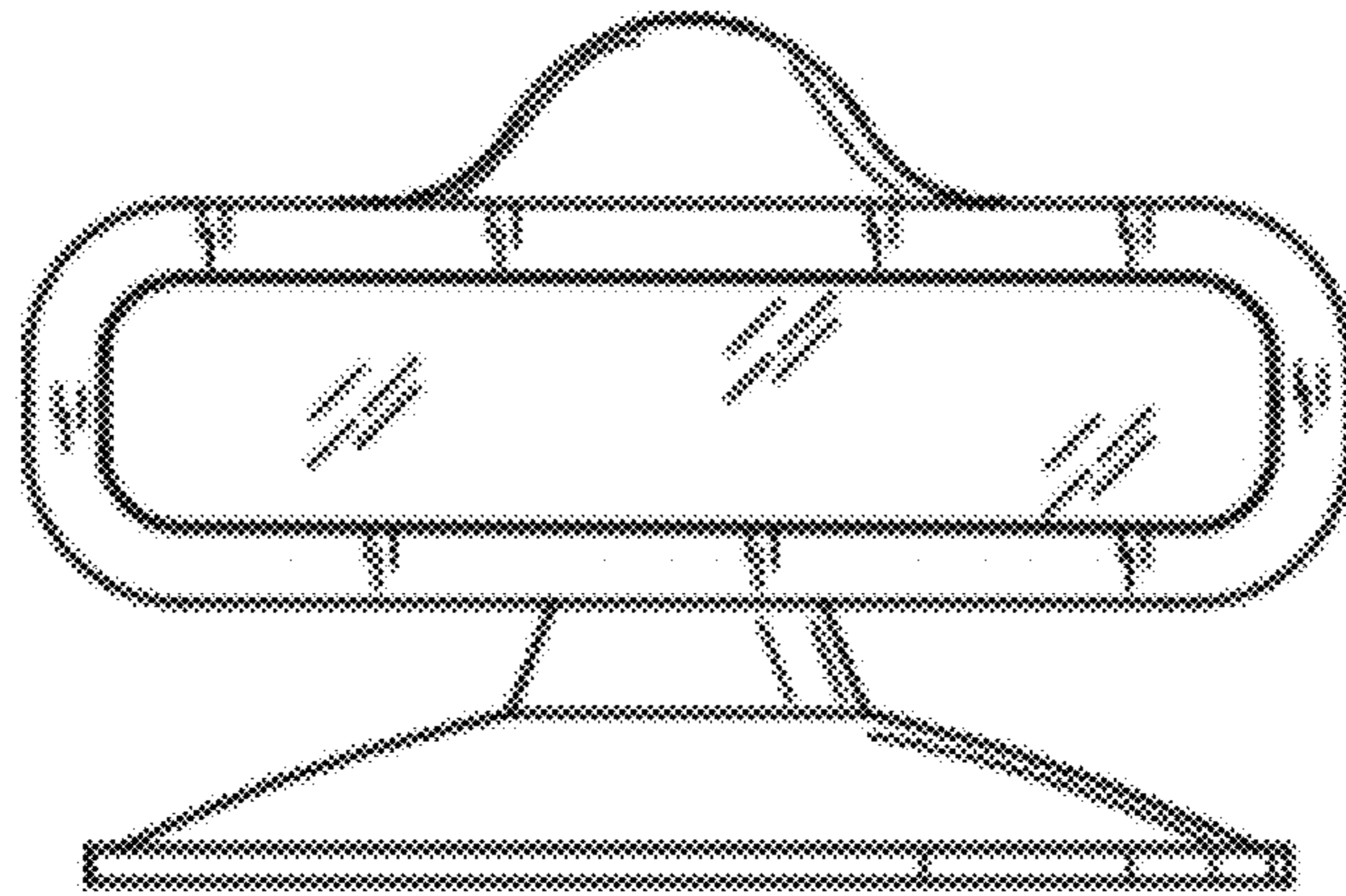


FIG. 6

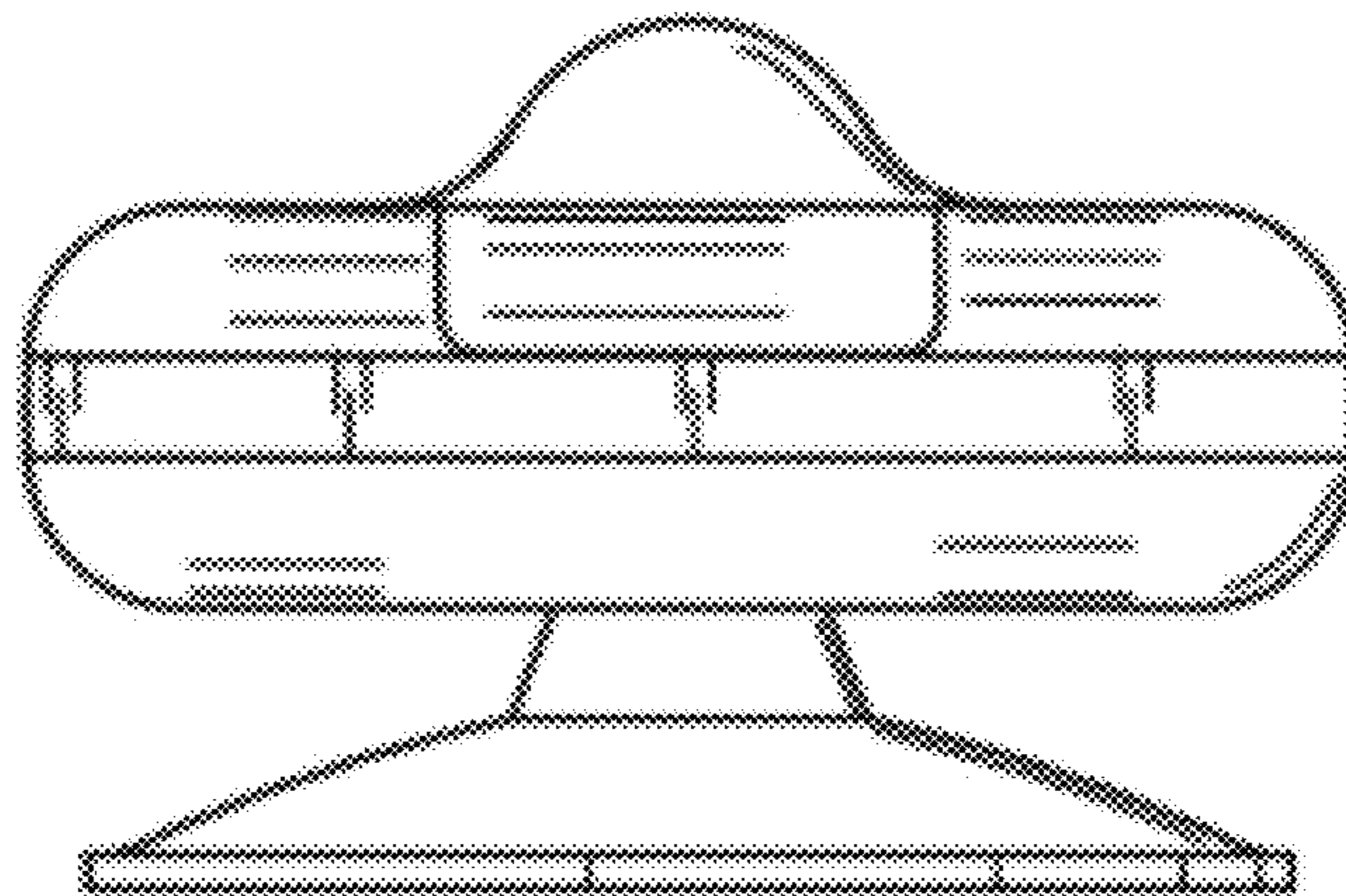


FIG. 7