

US00D662635S

(12) **United States Design Patent**
Sato et al.

(10) **Patent No.:** **US D662,635 S**
(45) **Date of Patent:** **** Jun. 26, 2012**

(54) **HEADLIGHT FOR AN AUTOMOBILE**
(75) Inventors: **Tamami Sato**, Hiroshima (JP); **Yasunori Kawano**, Hiroshima (JP)
(73) Assignee: **Mazda Motor Corporation** (JP)
(**) Term: **14 Years**
(21) Appl. No.: **29/397,098**
(22) Filed: **Jul. 12, 2011**

(30) **Foreign Application Priority Data**
Jan. 12, 2011 (JP) D2011-000413
(51) **LOC (9) Cl.** **26-06**
(52) **U.S. Cl.** **D26/28**
(58) **Field of Classification Search** D26/28-36;
362/459-468, 475-478, 485-487
See application file for complete search history.

(56) **References Cited**
U.S. PATENT DOCUMENTS
D556,349 S * 11/2007 Golden et al. D26/28
D560,291 S * 1/2008 Koyama D26/28
D561,358 S * 2/2008 Tachibana D26/28
D634,867 S * 3/2011 Frenzel et al. D26/28
FOREIGN PATENT DOCUMENTS
EM 000858840-0001 3/2008
EM 000924618-0001 6/2008

EM 001061212-0002 2/2009
EM 001652595-0001 1/2010
EM 001671959-0001 2/2010

OTHER PUBLICATIONS

RCD-Online; Audi AG; 000858840-0001; Mar. 3, 2008.
RCD-Online; Audi AG; 000924618-0001; Jun. 2, 2008.
RCD-Online; Audi AG; 001061212-0002; Feb. 2, 2009.
RCD-Online; Kia Motors Corporation 001652595-0001; Jan. 15, 2010.
RCD-Online; Audi AG; 001671959-0001; Feb. 23, 2010.

* cited by examiner

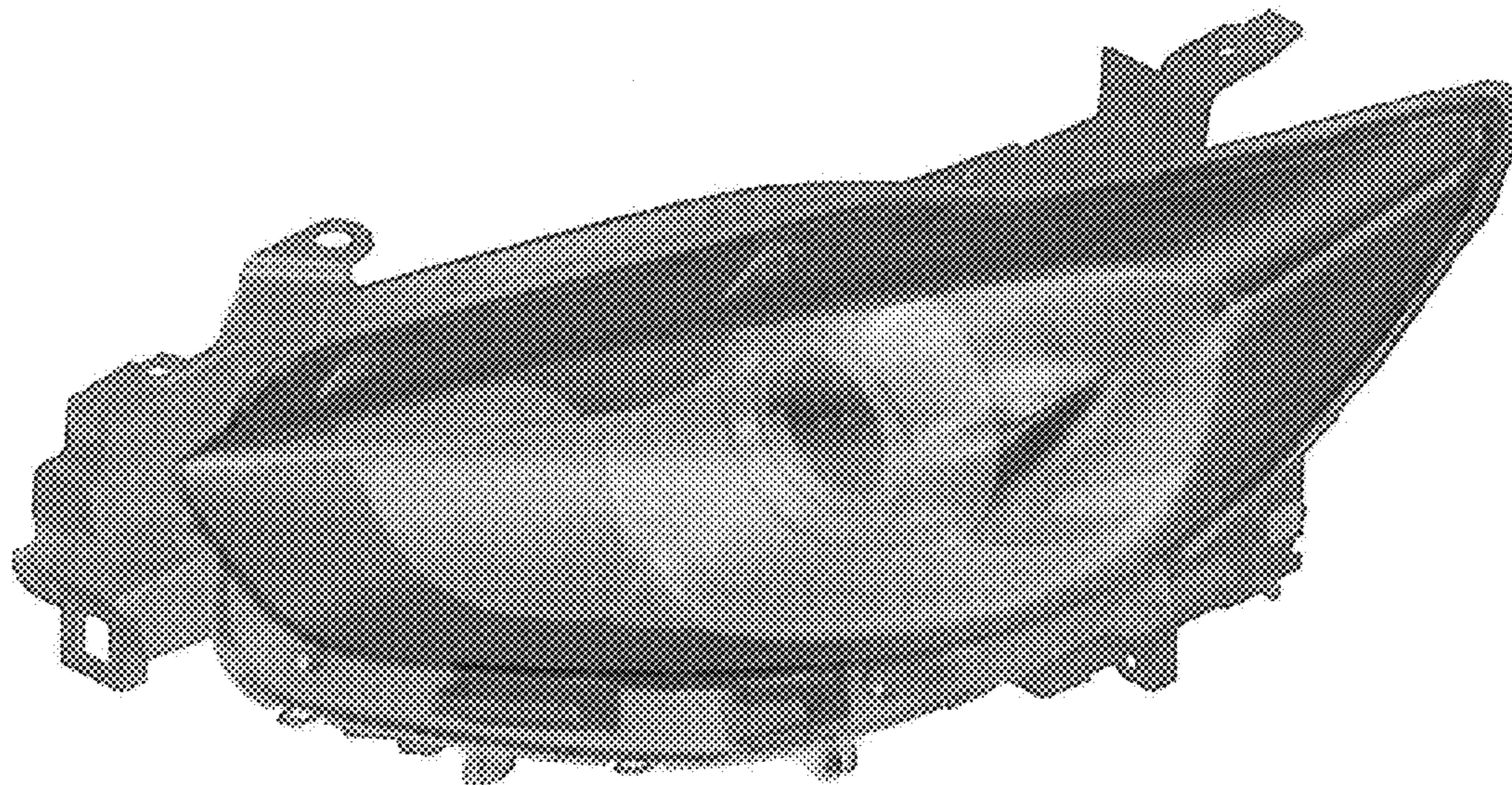
Primary Examiner — Marcus Jackson
(74) *Attorney, Agent, or Firm* — Studebaker & Brackett PC;
Donald R. Studebaker

(57) **CLAIM**
The ornamental design for a headlight for an automobile, as shown and described.

DESCRIPTION

FIG. 1 is a first perspective view of a headlight for an automobile;
FIG. 2 is a second perspective view thereof;
FIG. 3 is a front view thereof;
FIG. 4 is a rear view thereof;
FIG. 5 is a left side view thereof;
FIG. 6 is a right side view thereof;
FIG. 7 is a top view thereof; and,
FIG. 8 is a bottom view thereof.

1 Claim, 4 Drawing Sheets



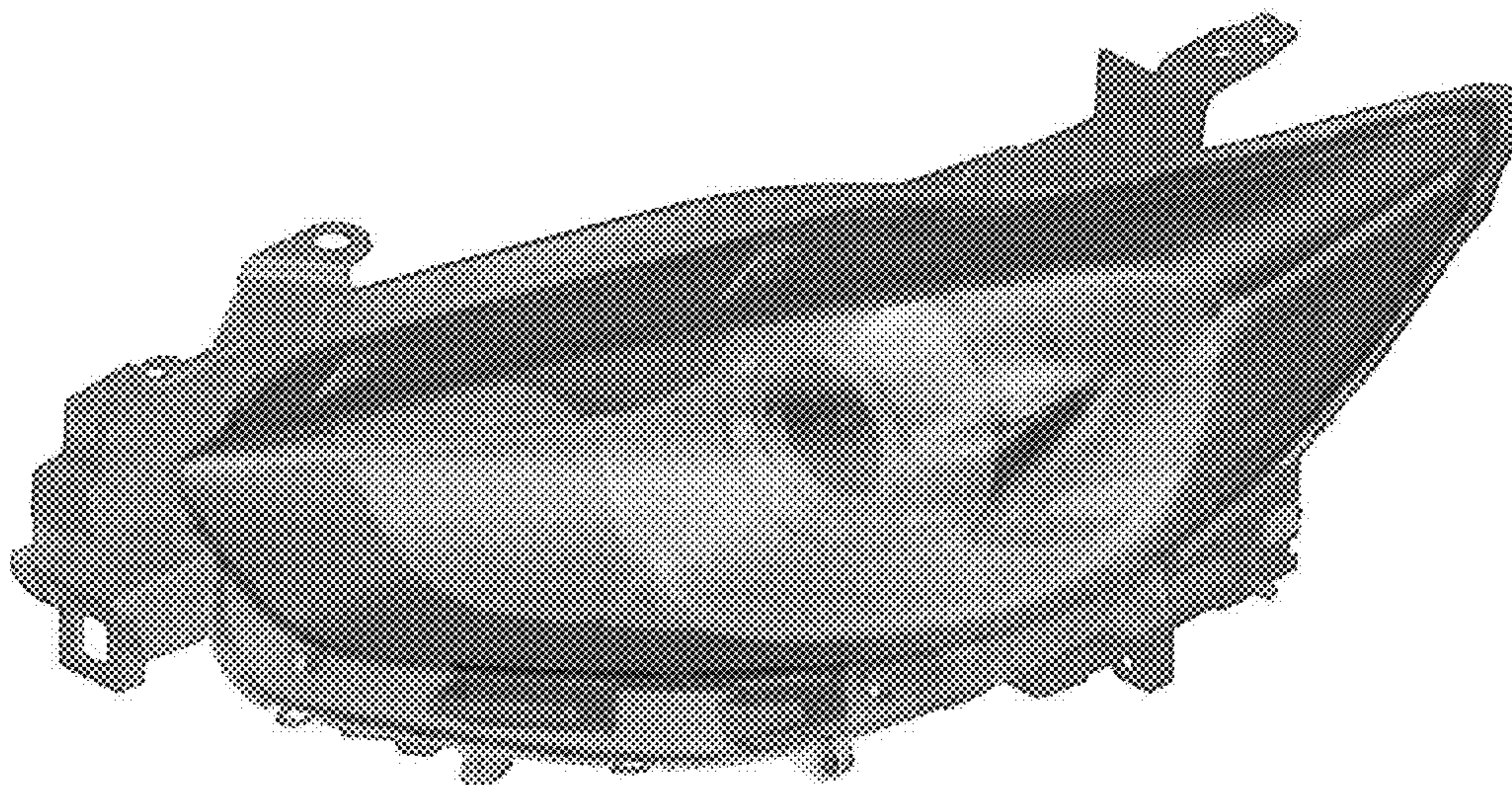


FIG.1

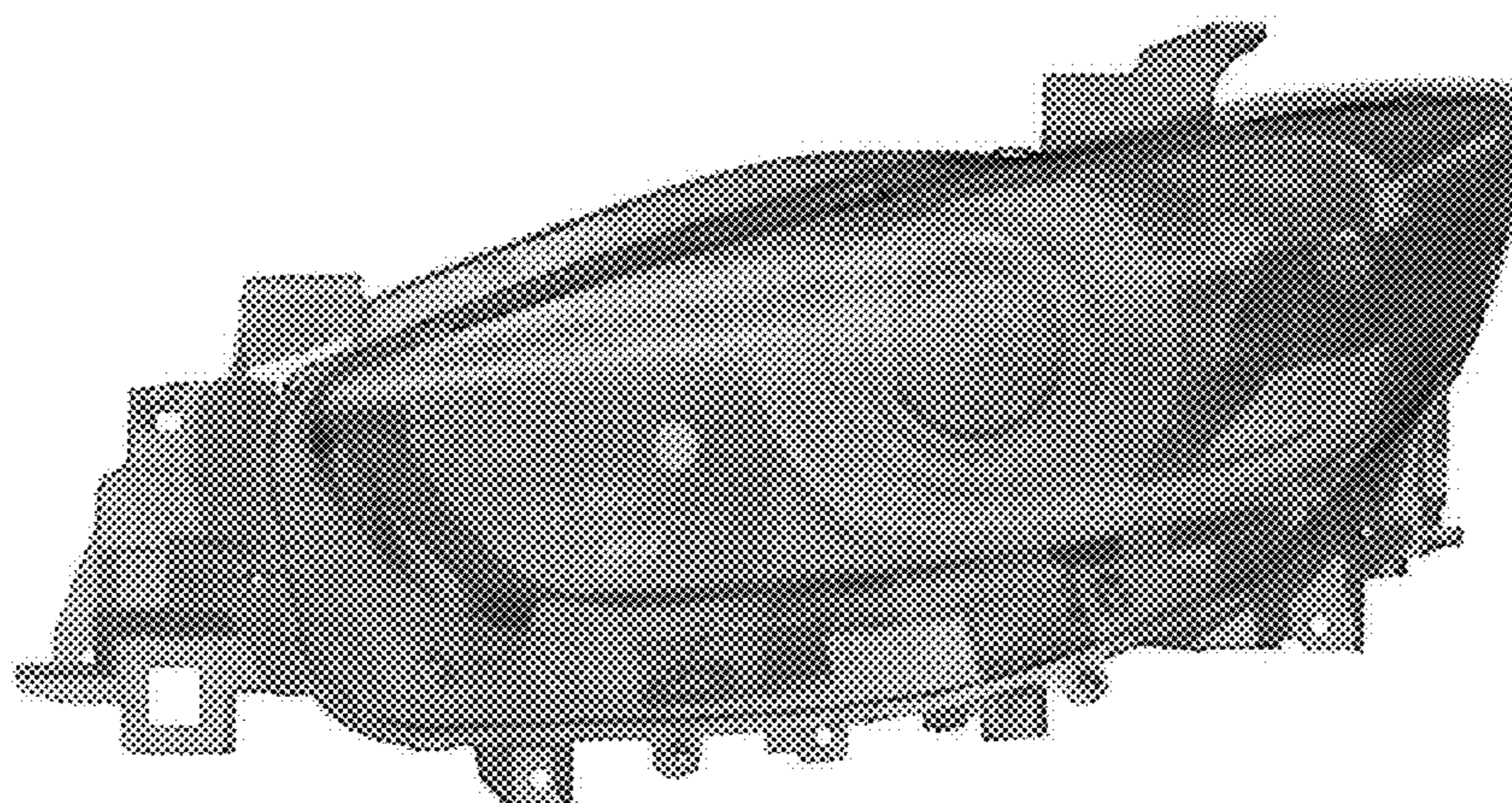


FIG.2

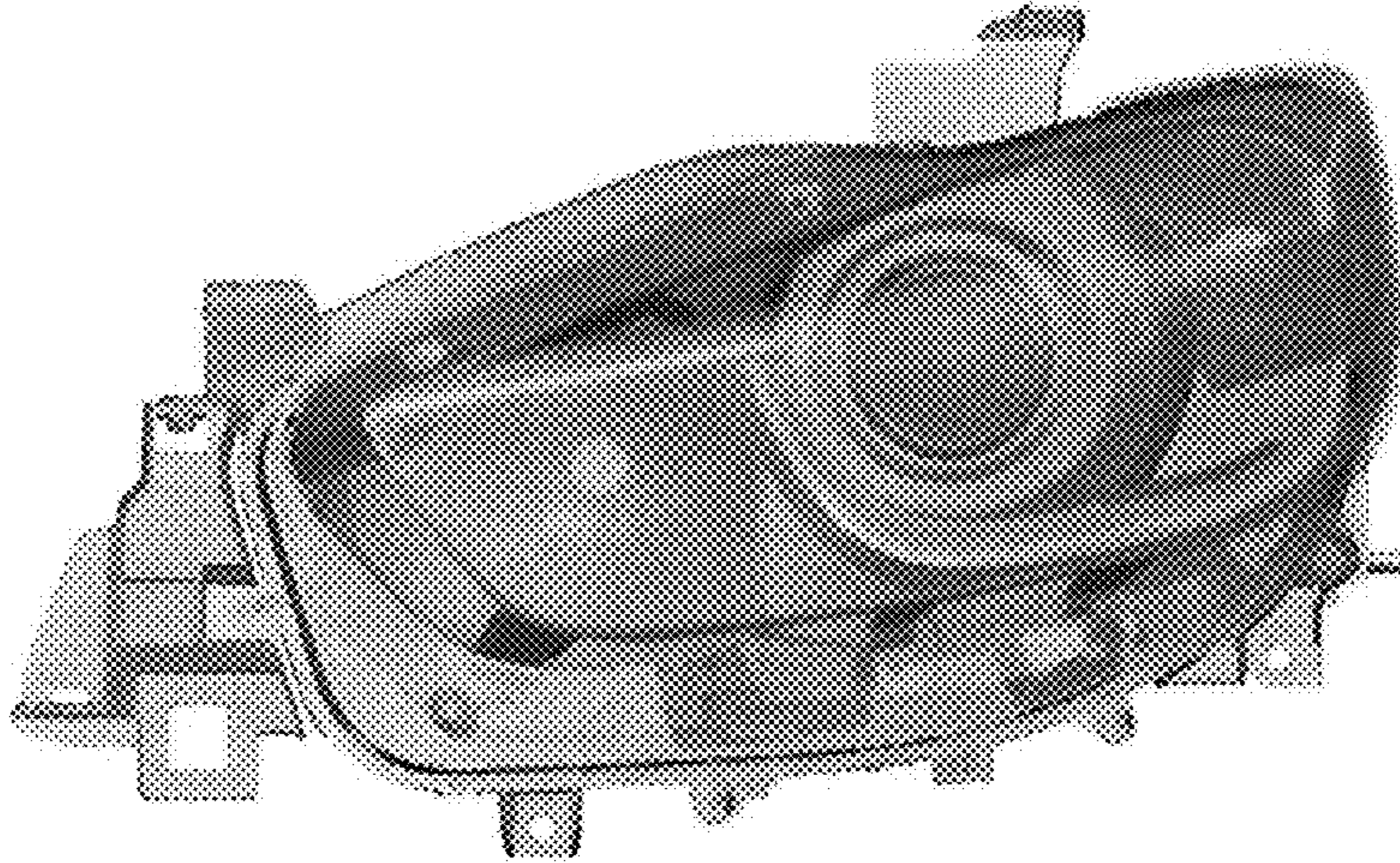


FIG.3

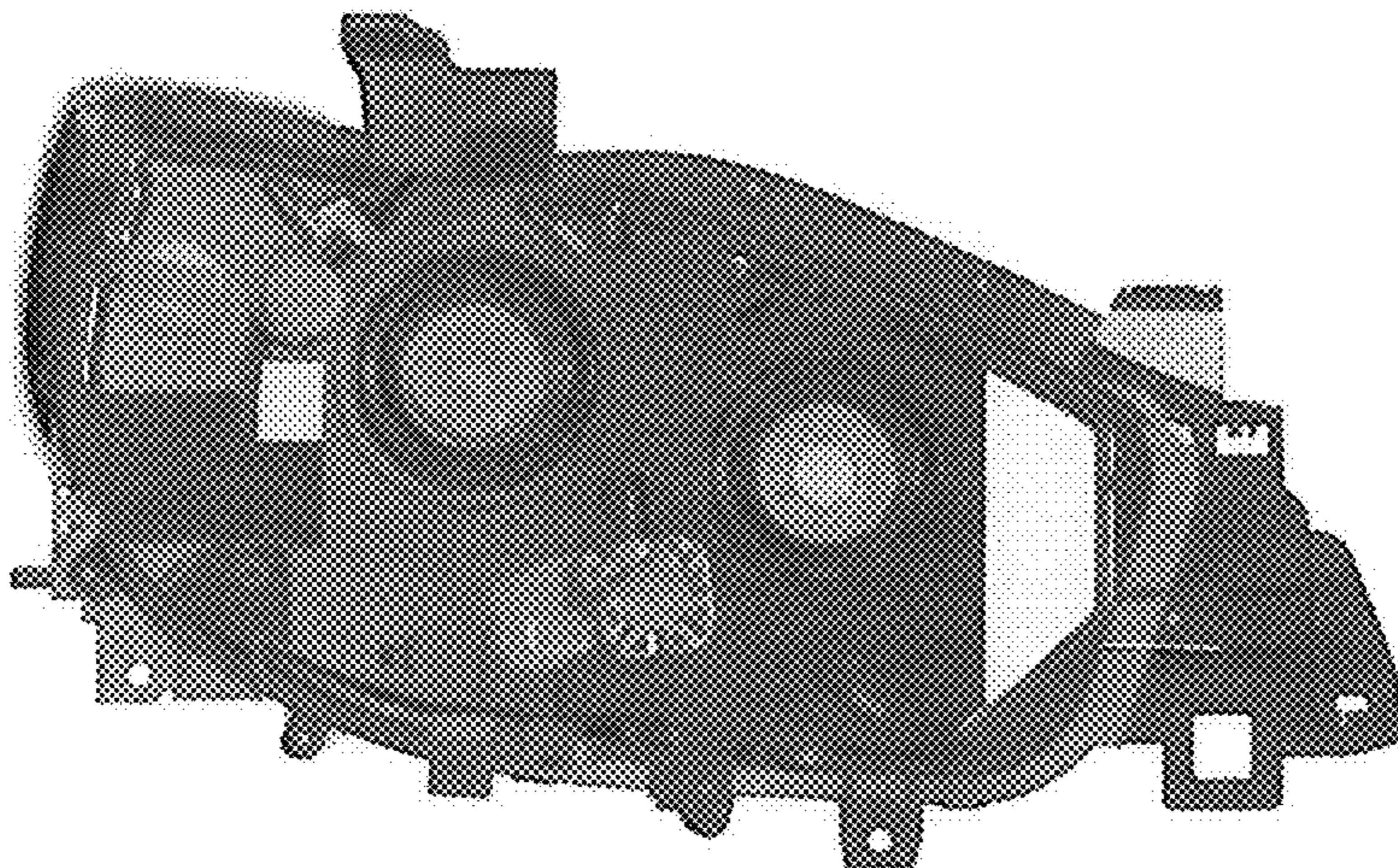


FIG.4

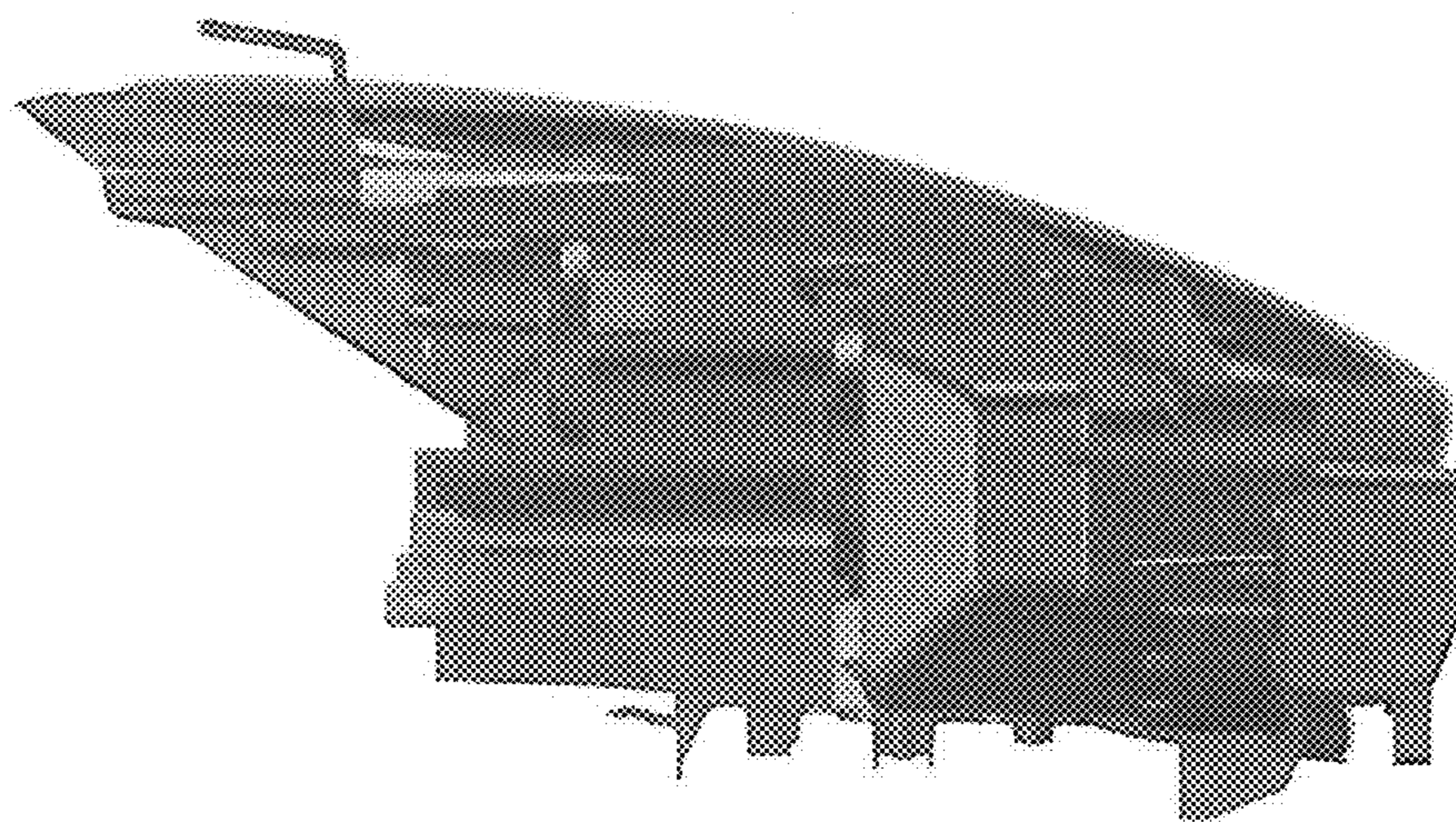


FIG.5

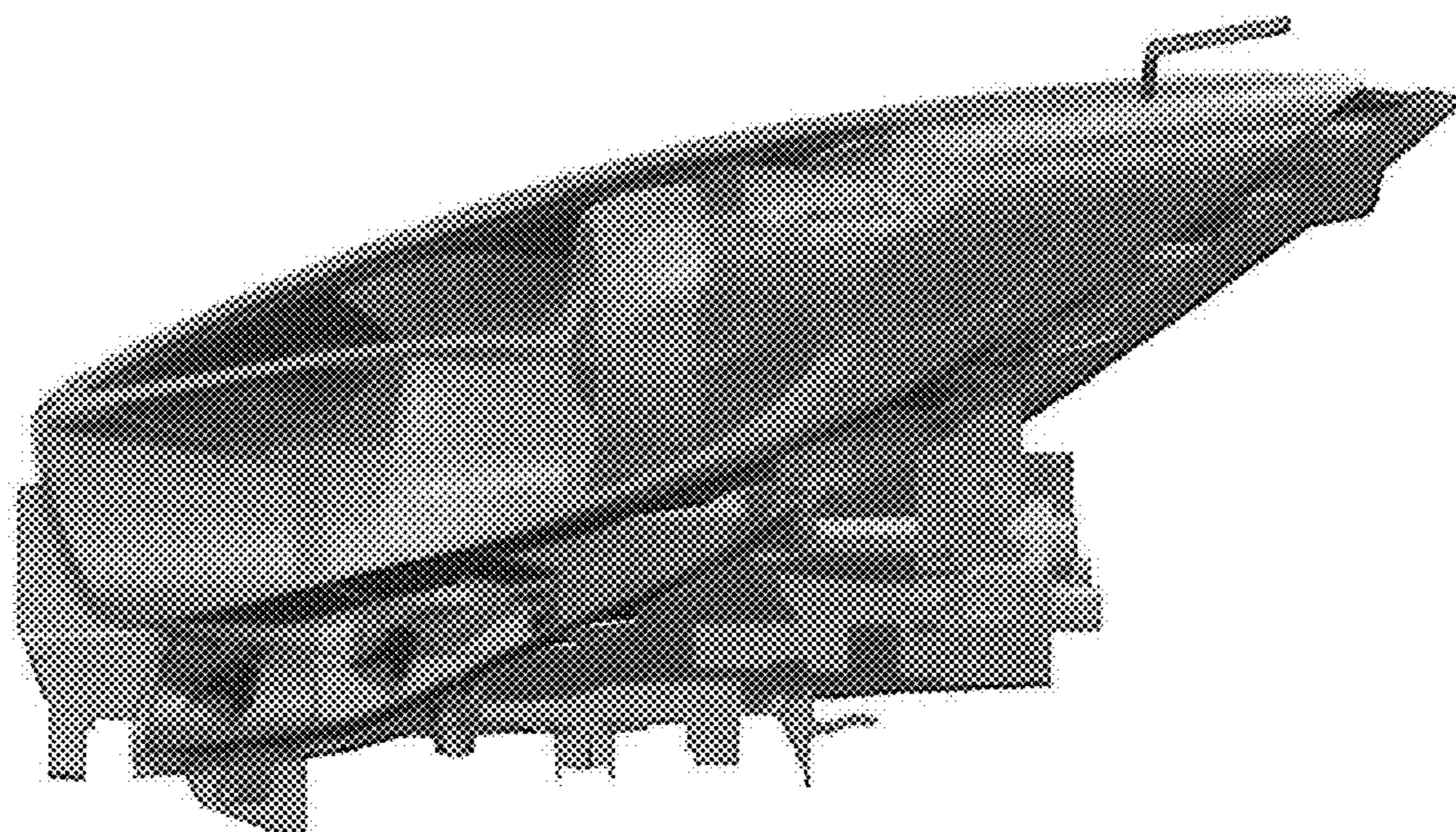


FIG.6

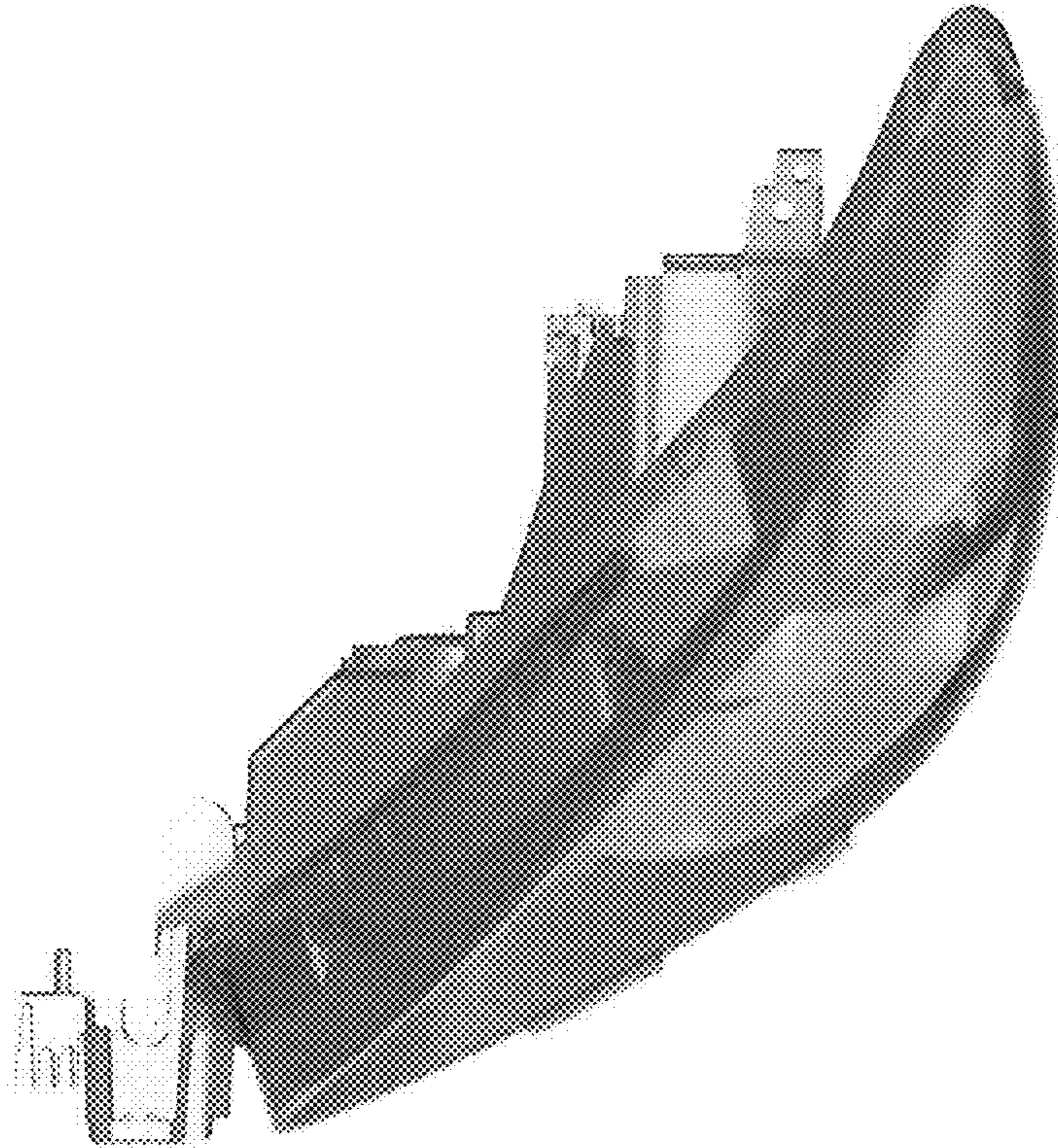


FIG.7

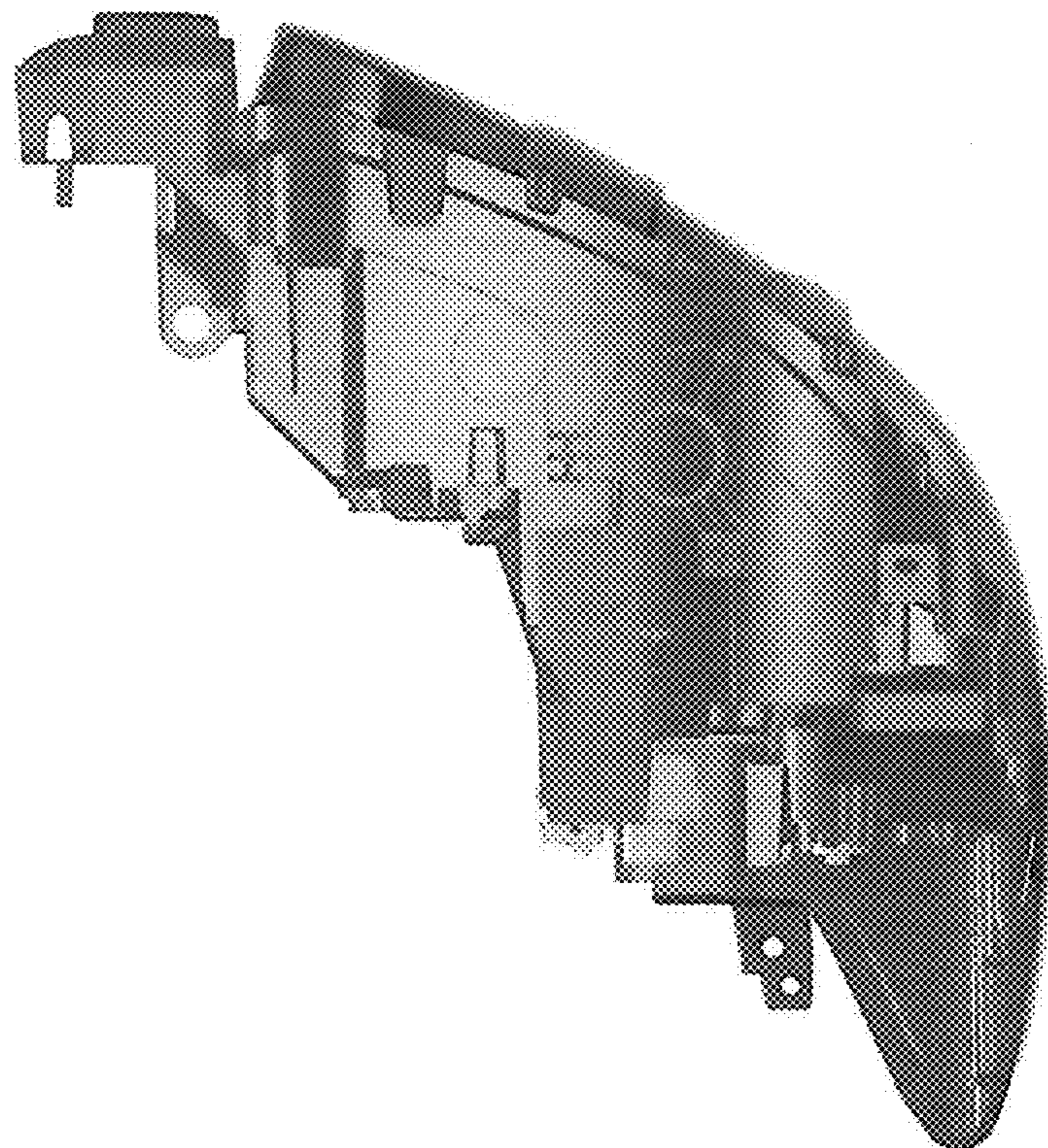


FIG.8