



US00D662634S

(12) **United States Design Patent**
Koizumi et al.

(10) **Patent No.:** **US D662,634 S**
(45) **Date of Patent:** **** Jun. 26, 2012**

(54) **PORTION OF A HEADLIGHT FOR A MOTOR VEHICLE**

(75) Inventors: **Iwao Koizumi**, Hiroshima (JP); **Shinichi Isayama**, Hiroshima (JP); **Satoshi Hayasaka**, Hiroshima (JP); **Kota Akagawa**, Hiroshima (JP); **Atsunori Mori**, Hiroshima (JP)

(73) Assignee: **Mazda Motor Corporation** (JP)

(**) Term: **14 Years**

(21) Appl. No.: **29/385,992**

(22) Filed: **Feb. 23, 2011**

(30) **Foreign Application Priority Data**

Aug. 23, 2010 (JP) D2010-020317

(51) **LOC (9) Cl.** **26-06**

(52) **U.S. Cl.** **D26/28**

(58) **Field of Classification Search** D26/28-36;
362/459-468, 475-478, 485-487

See application file for complete search history.

(56) **References Cited**

U.S. PATENT DOCUMENTS

D556,349 S *	11/2007	Golden et al.	D26/28
D560,291 S *	1/2008	Koyama	D26/28
D561,358 S *	2/2008	Tachibana	D26/28
D634,867 S *	3/2011	Frenzel et al.	D26/28

FOREIGN PATENT DOCUMENTS

EM	000858840-0001	3/2008
EM	000924618-0001	6/2008
EM	001061212-0002	2/2009
EM	001652595-0001	1/2010
EM	001671959-0001	2/2010

OTHER PUBLICATIONS

Audi AG; RCD-Online; 000858840-0001; Mar. 20, 2008.
Audi AG; RCD-Online; 000924618-0001; Jun. 2, 2008.
Audi AG; Rcd-Online; 001061212-0002; Feb. 2, 2009.
Audi AG; RCD-Online; 001671959-0001; Feb. 23, 2010.
Kia Motors Corporation; RCD-Online; 001652595-0001; Jan. 15, 2010.

* cited by examiner

Primary Examiner — Marcus Jackson

(74) *Attorney, Agent, or Firm* — Studebaker & Brackett PC;
Donald R. Studebaker

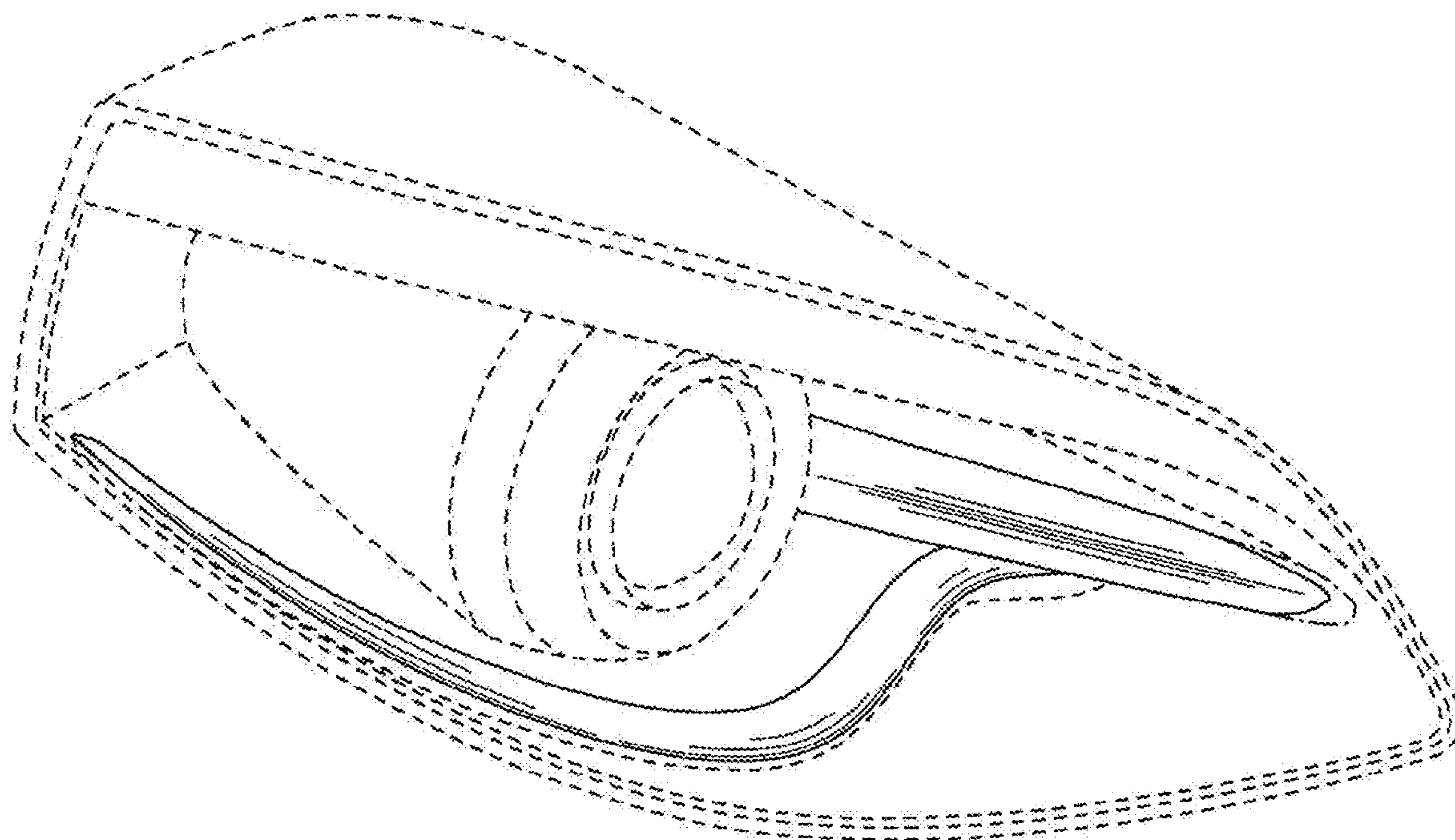
(57) **CLAIM**

The ornamental design for a portion of a headlight for a motor vehicle, as shown and described.

DESCRIPTION

FIG. 1 is a perspective view of a portion of a headlight for a motor vehicle;
FIG. 2 is a front view thereof;
FIG. 3 is a left side view thereof; and,
FIG. 4 is a top view thereof.
The portion shown by broken lines is for illustrative purposes only and forms no part of the claimed design.

1 Claim, 4 Drawing Sheets



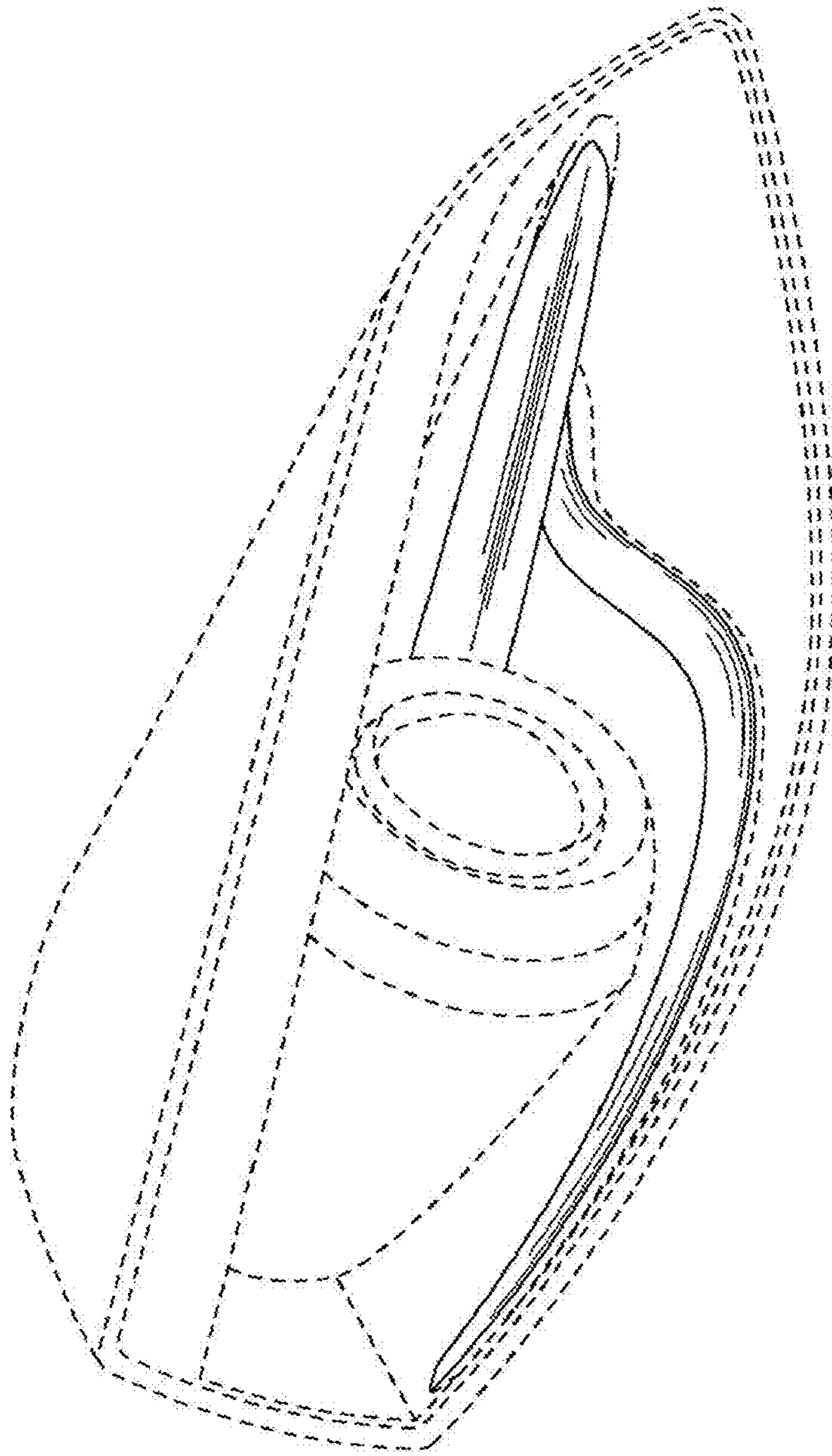


FIG. 1

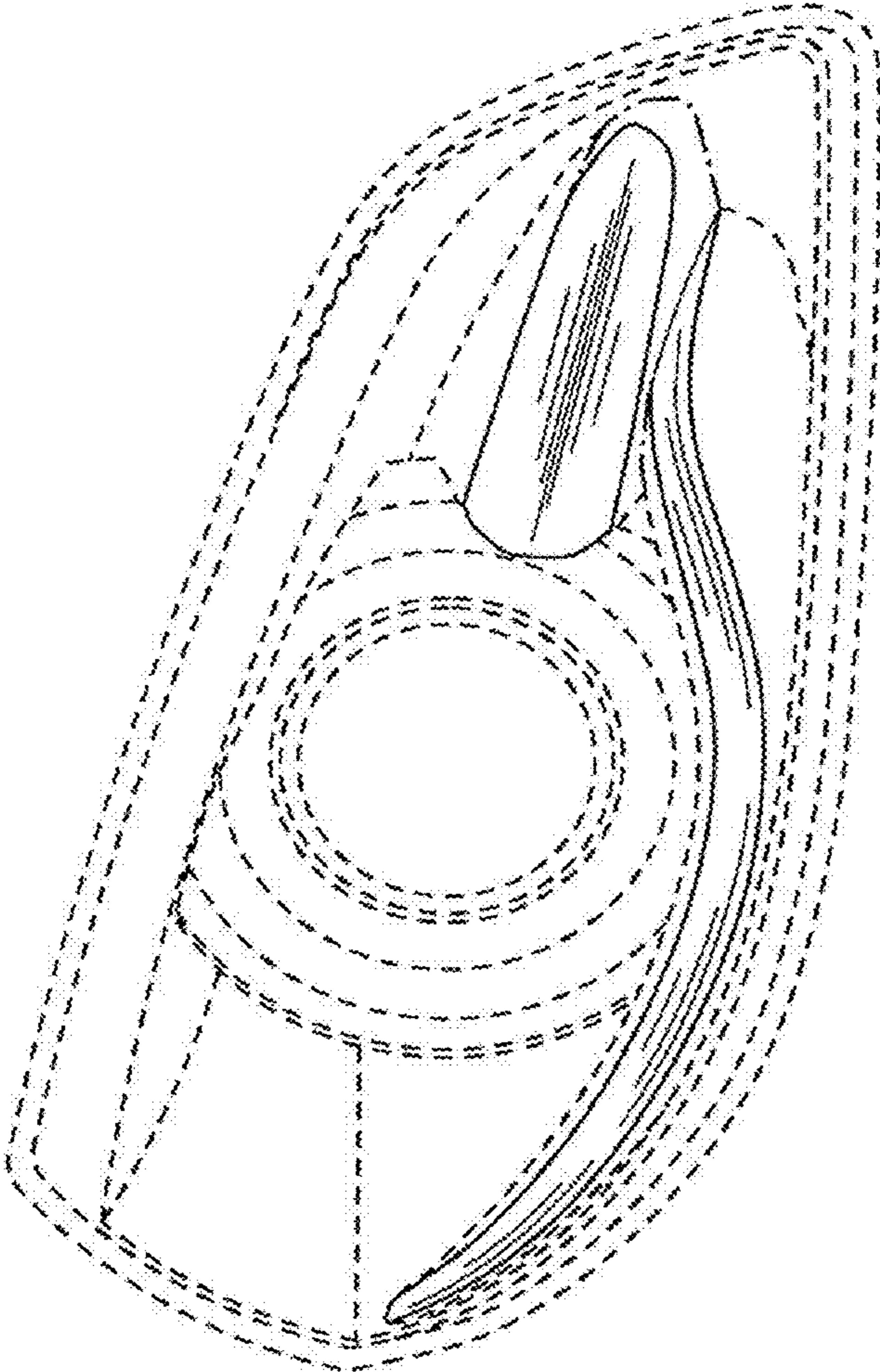


FIG.2

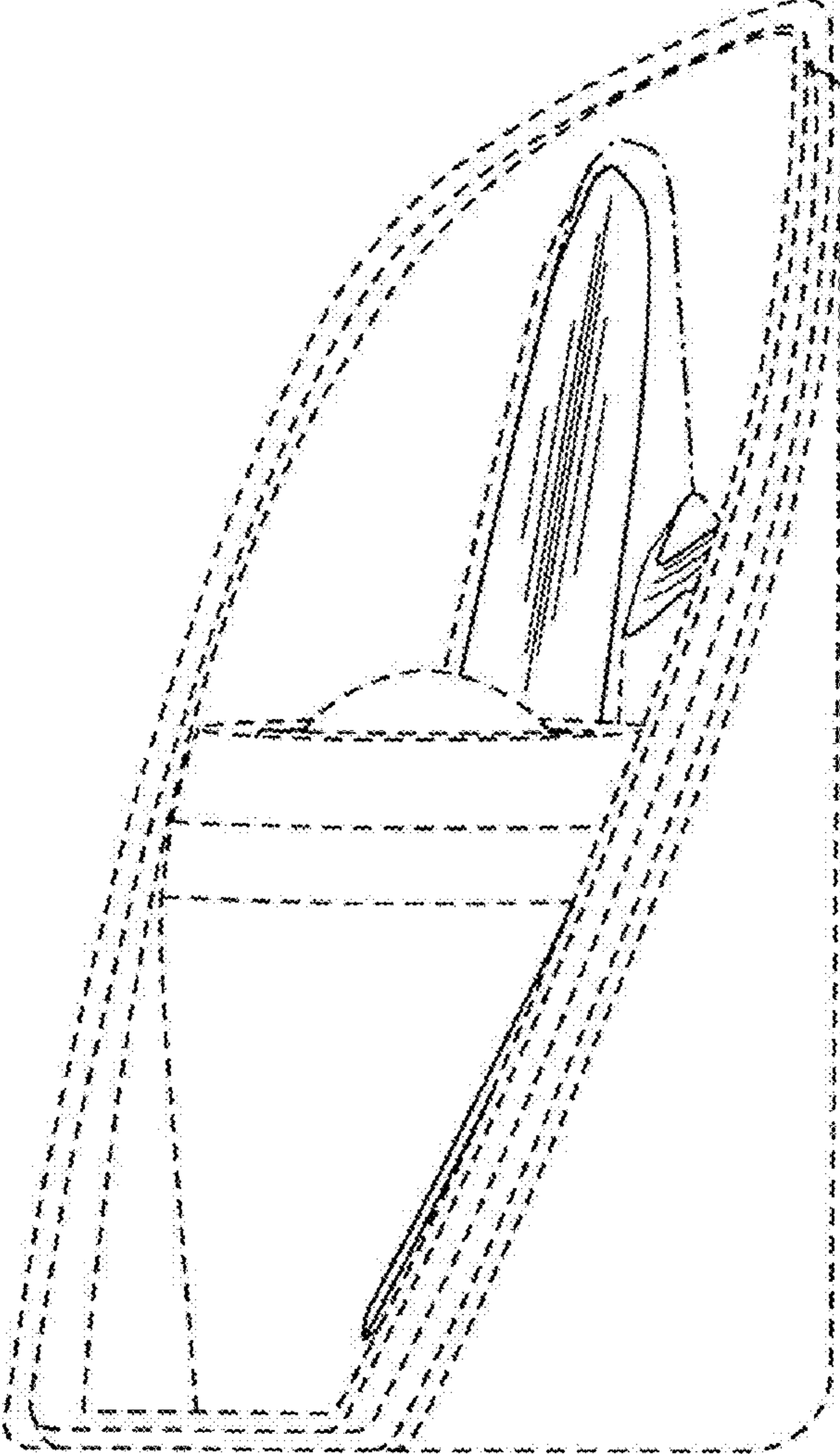


FIG. 3

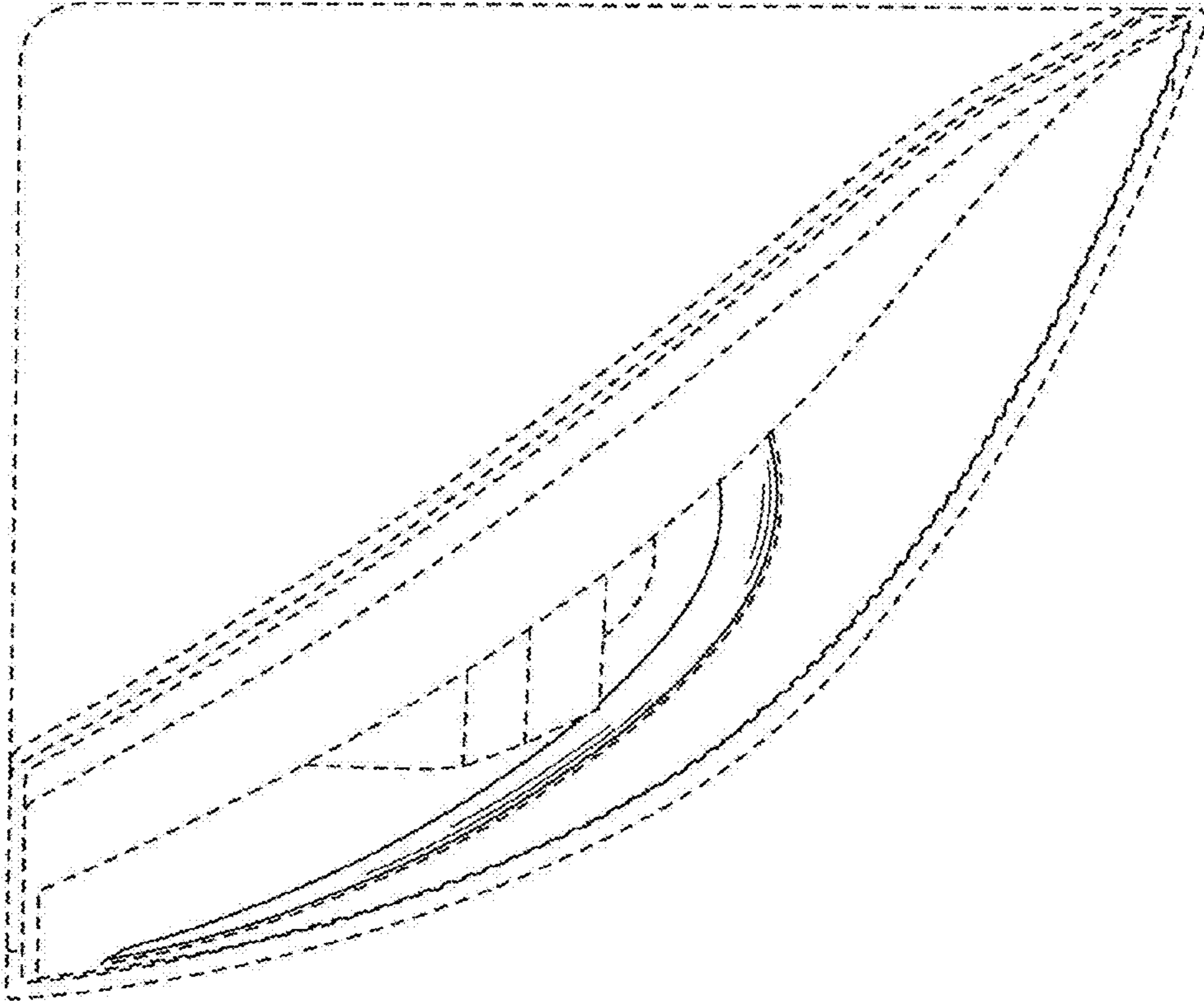


FIG.4