



US00D662629S

(12) **United States Design Patent**  
**Tung et al.**

(10) **Patent No.:** **US D662,629 S**  
(45) **Date of Patent:** **\*\* Jun. 26, 2012**

(54) **WATERPROOF LED LAMP TUBE**

(75) Inventors: **Chienchen Tung**, Zhaoqing (CN); **Qing Ma**, Zhaoqing (CN); **Kegang Yue**, Zhaoqing (CN); **Deliang Xiao**, Zhaoqing (CN); **Xianhua Zhao**, Zhaoqing (CN)

(73) Assignee: **LEDTECH Electronics Corp.**,  
Zhaoqing, Guangdong (CN)

(\*\*) Term: **14 Years**

(21) Appl. No.: **29/401,873**

(22) Filed: **Sep. 16, 2011**

(30) **Foreign Application Priority Data**

Mar. 28, 2011 (CN) ..... 2011 3 00557235

(51) **LOC (9) Cl.** ..... **26-04**

(52) **U.S. Cl.** ..... **D26/3**

(58) **Field of Classification Search** ..... D26/1-4;  
313/313, 315, 316, 317, 318, 493; 315/52,  
315/53, 56, 57, 58

See application file for complete search history.

(56) **References Cited**

U.S. PATENT DOCUMENTS

D315,800	S	*	3/1991	Hayakawa et al.	.....	D26/2
D382,081	S	*	8/1997	Sato et al.	.....	D26/2
D584,429	S	*	1/2009	Pei et al.	.....	D26/3
D611,172	S	*	3/2010	Lin et al.	.....	D26/3
D650,497	S	*	12/2011	Lai et al.	.....	D26/3

\* cited by examiner

*Primary Examiner* — Marcus Jackson

(74) *Attorney, Agent, or Firm* — Muncy, Geissler, Olds & Lowe, PLLC

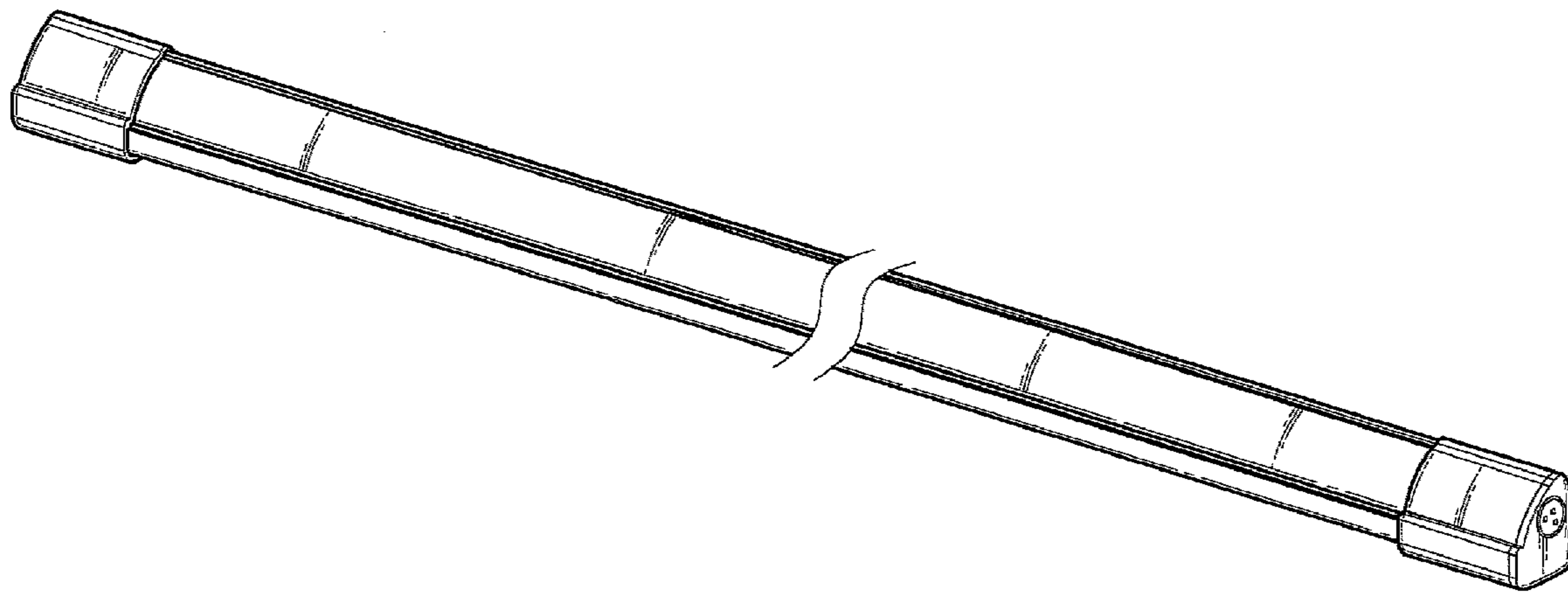
(57) **CLAIM**

The ornamental design for “waterproof LED lamp tube,” as shown and described.

**DESCRIPTION**

FIG. 1 is a perspective view of “waterproof LED lamp tube” showing my new design thereof, with the center portion broken away to indicate indeterminate length; FIG. 2 shows that a right side view thereof; FIG. 3 is a top view thereof; FIG. 4 is a front side elevation view thereof; FIG. 5 is a bottom plan view thereof; FIG. 6 is a left side elevation view thereof; and FIG. 7 is a rear perspective view; and, FIG. 8 is another perspective view thereof.

**1 Claim, 5 Drawing Sheets**



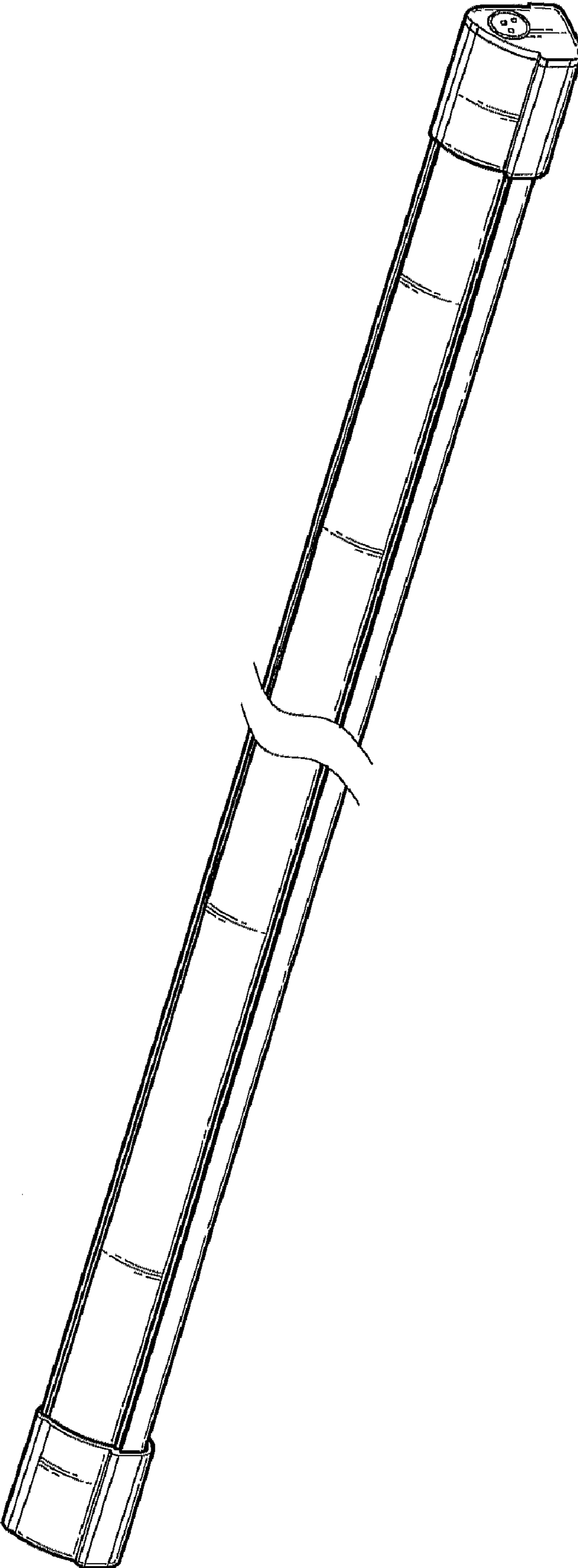


Fig. 1

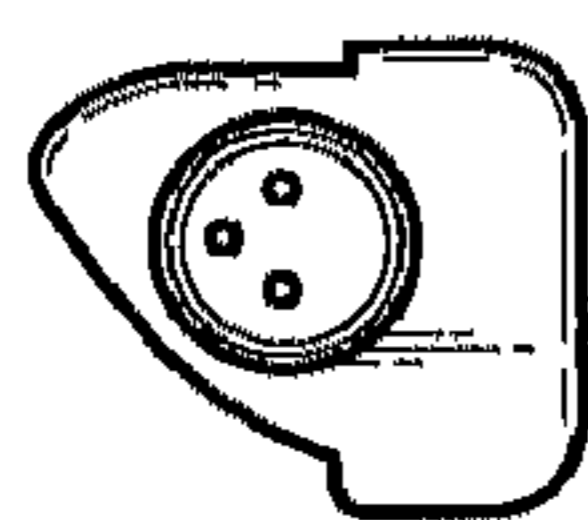


Fig. 2

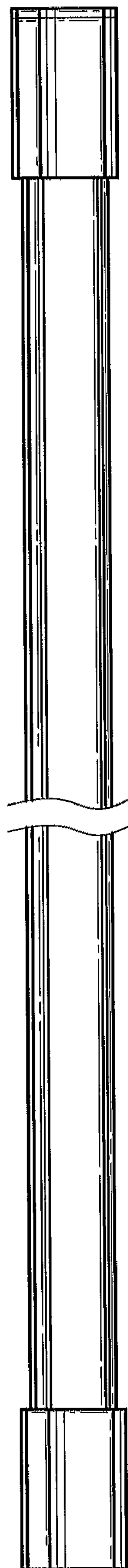


Fig. 3

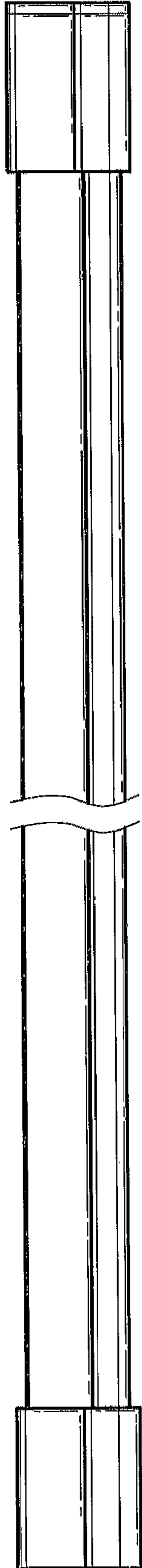


Fig. 4

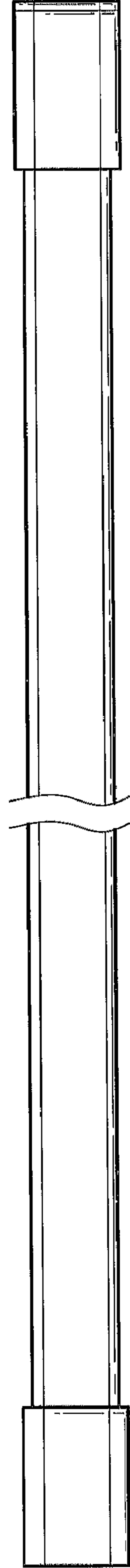


Fig. 5

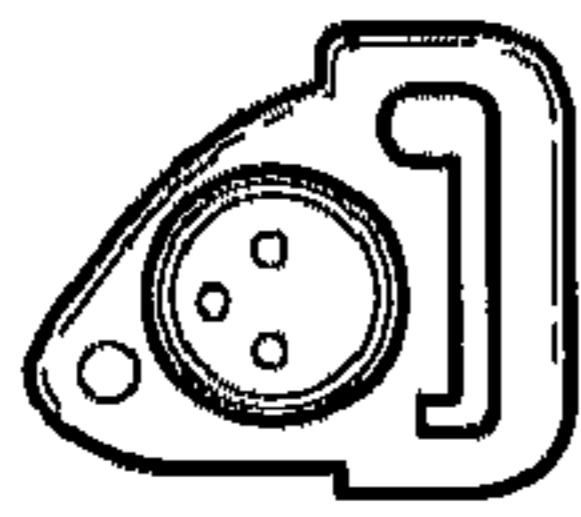


Fig. 6

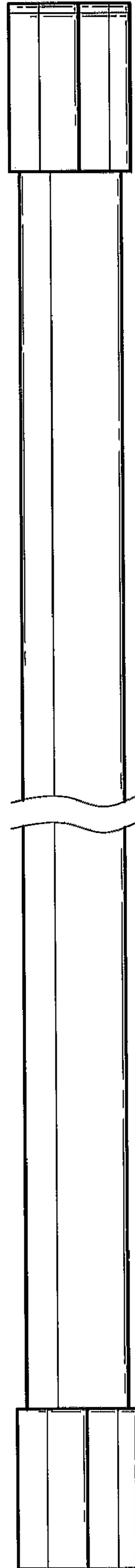


Fig. 7

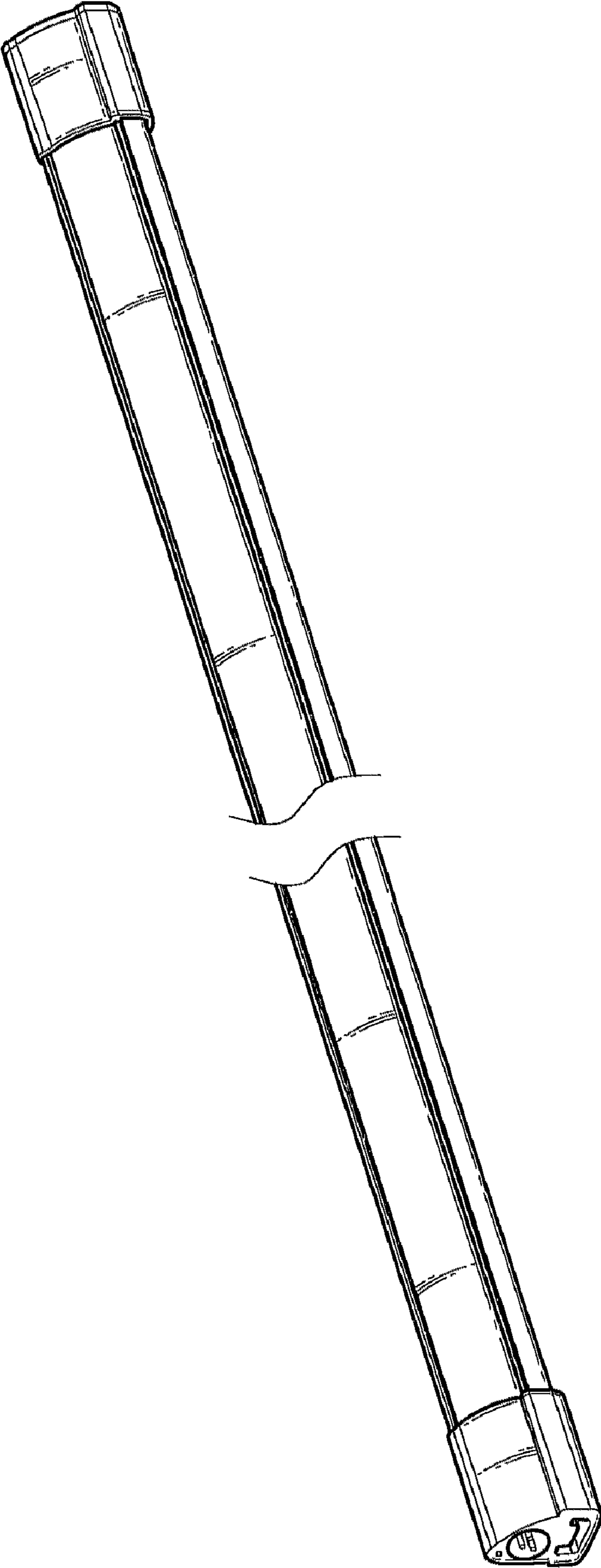


Fig. 8