

US00D662623S

(12) **United States Design Patent**  
**Yamamoto et al.**

(10) **Patent No.:** **US D662,623 S**  
(45) **Date of Patent:** **\*\* Jun. 26, 2012**

(54) **LIGHT EMITTING DIODE LAMP**  
(75) Inventors: **Junichiro Yamamoto**, Kanagawa (JP);  
**Shigeru Osawa**, Kanagawa (JP);  
**Yuichiro Takahara**, Kanagawa (JP);  
**Tomohiko Sato**, Tokyo (JP)

D625,440 S 10/2010 Yamamoto et al.  
D627,492 S \* 11/2010 Yamamoto et al. .... D26/2  
D627,493 S 11/2010 Yamamoto et al.  
D628,312 S 11/2010 Yamamoto et al.  
D628,317 S \* 11/2010 Yamamoto et al. .... D26/2  
D628,318 S 11/2010 Yamamoto et al.  
D628,722 S \* 12/2010 Yamamoto et al. .... D26/2  
D631,573 S \* 1/2011 Yamamoto et al. .... D26/2

(73) Assignee: **Toshiba Lighting & Technology Corporation**, Kanagawa (JP)

**FOREIGN PATENT DOCUMENTS**

(\*\*) Term: **14 Years**

JP D1406629 2/2011  
JP D1407098 2/2011  
JP D1407099 2/2011  
JP D1410026 3/2011  
JP D1410408 3/2011

(21) Appl. No.: **29/398,773**

\* cited by examiner

(22) Filed: **Aug. 4, 2011**

*Primary Examiner* — Marcus Jackson

(30) **Foreign Application Priority Data**

(74) *Attorney, Agent, or Firm* — J.C. Patents

Feb. 9, 2011 (JP) ..... 2011-002709

(51) **LOC (9) Cl.** ..... **26-04**

(52) **U.S. Cl.** ..... **D26/2**

(58) **Field of Classification Search** ..... D26/1-4;  
313/313, 315, 316, 317, 318, 493; 315/52,  
315/53, 56, 57, 58

See application file for complete search history.

(57) **CLAIM**

The ornamental design for a light emitting diode lamp, as shown and described.

(56) **References Cited**

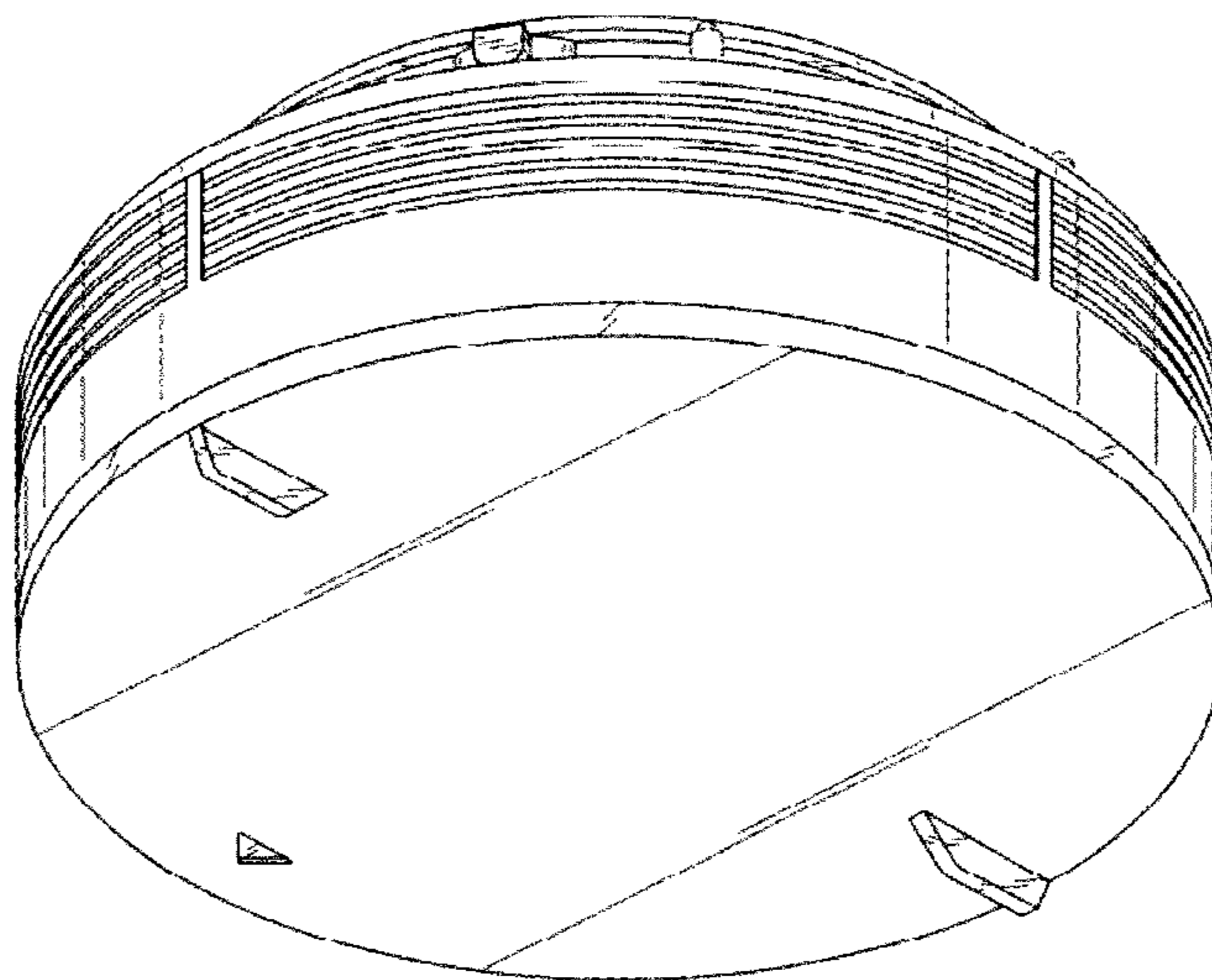
**DESCRIPTION**

**U.S. PATENT DOCUMENTS**

D397,233 S 8/1998 Bassford  
D547,886 S 7/2007 Foo  
D578,299 S 10/2008 Dennis  
D581,081 S 11/2008 Mier-Langner  
D583,967 S 12/2008 Leunis  
D598,873 S 8/2009 Tseng  
D614,321 S 4/2010 Yang  
D621,969 S 8/2010 Yamamoto et al.  
D621,970 S 8/2010 Yamamoto et al.  
D621,971 S 8/2010 Yamamoto et al.  
D621,972 S 8/2010 Yamamoto et al.  
D625,030 S \* 10/2010 Yamamoto et al. .... D26/2  
D625,031 S 10/2010 Yamamoto et al.

FIG. 1 is a perspective view of a light emitting diode lamp showing our new design;  
FIG. 2 is another perspective view thereof;  
FIG. 3 is a front view thereof;  
FIG. 4 is a rear view thereof;  
FIG. 5 is a left side view thereof;  
FIG. 6 is a right side view thereof;  
FIG. 7 is a top view thereof;  
FIG. 8 is a bottom view thereof; and,  
FIG. 9 is a cross-sectional view taken along line 9-9 in FIG. 8. The portion shown in double cross-hatched lines in FIG. 9 is pervious to light. The broken lines shown in FIGS. 1-7 and 9 are for illustrative purposes only and form no part of the claimed design.

**1 Claim, 7 Drawing Sheets**



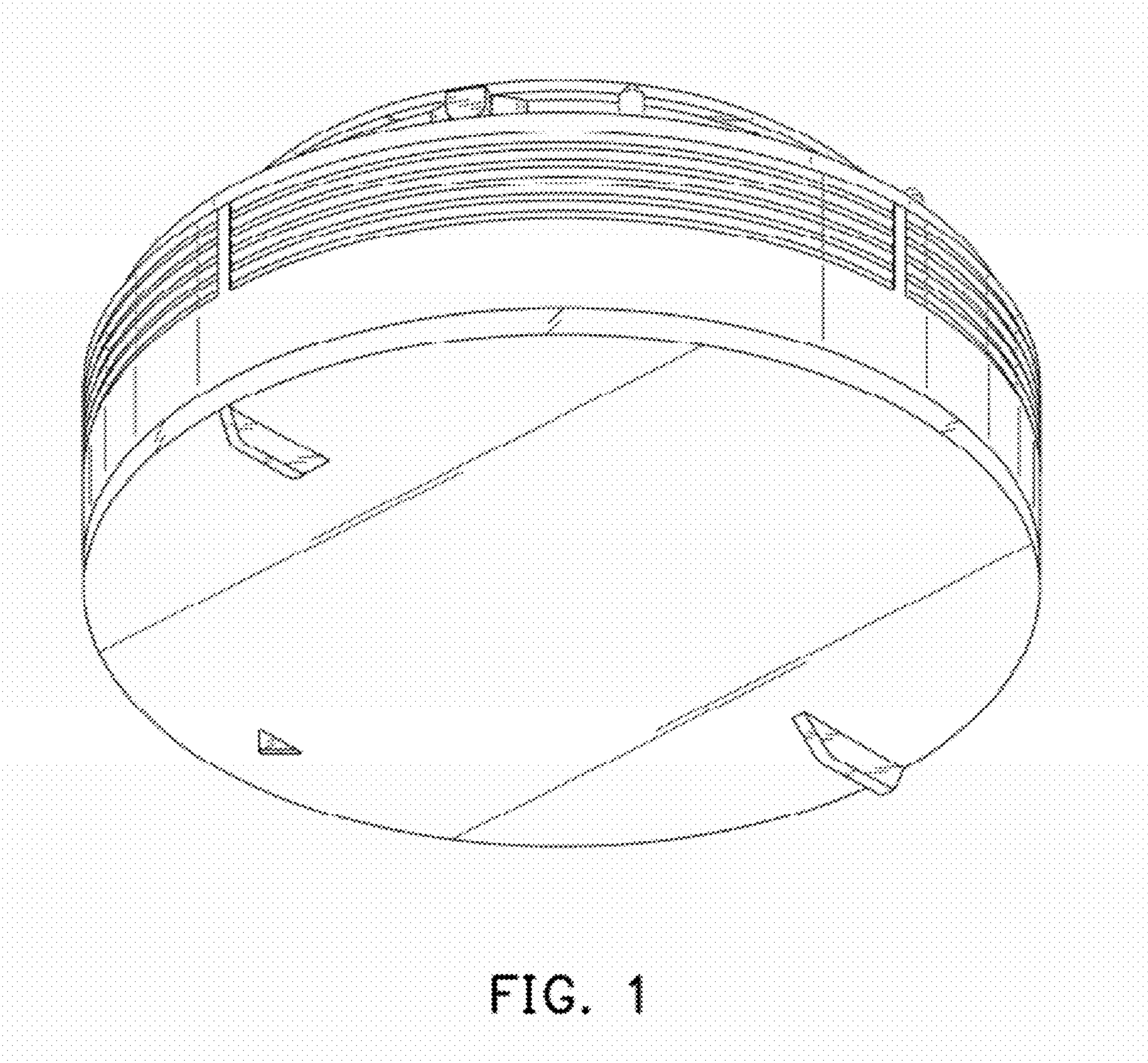


FIG. 1



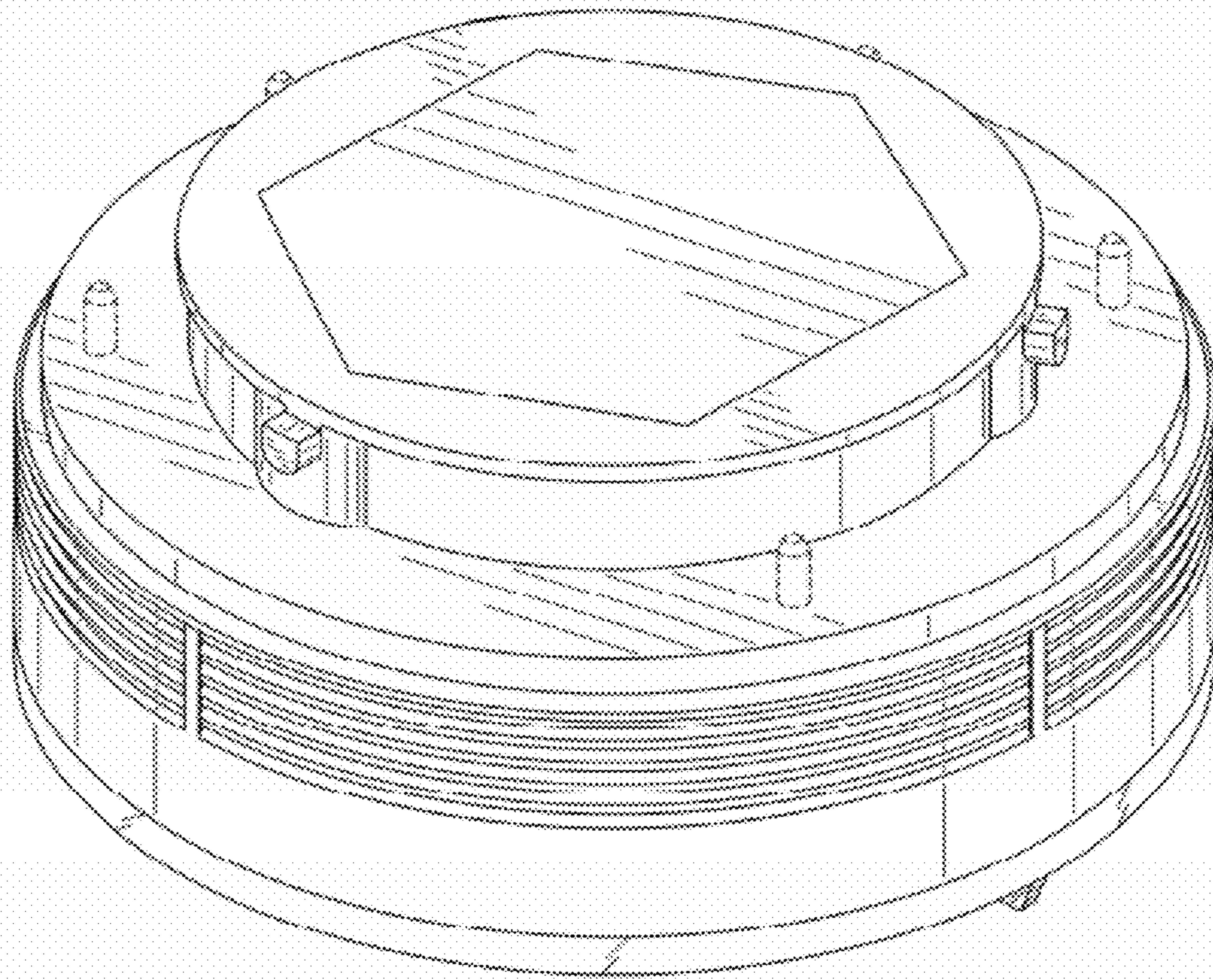


FIG. 2

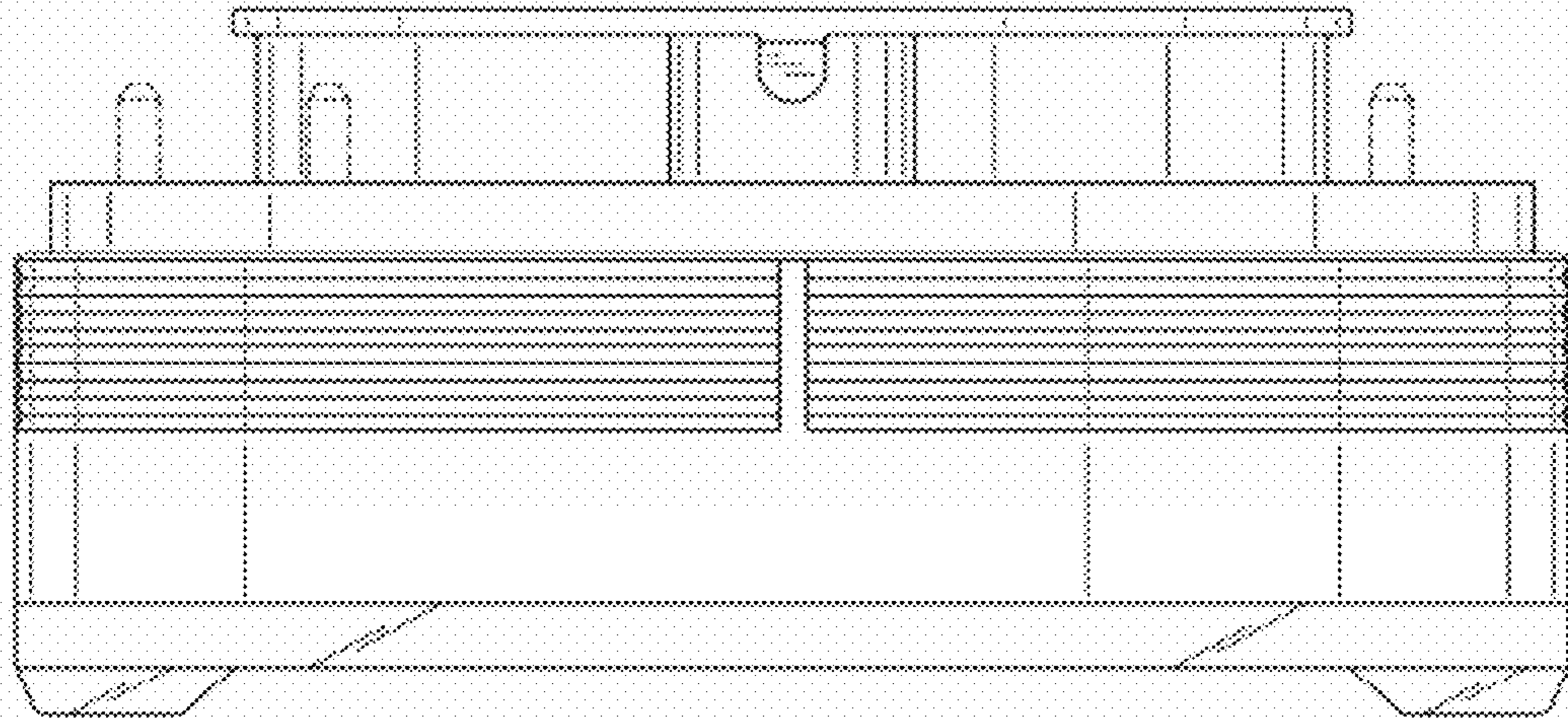


FIG. 3

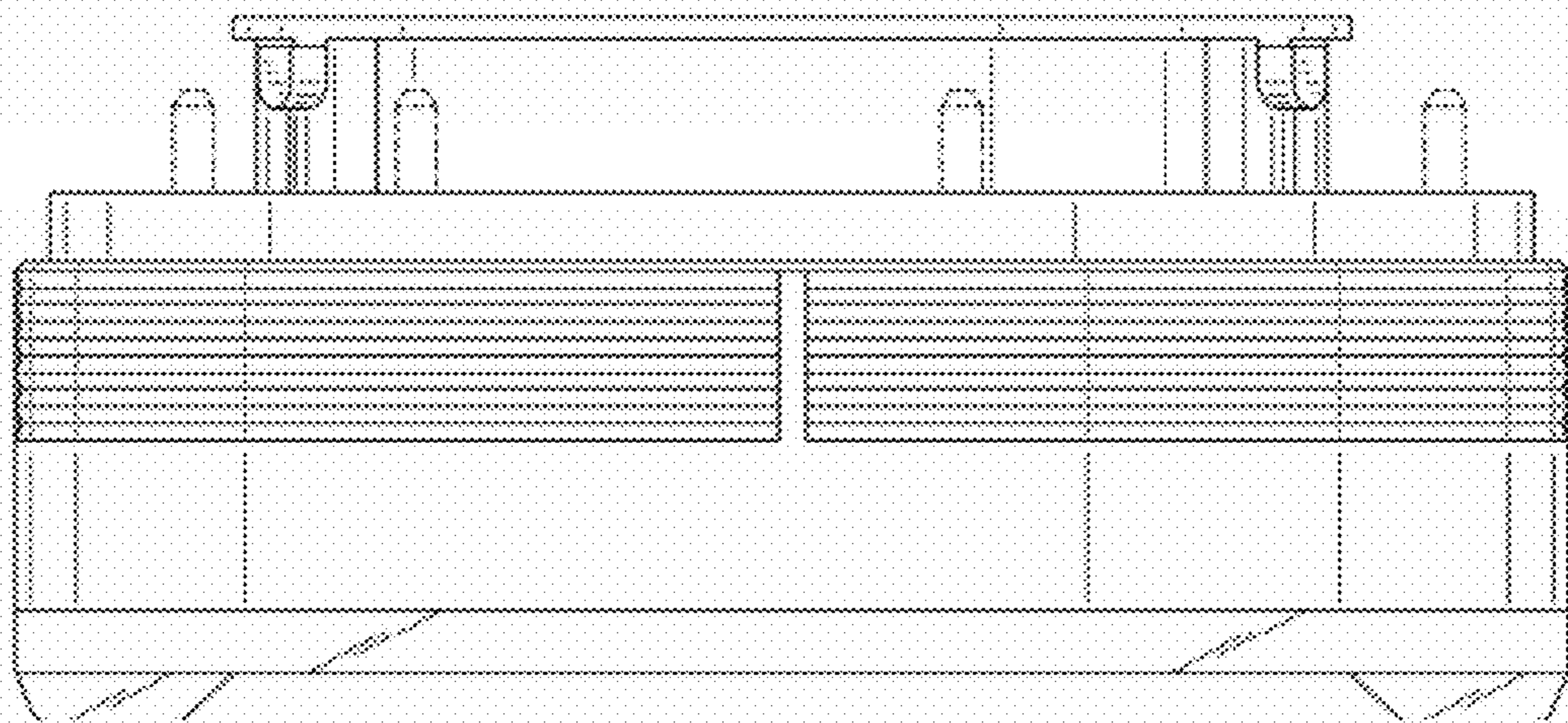


FIG. 4



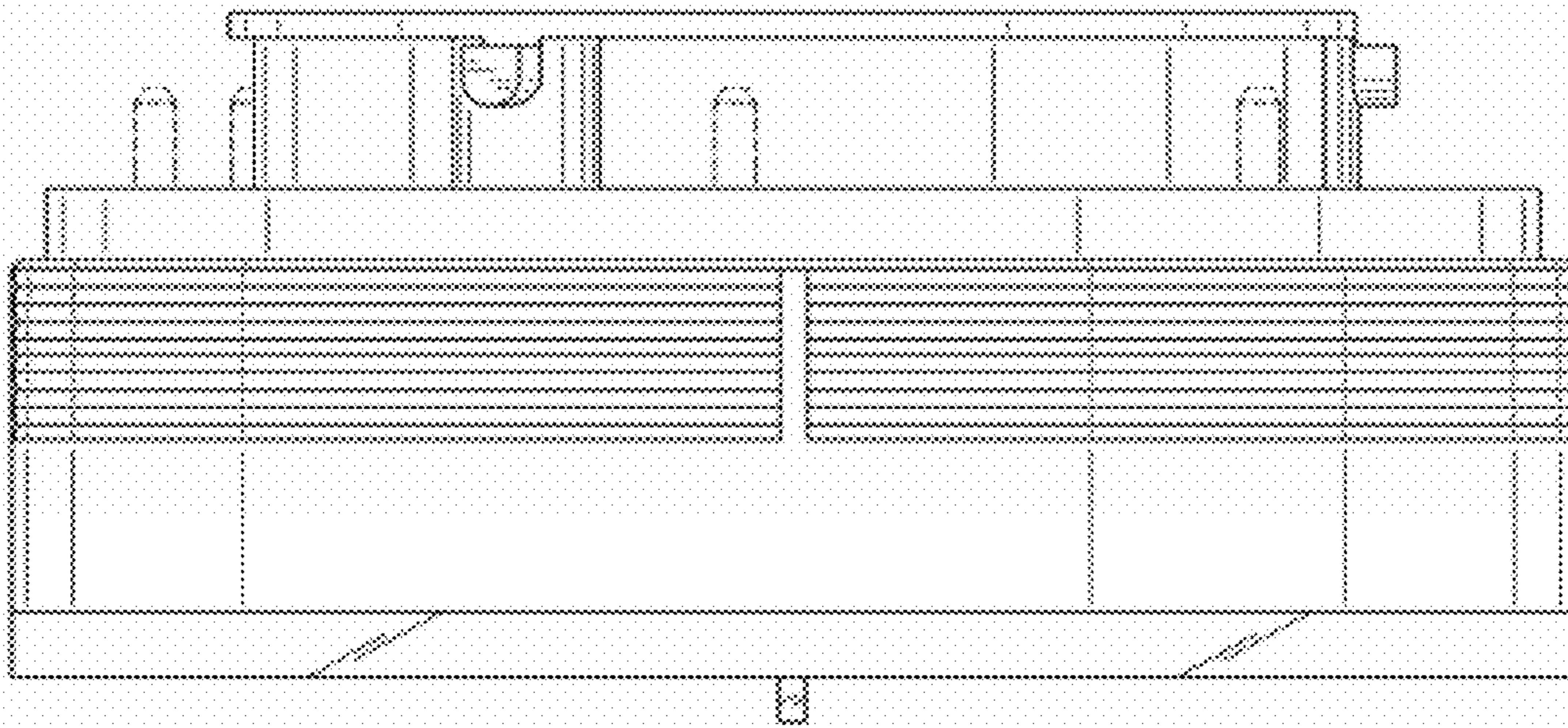


FIG. 5

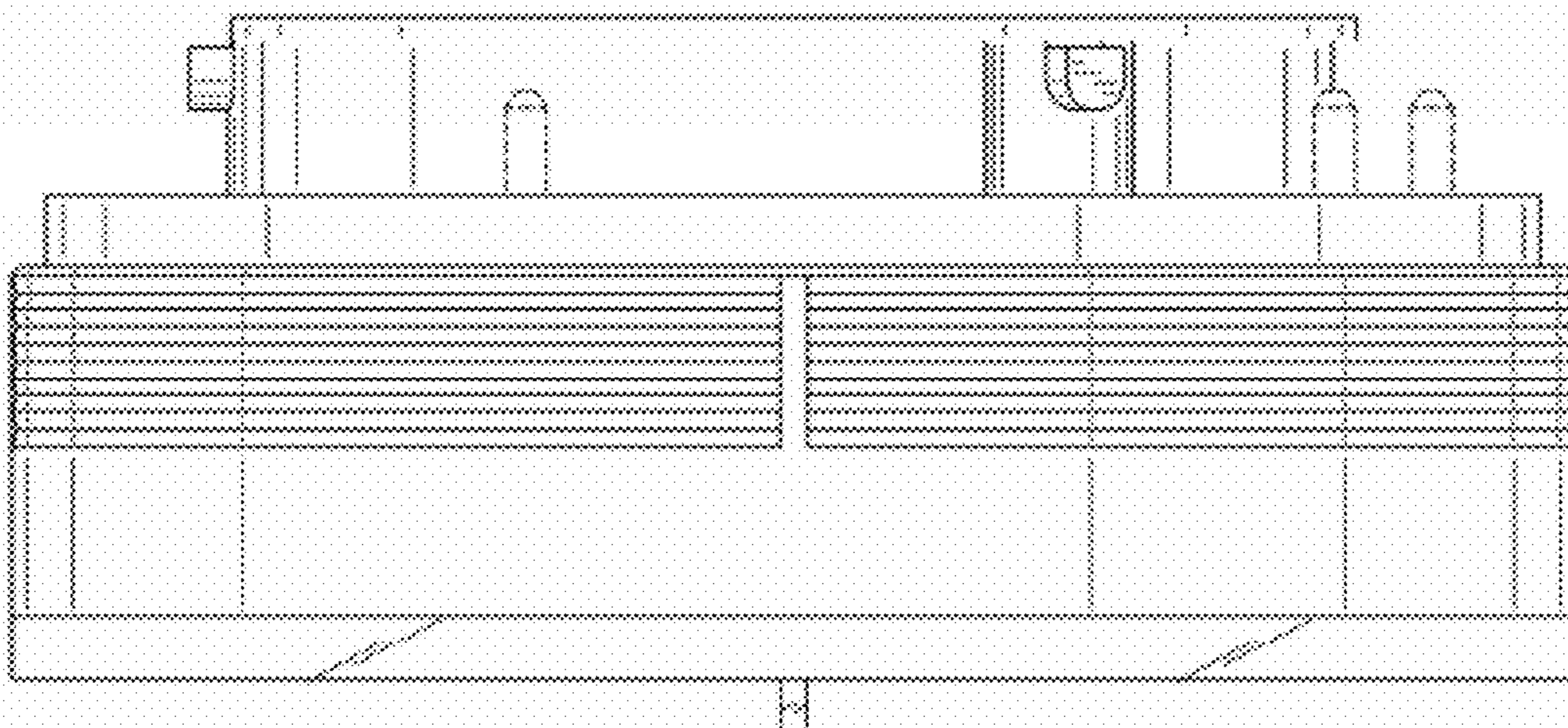


FIG. 6

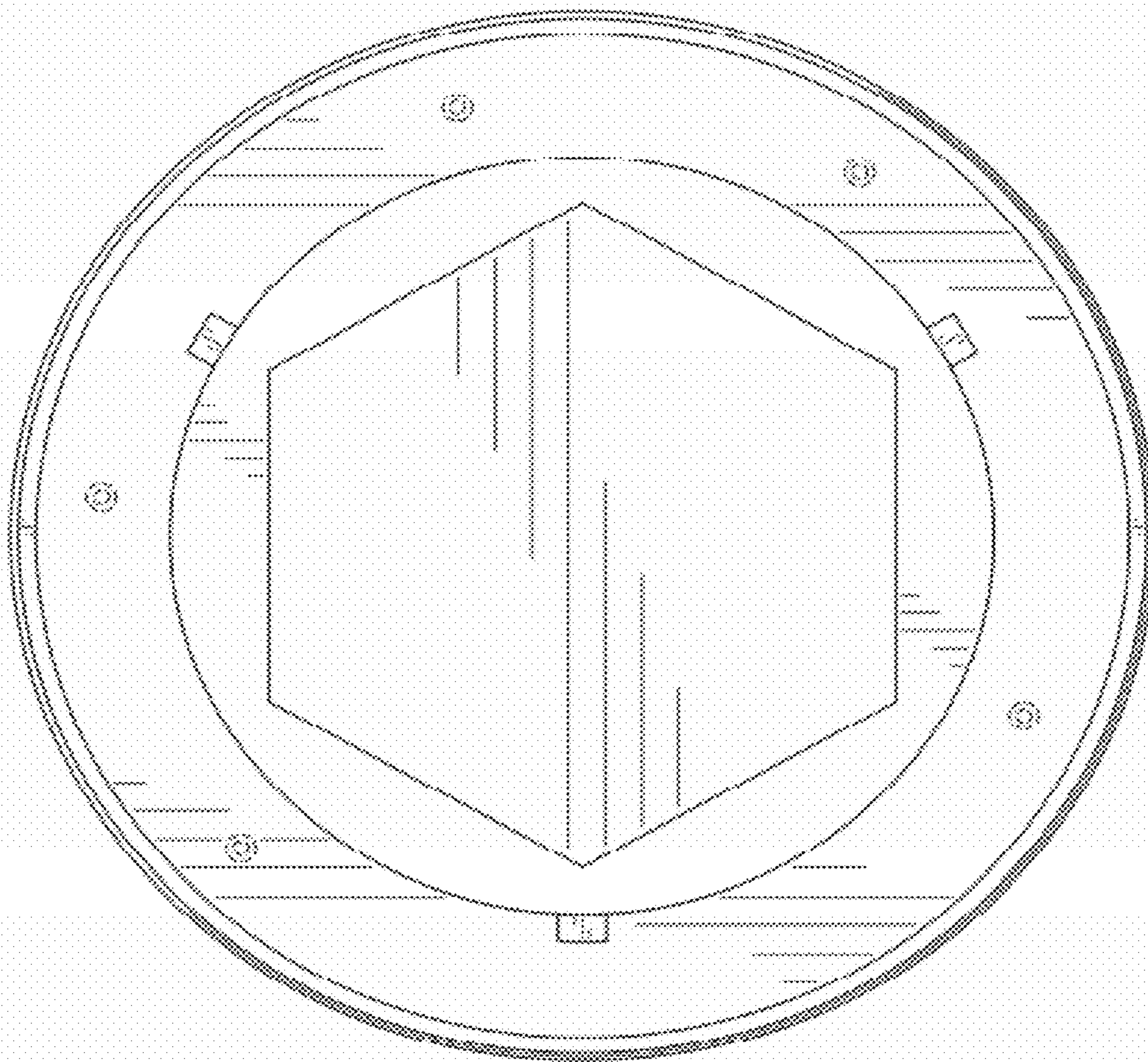


FIG. 7

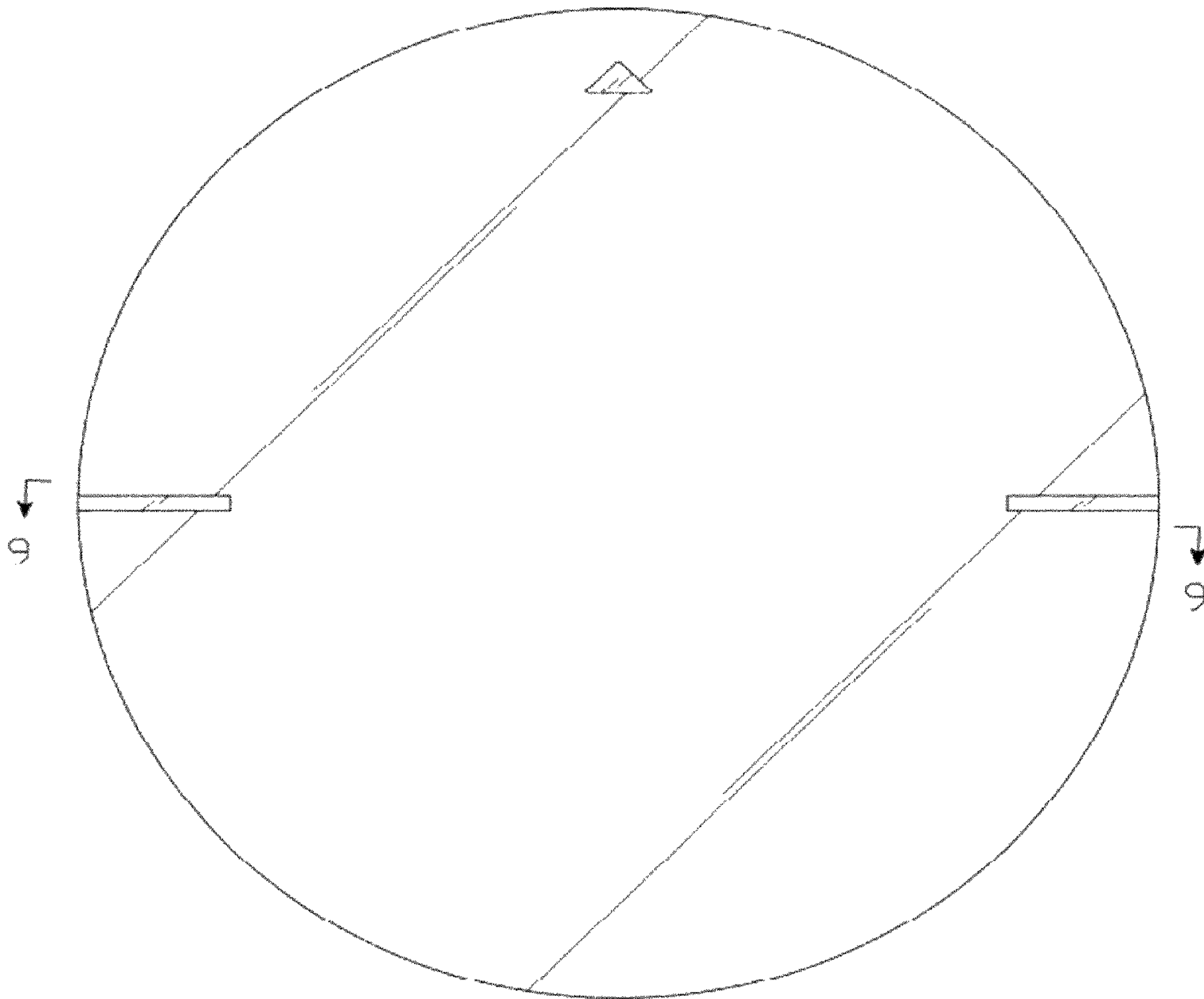


FIG. 8



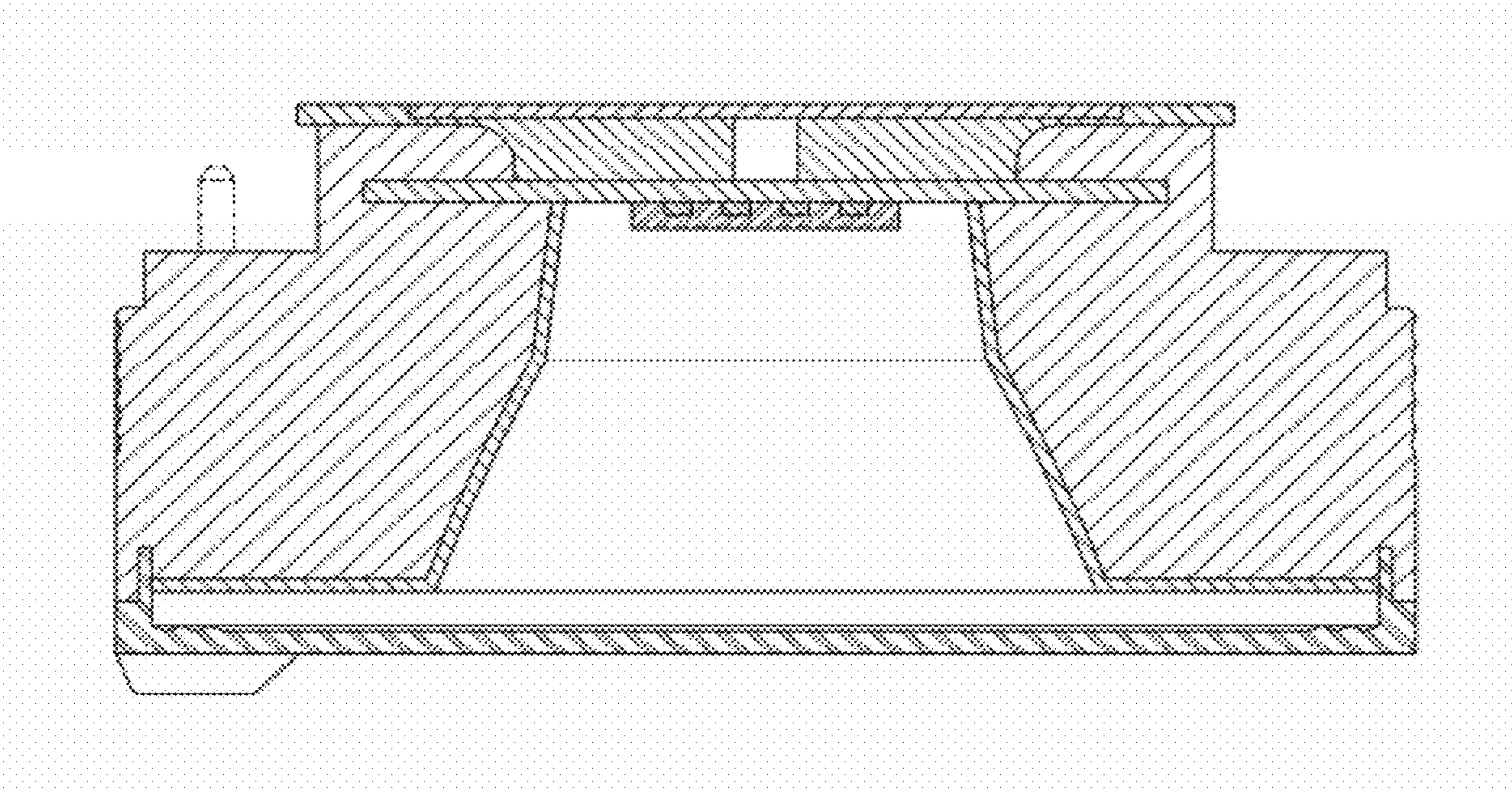


FIG. 9