

US00D662622S

(12) **United States Design Patent**
Yamamoto et al.

(10) **Patent No.:** **US D662,622 S**
(45) **Date of Patent:** **** Jun. 26, 2012**

(54) **LIGHT EMITTING DIODE LAMP**
(75) Inventors: **Junichiro Yamamoto**, Kanagawa (JP);
Shigeru Osawa, Kanagawa (JP);
Yuichiro Takahara, Kanagawa (JP);
Tomohiko Sato, Tokyo (JP)

D625,440 S 10/2010 Yamamoto et al.
D627,492 S * 11/2010 Yamamoto et al. D26/2
D627,493 S 11/2010 Yamamoto et al.
D628,312 S 11/2010 Yamamoto et al.
D628,317 S * 11/2010 Yamamoto et al. D26/2
D628,318 S 11/2010 Yamamoto et al.
D628,722 S * 12/2010 Yamamoto et al. D26/2
D631,573 S * 1/2011 Yamamoto et al. D26/2

(73) Assignee: **Toshiba Lighting & Technology Corporation**, Kanagawa (JP)

(**) Term: **14 Years**

(21) Appl. No.: **29/398,771**

(22) Filed: **Aug. 4, 2011**

(30) **Foreign Application Priority Data**

Feb. 9, 2011 (JP) 2011-002697

(51) **LOC (9) Cl.** **26-04**

(52) **U.S. Cl.** **D26/2**

(58) **Field of Classification Search** D26/1-4;
313/313, 315, 316, 317, 318, 493; 315/52,
315/53, 56, 57, 58

See application file for complete search history.

(56) **References Cited**

U.S. PATENT DOCUMENTS

D397,233 S 8/1998 Bassford
D547,886 S 7/2007 Foo
D578,299 S 10/2008 Dennis
D581,081 S 11/2008 Mier-Langner
D583,967 S 12/2008 Leunis
D598,873 S 8/2009 Tseng
D614,321 S 4/2010 Yang
D621,969 S 8/2010 Yamamoto et al.
D621,970 S 8/2010 Yamamoto et al.
D621,971 S 8/2010 Yamamoto et al.
D621,972 S 8/2010 Yamamoto et al.
D625,030 S * 10/2010 Yamamoto et al. D26/2
D625,031 S 10/2010 Yamamoto et al.

FOREIGN PATENT DOCUMENTS

JP D1406629 2/2011
JP D1407098 2/2011
JP D1407099 2/2011
JP D1410026 3/2011
JP D1410408 3/2011

* cited by examiner

Primary Examiner — Marcus Jackson

(74) *Attorney, Agent, or Firm* — J.C. Patents

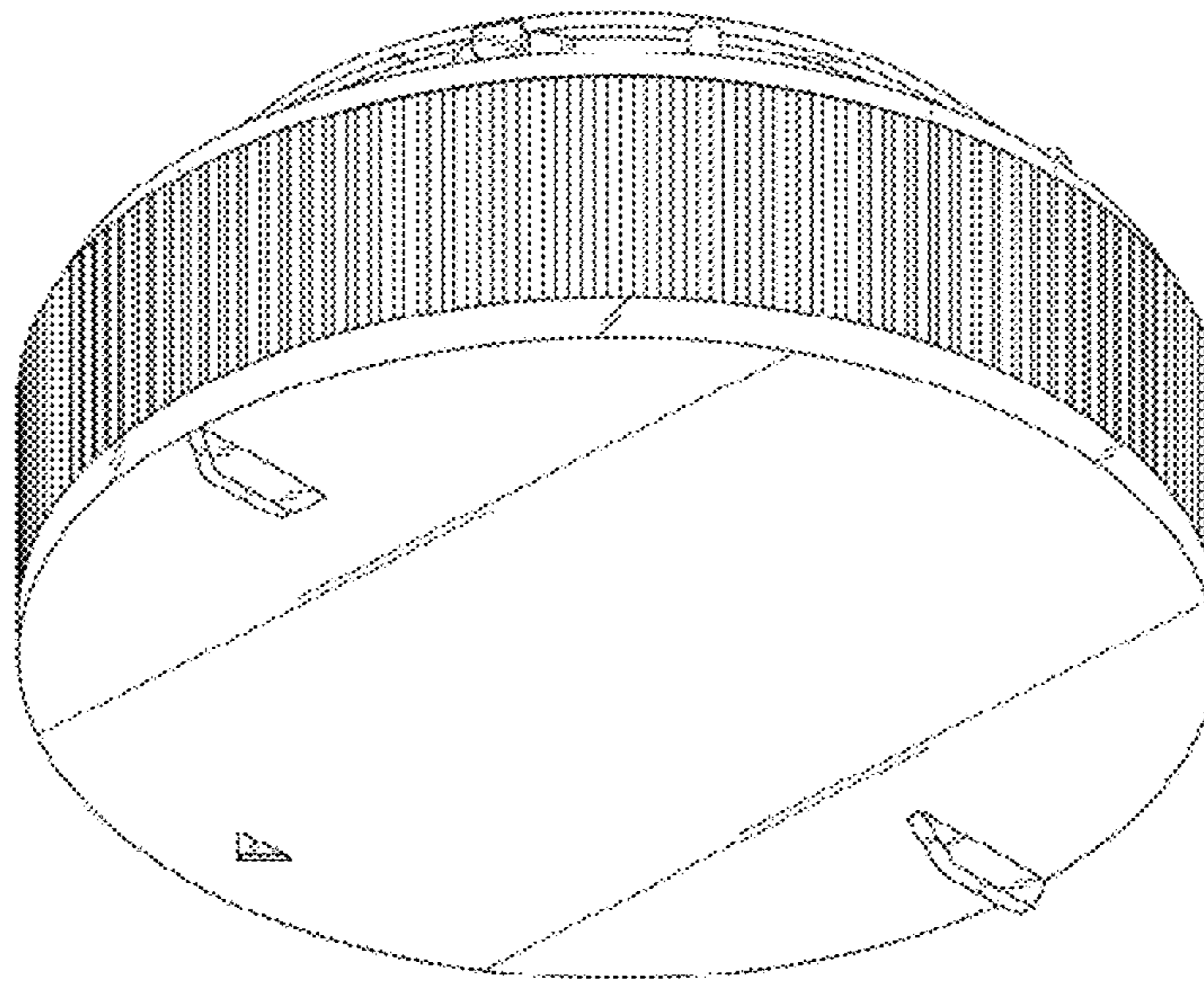
(57) **CLAIM**

The ornamental design for a light emitting diode lamp, as shown and described.

DESCRIPTION

FIG. 1 is a perspective view of a light emitting diode lamp showing our new design;
FIG. 2 is another perspective view thereof;
FIG. 3 is a front view thereof;
FIG. 4 is a rear view thereof;
FIG. 5 is a left side view thereof;
FIG. 6 is a right side view thereof;
FIG. 7 is a top view thereof;
FIG. 8 is a bottom view thereof; and,
FIG. 9 is a cross-sectional view taken along line 9-9 in FIG. 6. The portion shown in double cross-hatched lines in FIG. 9 is pervious to light. The broken lines shown in FIGS. 1-7 and 9 are for illustrative purposes only and form no part of the claimed design.

1 Claim, 7 Drawing Sheets



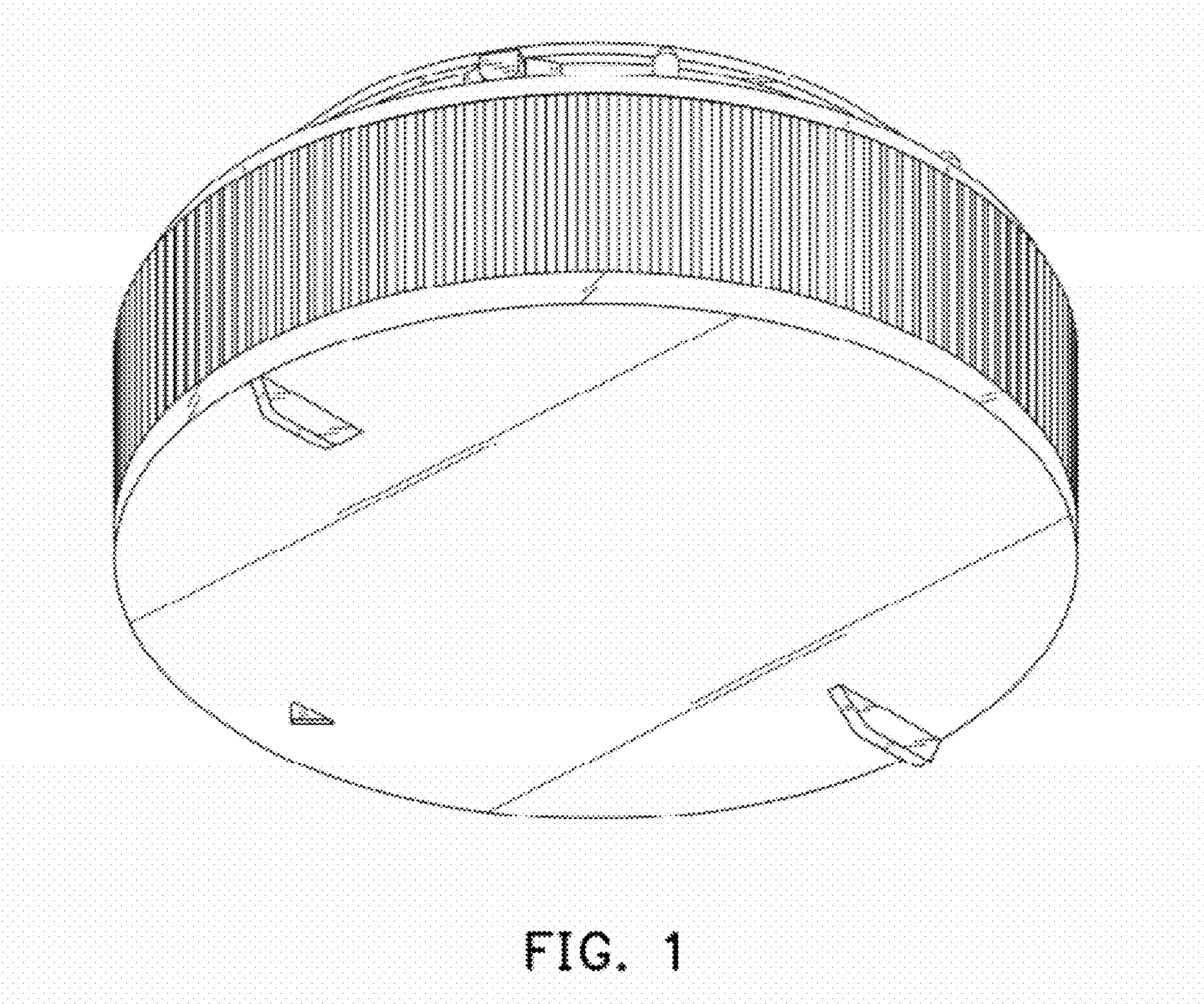


FIG. 1

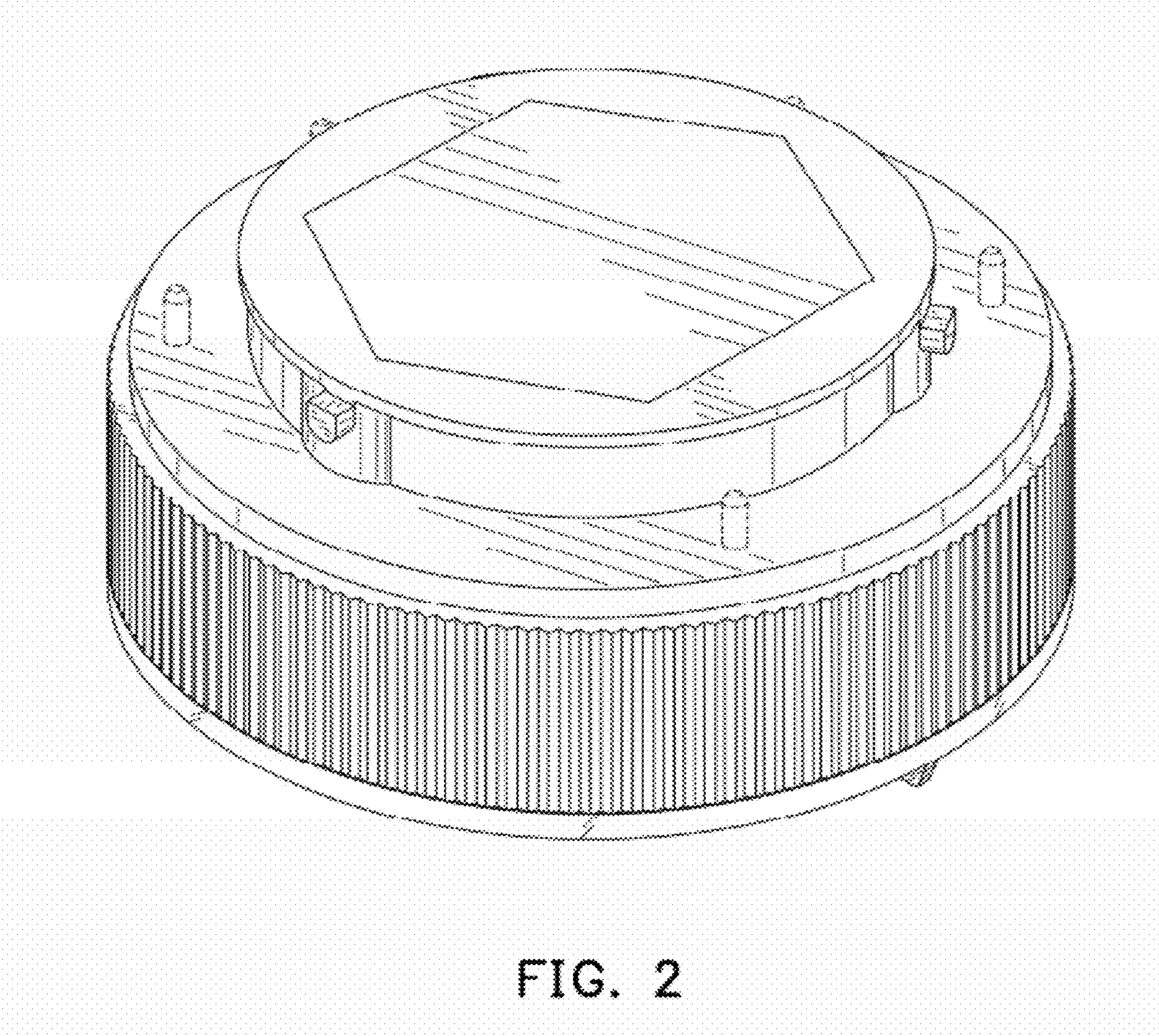


FIG. 2

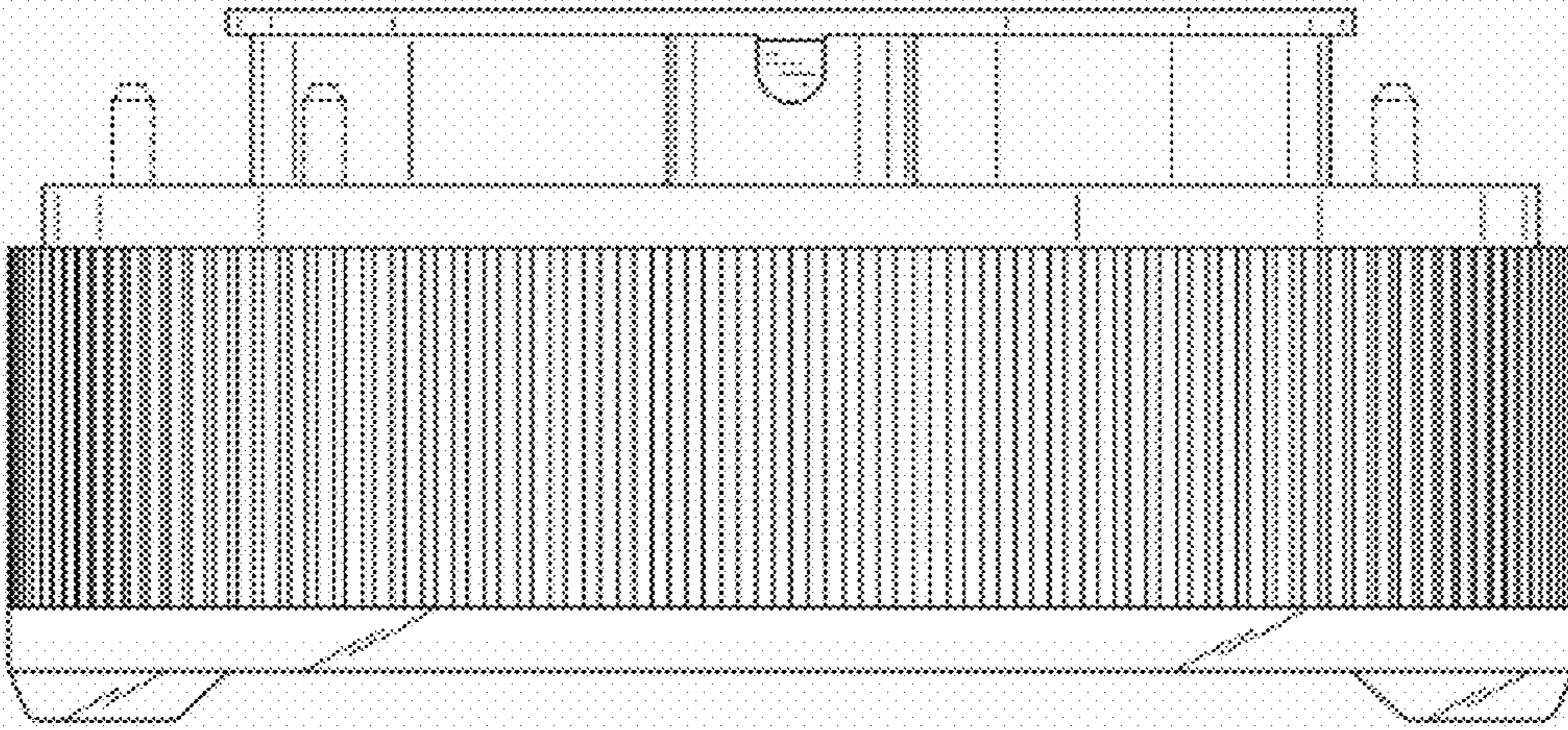


FIG. 3

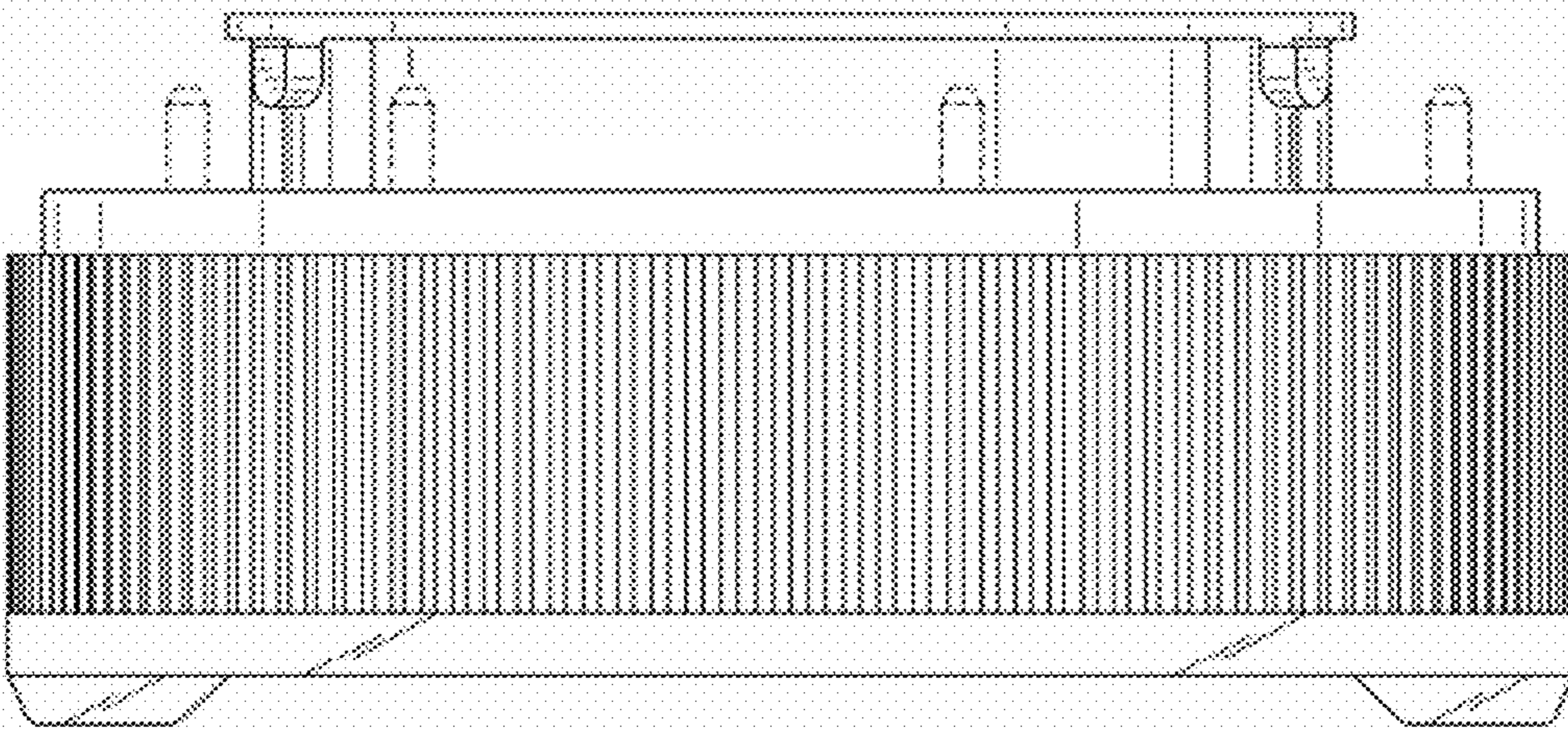


FIG. 4

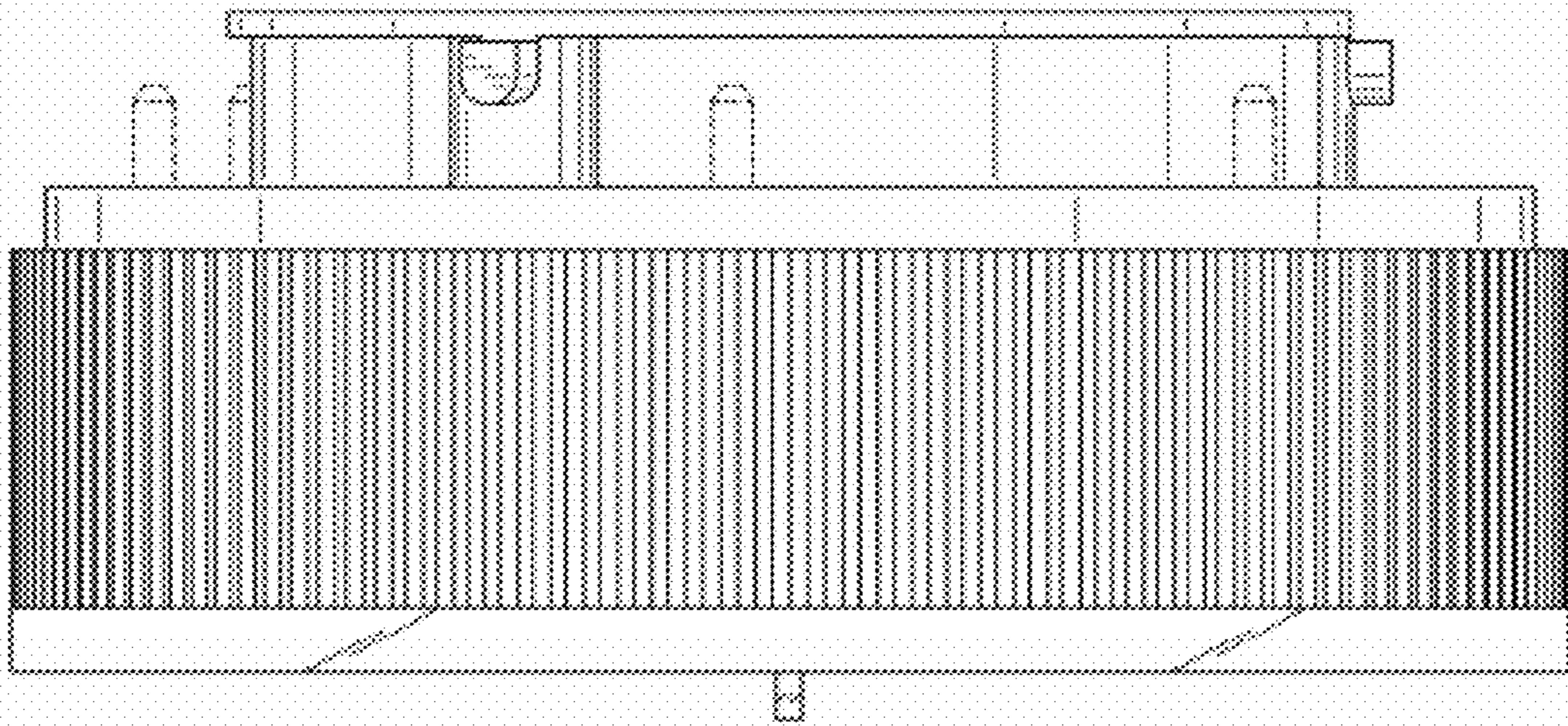
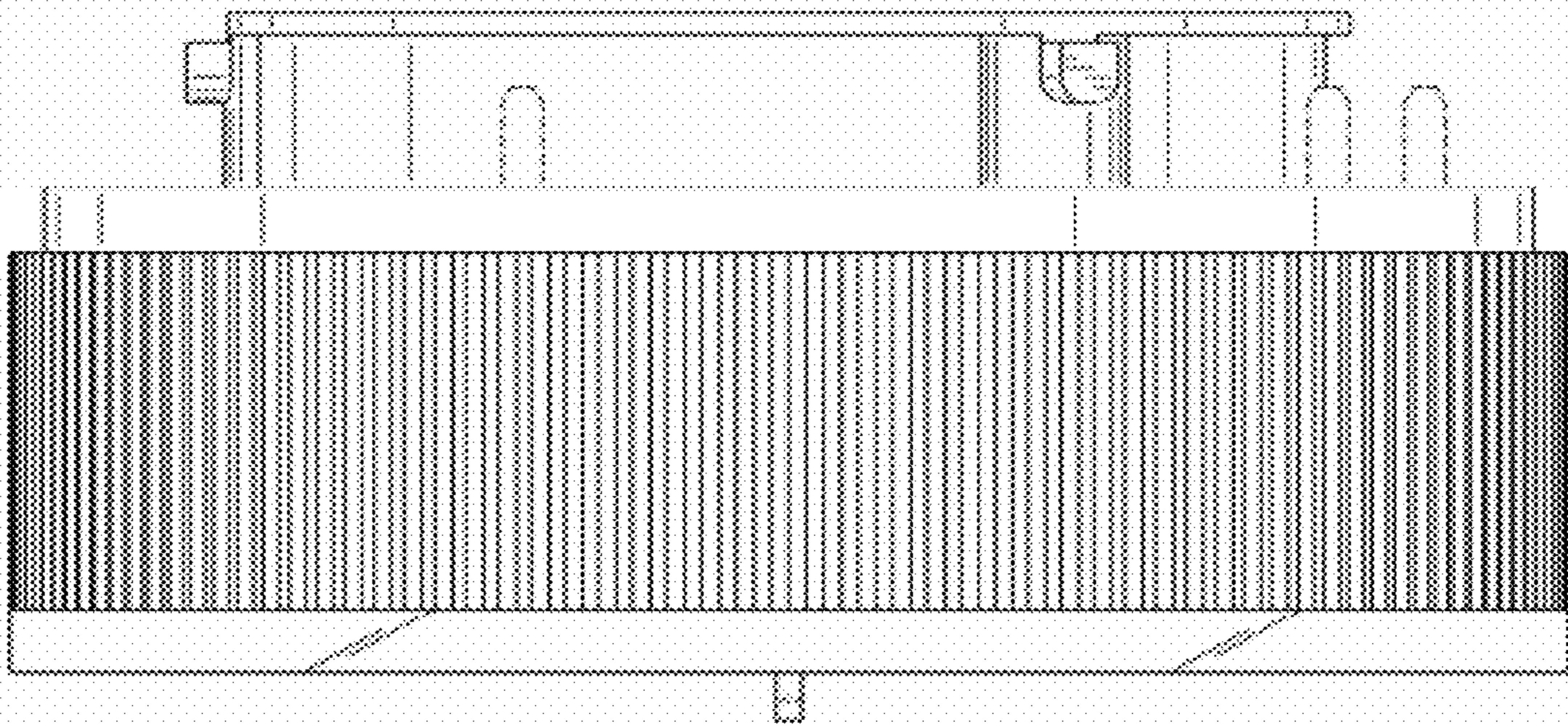


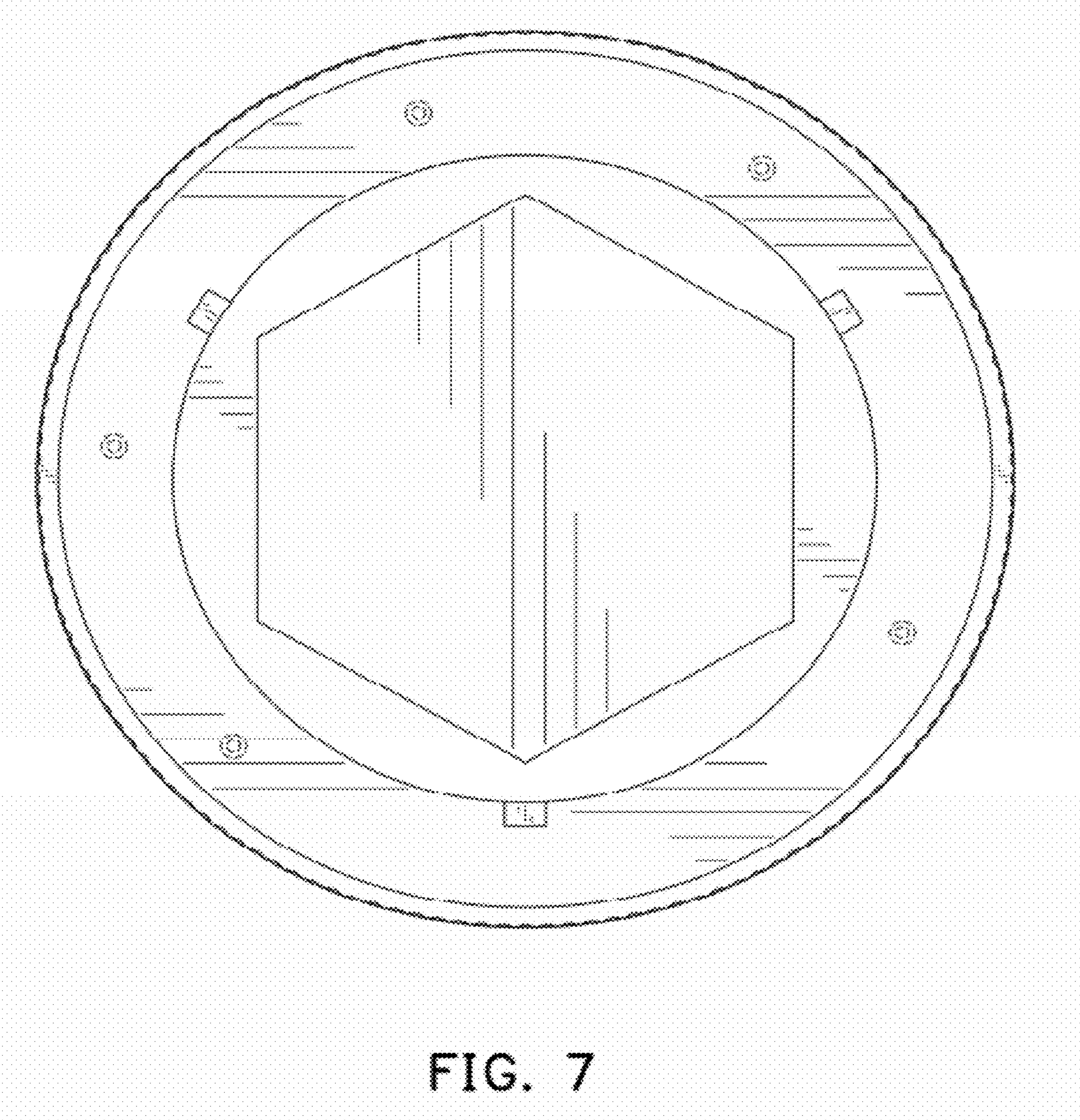
FIG. 5

1 → 9



1 → 9

FIG. 6



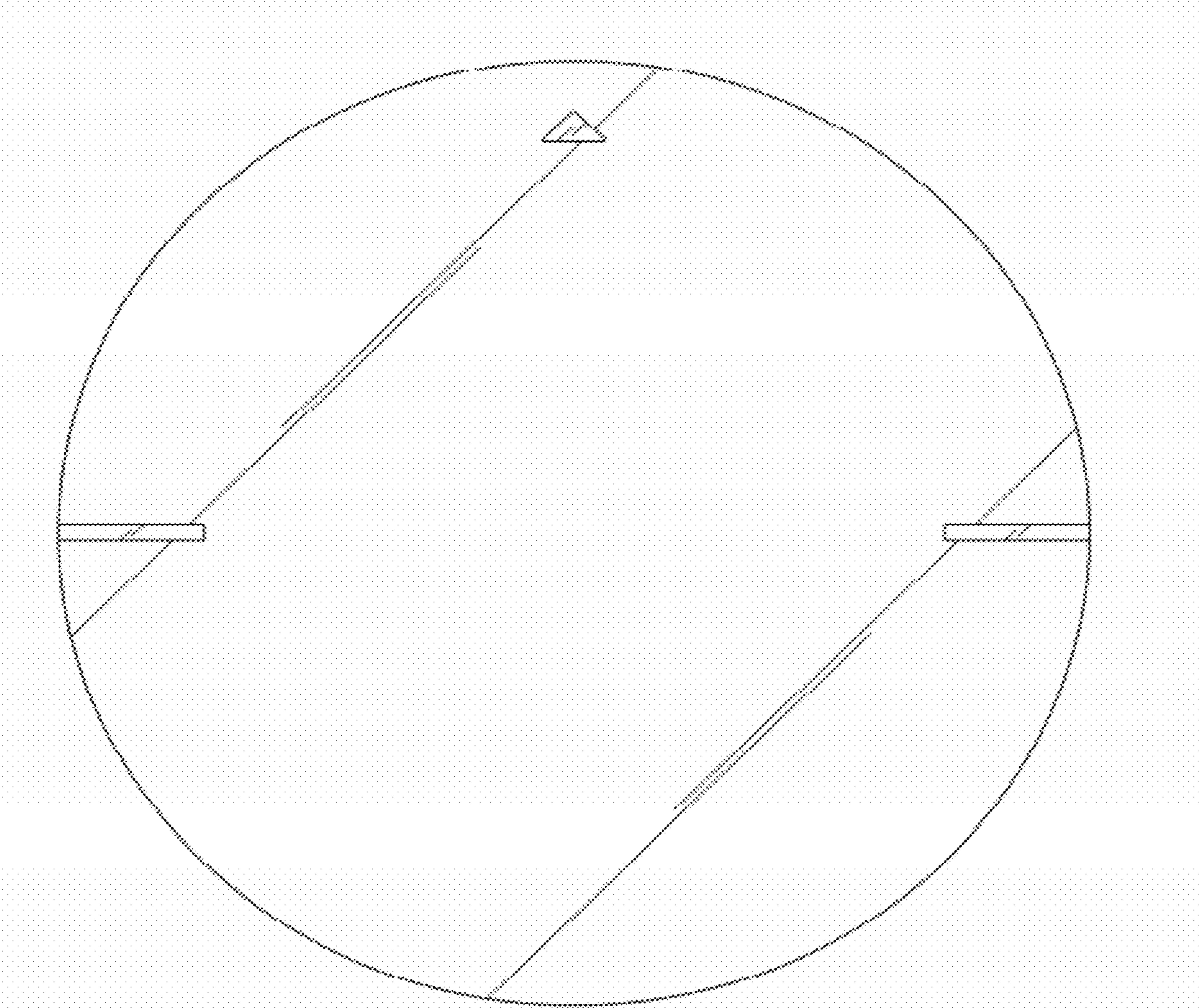


FIG. 8

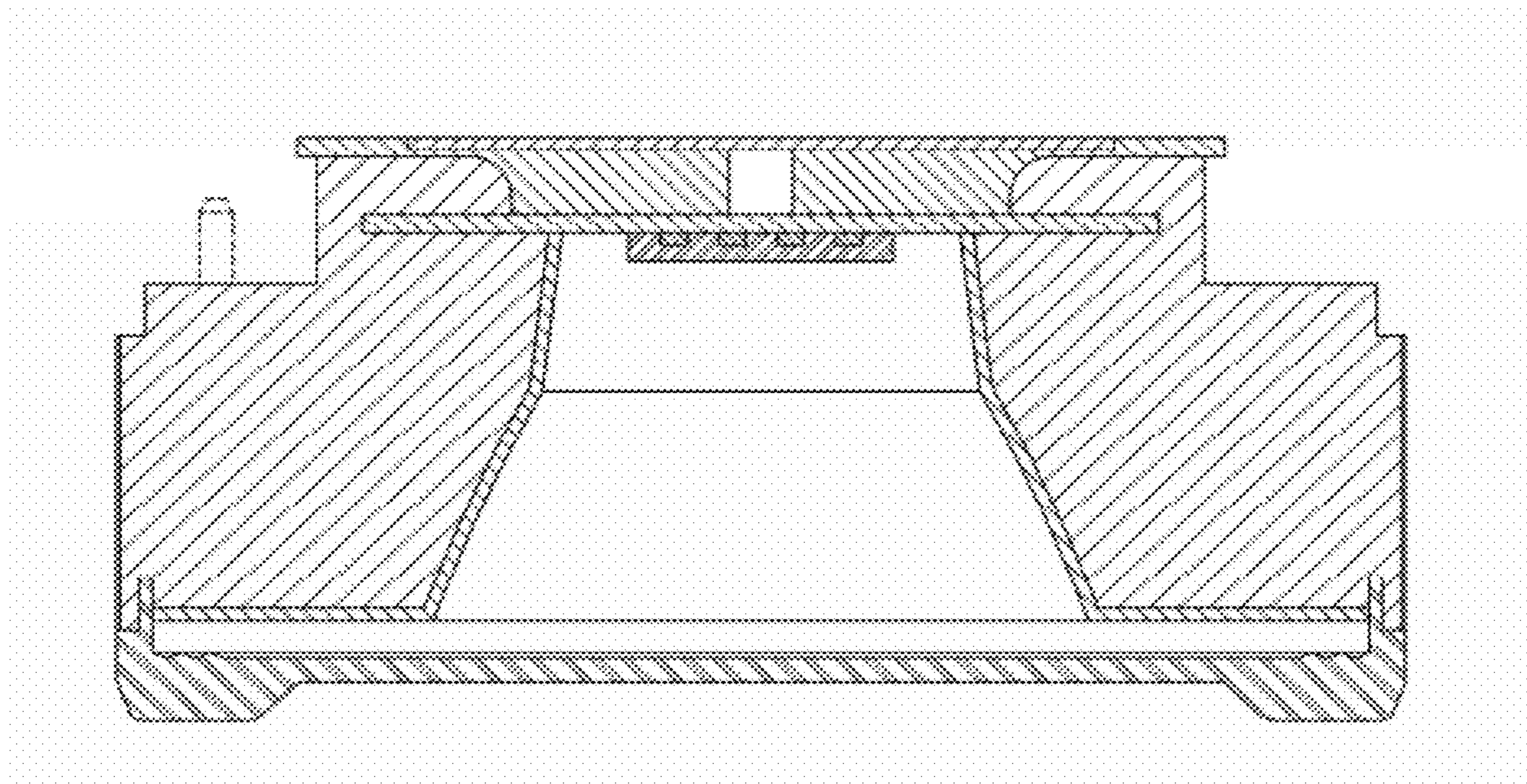


FIG. 9