

US00D662621S

(12) **United States Design Patent**
Yamamoto et al.

(10) **Patent No.:** **US D662,621 S**
(45) **Date of Patent:** **** Jun. 26, 2012**

(54) **LIGHT EMITTING DIODE LAMP**

DESCRIPTION

(75) Inventors: **Junichiro Yamamoto**, Kanagawa (JP);
Shigeru Osawa, Kanagawa (JP);
Yuichiro Takahara, Kanagawa (JP);
Tomohiko Sato, Tokyo (JP)

(73) Assignee: **Toshiba Lighting & Technology Corporation**, Kanagawa (JP)

(**) Term: **14 Years**

(21) Appl. No.: **29/398,712**

(22) Filed: **Aug. 3, 2011**

(30) **Foreign Application Priority Data**

Feb. 9, 2011 (JP) 2011-002700
Feb. 9, 2011 (JP) 2011-002701
Feb. 9, 2011 (JP) 2011-002702

(51) **LOC (9) Cl.** **26-04**

(52) **U.S. Cl.** **D26/2**

(58) **Field of Classification Search** D26/1-4;
313/313, 315, 316, 317, 318, 493; 315/52,
315/53, 56, 57, 58

See application file for complete search history.

(56) **References Cited**

U.S. PATENT DOCUMENTS

D397,233 S 8/1998 Bassford
(Continued)

FOREIGN PATENT DOCUMENTS

JP D1406629 2/2011
(Continued)

Primary Examiner — Marcus Jackson

(74) *Attorney, Agent, or Firm* — J.C. Patents

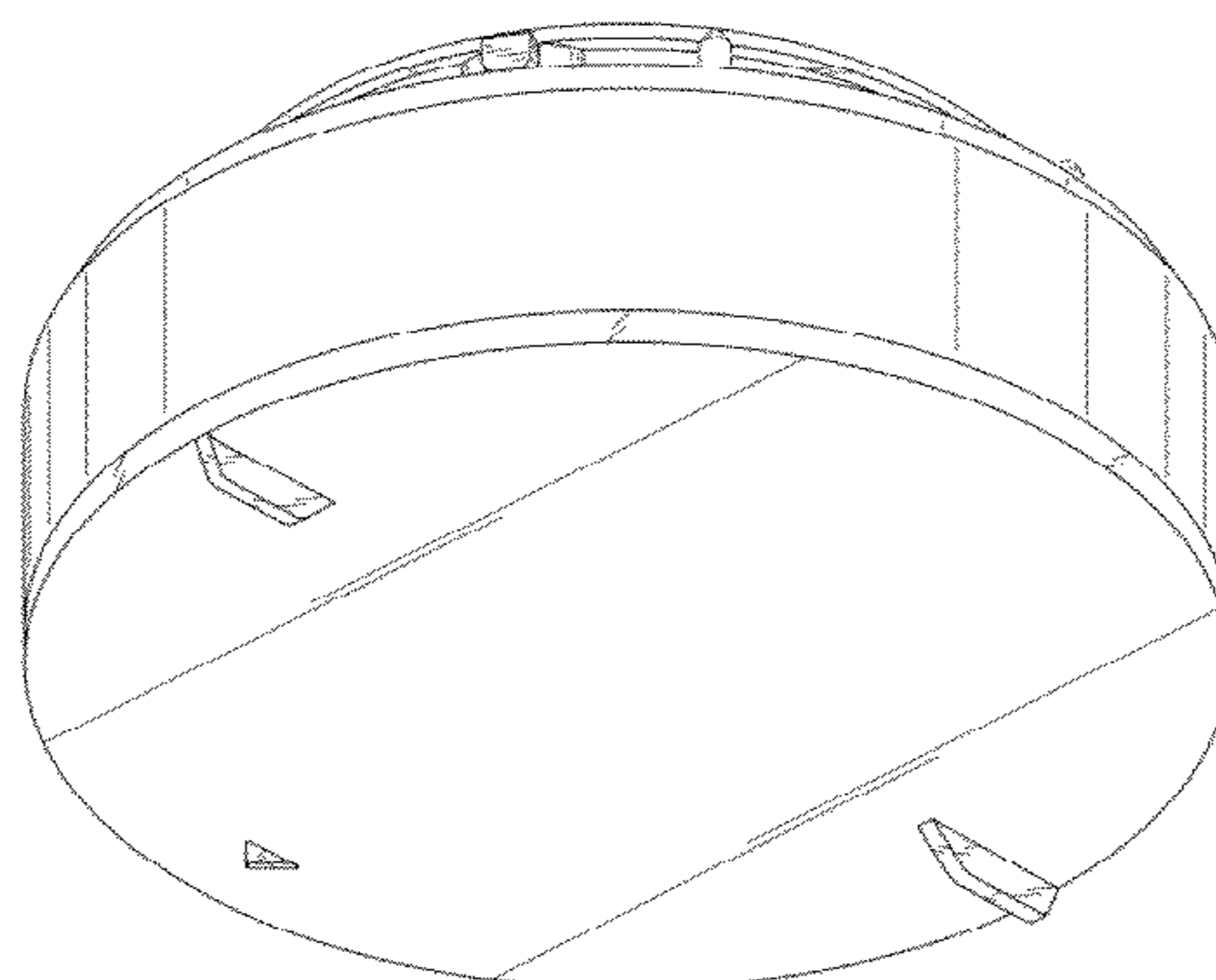
(57) **CLAIM**

The ornamental design for a light emitting diode lamp, as shown and described.

FIG. 1 is a perspective view of a light emitting diode lamp showing a first embodiment of our new design; FIG. 2 is another perspective view of the first embodiment; FIG. 3 is a front view of the first embodiment; FIG. 4 is a rear view of the first embodiment; FIG. 5 is a left side view of the first embodiment; FIG. 6 is a right side view of the first embodiment; FIG. 7 is a top view of the first embodiment; FIG. 8 is a bottom view of the first embodiment; FIG. 9 is a cross-sectional view taken along line 9-9 in FIG. 6; FIG. 10 is a perspective view of a light emitting diode lamp showing a second embodiment of our new design; FIG. 11 is another perspective view of the second embodiment; FIG. 12 is a front view of the second embodiment; FIG. 13 is a rear view of the second embodiment; FIG. 14 is a left side view of the second embodiment; FIG. 15 is a right side view of the second embodiment; FIG. 16 is a top view of the second embodiment; FIG. 17 is a bottom view of the second embodiment; FIG. 18 is a cross-sectional view taken along line 18-18 in FIG. 15; FIG. 19 is a perspective view of a light emitting diode lamp showing a third embodiment of our new design; FIG. 20 is another perspective view of the third embodiment; FIG. 21 is a front view of the third embodiment; FIG. 22 is a rear view of the third embodiment; FIG. 23 is a left side view of the third embodiment; FIG. 24 is a right side view of the third embodiment; FIG. 25 is a top view of the third embodiment; FIG. 26 is a bottom view of the third embodiment; and, FIG. 27 is a cross-sectional view taken along line 27-27 in FIG. 24.

The portions shown in double cross-hatched lines in FIGS. 9, 18 and 27 are pervious to light. The broken lines shown in the drawings are for illustrative purposes only and form no part of the claimed design.

1 Claim, 21 Drawing Sheets



US D662,621 S

Page 2

U.S. PATENT DOCUMENTS

D547,886 S 7/2007 Foo
D578,299 S 10/2008 Dennis
D581,081 S 11/2008 Mier-Langner
D583,967 S 12/2008 Leunis
D598,873 S 8/2009 Tseng
D614,321 S 4/2010 Yang
D621,969 S 8/2010 Yamamoto et al.
D621,970 S 8/2010 Yamamoto et al.
D621,971 S 8/2010 Yamamoto et al.
D621,972 S 8/2010 Yamamoto et al.
D625,030 S * 10/2010 Yamamoto et al. D26/2
D625,031 S 10/2010 Yamamoto et al.
D625,440 S 10/2010 Yamamoto et al.

D627,492 S * 11/2010 Yamamoto et al. D26/2
D627,493 S 11/2010 Yamamoto et al.
D628,312 S 11/2010 Yamamoto et al.
D628,317 S * 11/2010 Yamamoto et al. D26/2
D628,318 S 11/2010 Yamamoto et al.
D628,722 S * 12/2010 Yamamoto et al. D26/2
D631,573 S * 1/2011 Yamamoto et al. D26/2

FOREIGN PATENT DOCUMENTS

JP D1407098 2/2011
JP D1407099 2/2011
JP D1410026 3/2011
JP D1410408 3/2011

* cited by examiner

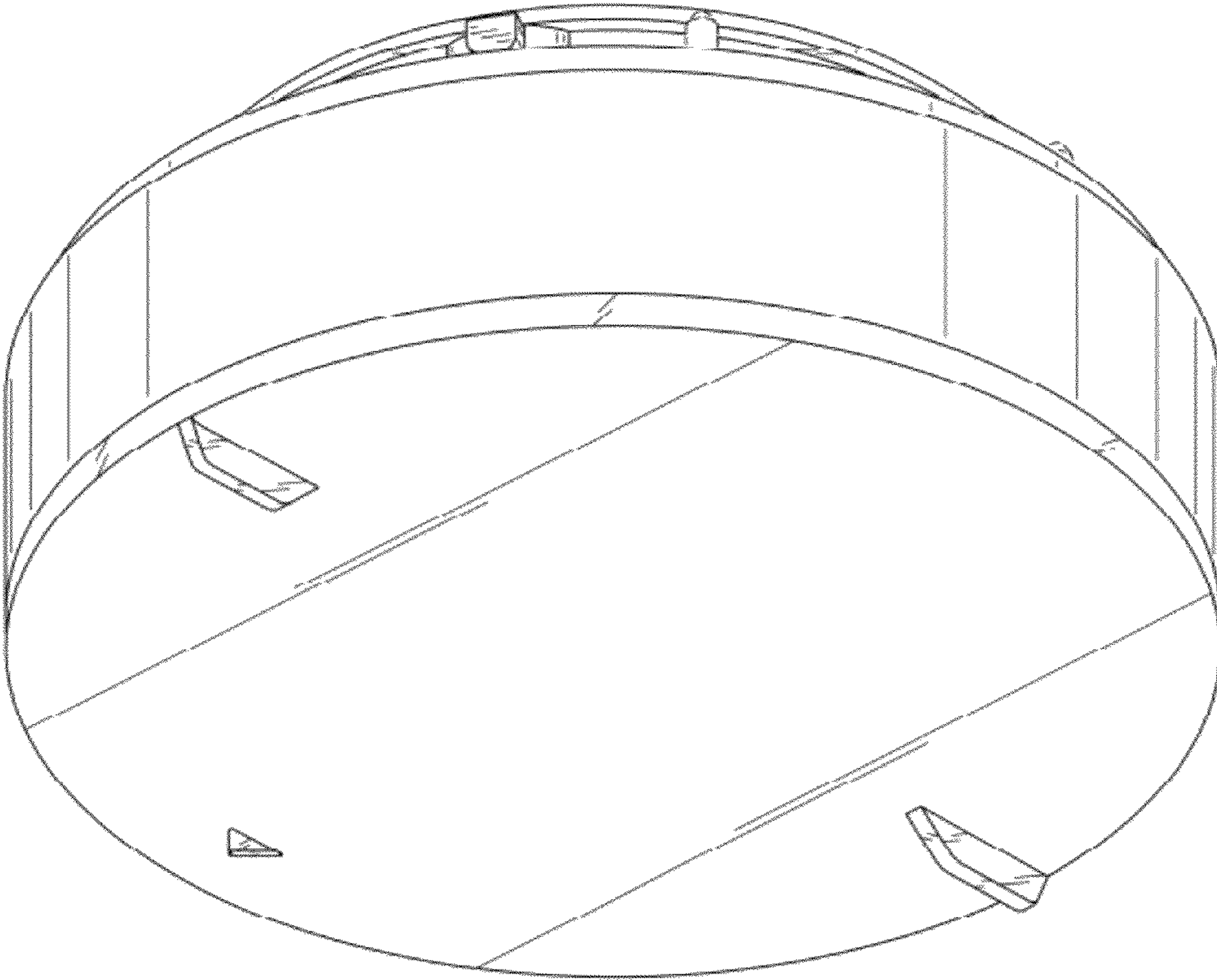


FIG. 1

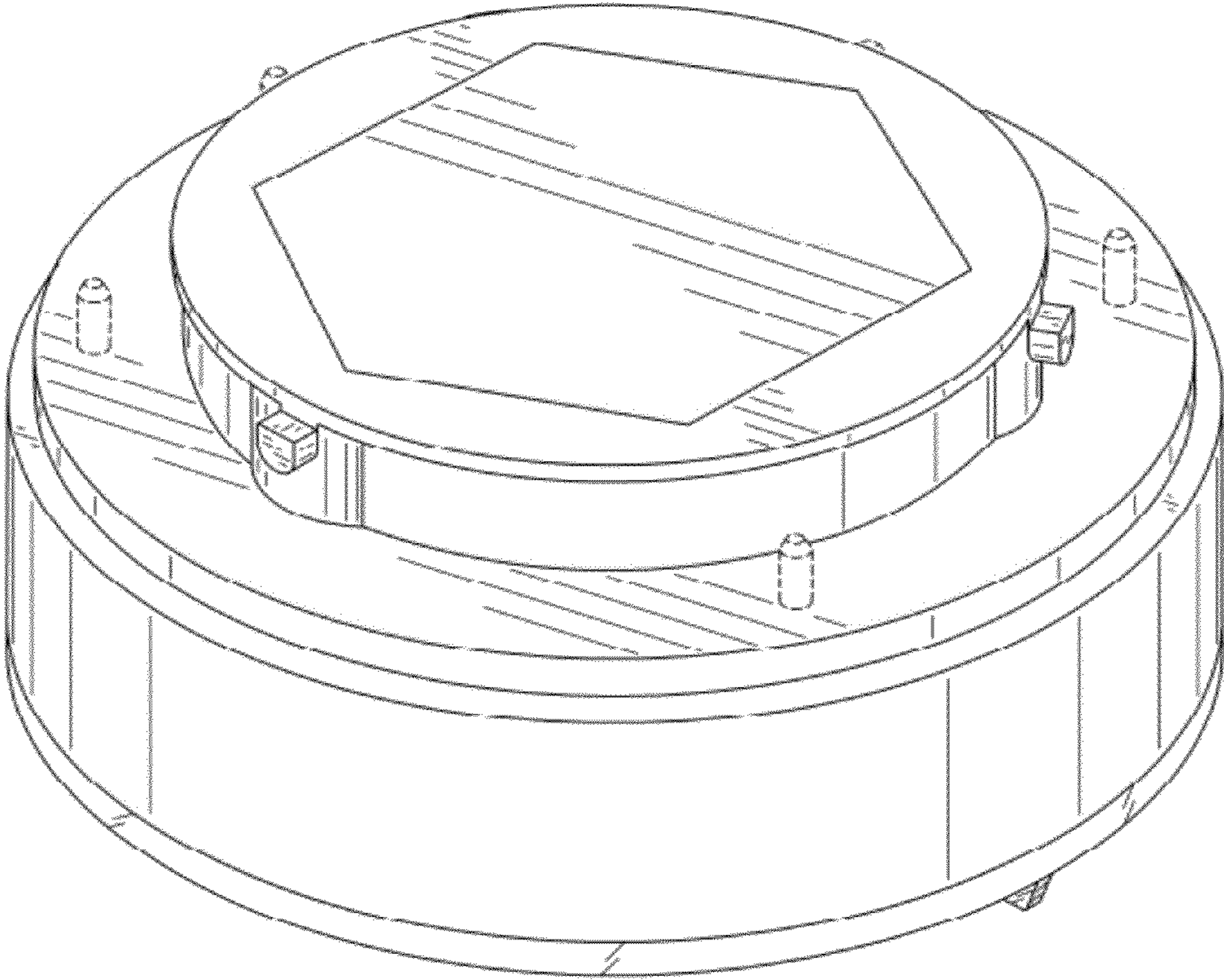


FIG. 2

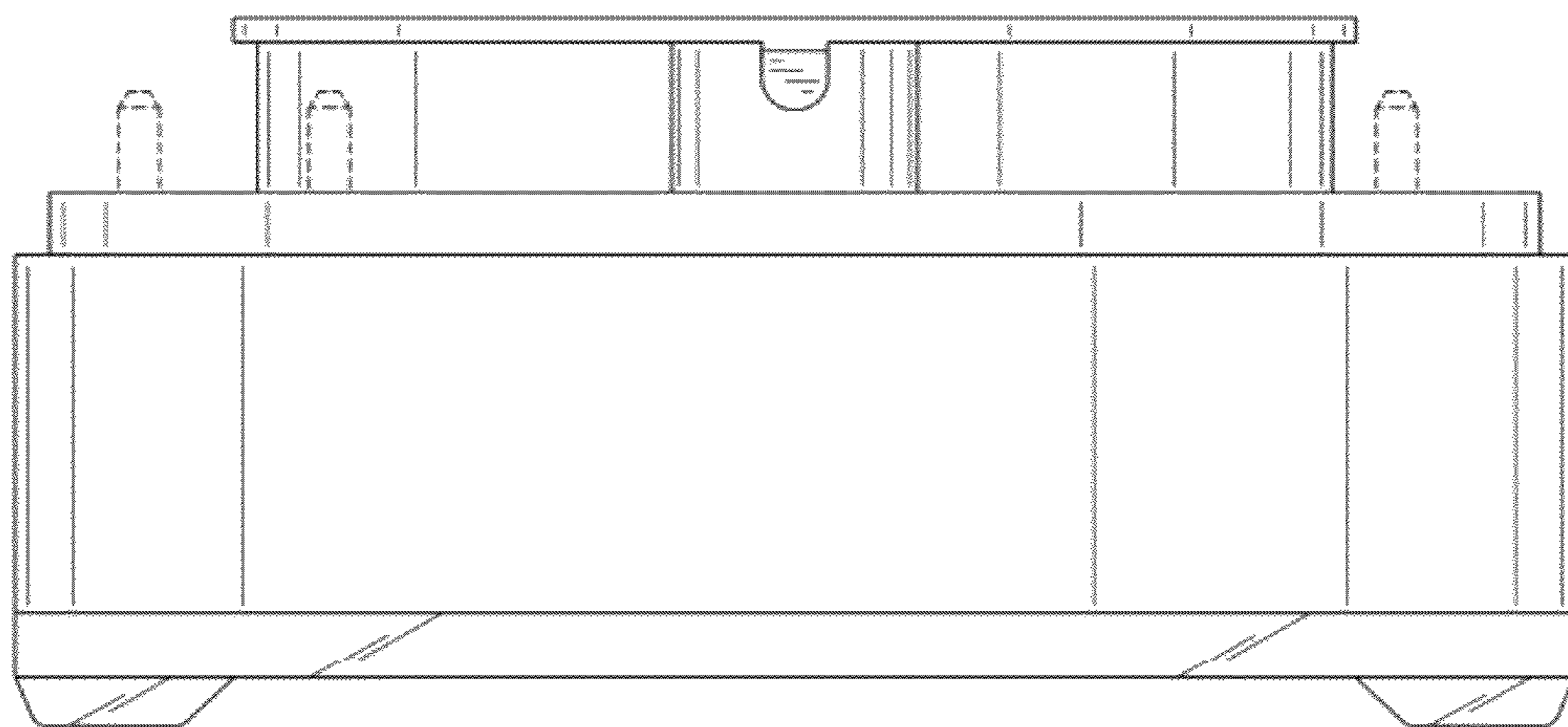


FIG. 3

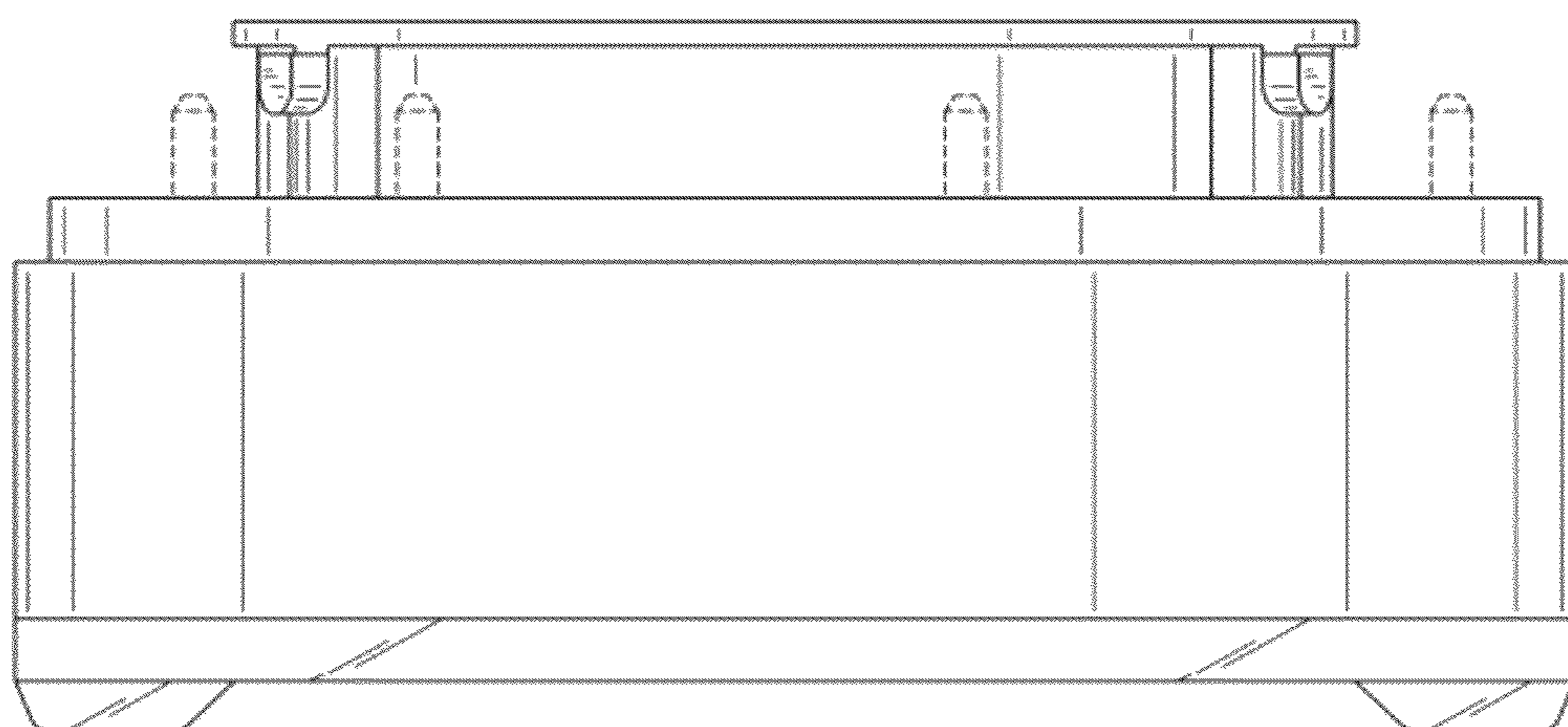


FIG. 4

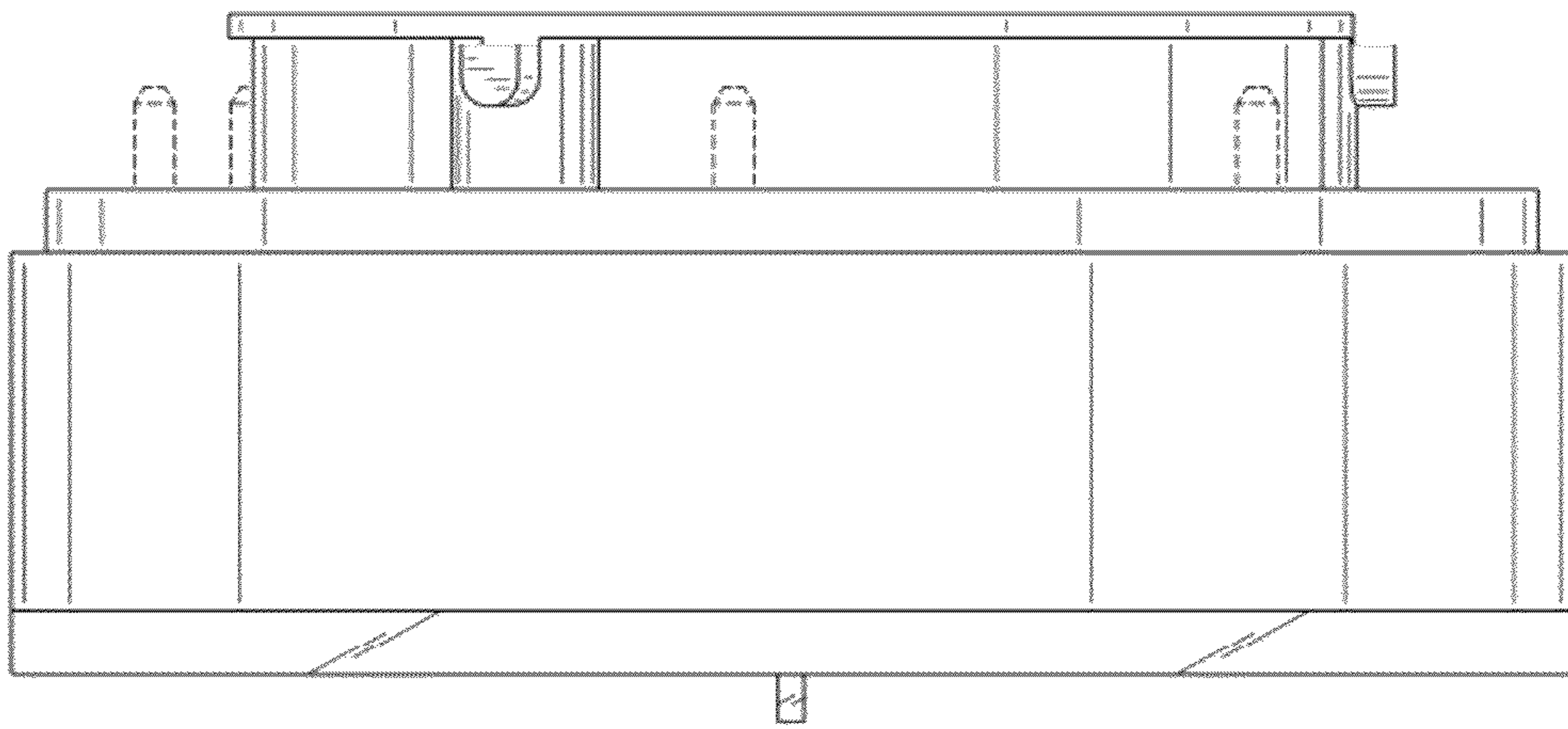


FIG. 5

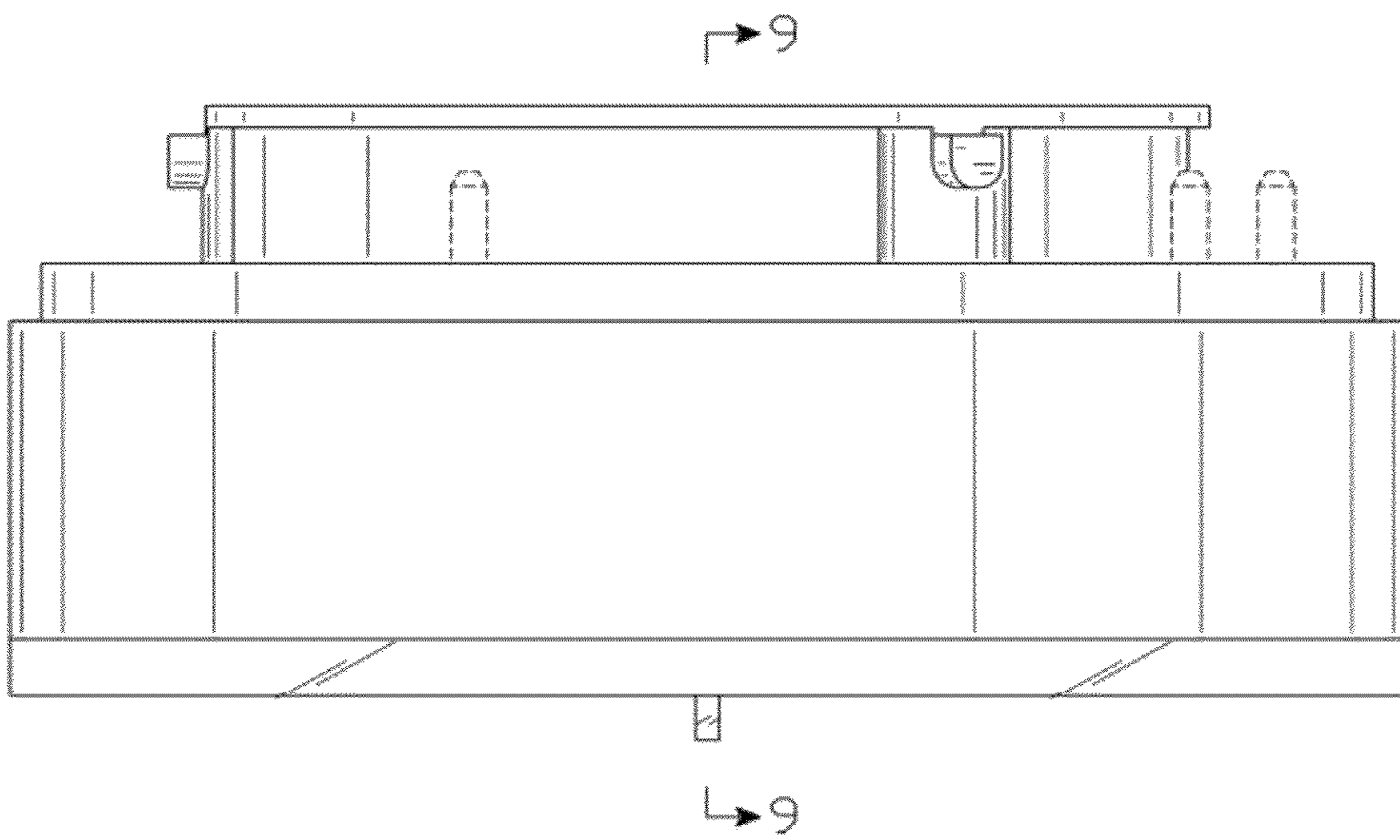


FIG. 6

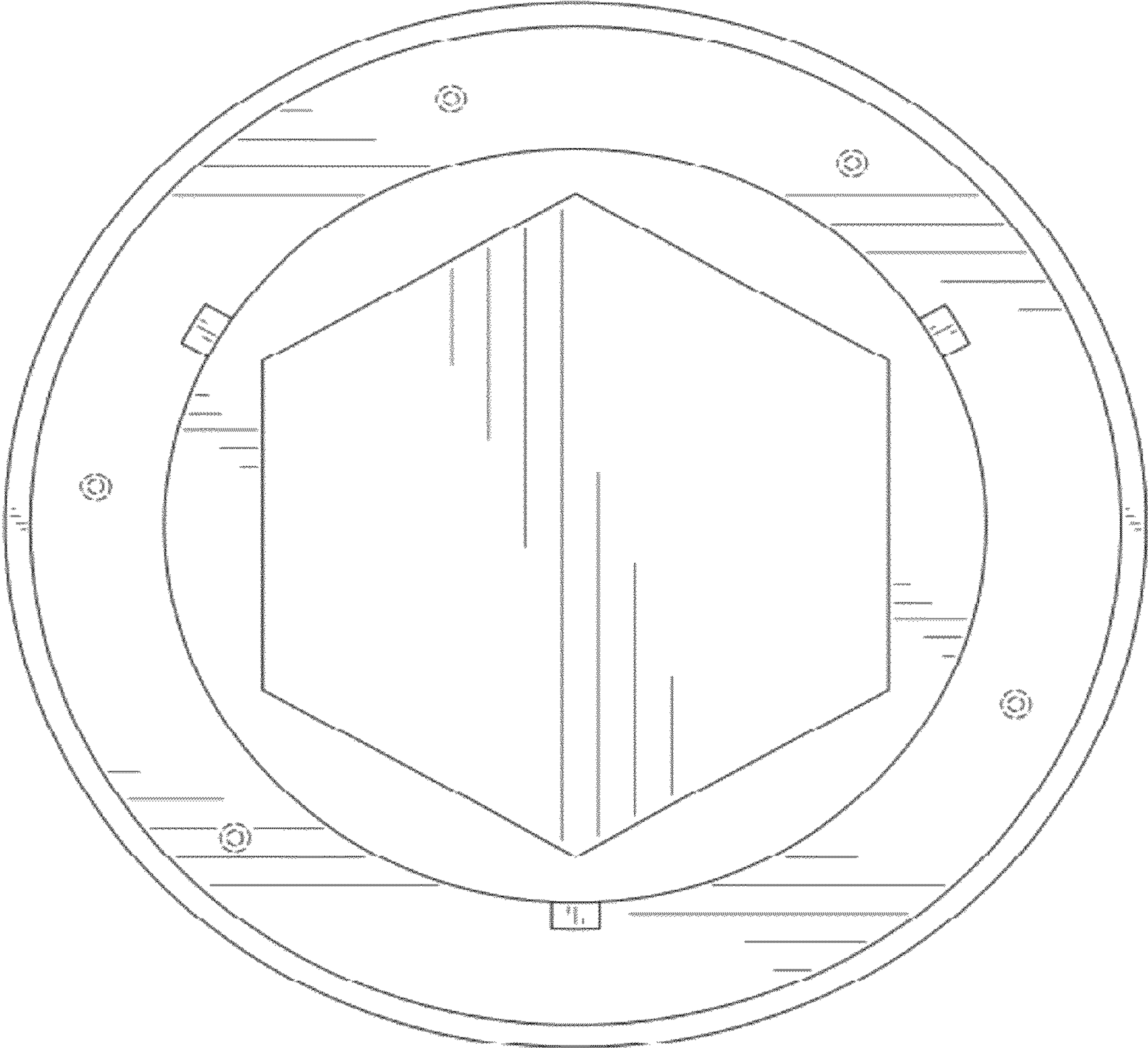


FIG. 7

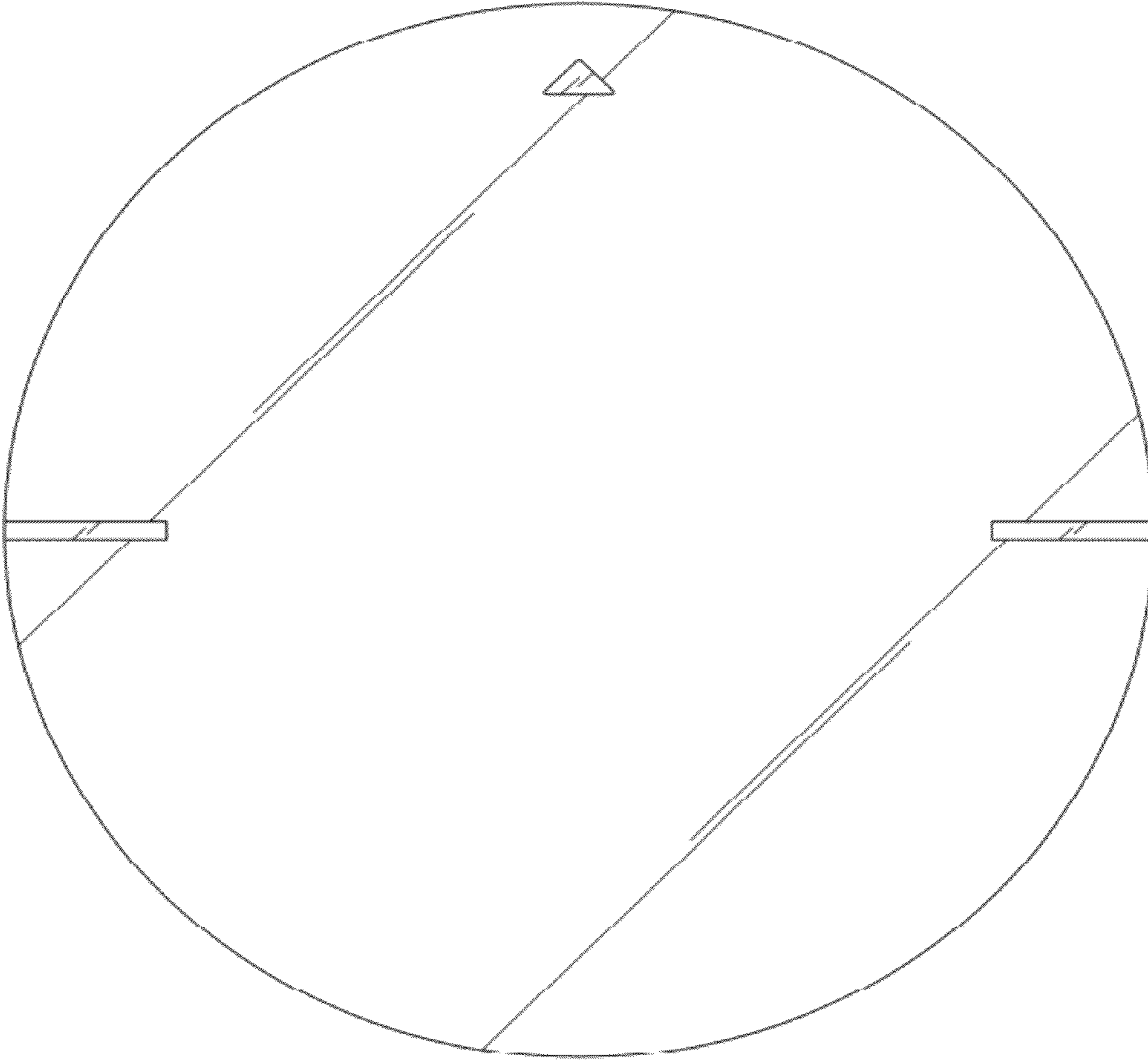


FIG. 8

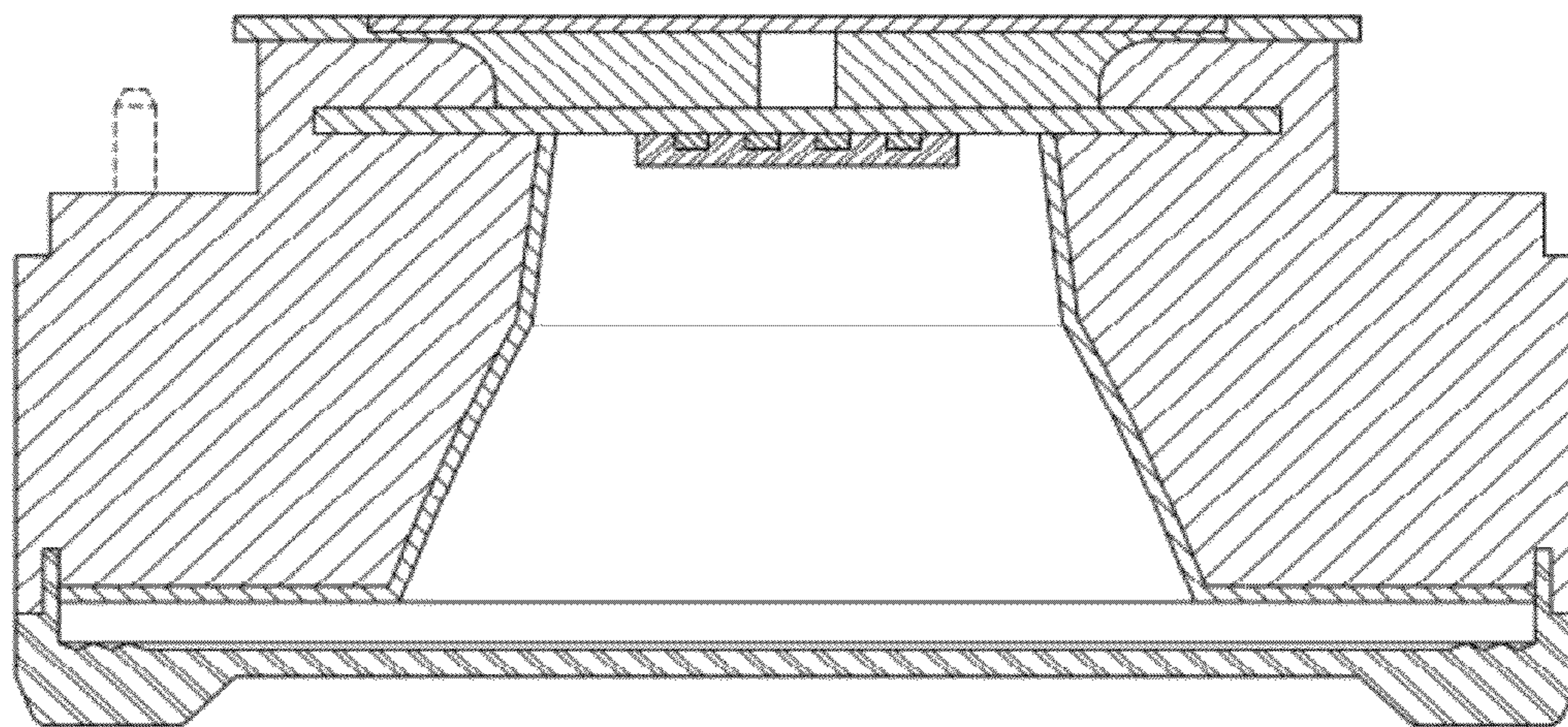


FIG. 9

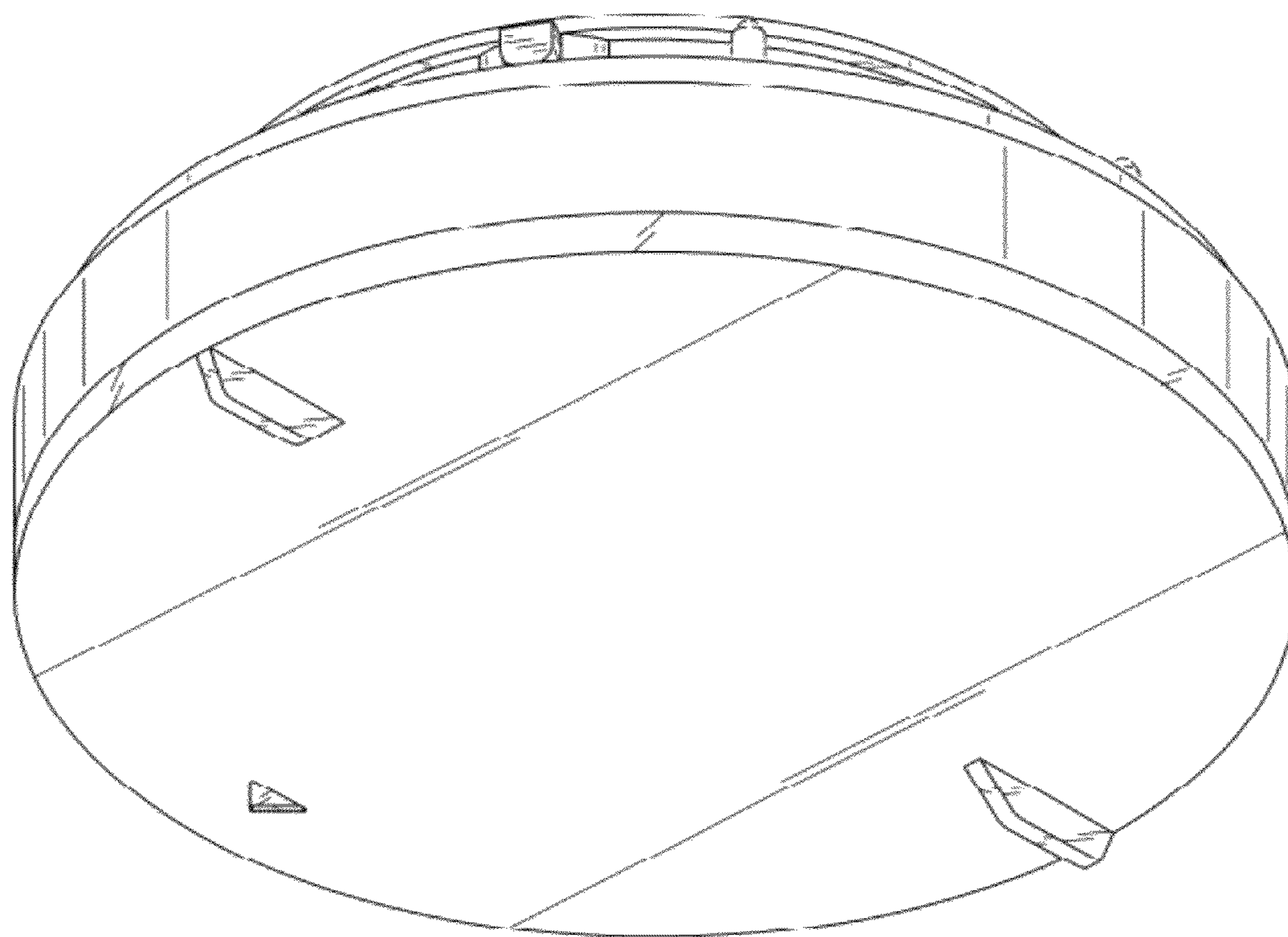


FIG. 10

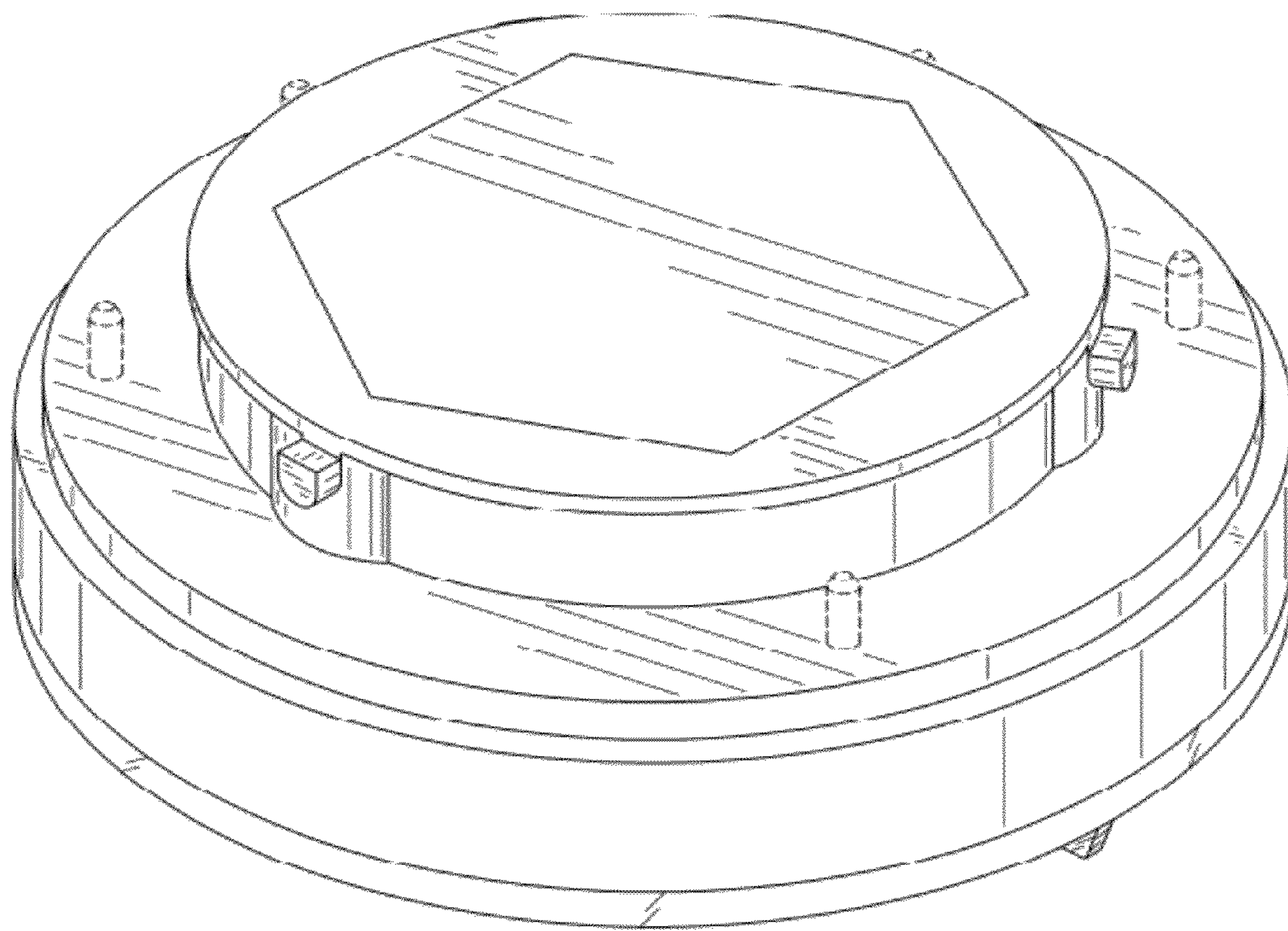


FIG. 11

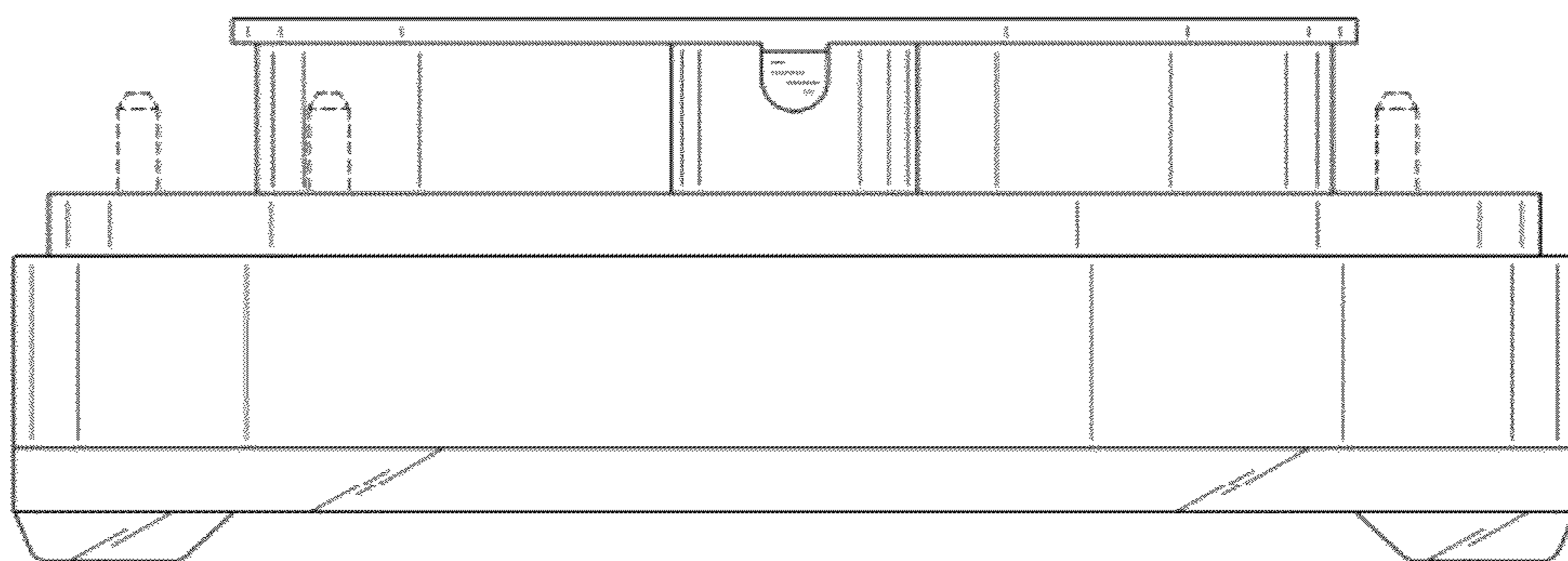


FIG. 12

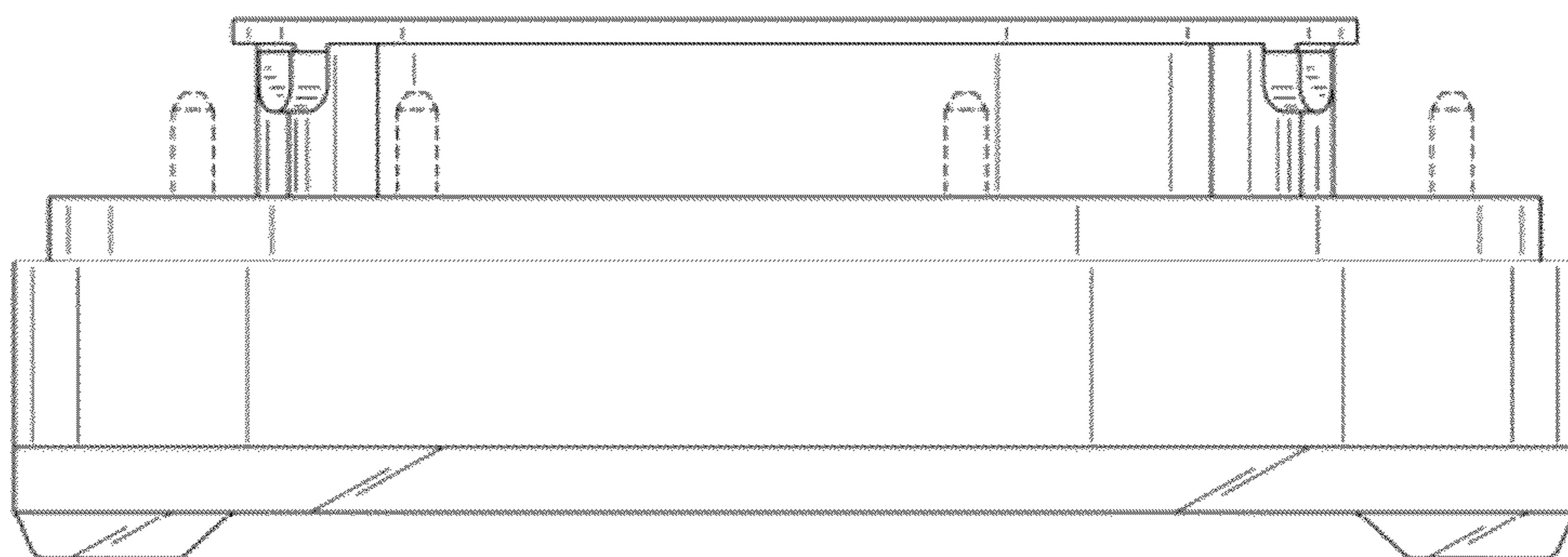


FIG. 13

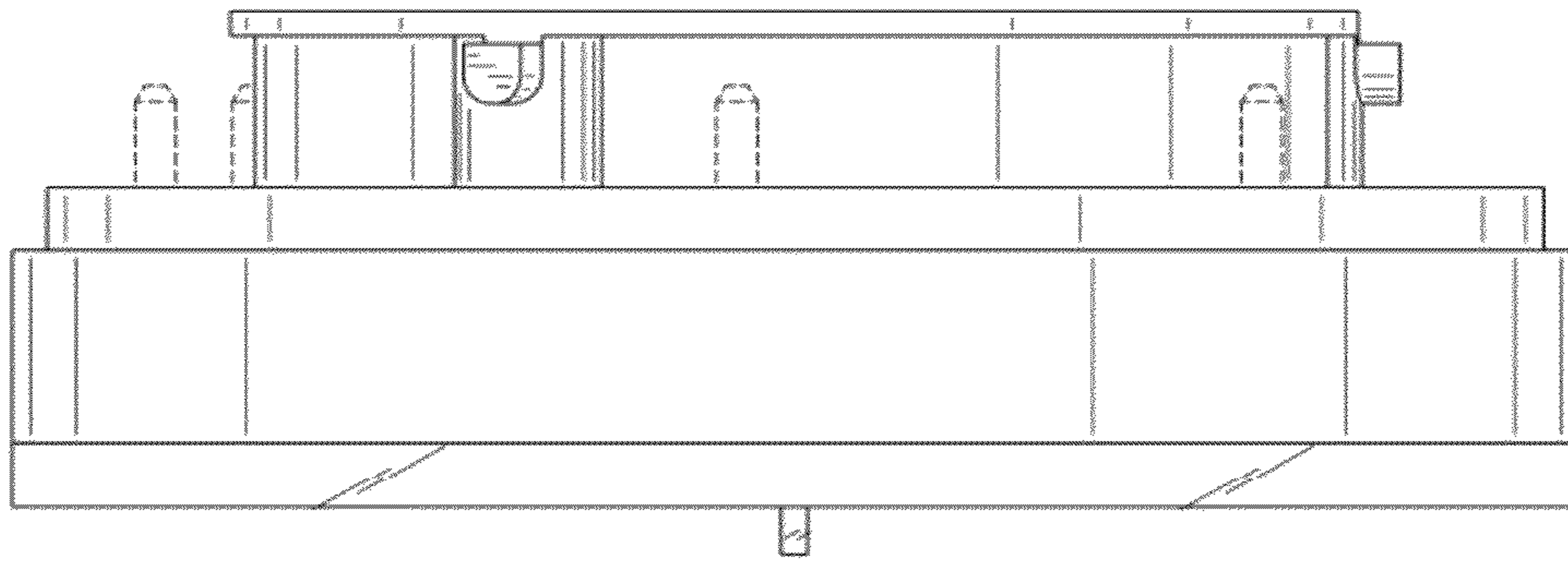


FIG. 14

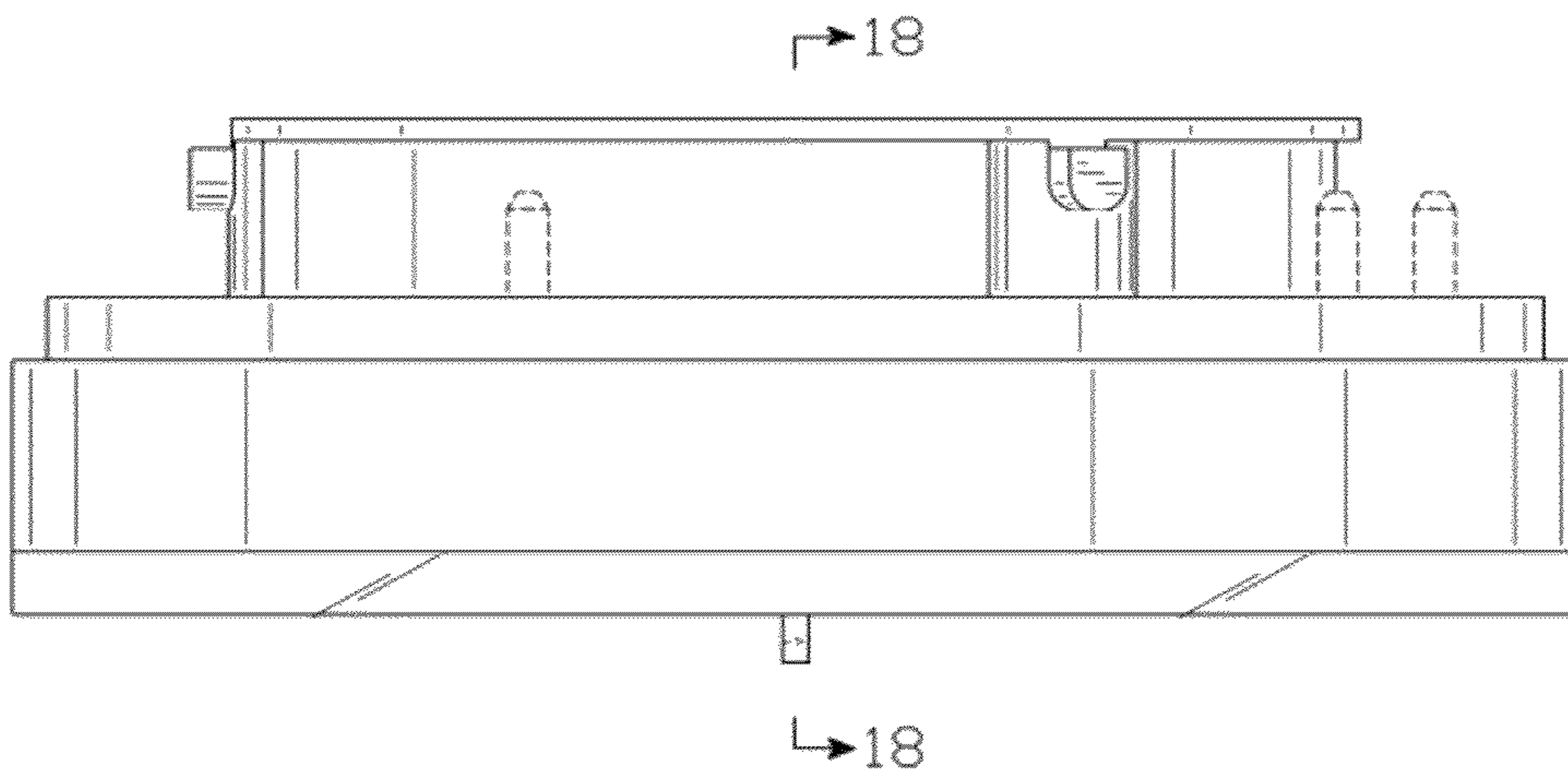


FIG. 15

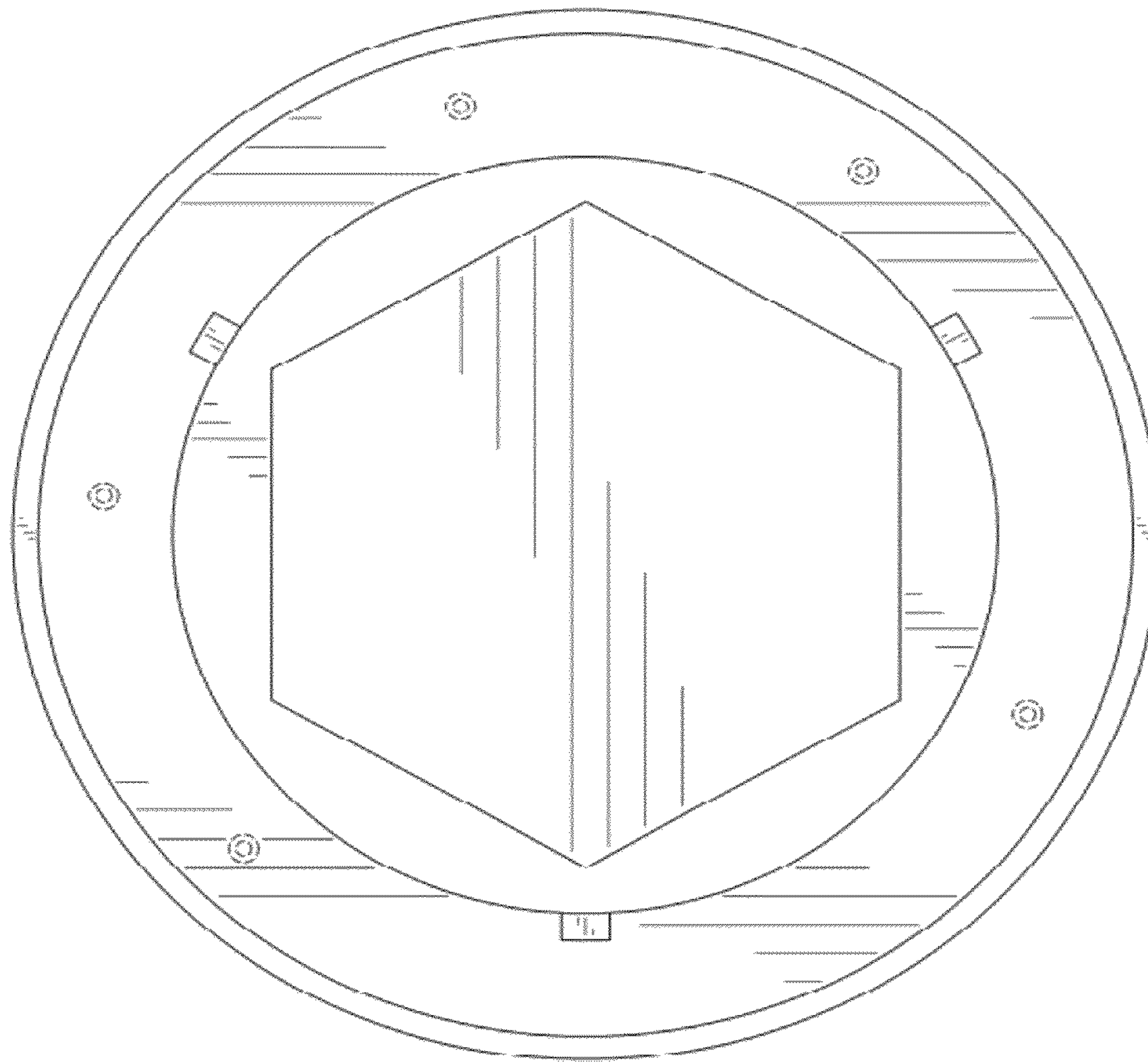


FIG. 16

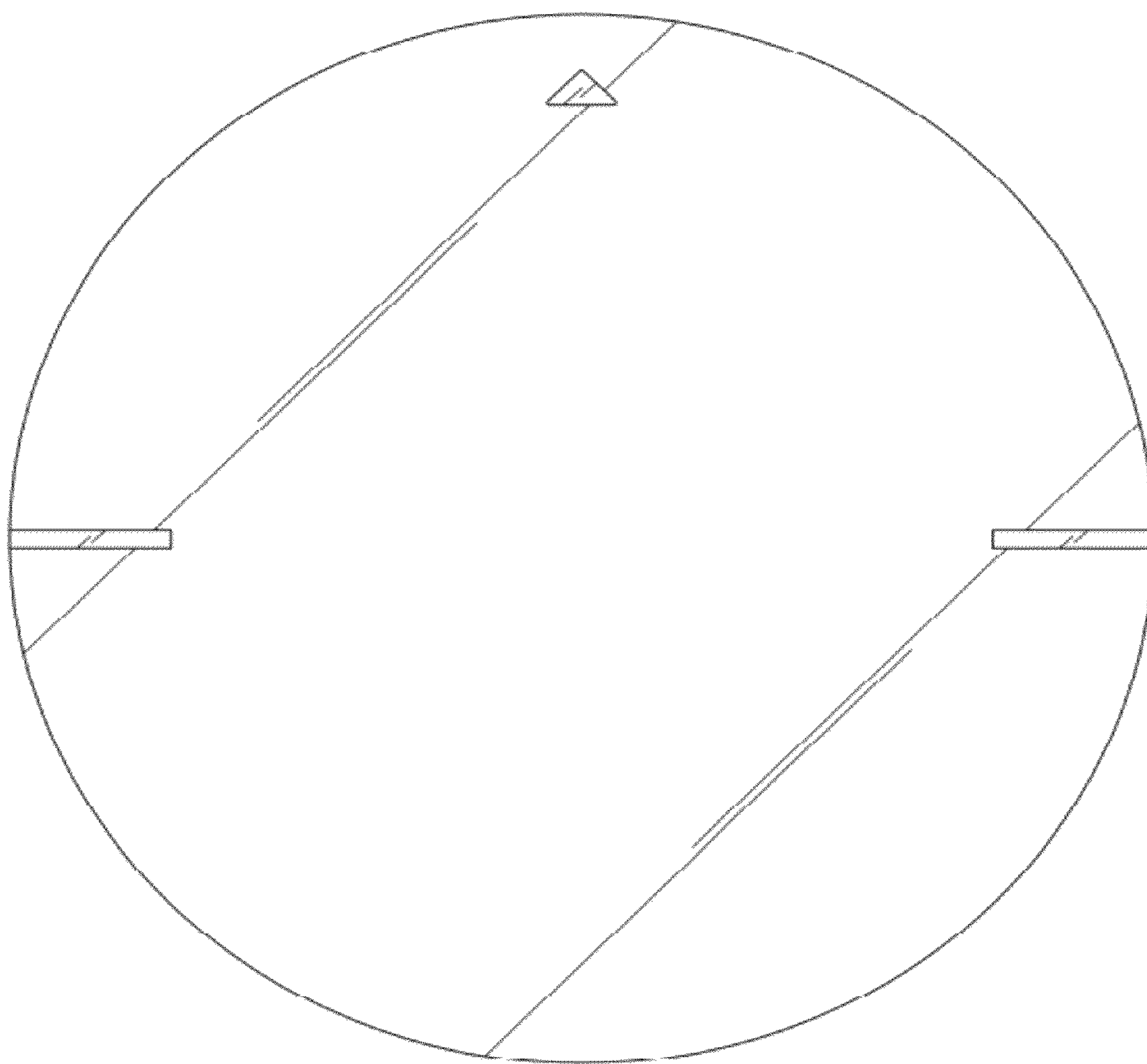


FIG. 17

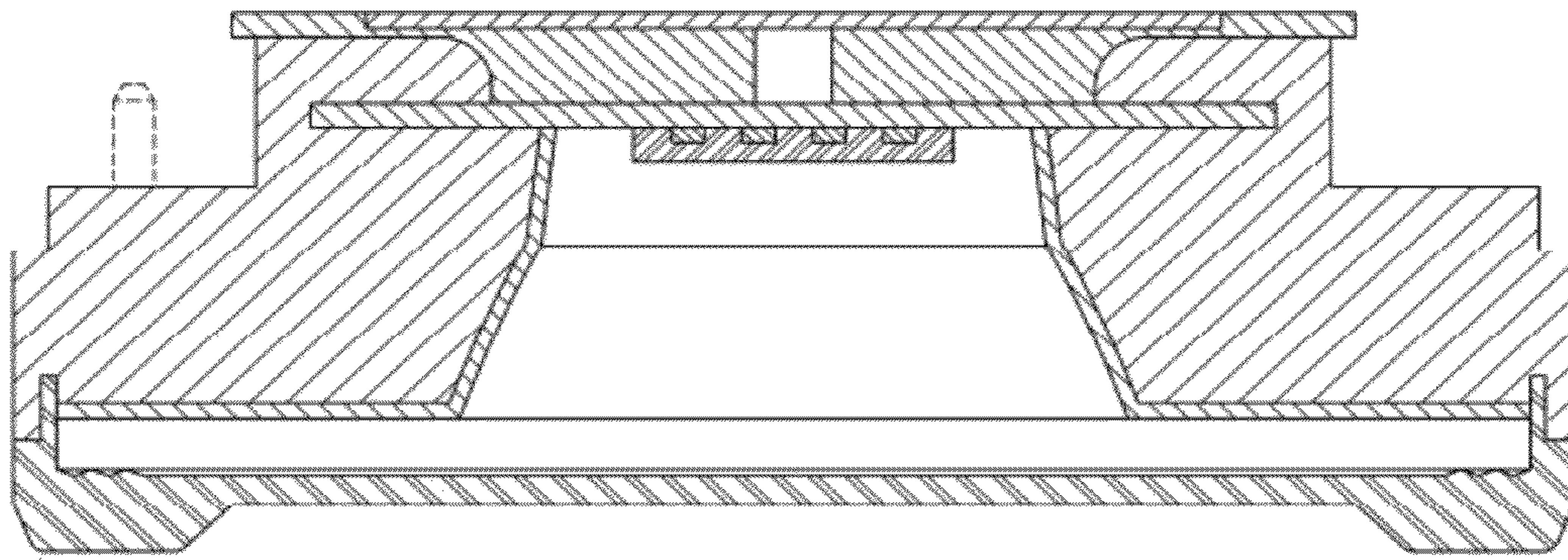


FIG. 18

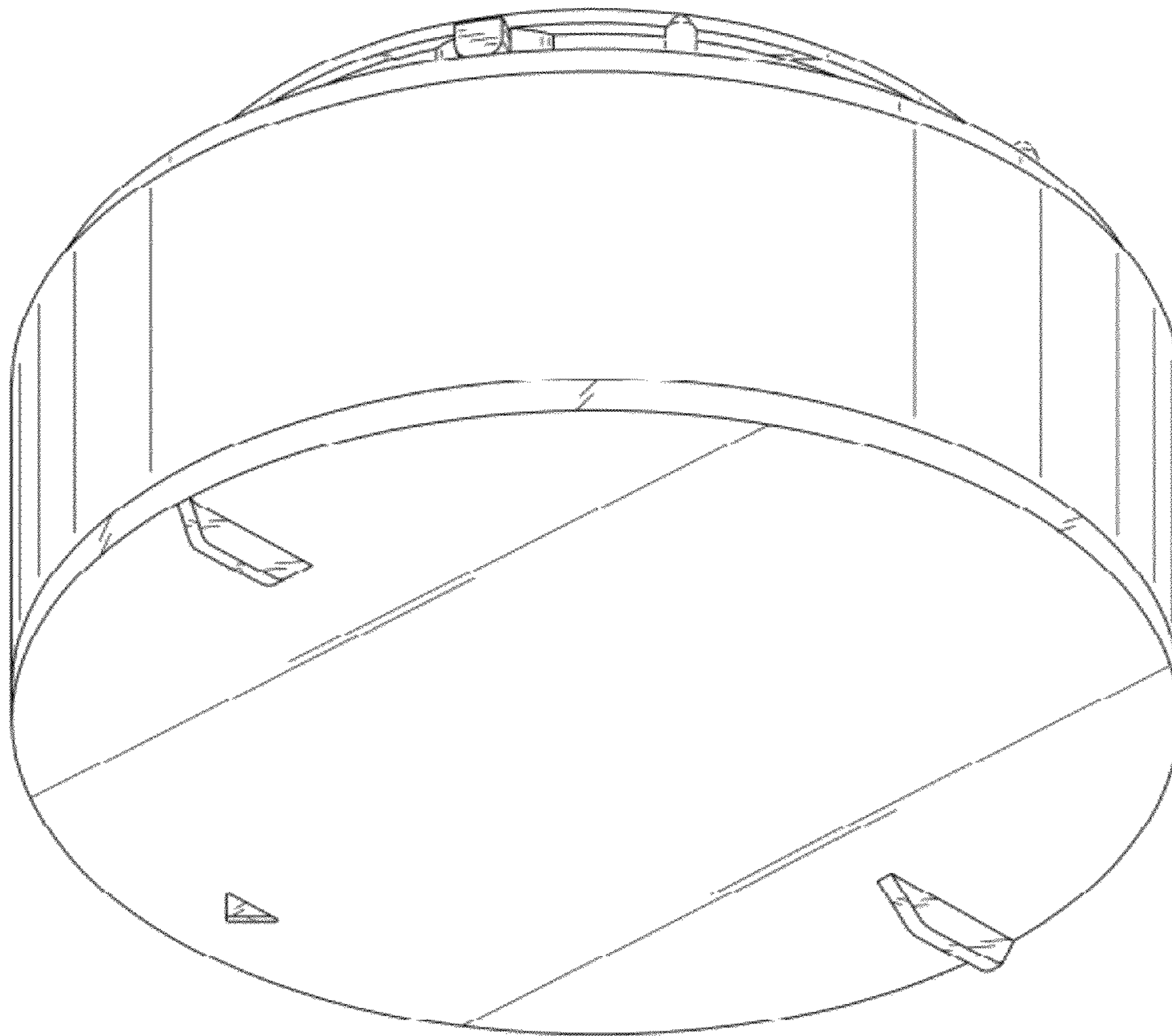


FIG. 19

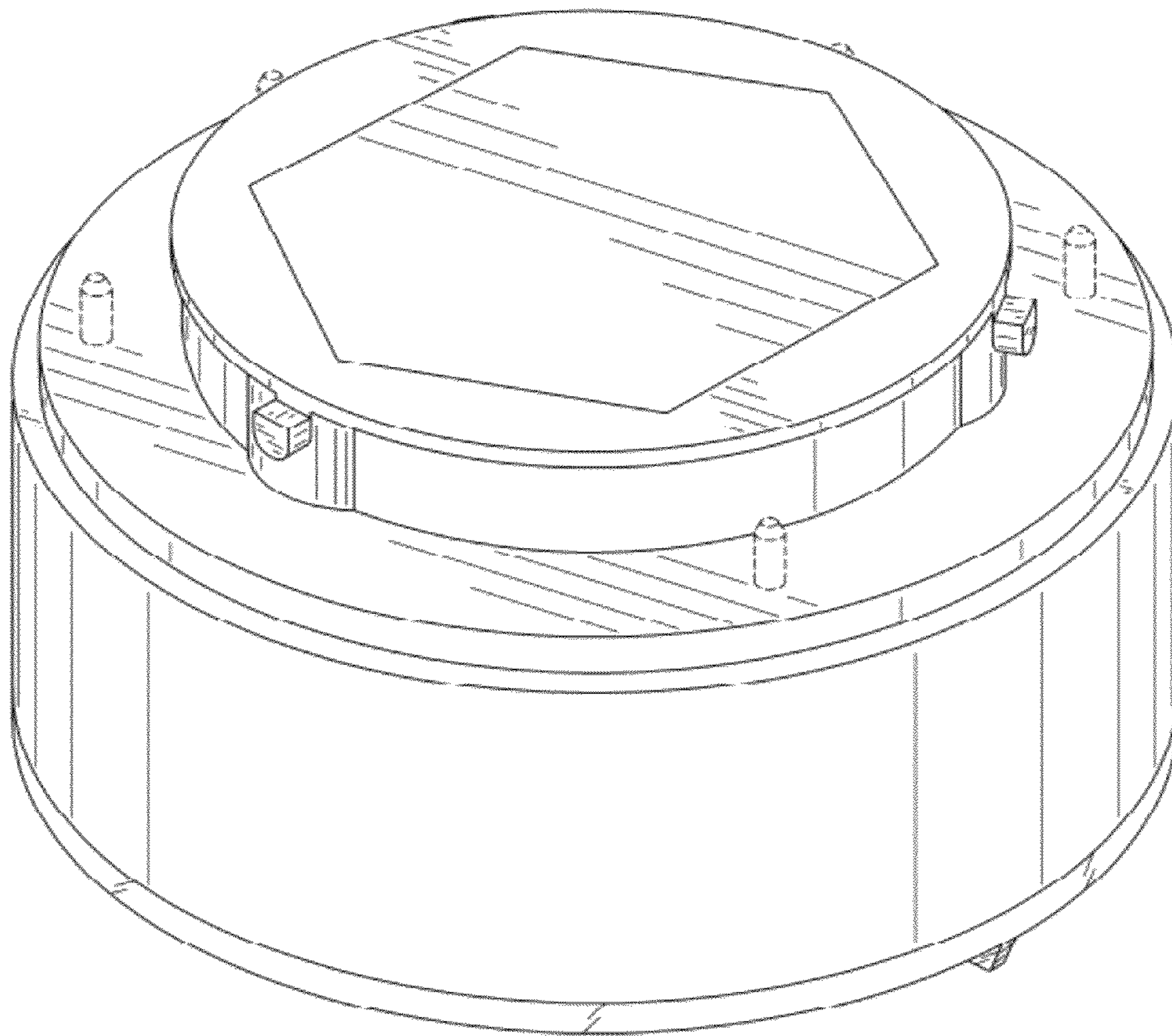


FIG. 20

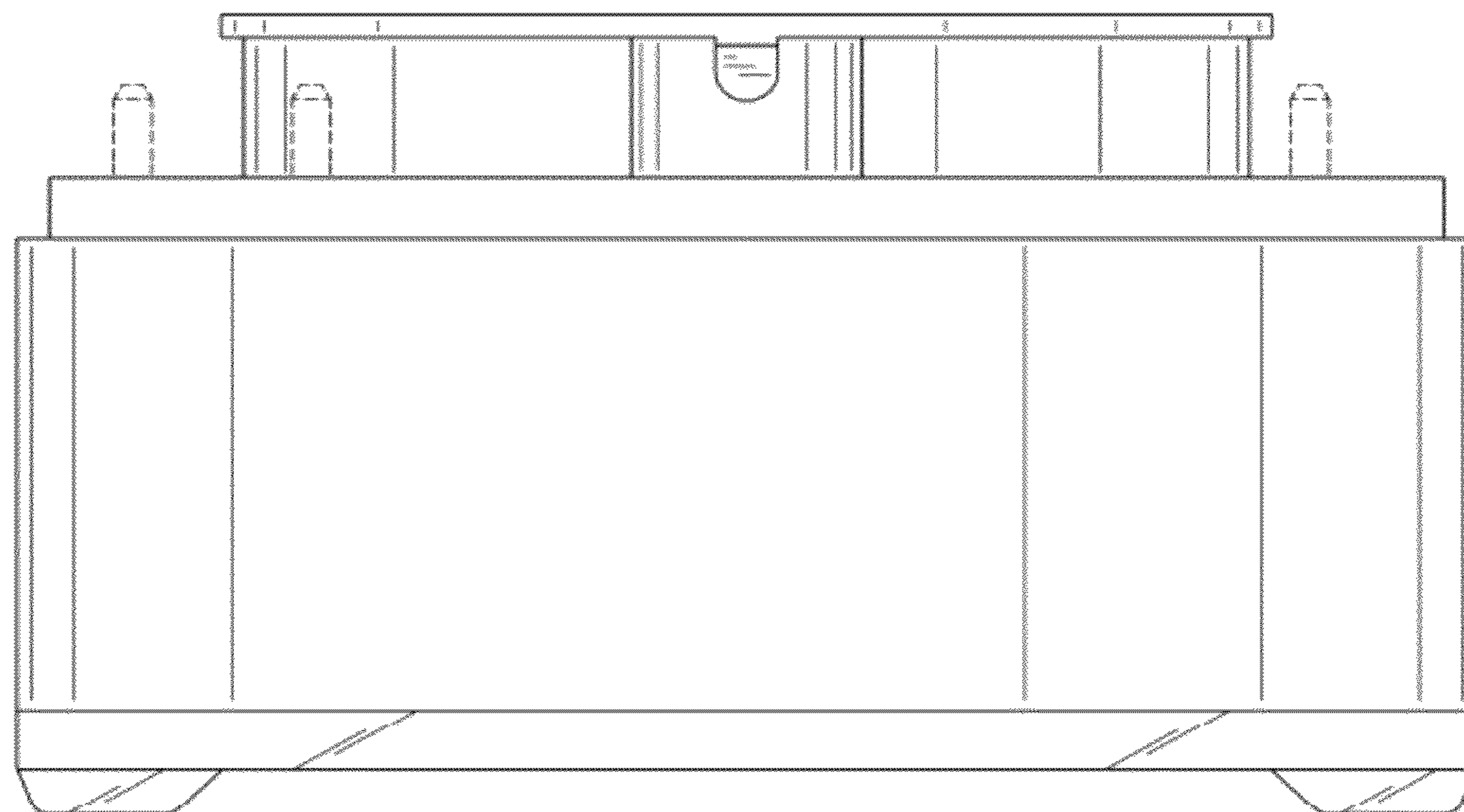


FIG. 21

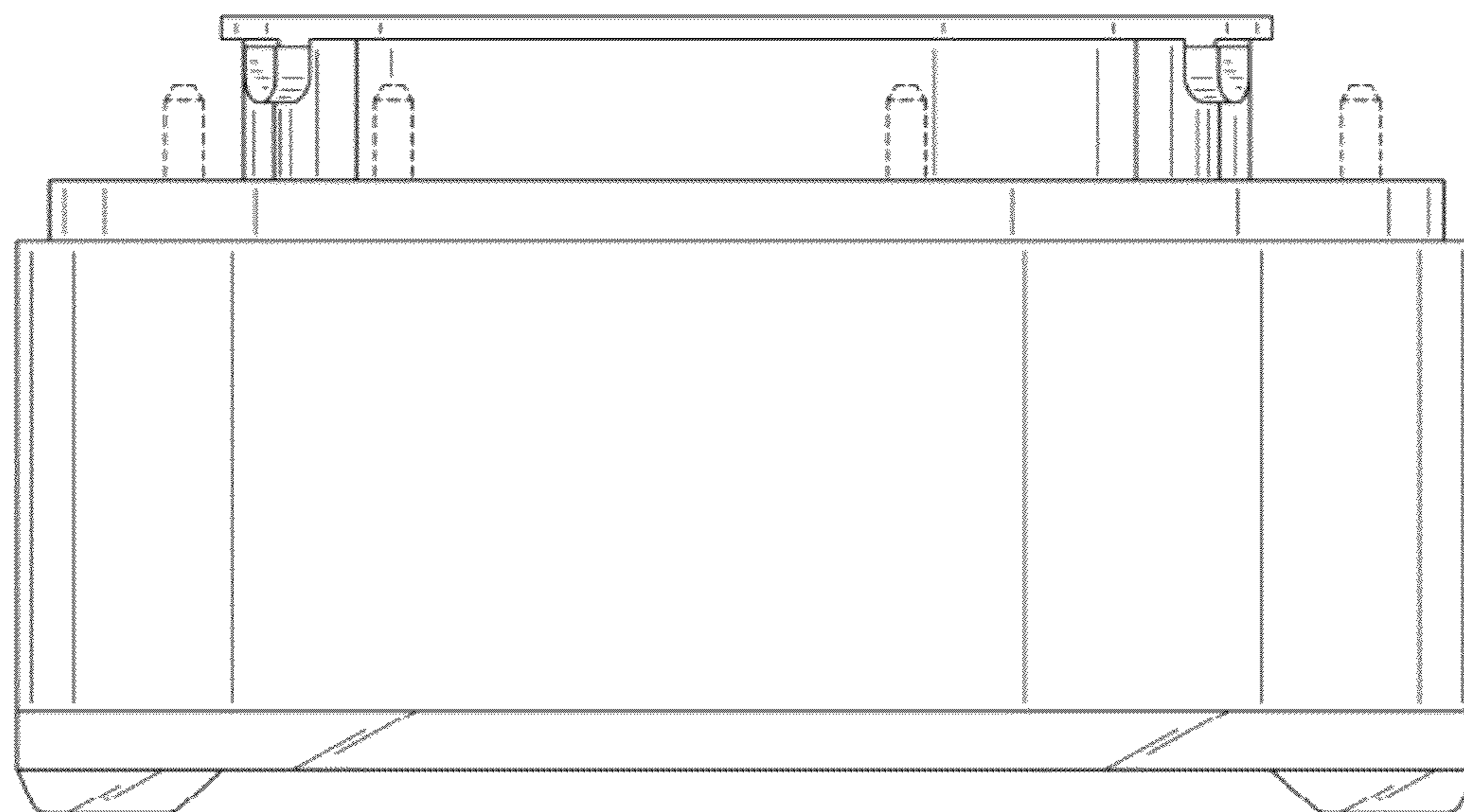


FIG. 22

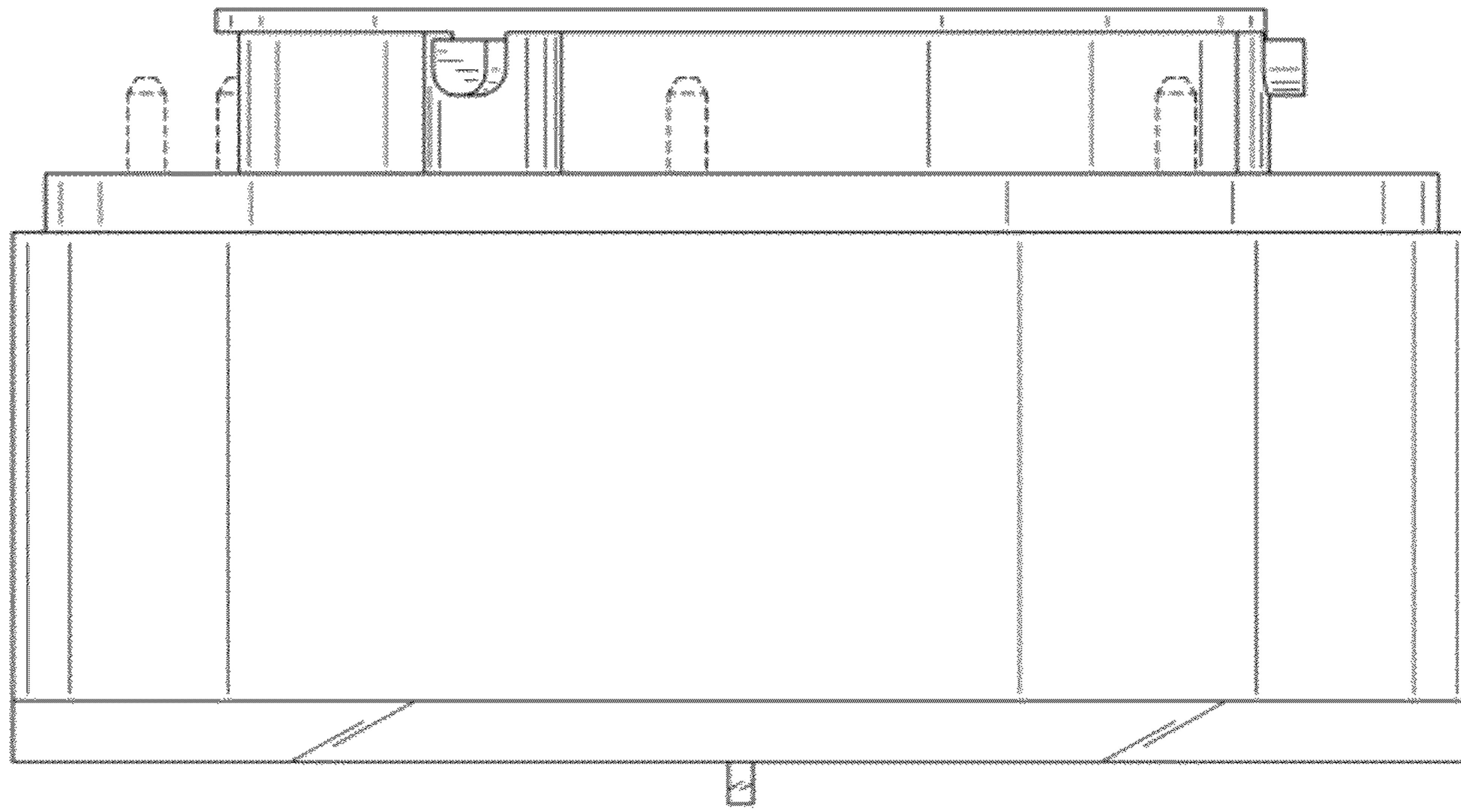
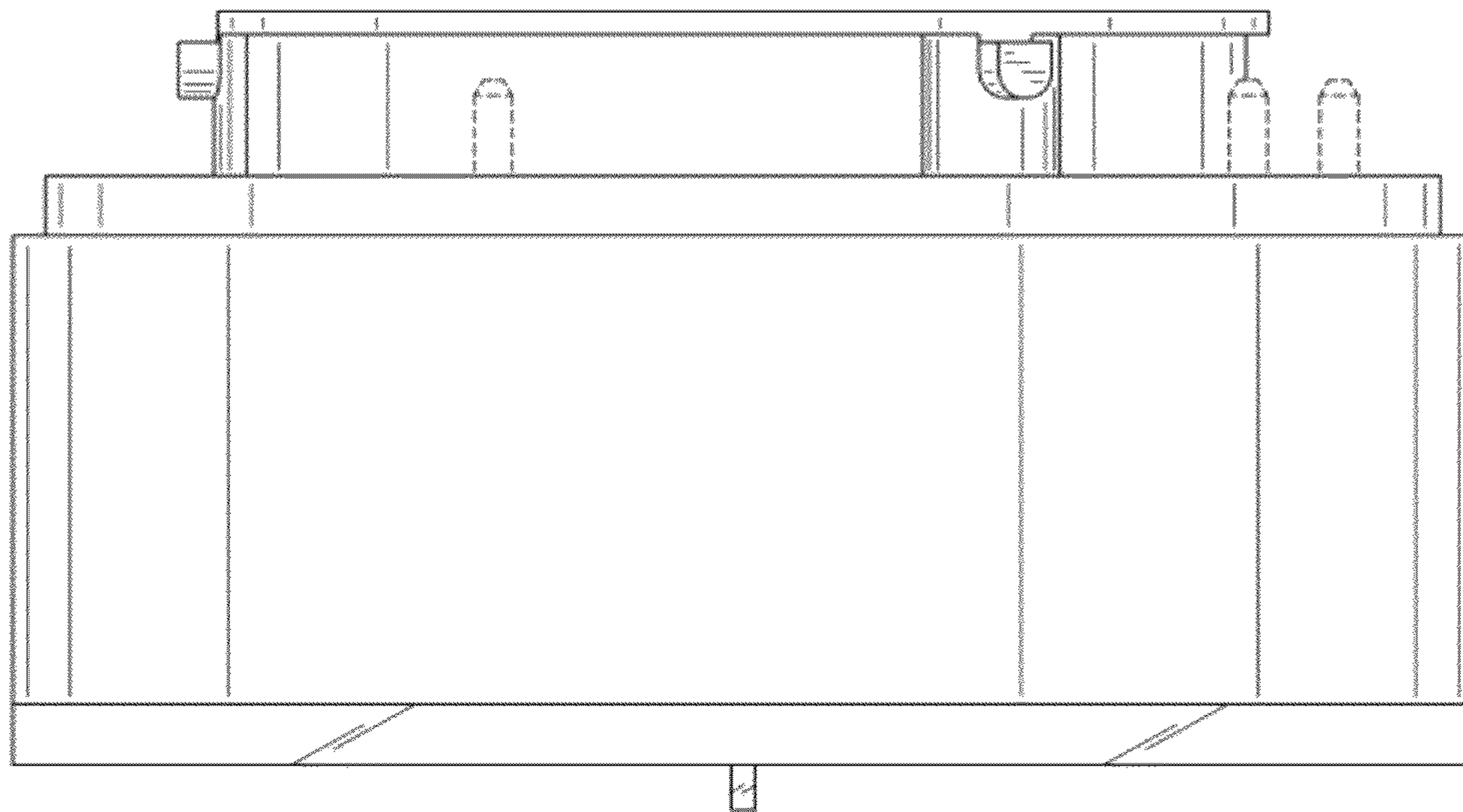


FIG. 23

→ 27



→ 27

FIG. 24

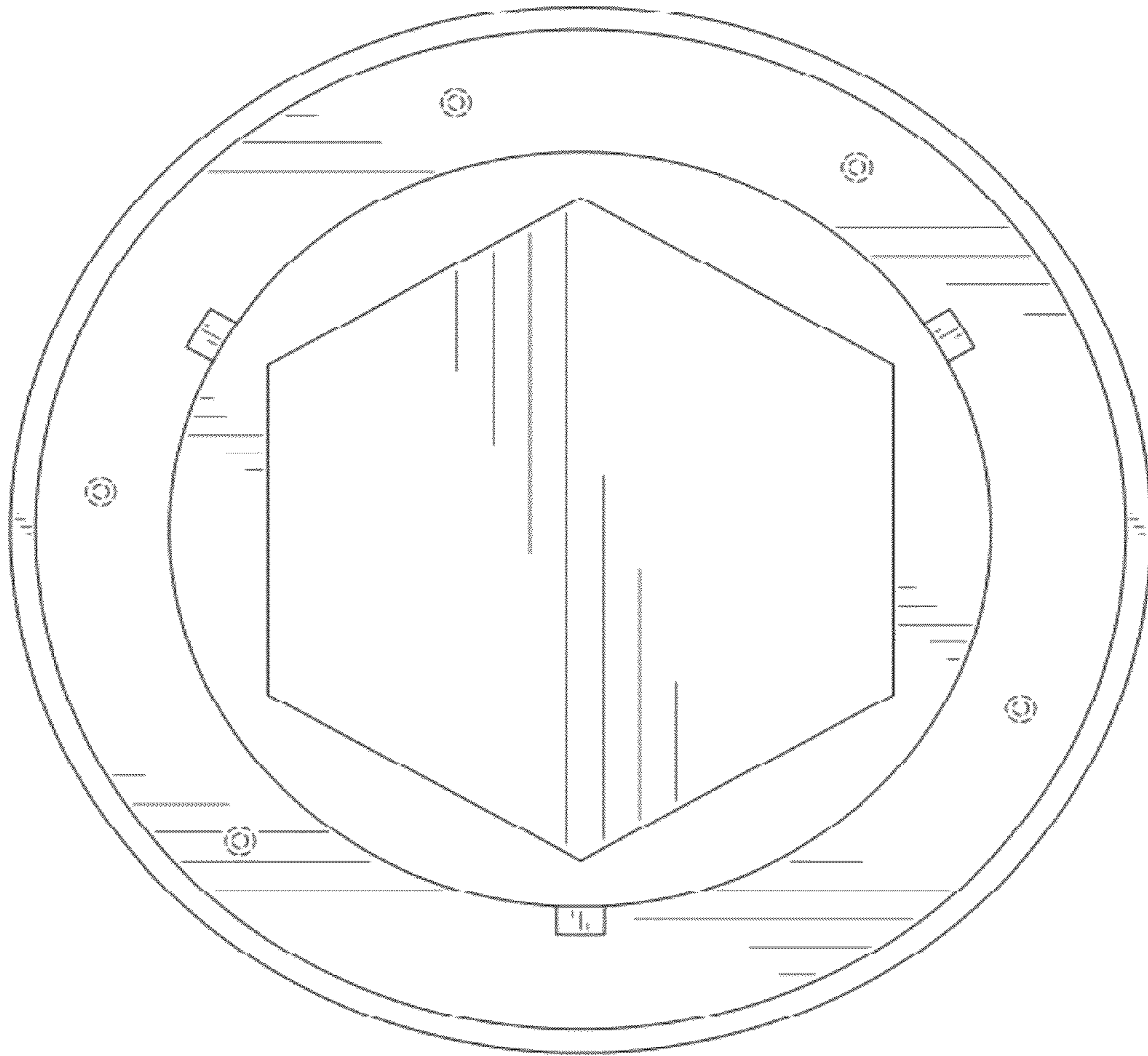


FIG. 25

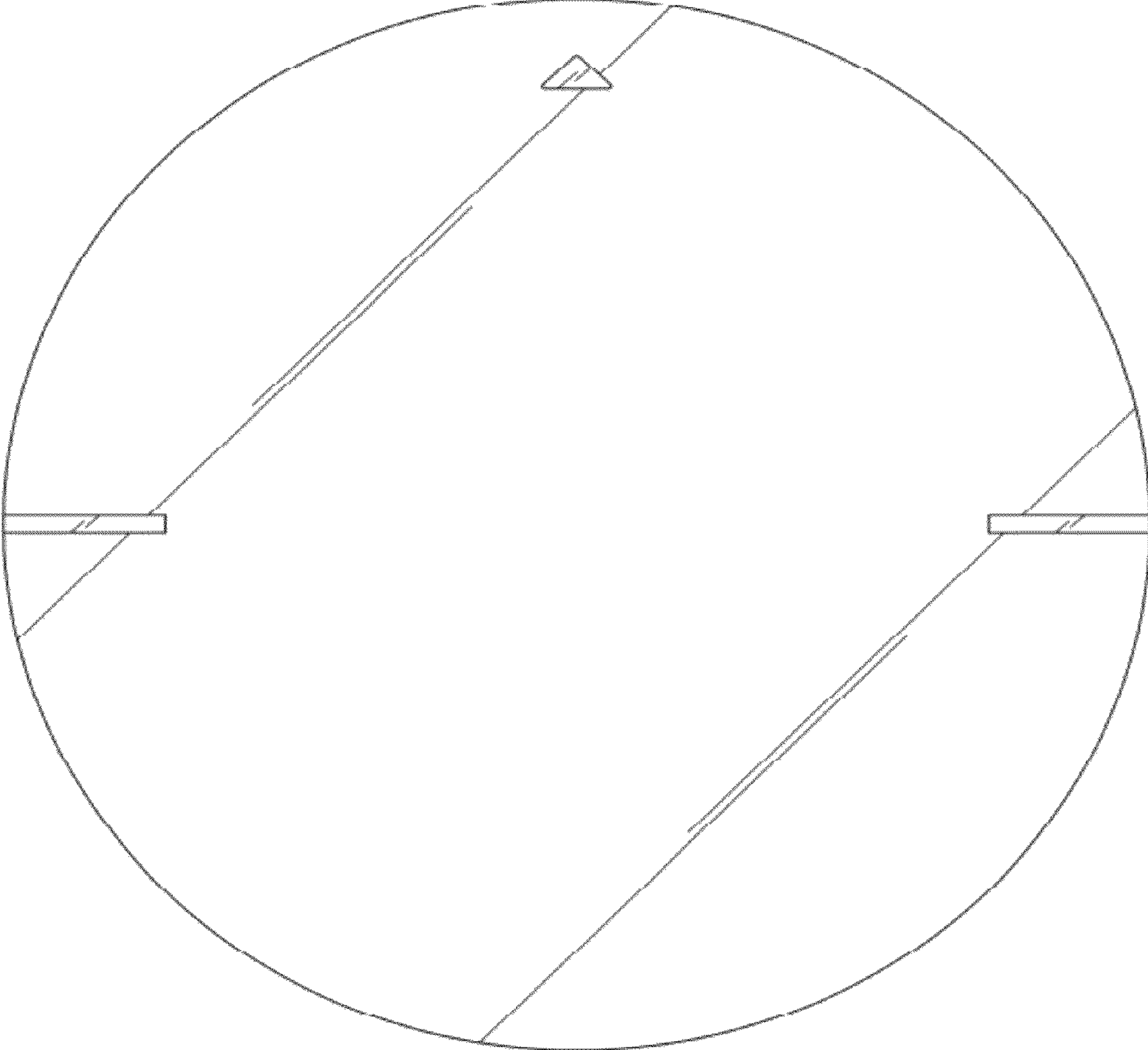


FIG. 26

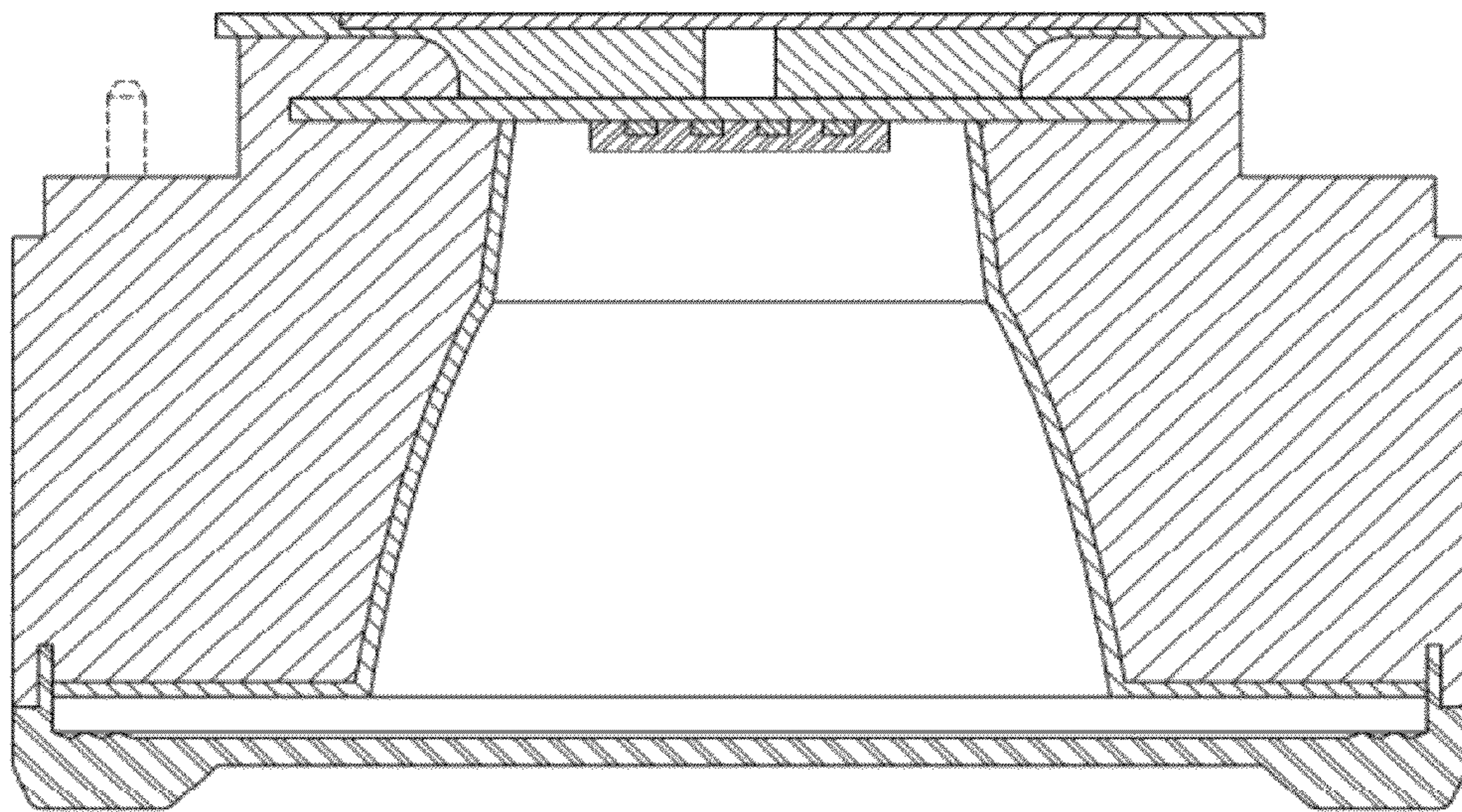


FIG. 27