



US00D662619S

(12) **United States Design Patent**
Sun

(10) **Patent No.:** **US D662,619 S**

(45) **Date of Patent:** **** Jun. 26, 2012**

(54) **SUBMERSIBLE LED LIGHT**

(76) Inventor: **Guohua Sun**, Jiangsu (CN)

(**) Term: **14 Years**

(21) Appl. No.: **29/366,631**

(22) Filed: **Jul. 28, 2010**

(51) **LOC (9) Cl.** **26-04**

(52) **U.S. Cl.** **D26/2**

(58) **Field of Classification Search** D26/1-4;
313/313, 315, 316, 317, 318, 493; 315/52,
315/53, 56, 57, 58

See application file for complete search history.

(56) **References Cited**

U.S. PATENT DOCUMENTS

D598,581 S * 8/2009 Reyhan D26/2
D620,152 S * 7/2010 Lai et al. D26/2

D625,438 S * 10/2010 Lai et al. D26/2
D648,868 S * 11/2011 Chou D26/2
D656,630 S * 3/2012 Tsang D26/2

* cited by examiner

Primary Examiner — Marcus Jackson

(74) *Attorney, Agent, or Firm* — Kile Goekjian Reed & McManus PLLC

(57) **CLAIM**

The ornamental design for a submersible LED light, substantially as shown and described.

DESCRIPTION

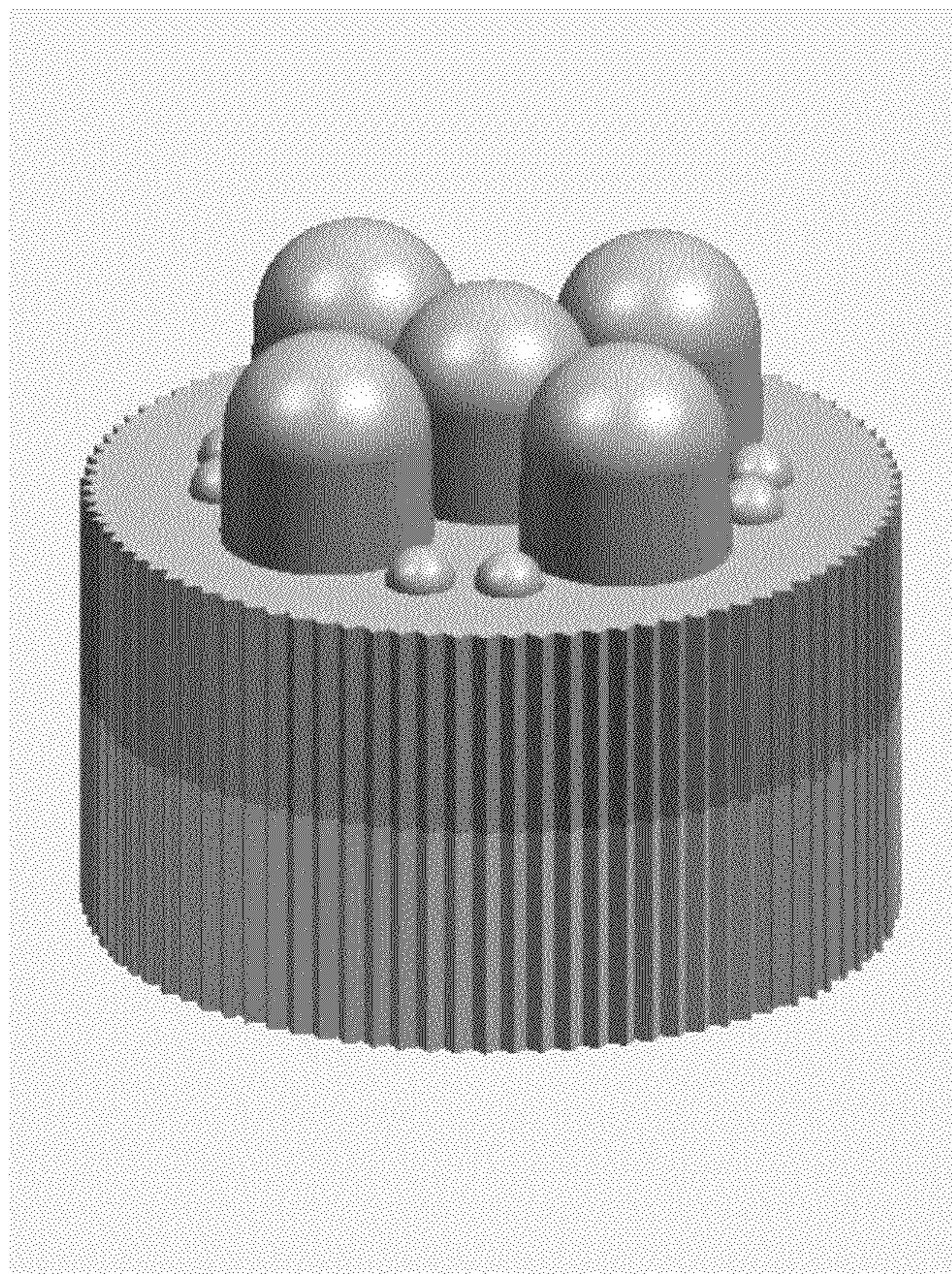
FIG. 1 is a top perspective view of a submersible LED light showing my new design;

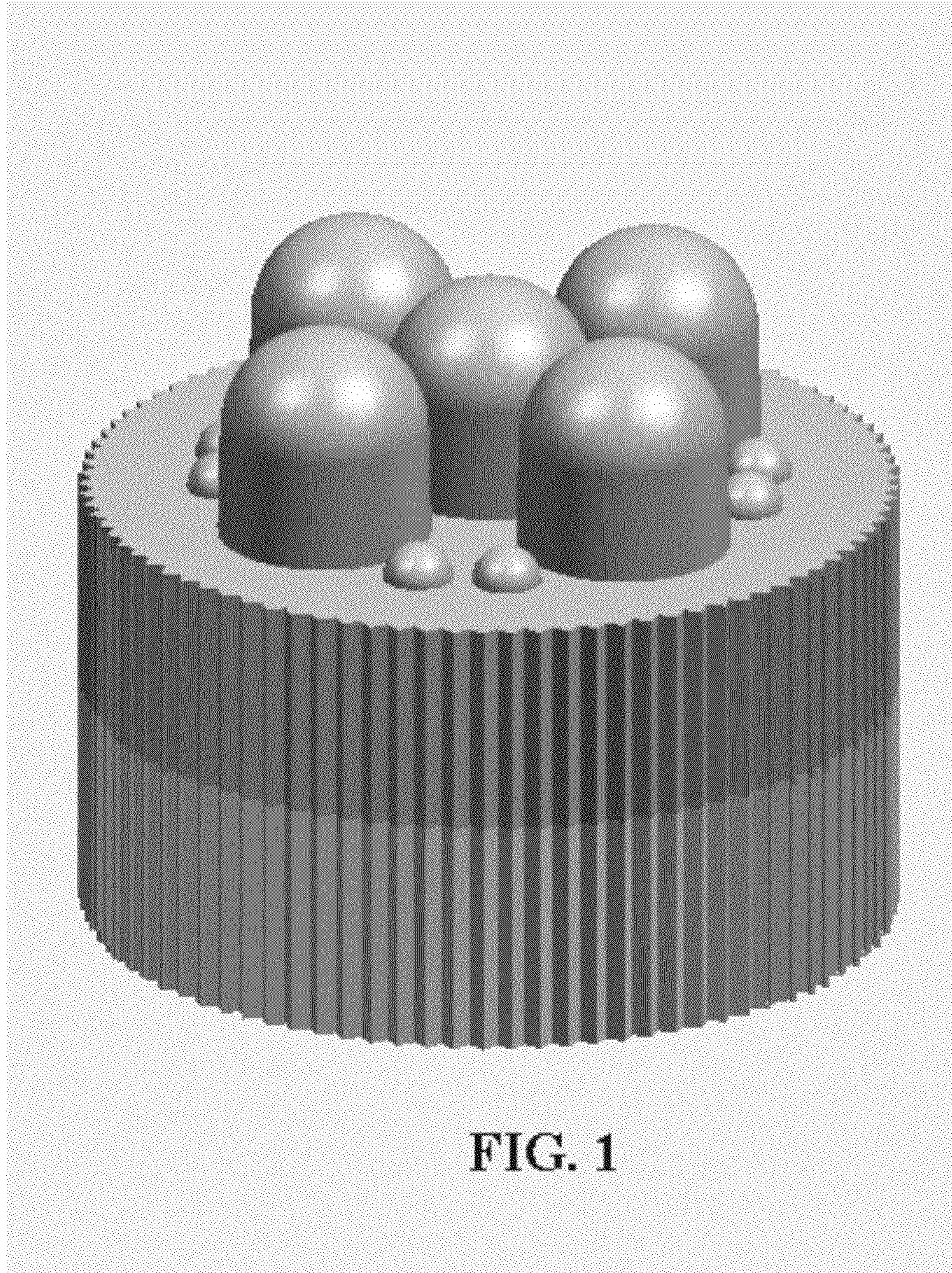
FIG. 2 is a side view of the submersible LED light depicted in FIG. 1;

FIG. 3 is a top view of the submersible LED light depicted in FIG. 1; and,

FIG. 4 is a bottom view of the submersible LED light shown in FIG. 1.

1 Claim, 4 Drawing Sheets





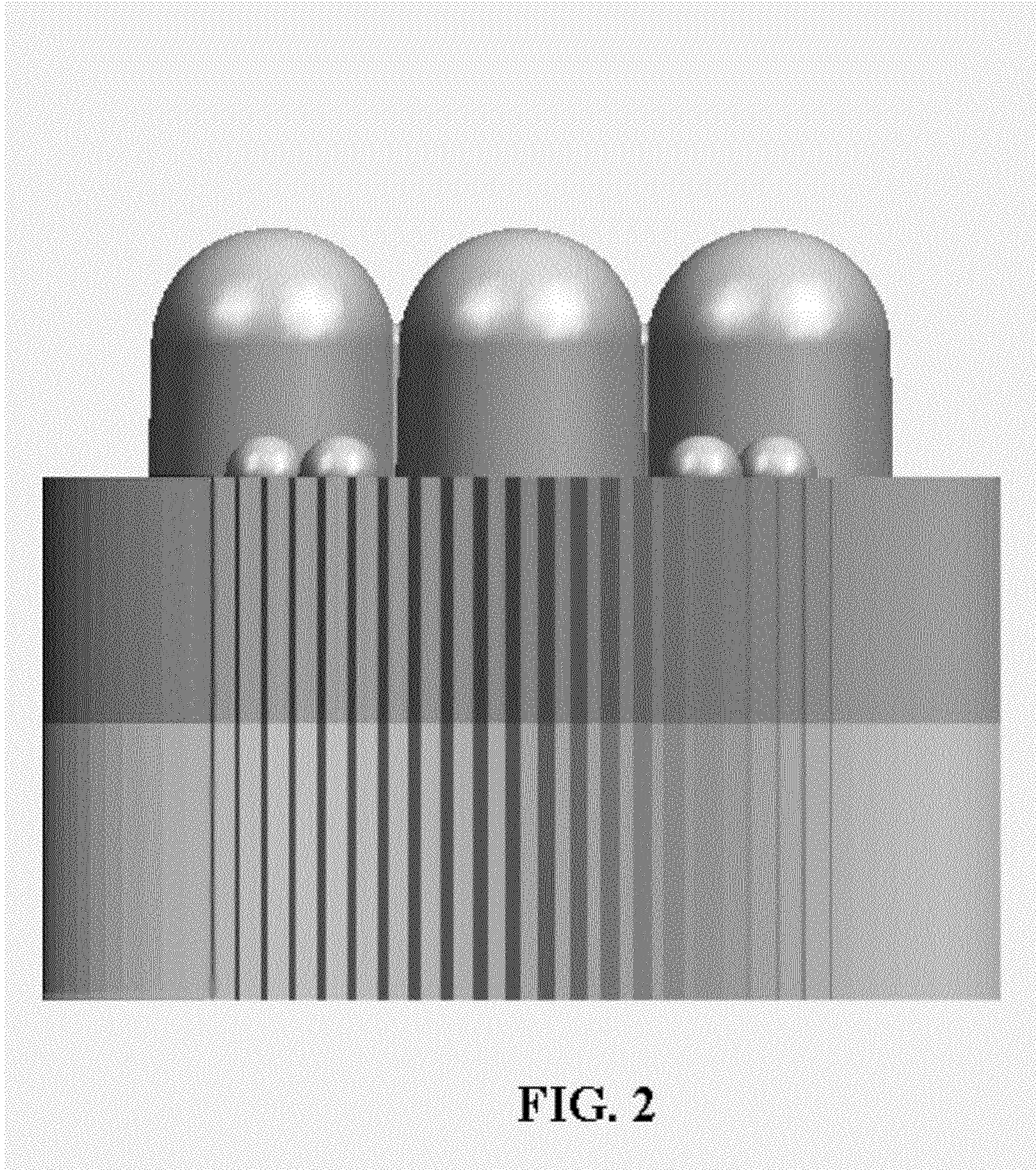


FIG. 2

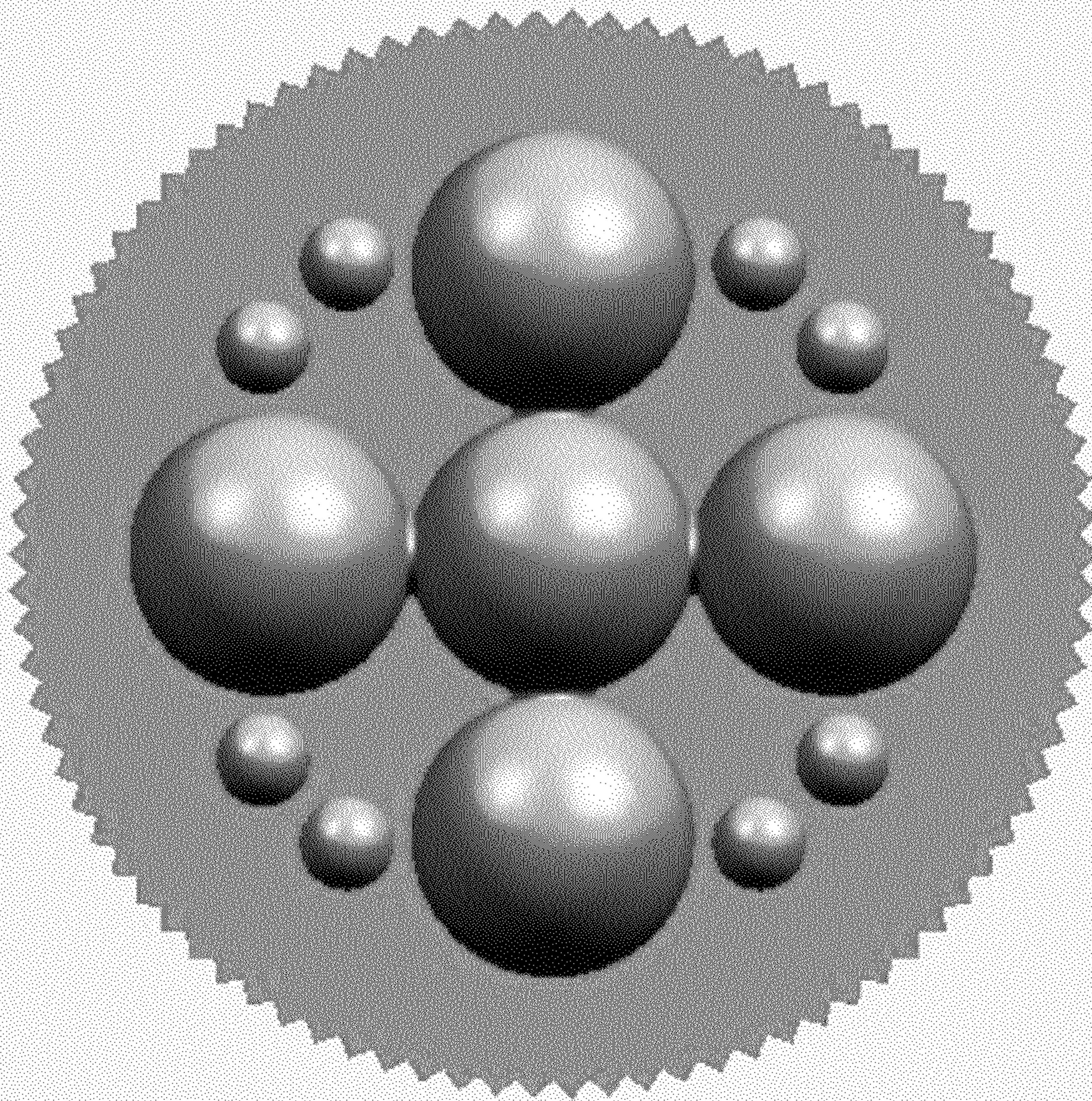


FIG. 3

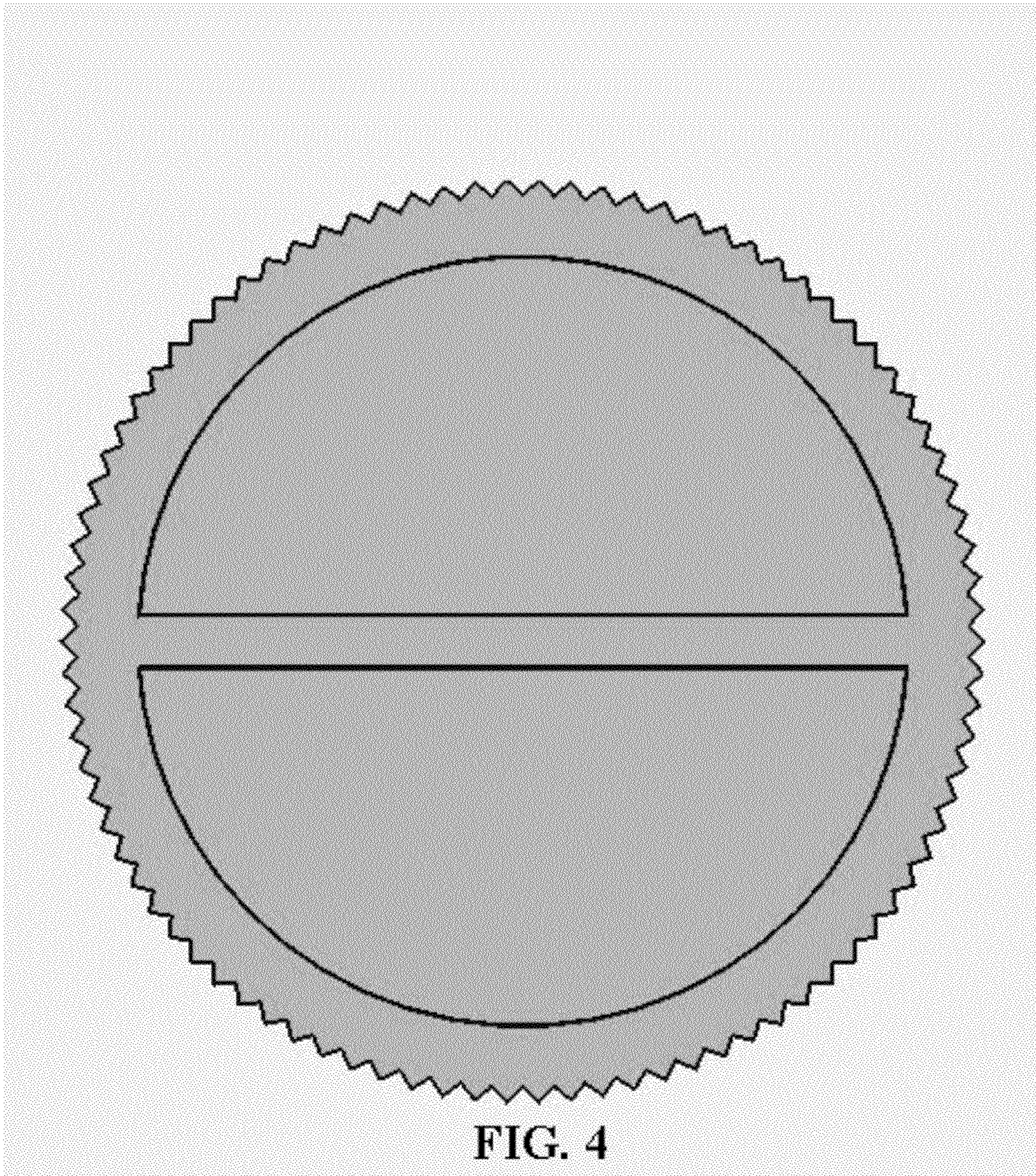


FIG. 4