

US00D662614S

(12) **United States Design Patent**
Storey

(10) **Patent No.:** **US D662,614 S**

(45) **Date of Patent:** **** Jun. 26, 2012**

(54) **DEVICE FOR REPAIRING A FENCE POST**

(76) Inventor: **David H. Storey**, Visalia, CA (US)

(**) Term: **14 Years**

(21) Appl. No.: **29/372,517**

(22) Filed: **Dec. 2, 2010**

(51) **LOC (9) Cl.** **25-01**

(52) **U.S. Cl.** **D25/134**

(58) **Field of Classification Search** D25/61,
D25/133-134; 52/155, 165, 170, 295, 698,
52/702

See application file for complete search history.

(56) **References Cited**

U.S. PATENT DOCUMENTS

1,038,147	A *	9/1912	Johnson	52/165
3,785,107	A	1/1974	Garretson		
3,809,346	A	5/1974	Jackson		
4,156,332	A *	5/1979	Thompson	52/165
4,296,584	A *	10/1981	Lempa, Jr.	D25/133
4,516,365	A *	5/1985	Chapman	52/170
4,543,757	A *	10/1985	Cosgrove	52/295
4,598,512	A *	7/1986	Chapman	52/165
4,951,904	A *	8/1990	Obenshain	52/165
5,636,482	A *	6/1997	Klager	52/165
5,791,635	A	8/1998	Hull et al.		
6,511,034	B2	1/2003	Nicholson et al.		
6,526,722	B1 *	3/2003	Pangburn	52/698
6,578,826	B2 *	6/2003	Pilcher	52/165
6,684,580	B1	2/2004	Hull		

8,061,089 B2 * 11/2011 Russell 52/165
D650,095 S * 12/2011 Smolinski D25/133
2004/0000115 A1 1/2004 Cox

* cited by examiner

Primary Examiner — Robert Delehanty

(74) *Attorney, Agent, or Firm* — Richard L. Miller

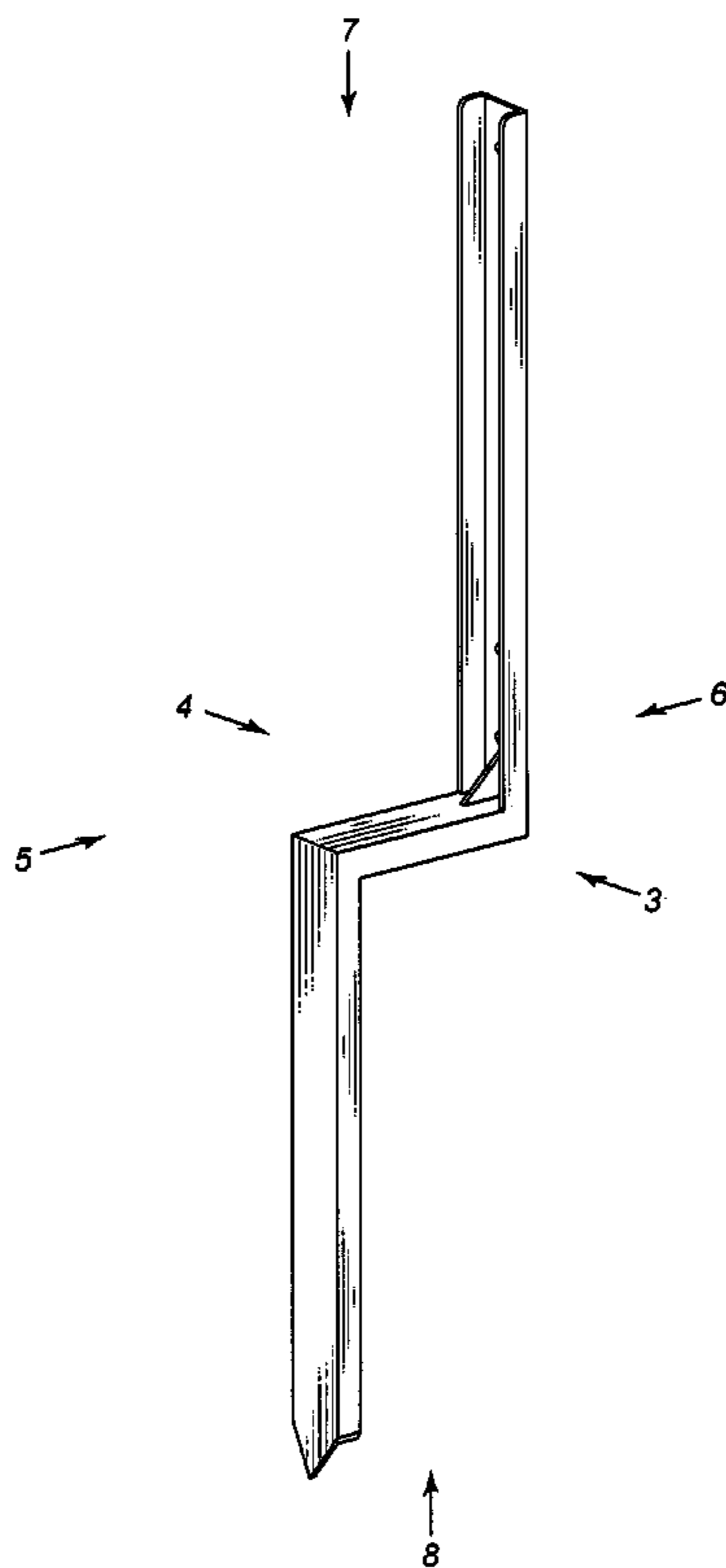
(57) **CLAIM**

The ornamental design for a device for repairing a fence post, as shown and described.

DESCRIPTION

FIG. 1 is a three quarter rear-left-top perspective view of a device for repairing a fence post showing my new design; FIG. 2 is a three quarter front-right-bottom perspective view of a device for repairing a fence post showing my new design; FIG. 3 is a left side elevational view thereof, taken in the direction of arrow 3 in FIGS. 1 and 2; FIG. 4 is a right side elevational view thereof, taken in the direction of arrow 4 in FIGS. 1 and 2; FIG. 5 is a rear elevational view thereof, taken in the direction of arrow 5 in FIGS. 1 and 2; FIG. 6 is a front elevational view thereof, taken in the direction of arrow 6 in FIGS. 1 and 2; FIG. 7 is a top plan view thereof, taken in the direction of arrow 7 in FIGS. 1 and 2; and, FIG. 8 is a bottom plan view thereof, taken in the direction of arrow 8 in FIGS. 1 and 2.

1 Claim, 4 Drawing Sheets



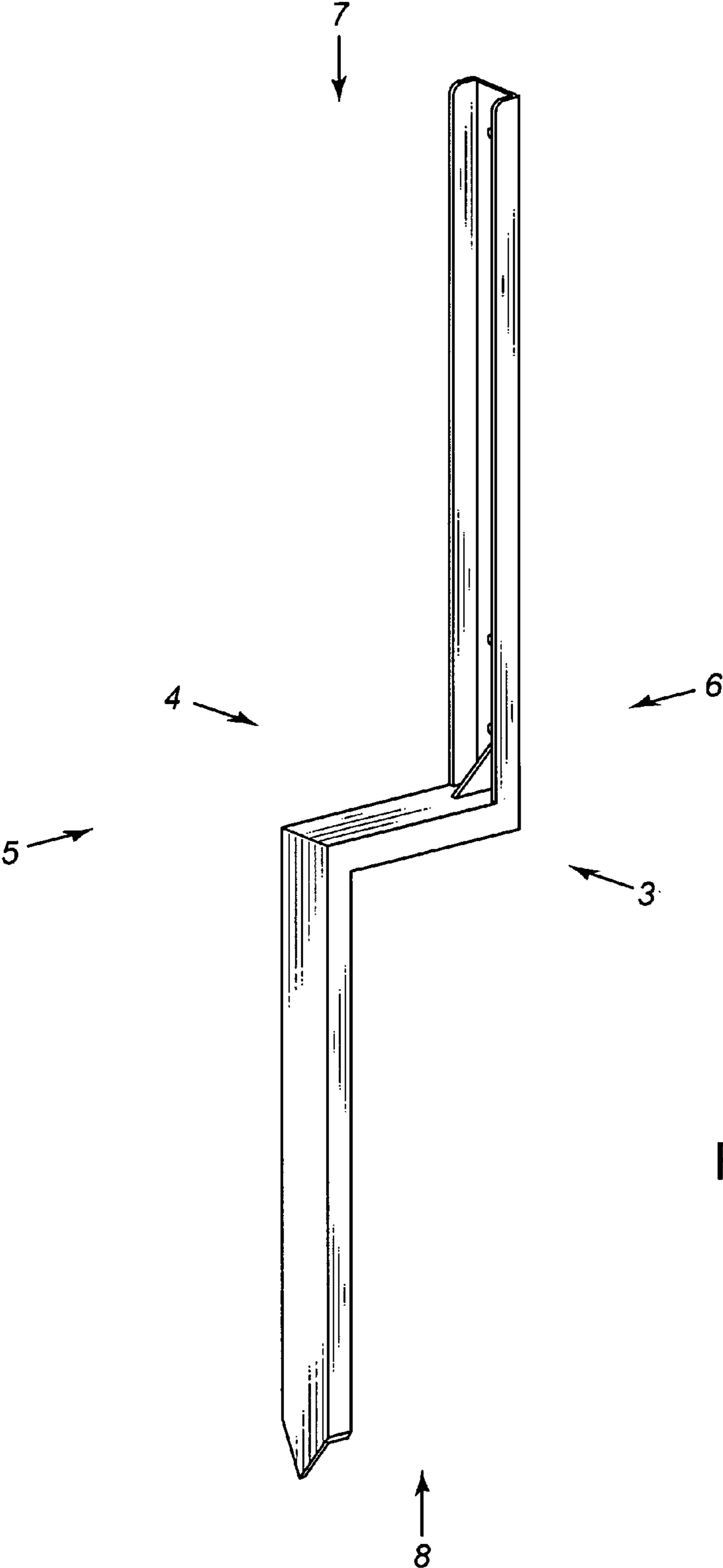


FIG. 1

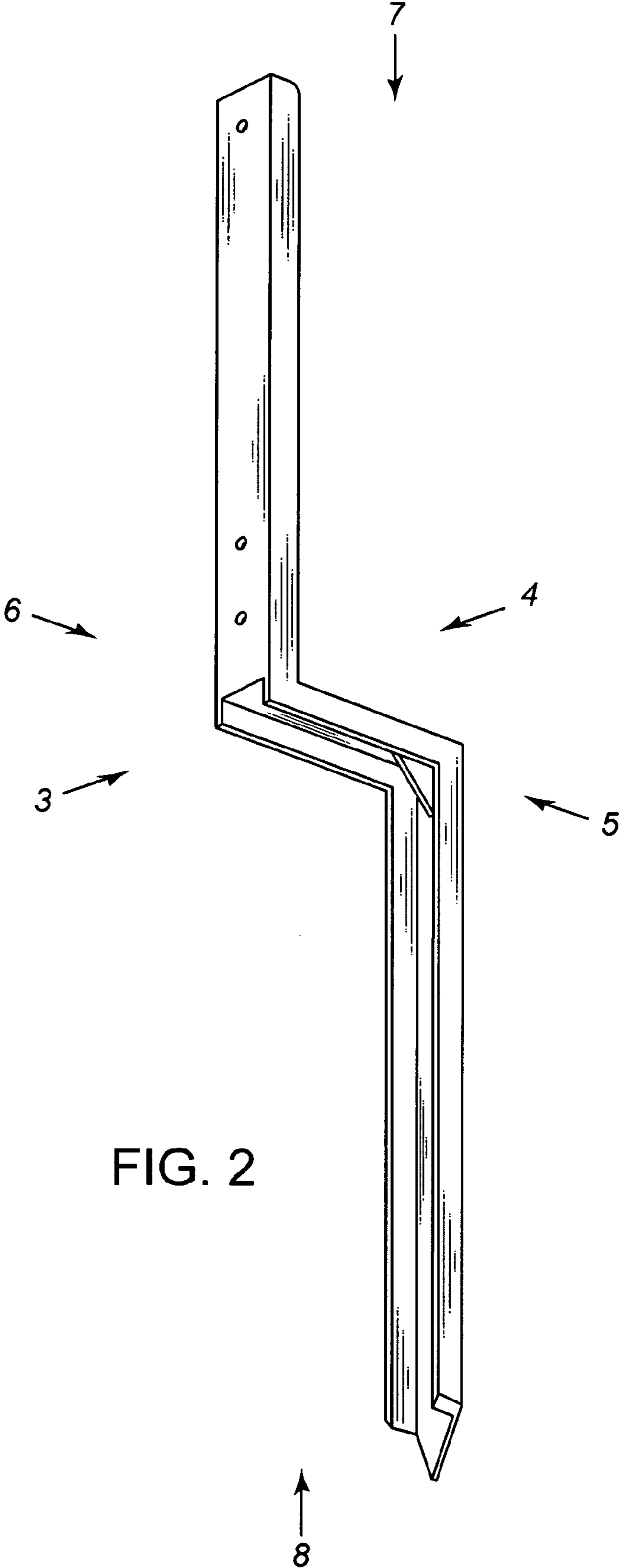


FIG. 2

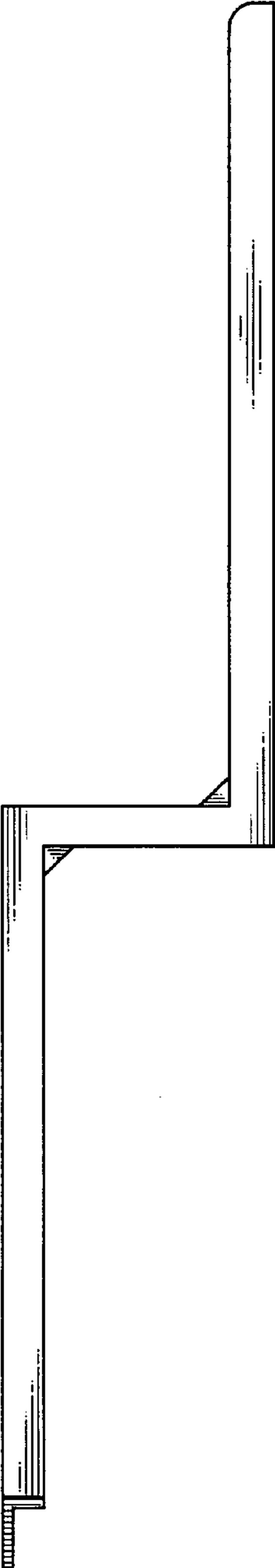


FIG. 3

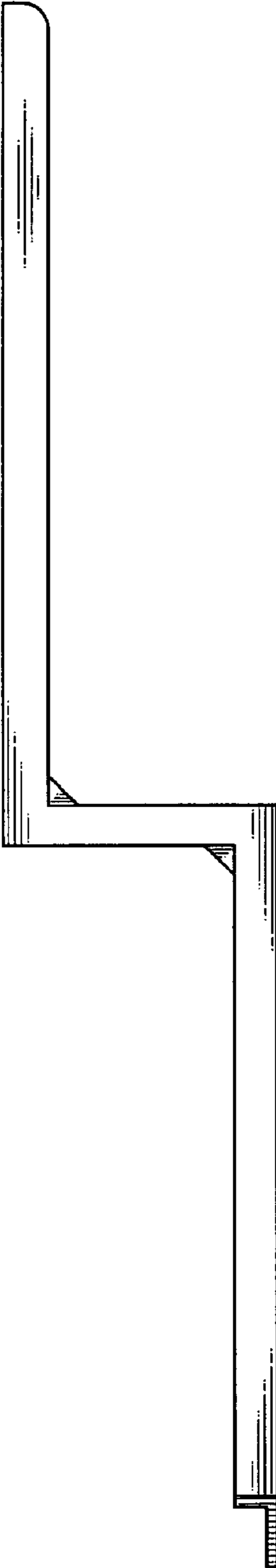


FIG. 4

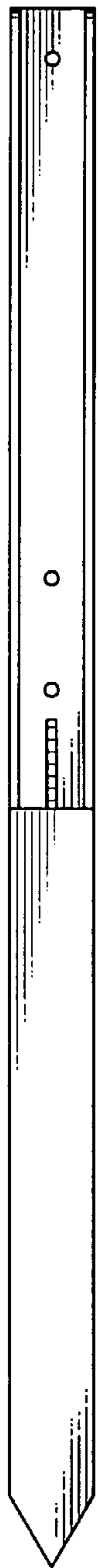


FIG. 5



FIG. 6

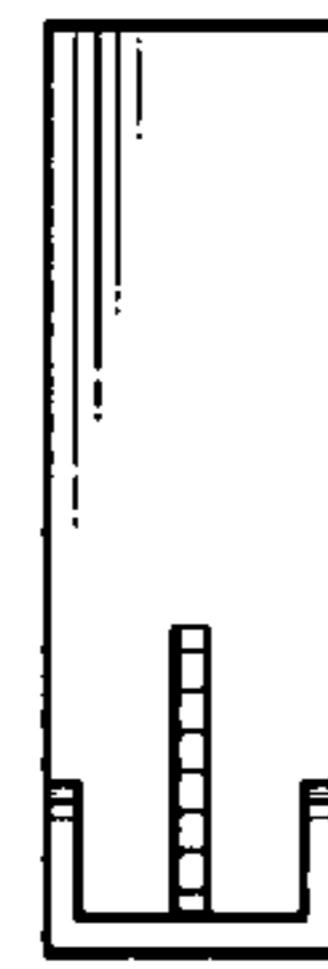


FIG. 7

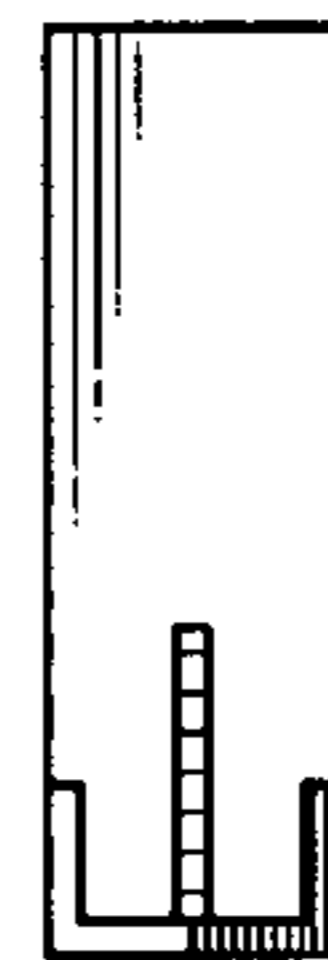


FIG. 8