



US00D662613S

(12) **United States Design Patent**
Williams

(10) **Patent No.:** **US D662,613 S**
(45) **Date of Patent:** **** Jun. 26, 2012**

(54) **VERTICAL T-STEM CONNECTOR**

(76) Inventor: **Joe D. Williams**, Tuscaloosa, AL (US)

(**) Term: **14 Years**

(21) Appl. No.: **29/391,902**

(22) Filed: **May 13, 2011**

(51) **LOC (9) Cl.** **25-02**

(52) **U.S. Cl.** **D25/126**

(58) **Field of Classification Search** D25/60,
D25/119-126, 47-48, 199; 52/392, 384,
52/458, 204.53, 242, 255, 290, 716.1, 717.01,
52/84, 608, 259, 848, 592.6, DIG. 6; D8/349;
248/49, 62, 74.1-74.4, 737.2, 215, 227.1,
248/300-301, 316.7, 51, 489; 119/87, 529,
119/530; 14/6, 73; D26/138

See application file for complete search history.

(56) **References Cited**

U.S. PATENT DOCUMENTS

| | | | | | |
|-----------|-----|--------|----------------|-------|---------|
| 4,205,500 | A * | 6/1980 | Hensley et al. | | D25/113 |
| 4,314,431 | A * | 2/1982 | Rabassa | | D25/113 |
| 4,320,612 | A * | 3/1982 | Jeffries, Jr. | | D25/113 |
| 4,321,779 | A * | 3/1982 | Kratchmer | | D25/113 |

| | | | |
|-----------|---|--------|------------------|
| 4,562,680 | A | 1/1986 | Sukolics |
| 4,650,702 | A | 3/1987 | Whitmyer |
| 5,490,358 | A | 2/1996 | Grunewald et al. |
| D636,095 | S | 4/2011 | Teffenhart, Jr. |

* cited by examiner

Primary Examiner — Robert Delehanty

(74) *Attorney, Agent, or Firm* — Gerald M. Walsh; Kenneth M. Bush; Bush Intellectual Property Law

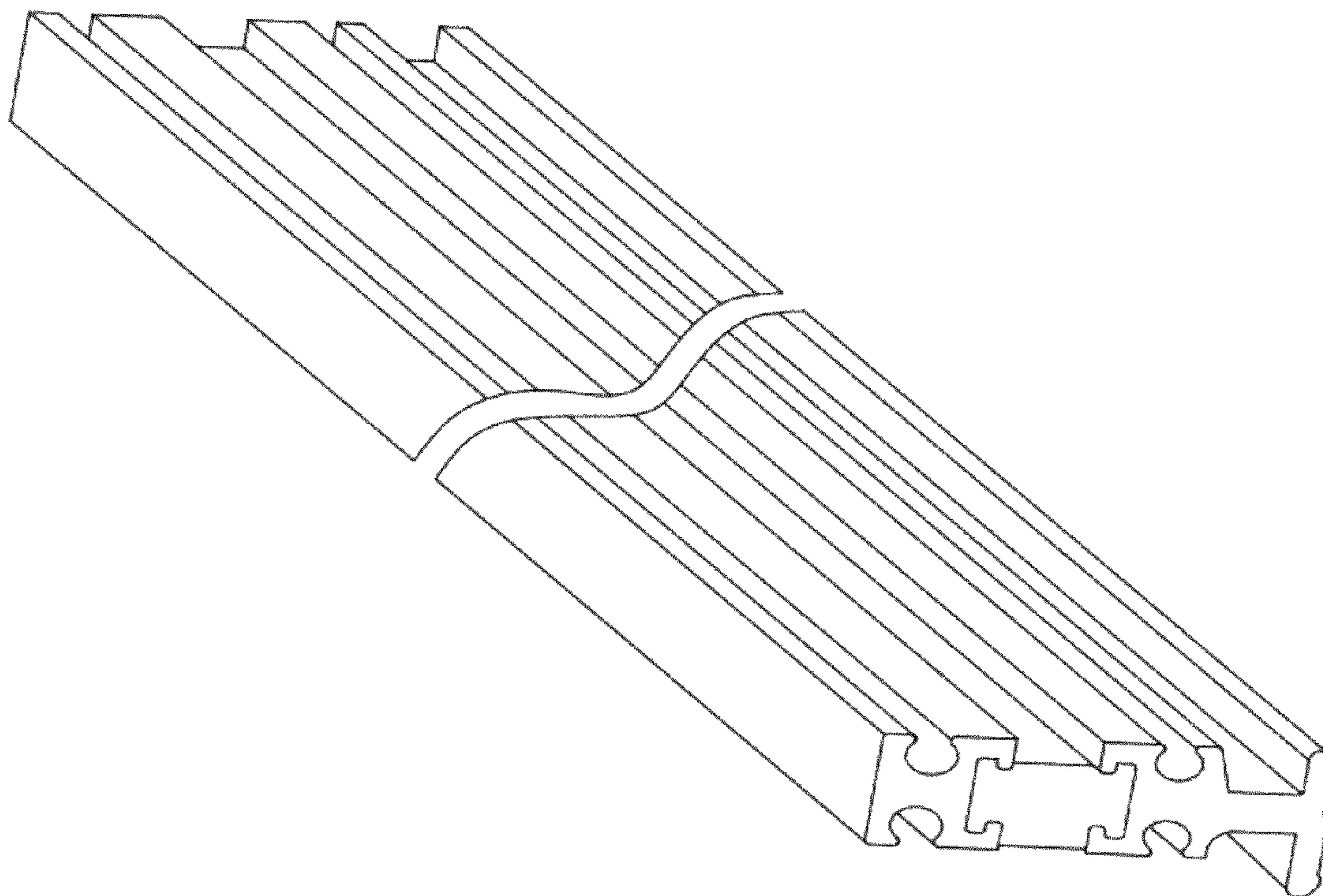
(57) **CLAIM**

I claim the ornamental design for a vertical T-stem connector, as shown and described.

DESCRIPTION

FIG. 1 is a top, front, left perspective view of a vertical T-stem connector showing my new design; FIG. 2 is a front elevation view thereof; FIG. 3 is a rear elevation view thereof; FIG. 4 is a top plan view thereof; FIG. 5 is a bottom plan view thereof; FIG. 6 is a right side elevation view thereof; and, FIG. 7 is a left side elevation view thereof. The connector has been broken with wavy lines to indicate indefinite length.

1 Claim, 4 Drawing Sheets



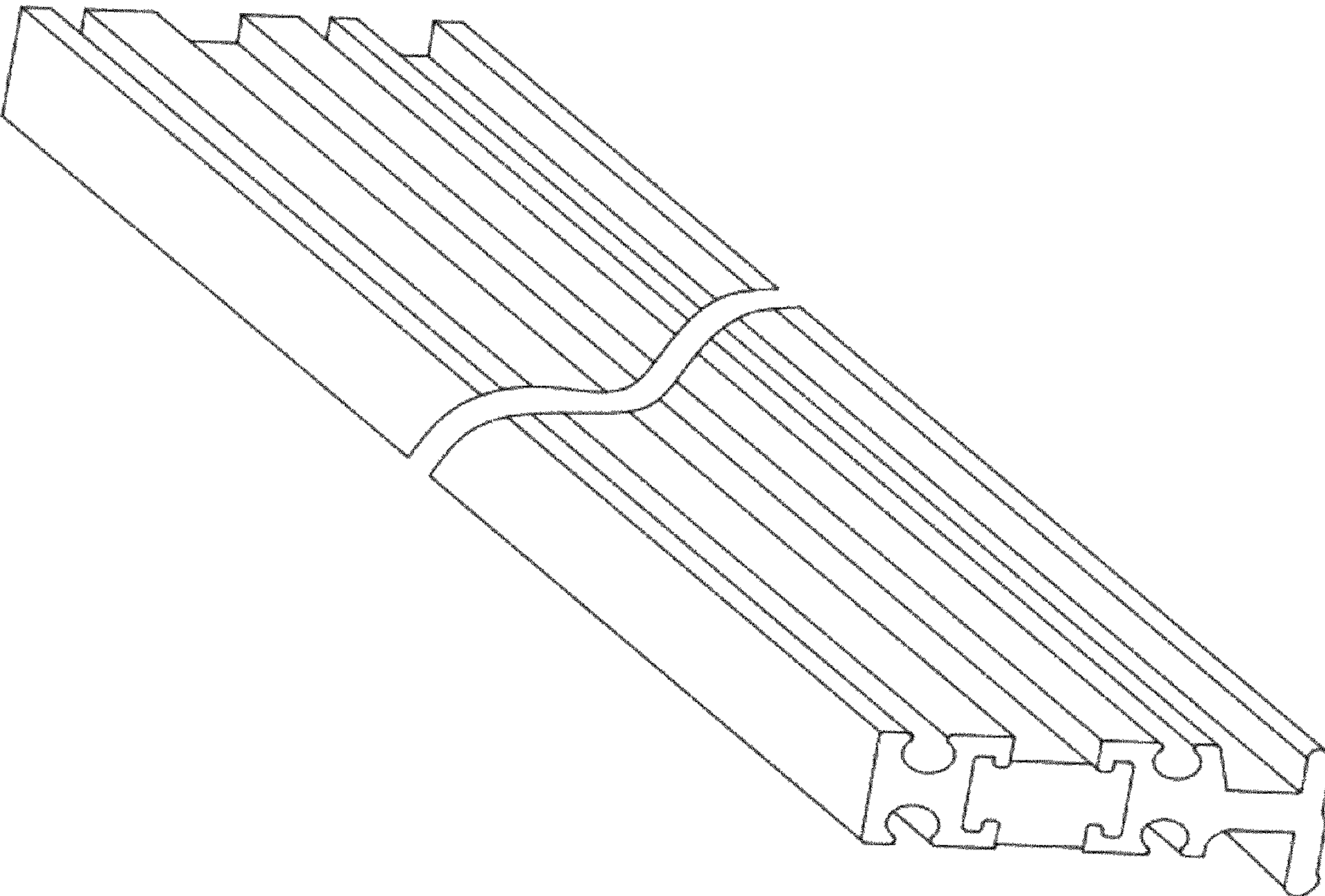


FIG. 1

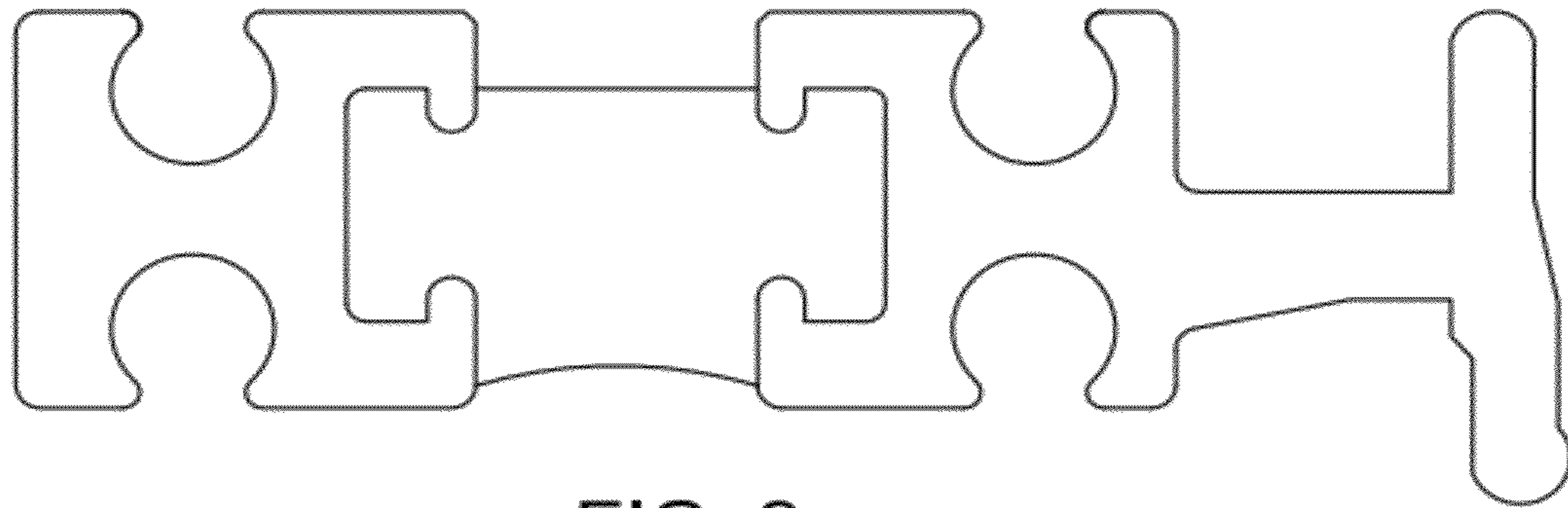


FIG. 2

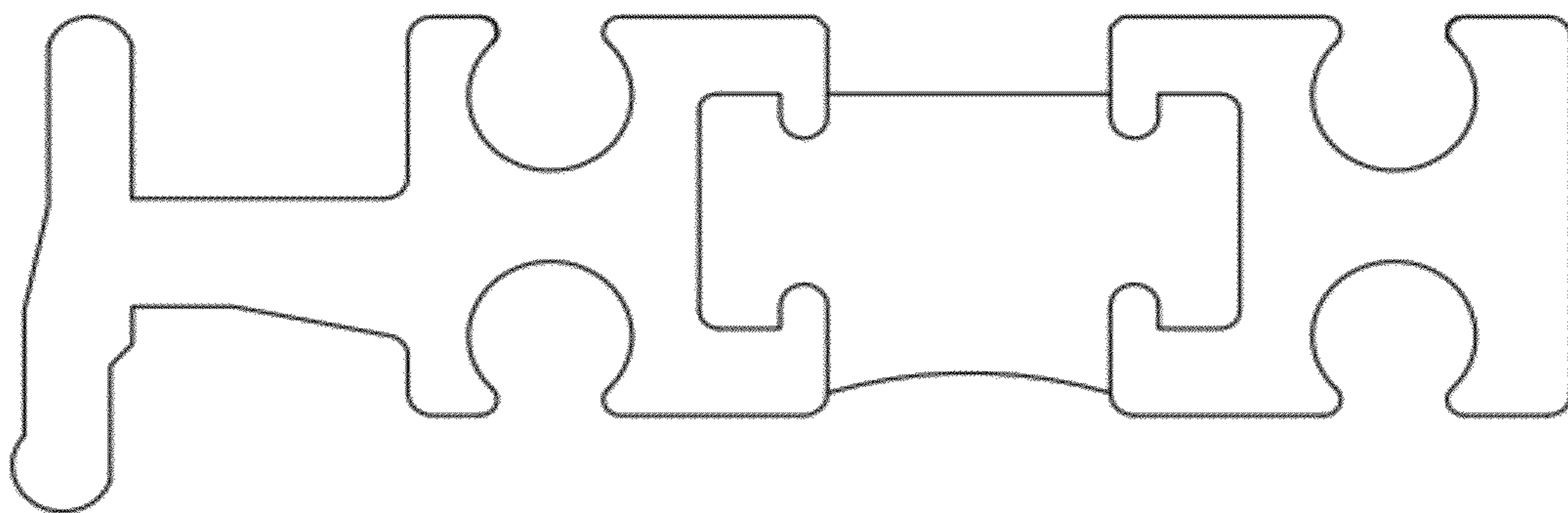


FIG. 3

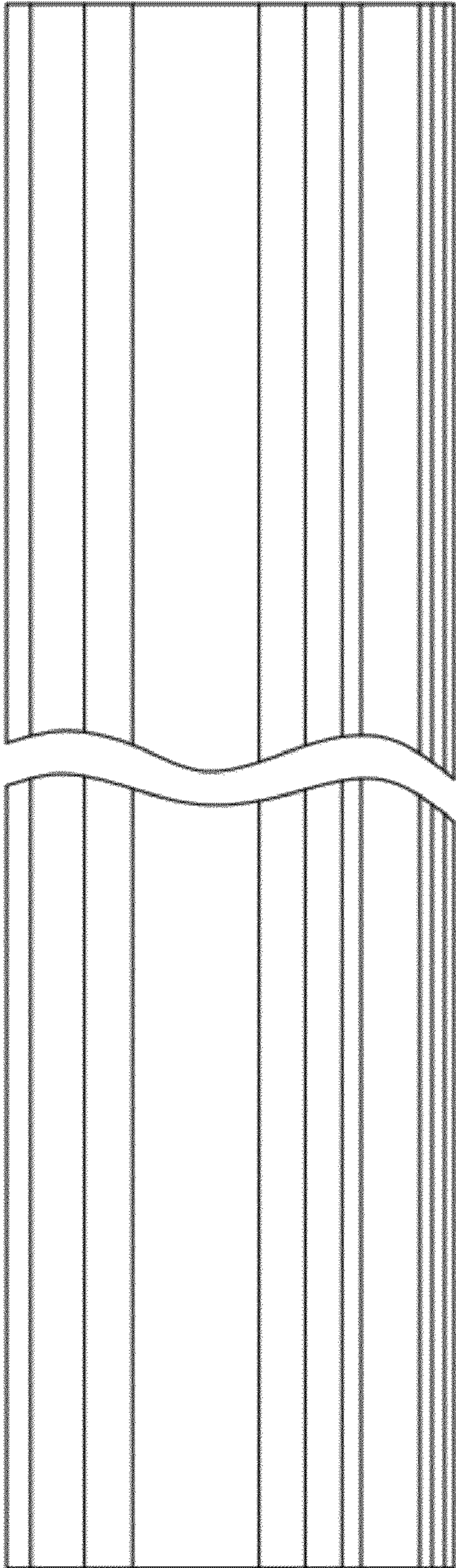


FIG. 4

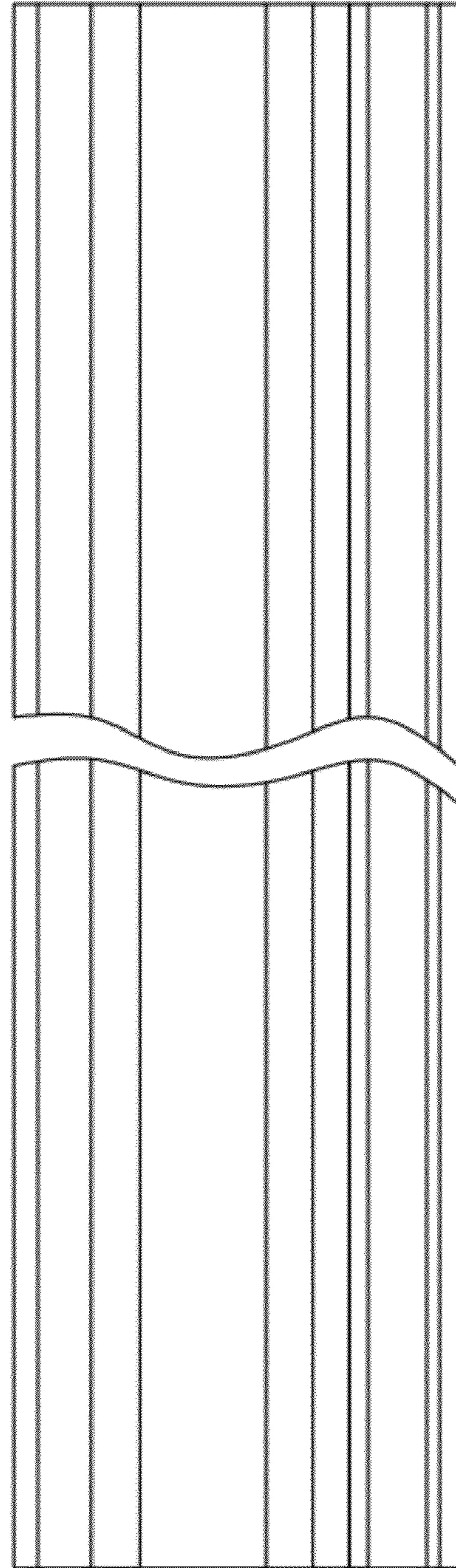


FIG. 5

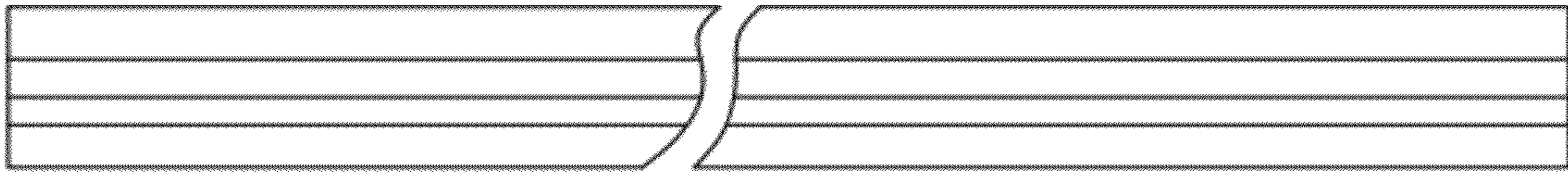


FIG. 6

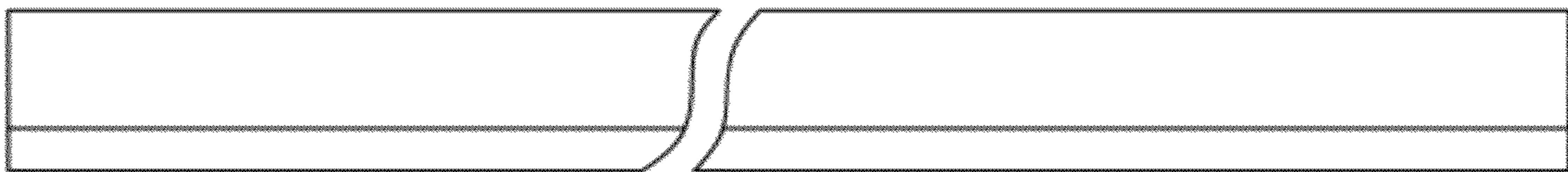


FIG. 7