



US00D662612S

(12) **United States Design Patent**
Dyson

(10) **Patent No.:** **US D662,612 S**
(45) **Date of Patent:** **** Jun. 26, 2012**

(54) **MASONRY RETAINING WALL BLOCK**

(75) Inventor: **John Kenneth Dyson**, Victoria (AU)

(73) Assignee: **Adbri Mansory Pty Ltd**, Adelaide (AU)

(**) Term: **14 Years**

(21) Appl. No.: **29/394,642**

(22) Filed: **Jun. 20, 2011**

(30) **Foreign Application Priority Data**

Dec. 20, 2010 (AU) 201015574

(51) **LOC (9) Cl.** **25-01**

(52) **U.S. Cl.** **D25/113**

(58) **Field of Classification Search** D25/102-118,
D25/136, 138, 140, 151, 152, 153, 156-162,
D25/164; D21/484-491, 499-504; 405/16,
405/284, 286; 52/503-505, 574, 575, 596-612;
404/27-42

See application file for complete search history.

(56) **References Cited**

U.S. PATENT DOCUMENTS

2,684,589 A * 7/1954 Perreton D25/116
D192,734 S * 5/1962 Cameron D25/118

D333,354 S * 2/1993 Adams D25/118
D333,355 S * 2/1993 Adams D25/118
5,465,542 A * 11/1995 Terry D25/118
D502,554 S * 3/2005 Luaces D25/118
D527,113 S * 8/2006 Rainey D25/118
D532,119 S * 11/2006 Hammer D25/118
D575,413 S * 8/2008 Hammer et al. D25/113
D604,865 S * 11/2009 Rainey D25/114
7,934,351 B2 * 5/2011 Clarno 52/295
2010/0018150 A1 * 1/2010 Azar 52/606

* cited by examiner

Primary Examiner — Anhdao Doan

(74) *Attorney, Agent, or Firm* — Defillo & Associates, Inc.;
Evelyn A. Defillo

(57) **CLAIM**

I claim the ornamental design for a masonry retaining wall block, as shown and described.

DESCRIPTION

FIG. 1 is a perspective view of a retaining wall block showing my new design;

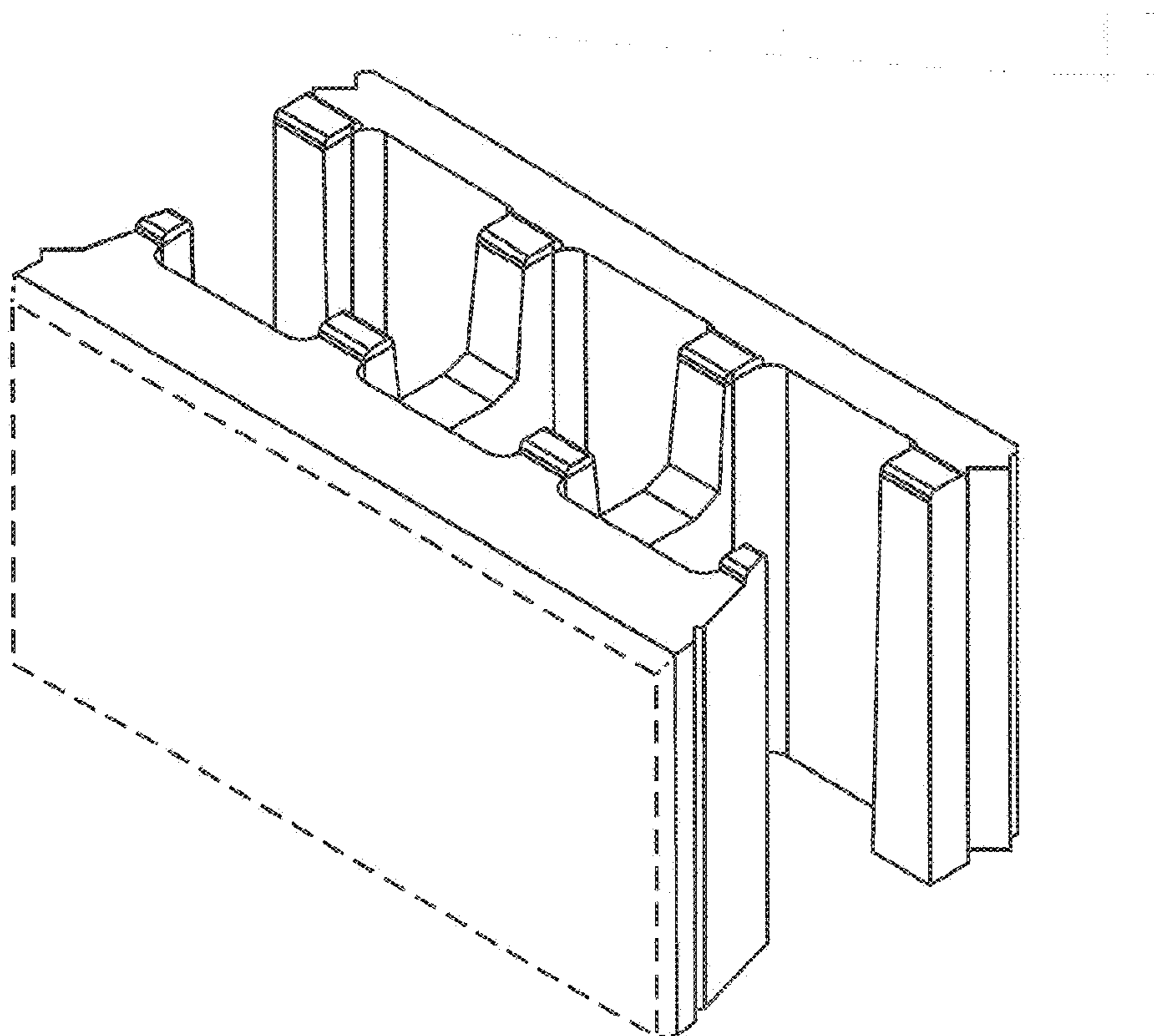
FIG. 2 is a top view of the retaining wall block of FIG. 1;

FIG. 3 is a side view of the retaining wall block of FIG. 1; and,

FIG. 4 is an underside view of the retaining wall block of FIG. 1.

The broken lines in the drawings represent unclaimed portions of the retaining wall block and form no part thereof.

1 Claim, 2 Drawing Sheets



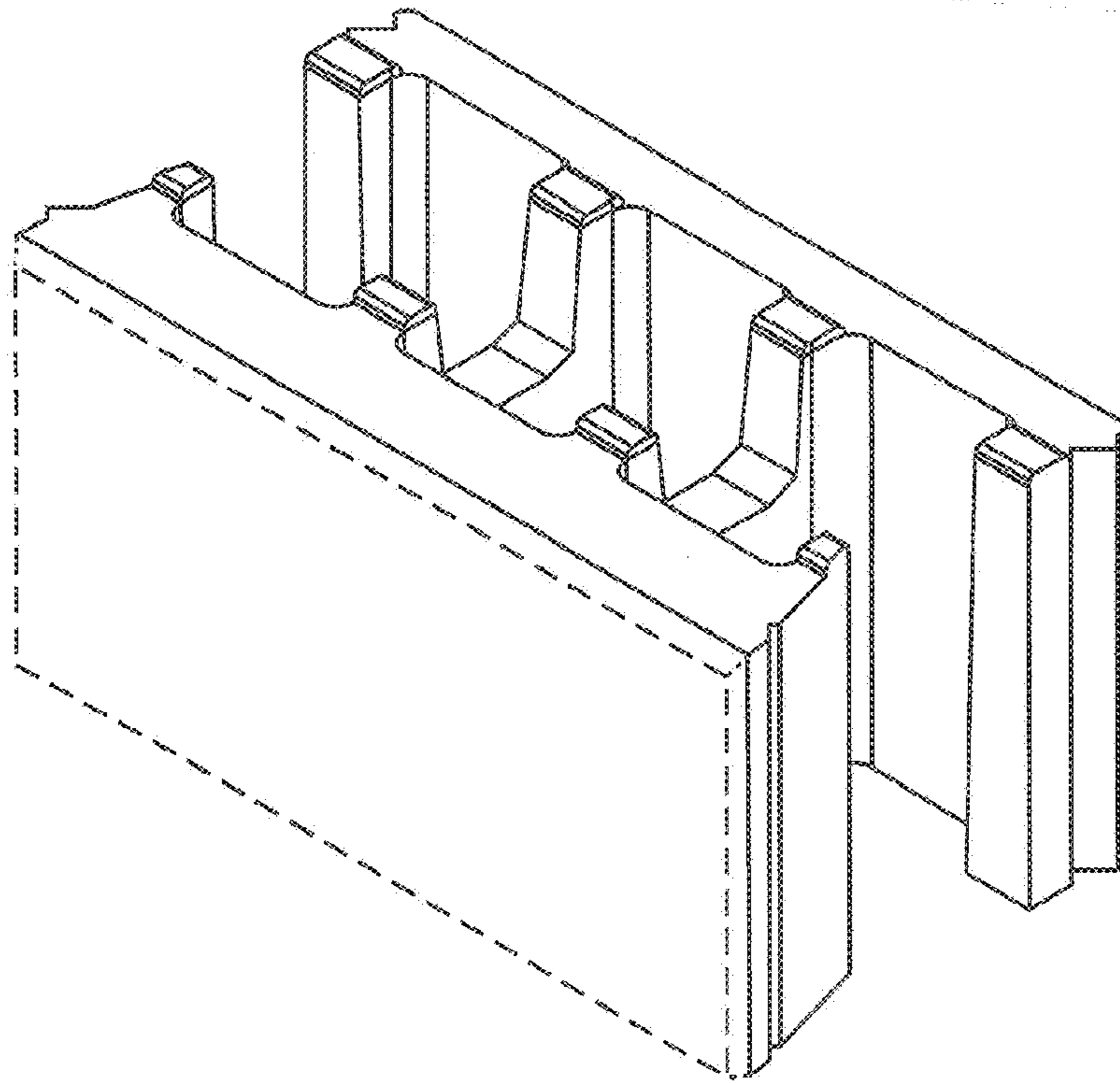


Figure 1

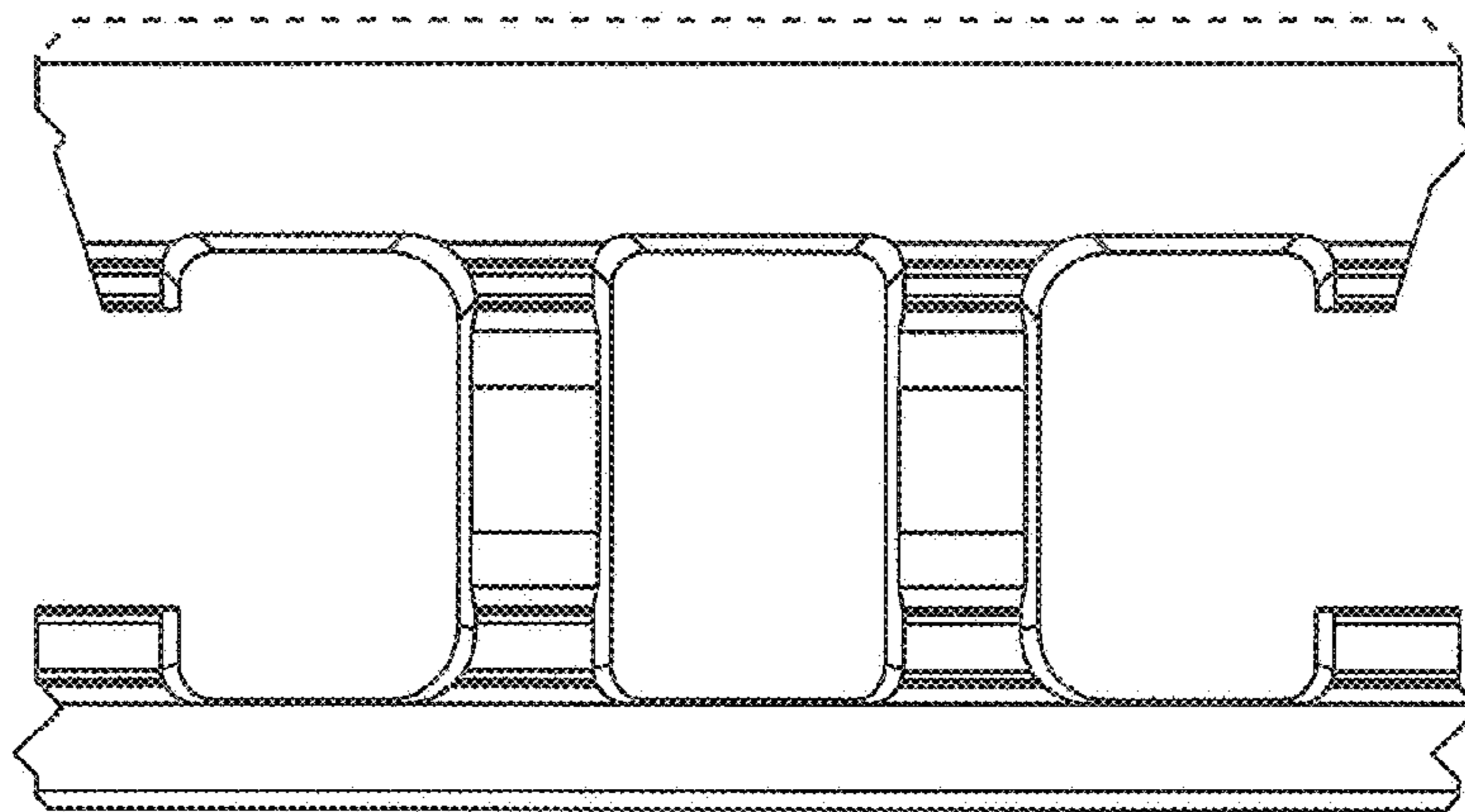


Figure 2

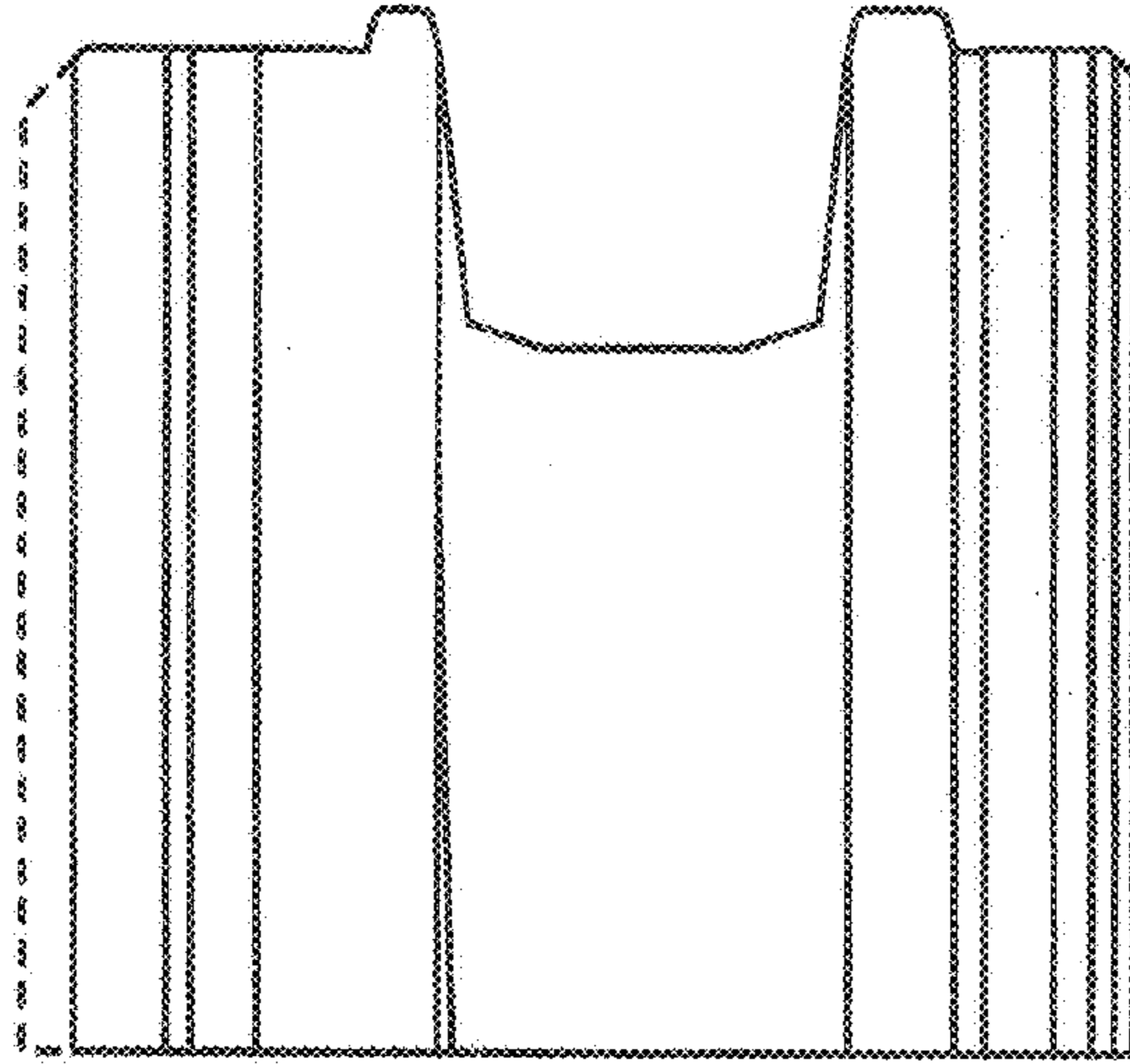


Figure 3

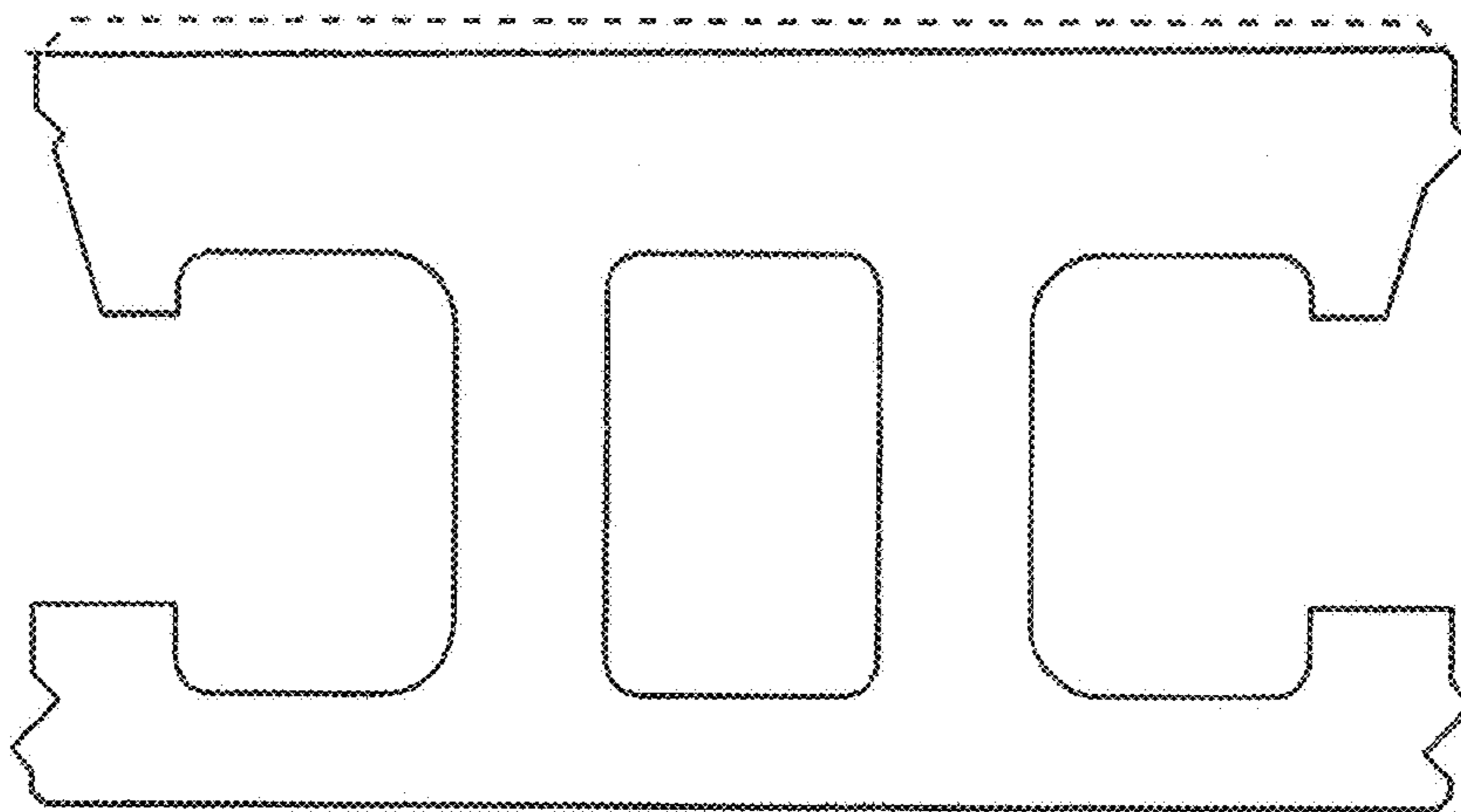


Figure 4