

US00D662607S

(12) **United States Design Patent**  
**Lawson, Jr.**

(10) **Patent No.:** **US D662,607 S**  
(45) **Date of Patent:** **\*\* Jun. 26, 2012**

(54) **LADDER LEVELER**

(76) Inventor: **Alfred A. Lawson, Jr.**, North Vernon, IN  
(US)

(\*\*) Term: **14 Years**

(21) Appl. No.: **29/406,699**

(22) Filed: **Nov. 17, 2011**

(51) **LOC (9) Cl.** ..... **25-04**

(52) **U.S. Cl.** ..... **D25/68**

(58) **Field of Classification Search** ..... D25/68;  
182/108, 109, 204

See application file for complete search history.

(56) **References Cited**

**U.S. PATENT DOCUMENTS**

5,174,412	A	12/1992	Vega	
5,325,936	A	7/1994	Baker	
5,542,497	A *	8/1996	Macyszyn	182/201
5,609,222	A	3/1997	Horbacewicz et al.	
5,845,744	A *	12/1998	Beck et al.	182/204

6,435,306	B2	8/2002	Stoneburg	
D468,448	S *	1/2003	Blehm	D25/68
6,595,326	B1 *	7/2003	Dean	182/204
D507,836	S *	7/2005	Campbell	D25/68

\* cited by examiner

*Primary Examiner* — Doris Clark

(74) *Attorney, Agent, or Firm* — RG Patent Consulting LLC

(57) **CLAIM**

I claim the ornamental design for a ladder leveler, as shown and described.

**DESCRIPTION**

FIG. 1 is a front, top and side perspective view of the ladder leveler embodying the design of the present invention.

FIG. 2 is a side elevational view thereof.

FIG. 3 is a side elevational view thereof.

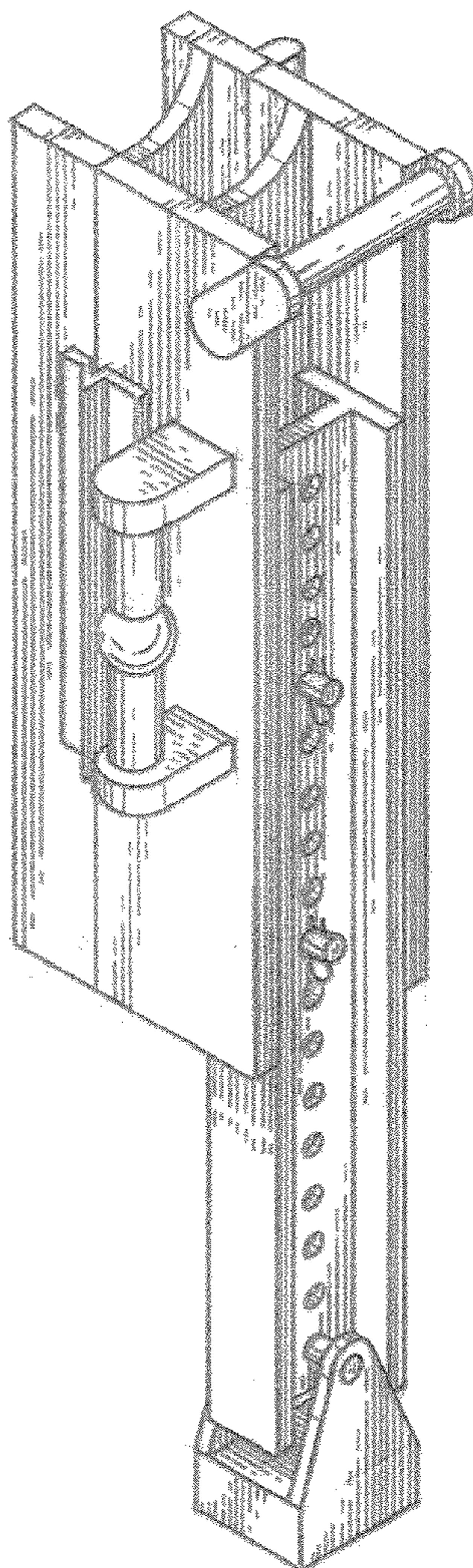
FIG. 4 is a front elevational view thereof.

FIG. 5 is a rear elevational thereof.

FIG. 6 is a top plan view thereof; and,

FIG. 7 is a bottom plan view thereof.

**1 Claim, 4 Drawing Sheets**



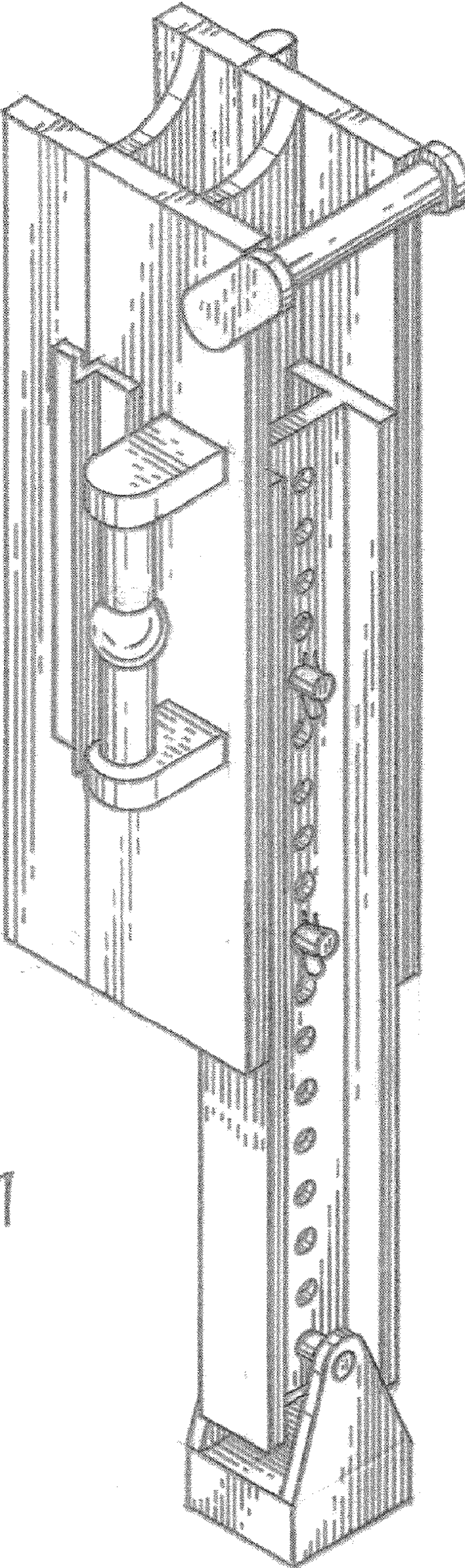


FIG. 1

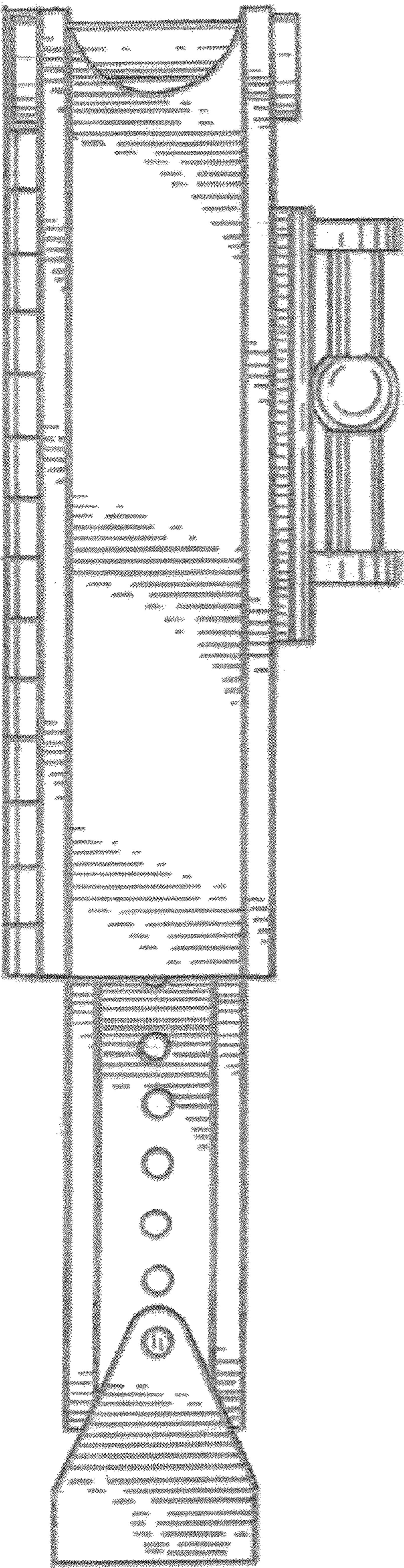


FIG. 2

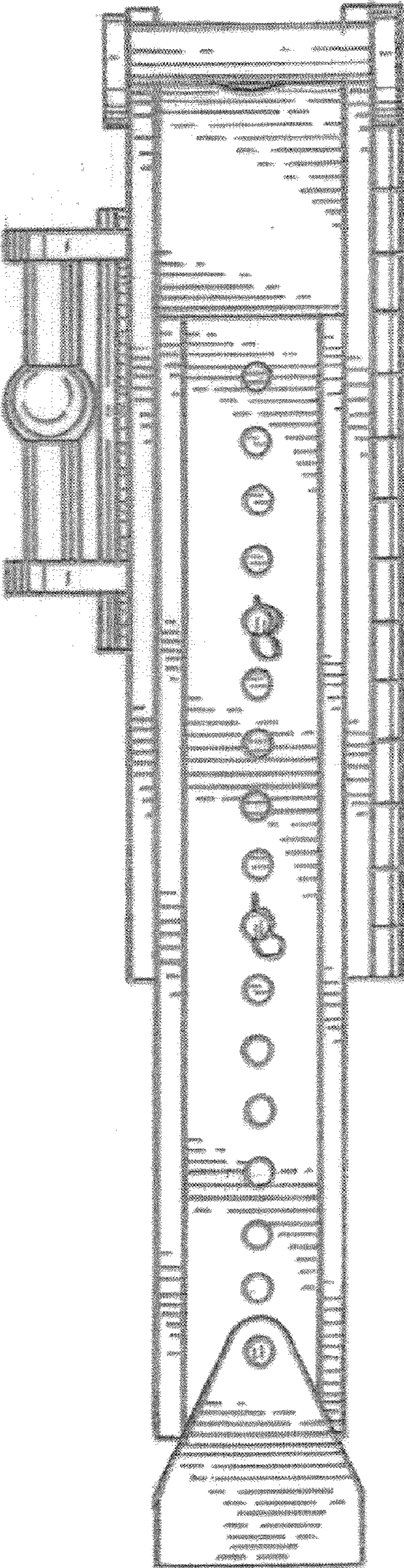


FIG. 3

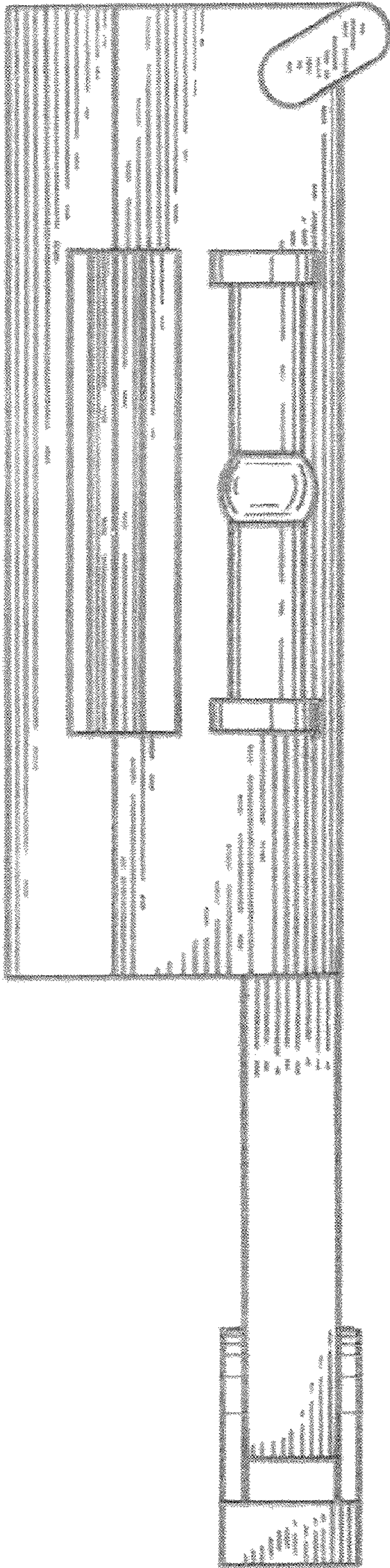


FIG. 4

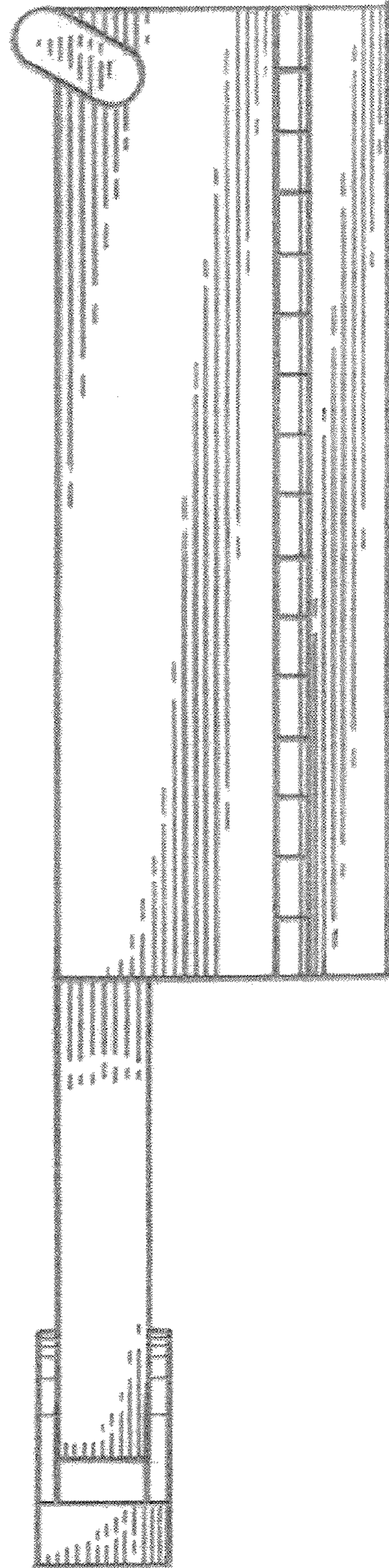


FIG. 5

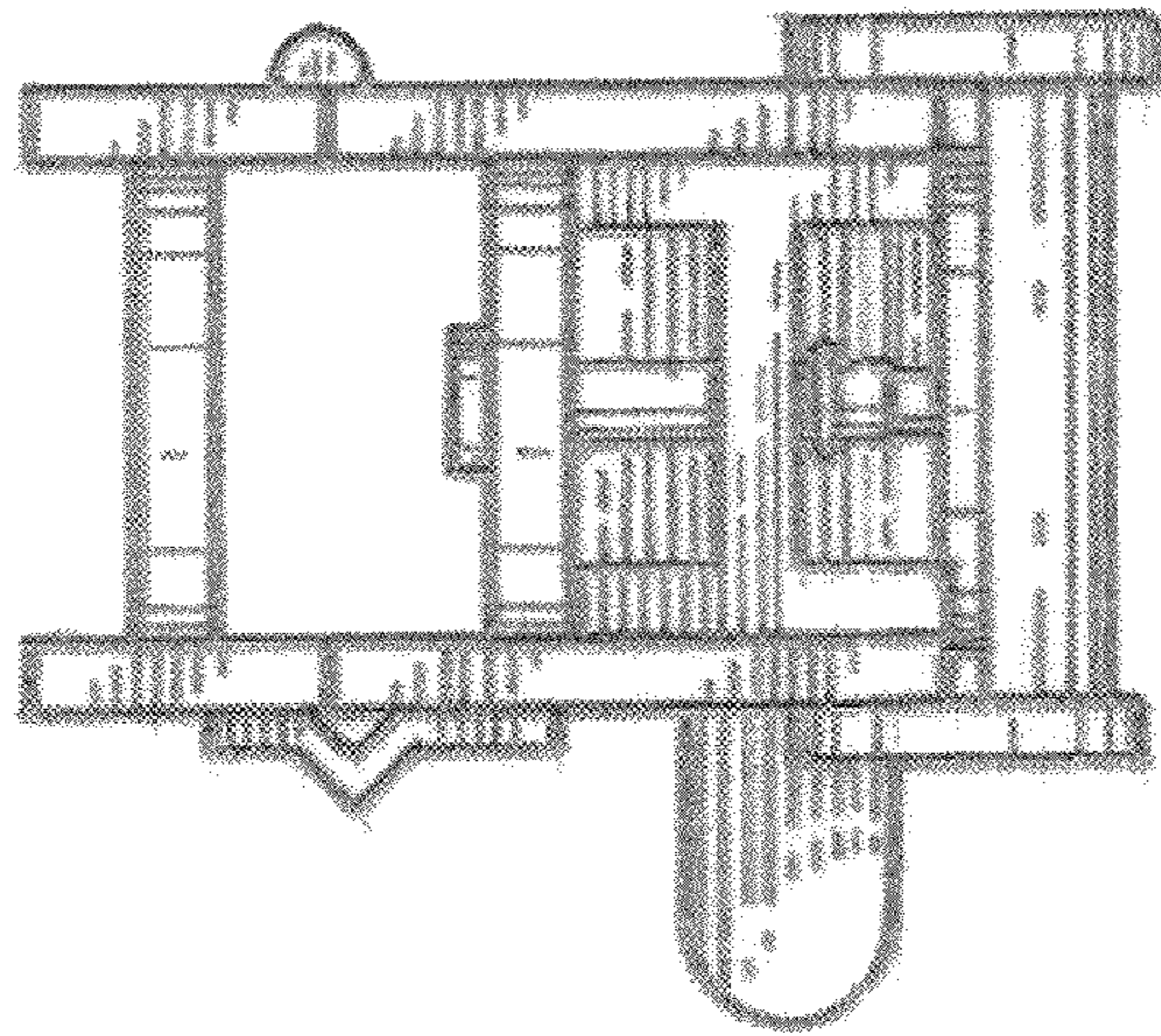


FIG. 6

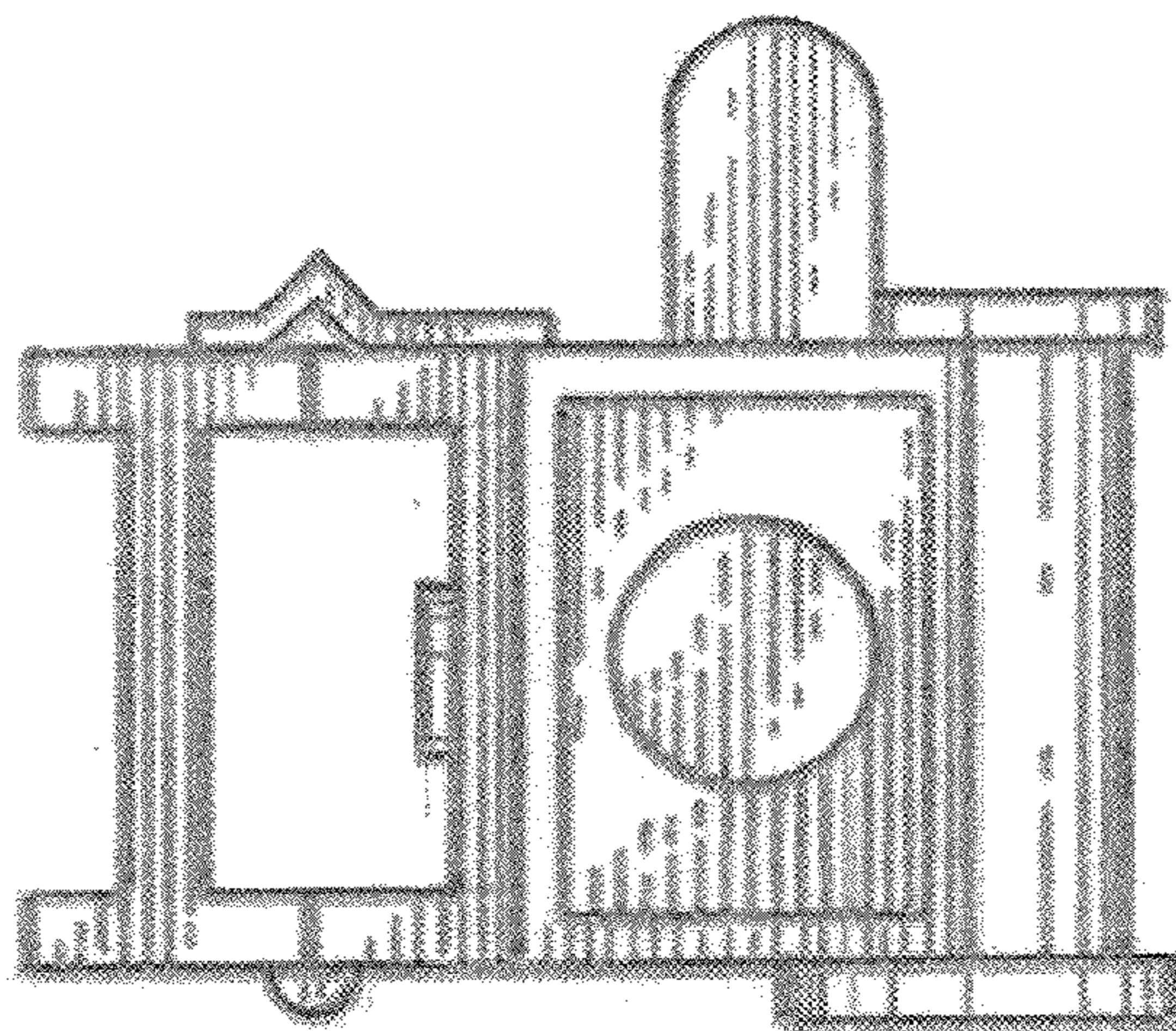


FIG. 7