

US00D662604S

(12) **United States Design Patent**
Pittman

(10) **Patent No.:** **US D662,604 S**
(45) **Date of Patent:** **** Jun. 26, 2012**

(54) **HANDLE FOR A MEDICAL SHARPS
HOLDING TRAY**

(75) Inventor: **William G. Pittman**, Knoxville, TN
(US)

(73) Assignee: **DeRoyal Industries, Inc.**, Powell, TN
(US)

(**) Term: **14 Years**

(21) Appl. No.: **29/404,425**

(22) Filed: **Oct. 20, 2011**

(51) **LOC (9) Cl.** **24-01**

(52) **U.S. Cl.** **D24/227**

(58) **Field of Classification Search** D24/123,
D24/176-177, 216, 223-232, 217, 195; 422/99,
422/102, 104, 297, 300; 206/363, 370, 557;
D3/304, 307, 308, 314, 315; D7/500, 550.1,
D7/602, 554.3, 543-587, 354, 552.2, 409,
D7/359-361, 676; D6/406.1, 406.2, 406.3,
D6/601; 220/574; D9/425; D11/102, 104,
D11/160, 136, 154, 125; D8/313-317; D10/109.01;
D20/32-33

See application file for complete search history.

(56) **References Cited**

U.S. PATENT DOCUMENTS

D234,583 S *	3/1975	Bowley	D11/136
D247,843 S *	5/1978	Pittenger	D8/317
D255,280 S *	6/1980	Anderson	D11/54
D259,057 S *	4/1981	Lancellotti et al.	D24/217
D272,425 S *	1/1984	Carroll	D11/125
D272,613 S *	2/1984	Stewart	D11/160
D274,859 S *	7/1984	Harris et al.	D11/104
D289,387 S *	4/1987	Stavola et al.	D10/109.1
D301,835 S *	6/1989	Gorman et al.	D7/676
4,889,231 A *	12/1989	Foote et al.	206/363

D313,276 S *	12/1990	McHugh	D24/227
D334,973 S *	4/1993	Valentine et al.	D24/227
D337,830 S *	7/1993	Coyne et al.	D24/229
D363,002 S *	10/1995	Douglas	D7/543
D387,177 S	12/1997	Davis		
5,791,472 A	8/1998	Davis		
D408,682 S *	4/1999	Costa	D7/354
5,938,063 A	8/1999	Hoftman		
6,065,596 A	5/2000	Cavanagh		
D470,664 S *	2/2003	Richter	D11/160
D493,670 S *	8/2004	De Neubourg	D7/554.3
D495,749 S *	9/2004	Van Veen et al.	D20/32

(Continued)

OTHER PUBLICATIONS

Needle Counters on Internet Kleen Needle Counter With Disposa-
Tray Ca48—Mowhawk Medical Mall—Feb. 10, 2012 (1 page).

(Continued)

Primary Examiner — T. Chase Nelson

Assistant Examiner — Mark Cavanna

(74) *Attorney, Agent, or Firm* — Luedeka Neely Group, PC

(57)

CLAIM

The ornamental design for handle for a medical sharps hold-
ing tray, as shown and described.

DESCRIPTION

FIG. 1 is an upper perspective view of a handle of my new
design;

FIG. 2 is a top plan view of the handle of FIG. 1;

FIG. 3 is a bottom plan view of the handle of FIG. 1;

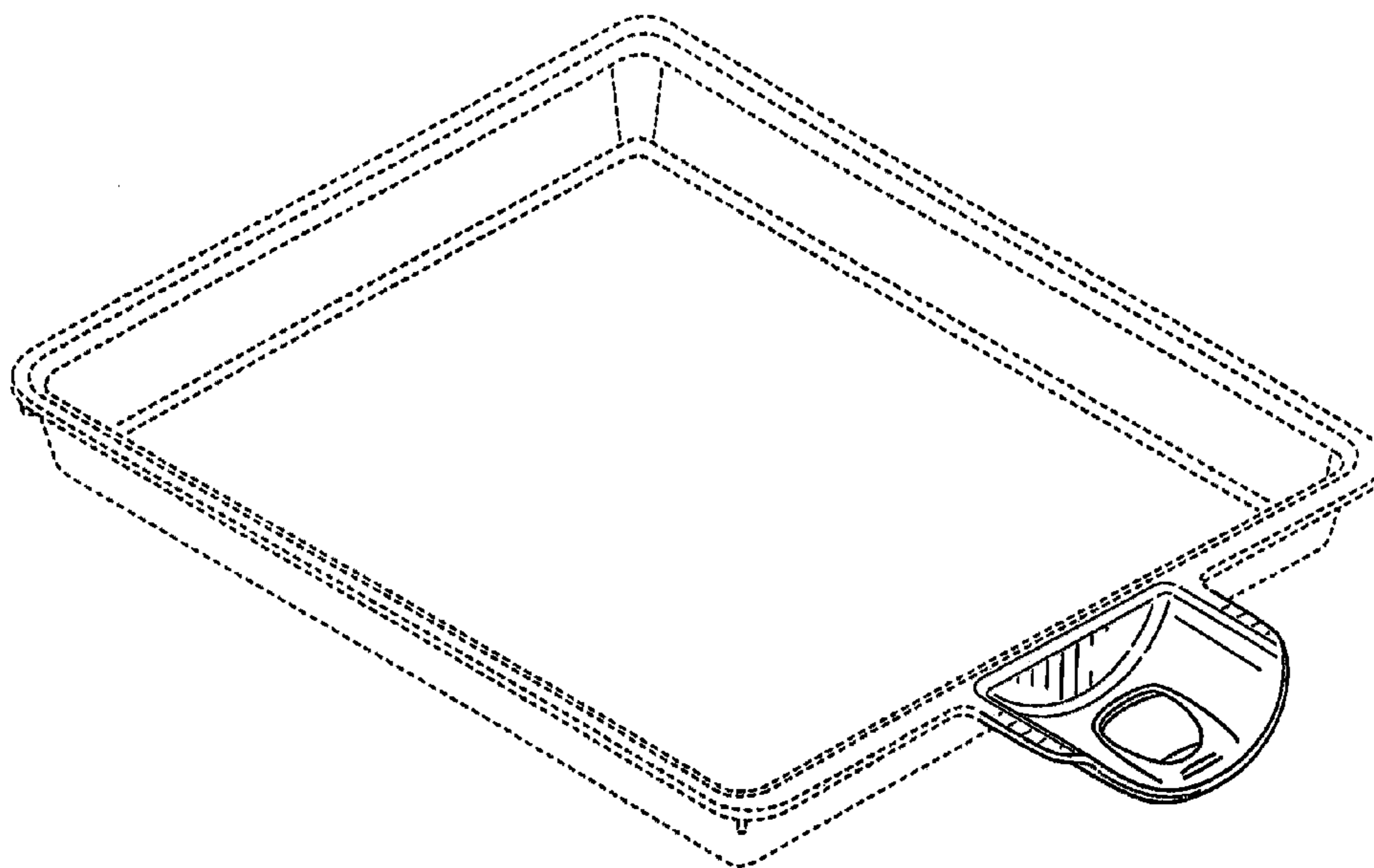
FIG. 4 is a right side view of the handle of FIG. 1;

FIG. 5 is a left side view of the handle of FIG. 1;

FIG. 6 is a front side view of the handle of FIG. 1; and,

FIG. 7 is a rear side view of the handle of FIG. 1.

1 Claim, 5 Drawing Sheets



US D662,604 S

Page 2

U.S. PATENT DOCUMENTS

D558,273 S * 12/2007 Keith D20/33
D578,352 S * 10/2008 Hauser D7/552.2
D595,560 S * 7/2009 Miska D8/314
D596,311 S * 7/2009 Antons D24/227
D597,394 S * 8/2009 Menzies D8/313
D618,821 S * 6/2010 Larsen D24/227
D622,630 S * 8/2010 De Felice D11/160
D623,087 S * 9/2010 Partida D11/160
D625,653 S * 10/2010 De Felice D11/160

D638,137 S * 5/2011 Gross et al. D24/227
D649,597 S * 11/2011 Malinowski D20/33
D650,912 S * 12/2011 Tomes et al. D24/227
D651,718 S * 1/2012 Grisham et al. D24/195

OTHER PUBLICATIONS

Needle Counters on Internet International Sharps Injury Prevention
Society—Feb. 10, 2012 (16 page).

* cited by examiner

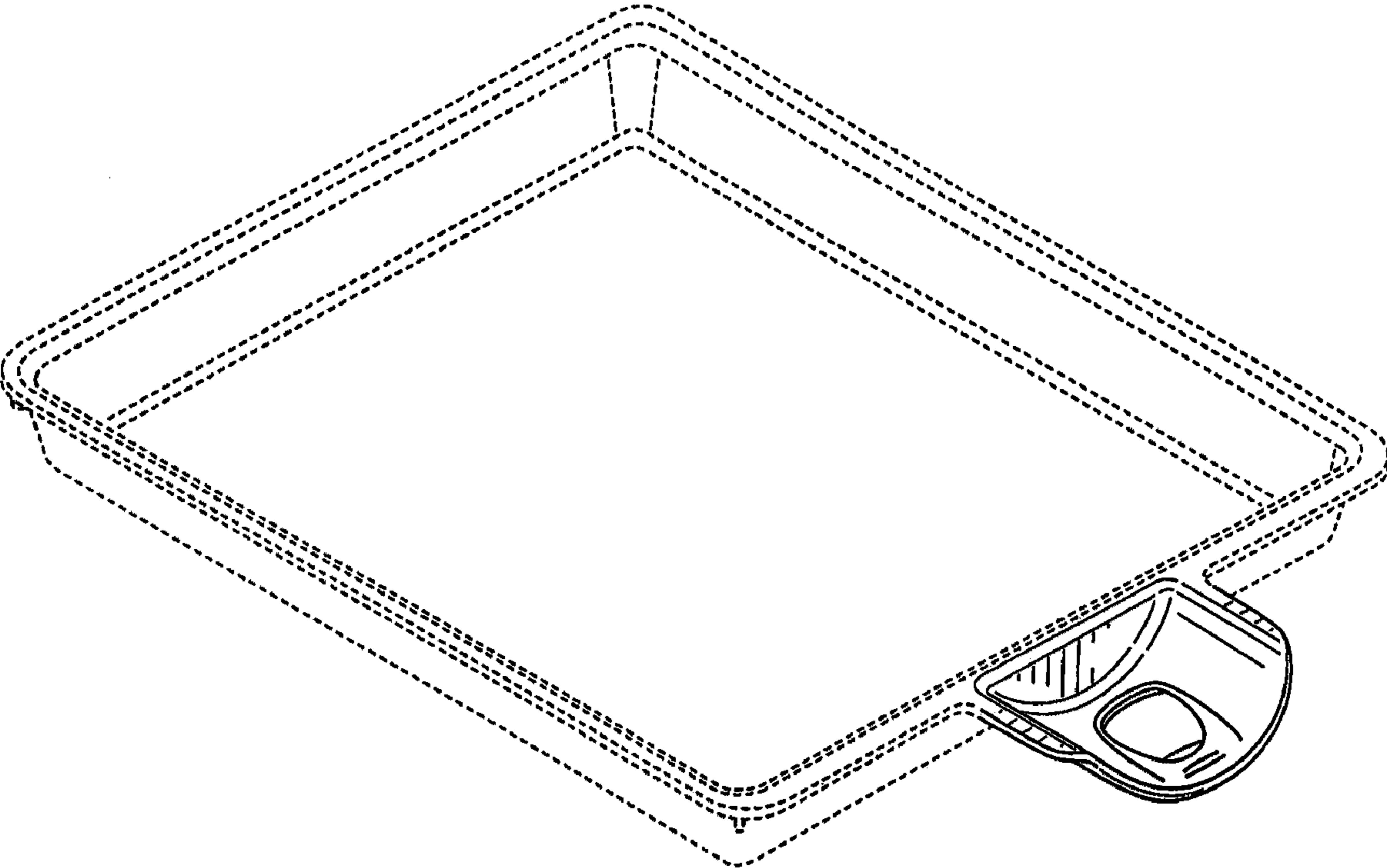


FIG. 1

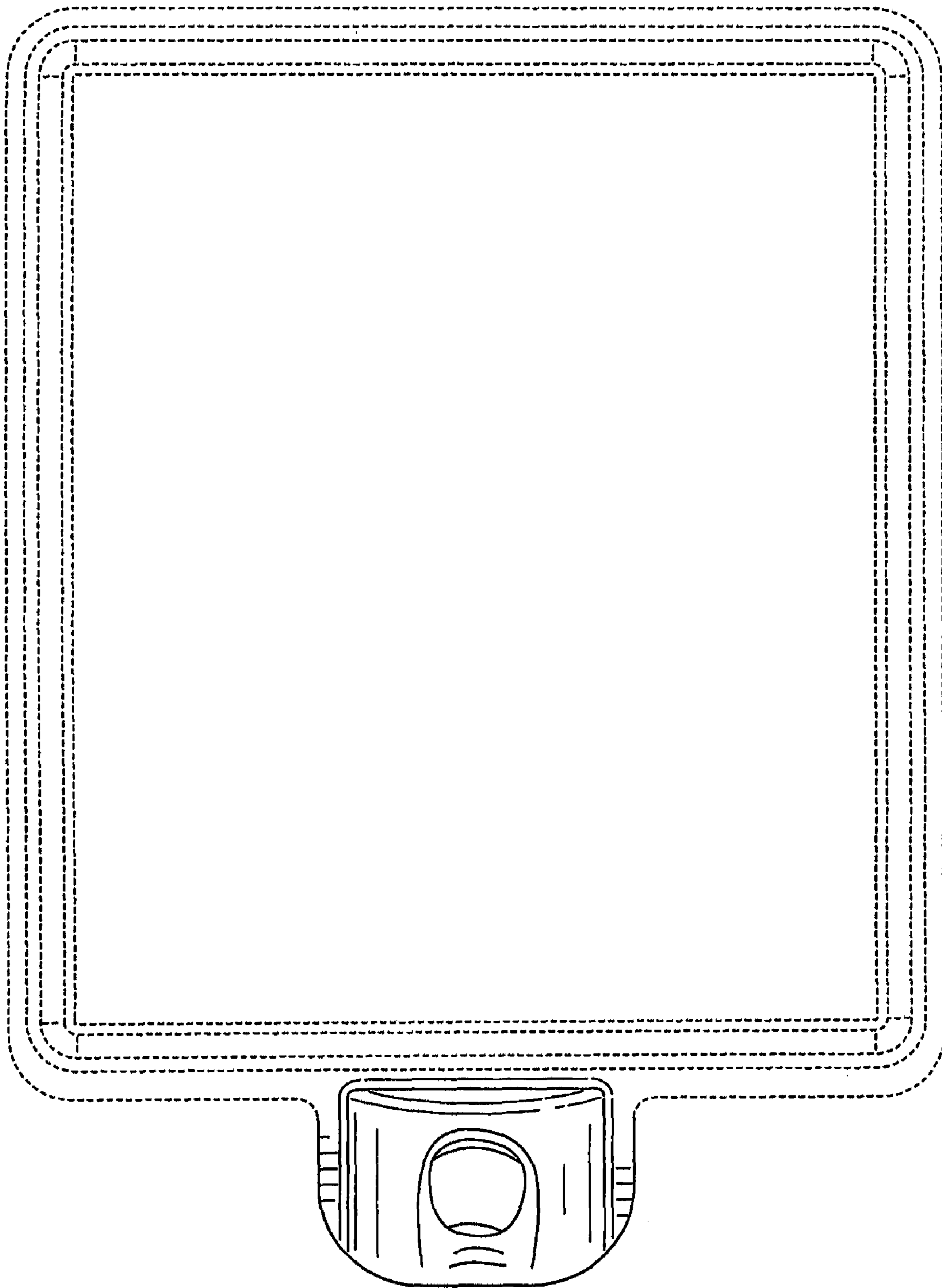


FIG. 2

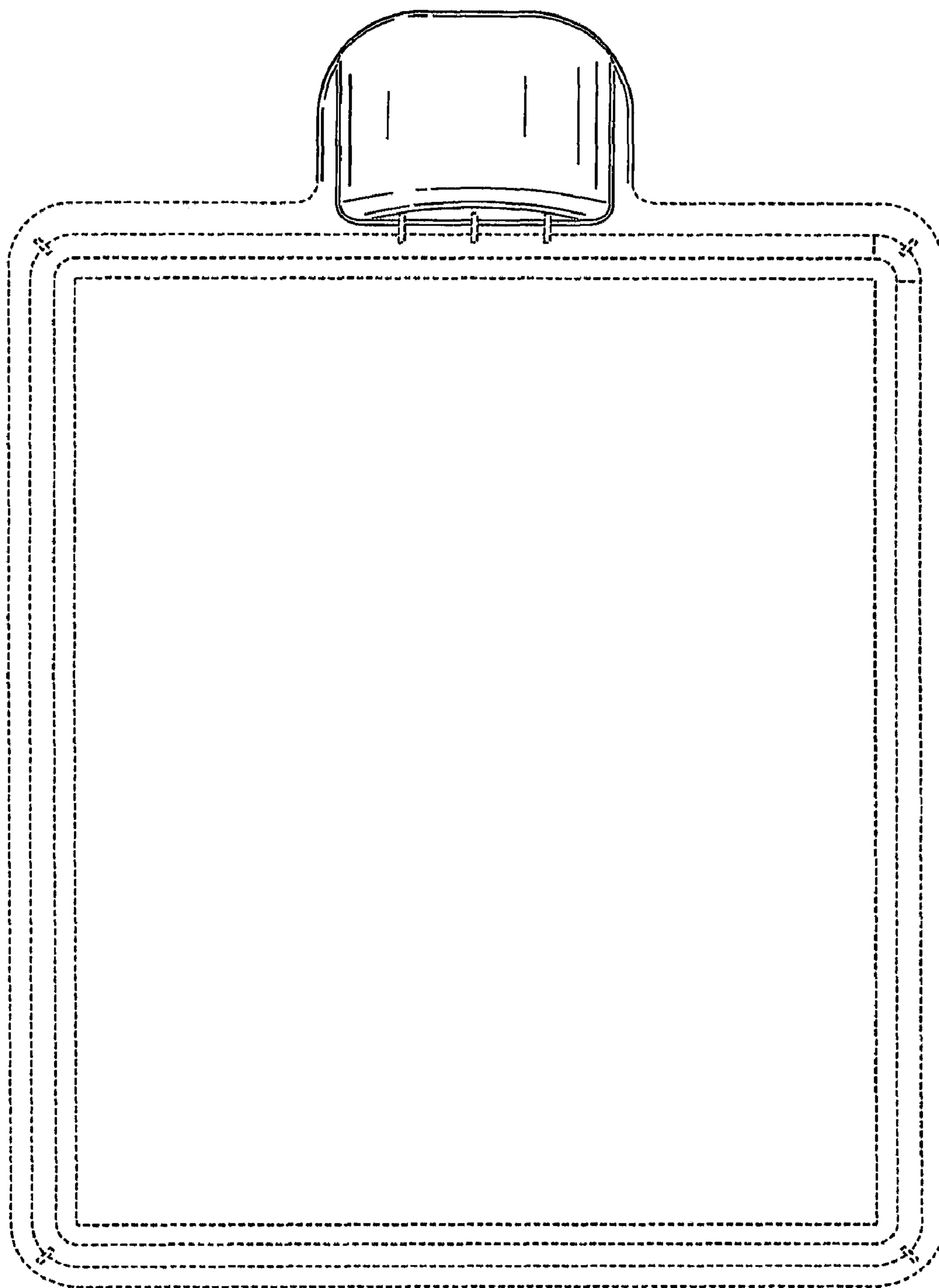


FIG. 3

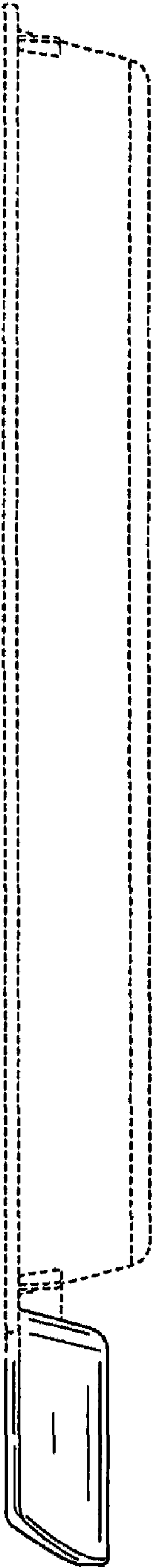


FIG. 4

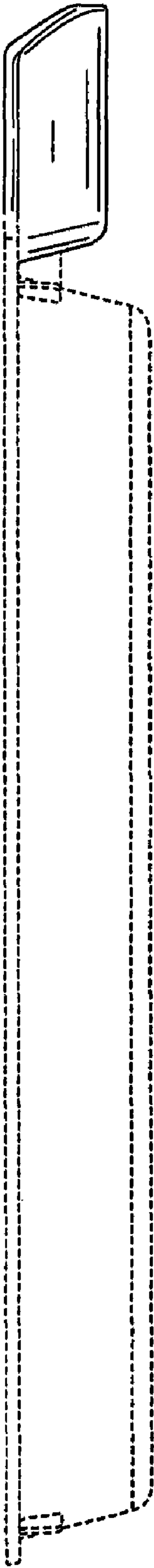


FIG. 5

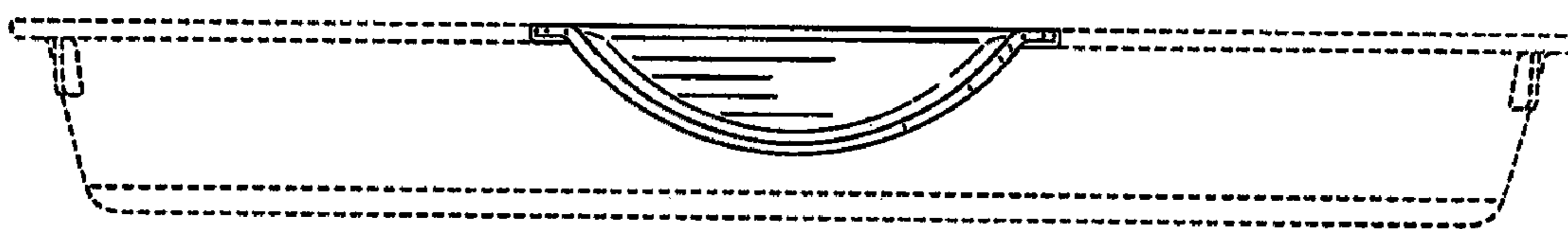


FIG. 6

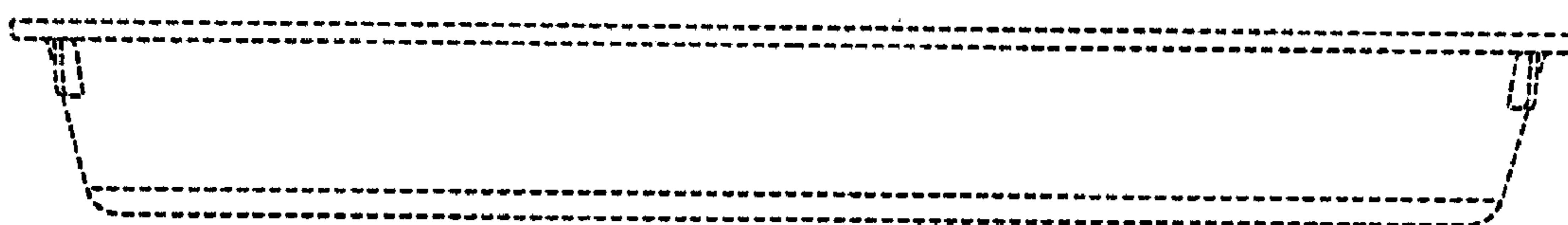


FIG. 7