

US00D662602S

(12) **United States Design Patent**  
**Foster et al.**

(10) **Patent No.:** **US D662,602 S**  
(45) **Date of Patent:** **\*\* Jun. 26, 2012**

(54) **ORTHOPAEDIC BONE CEMENT MIXING BOWL**

(75) Inventors: **David Foster**, Woodstock (GB); **Robert Bruns**, Kidlington (GB)

(73) Assignee: **Summit Medical Limited**, Gloucestershire (GB)

(\*\*) Term: **14 Years**

(21) Appl. No.: **29/377,983**

(22) Filed: **Oct. 28, 2010**

(30) **Foreign Application Priority Data**

May 20, 2010 (EM) ..... 1710294-0001

(51) **LOC (9) Cl.** ..... **24-01**

(52) **U.S. Cl.** ..... **D24/220; D24/216**

(58) **Field of Classification Search** ..... D24/220, D24/221, 216, 224, 231, 232; D7/679, 682, D7/543, 545, 565, 587; 366/130, 341; 206/219, 206/220; 220/574, 608; D28/20; D9/425, D9/428, 429

See application file for complete search history.

(56) **References Cited**

U.S. PATENT DOCUMENTS

|           |      |         |                      |       |         |
|-----------|------|---------|----------------------|-------|---------|
| 5,423,452 | A *  | 6/1995  | Tardif               | ..... | 220/574 |
| D414,876  | S *  | 10/1999 | Morimoto et al.      | ..... | D24/220 |
| 6,561,374 | B2 * | 5/2003  | Longstreth           | ..... | 220/574 |
| D543,634  | S *  | 5/2007  | Lundstrom            | ..... | D24/220 |
| D545,629  | S *  | 7/2007  | Mellen et al.        | ..... | D7/543  |
| D611,768  | S *  | 3/2010  | Muhl et al.          | ..... | D7/543  |
| D620,607  | S *  | 7/2010  | Anderson et al.      | ..... | D24/220 |
| D625,956  | S *  | 10/2010 | Goddard-Clark et al. | ..... | D7/543  |
| D625,961  | S *  | 10/2010 | Kent                 | ..... | D7/586  |
| 7,850,006 | B2 * | 12/2010 | Uchiyama             | ..... | 206/438 |

\* cited by examiner

*Primary Examiner* — Anhdao Doan

(74) *Attorney, Agent, or Firm* — Alix, Yale & Ristas, LLP

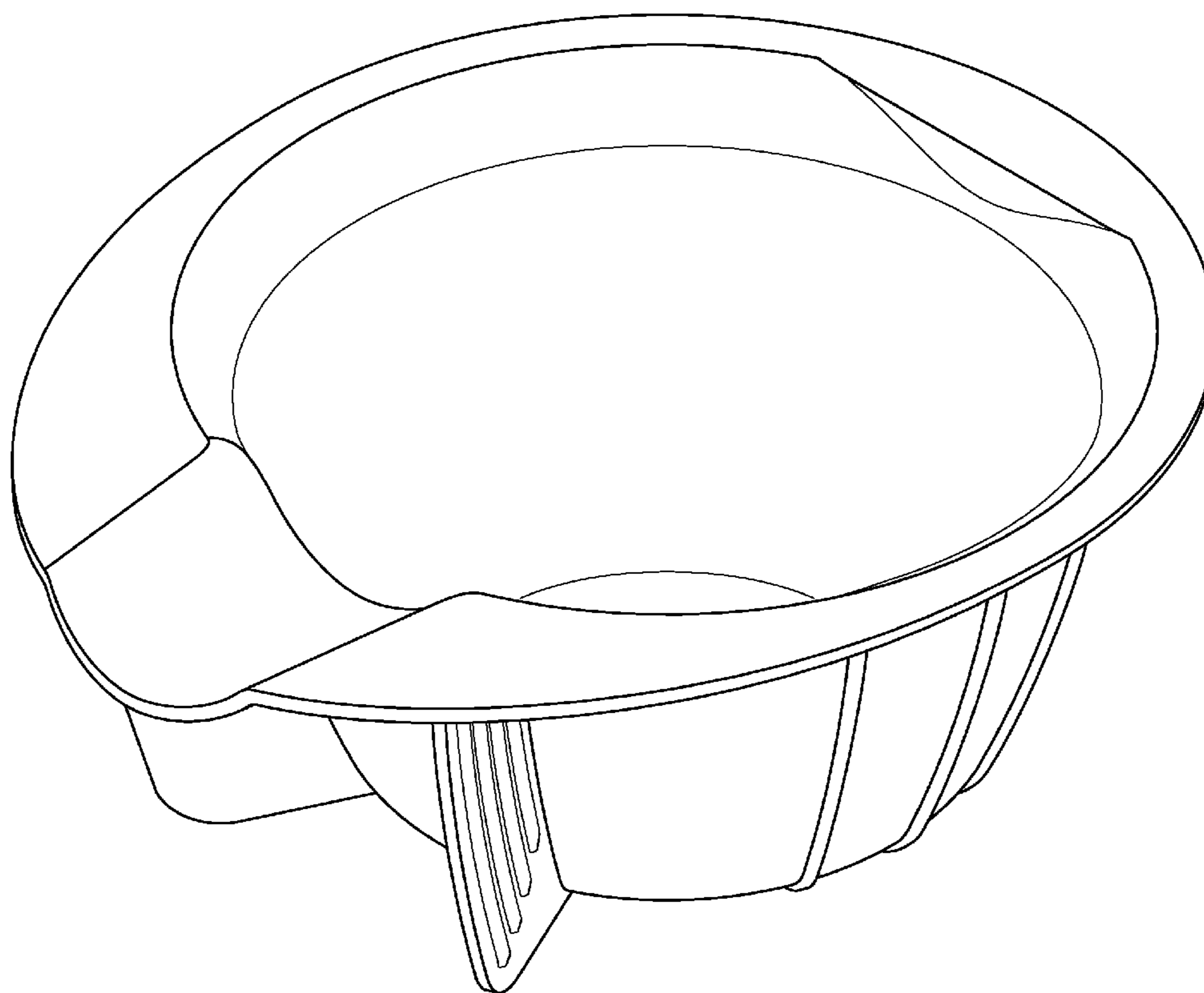
(57) **CLAIM**

The ornamental design for an orthopaedic bone cement mixing bowl, as shown and described.

**DESCRIPTION**

FIG. 1 is a perspective view of an orthopaedic bone cement mixing bowl showing our new design; FIG. 2 is a top plan view thereof; FIG. 3 is a bottom plan view thereof; FIG. 4 is a rear view thereof; FIG. 5 is a side view, the opposite side view being a mirror image thereof; and, FIG. 6 is a front view thereof.

**1 Claim, 3 Drawing Sheets**



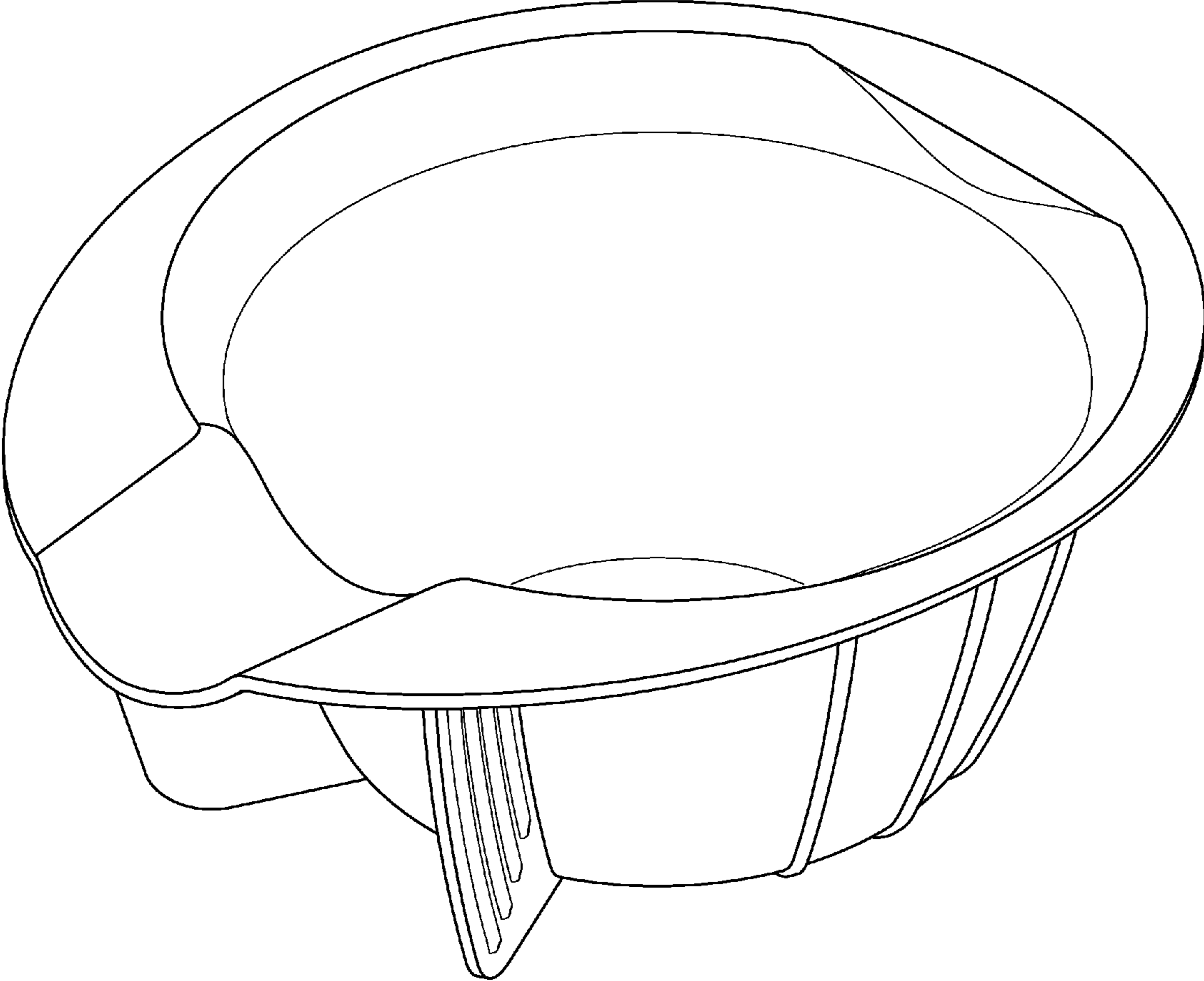


Fig. 1

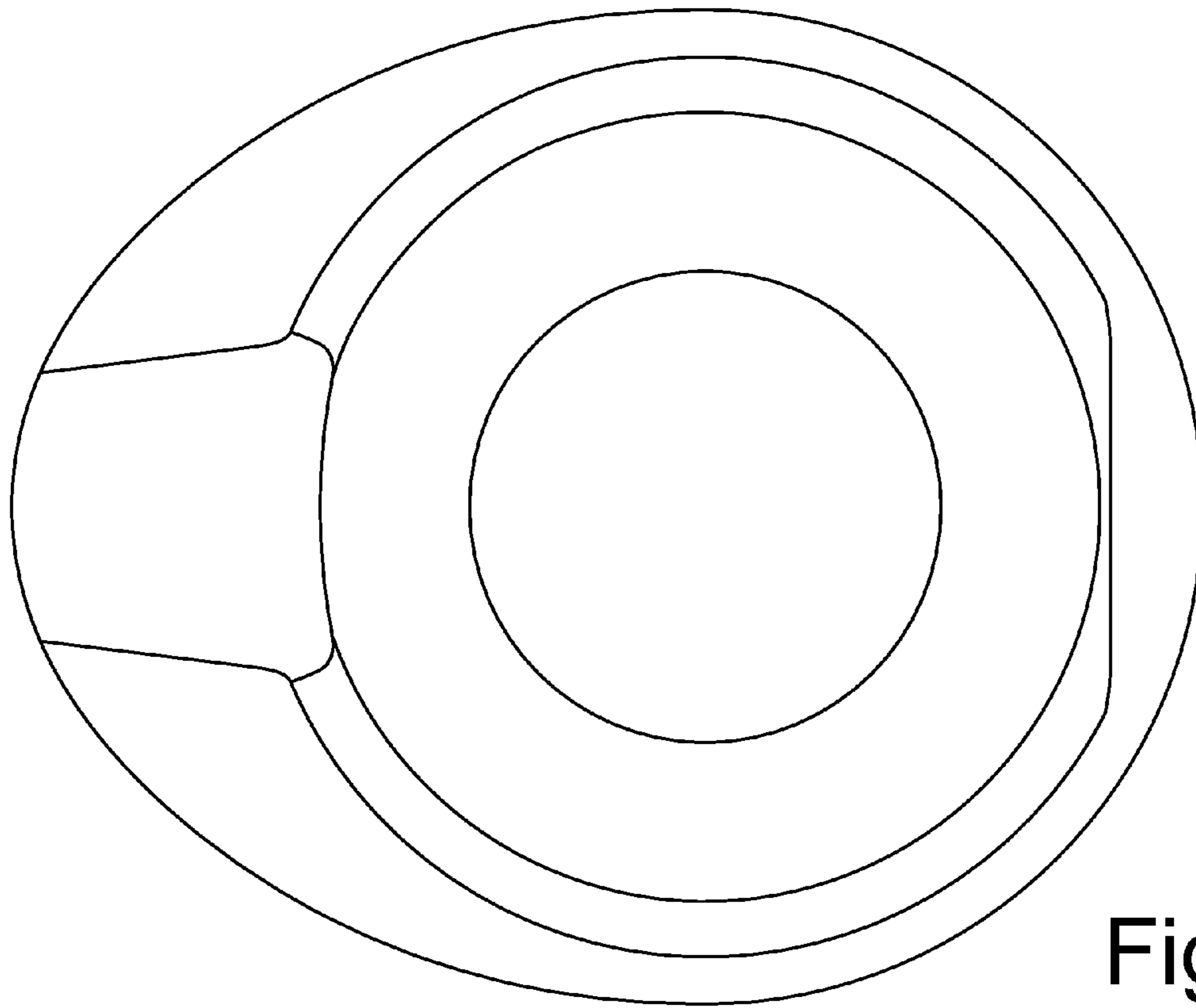


Fig.2

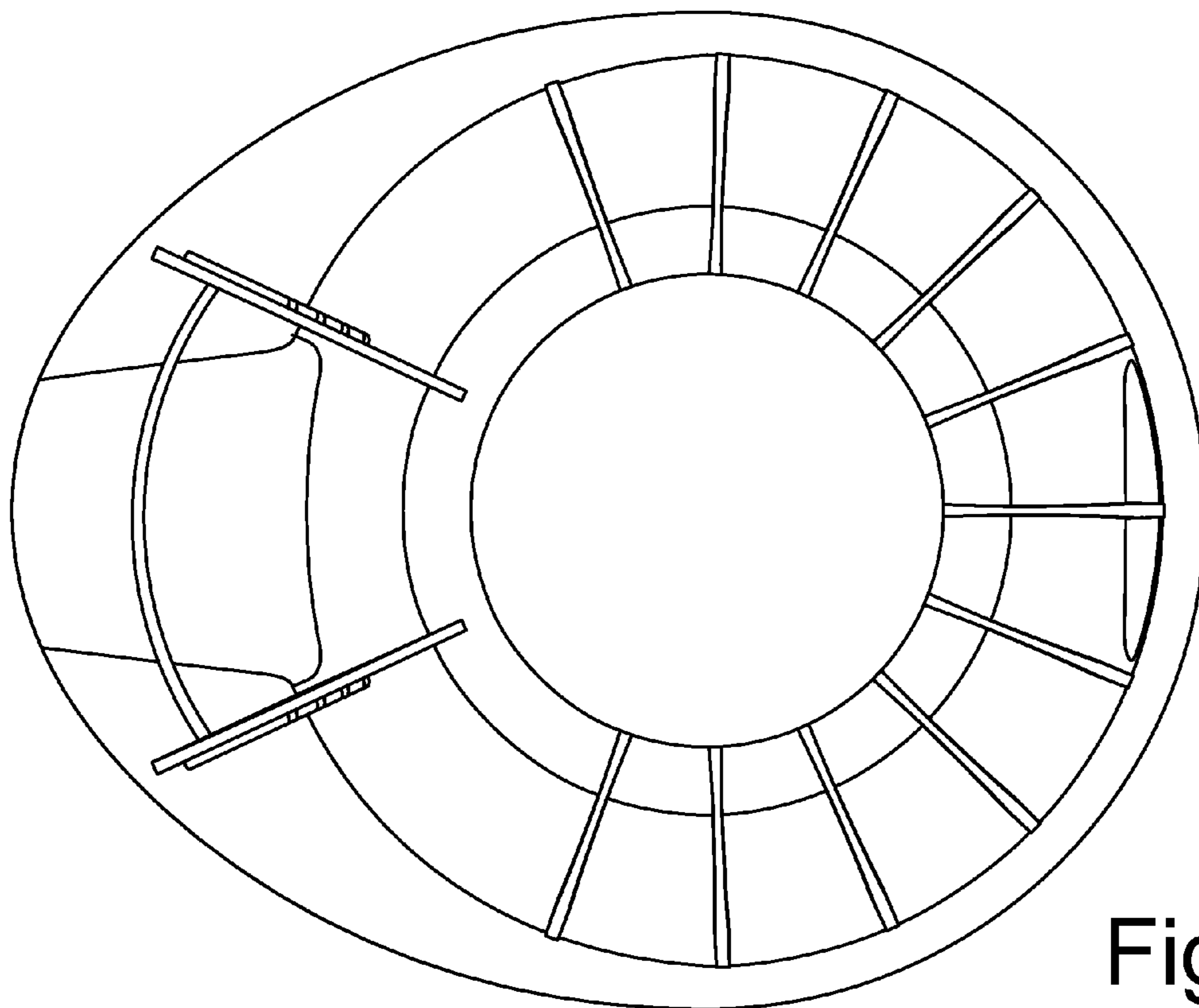


Fig.3

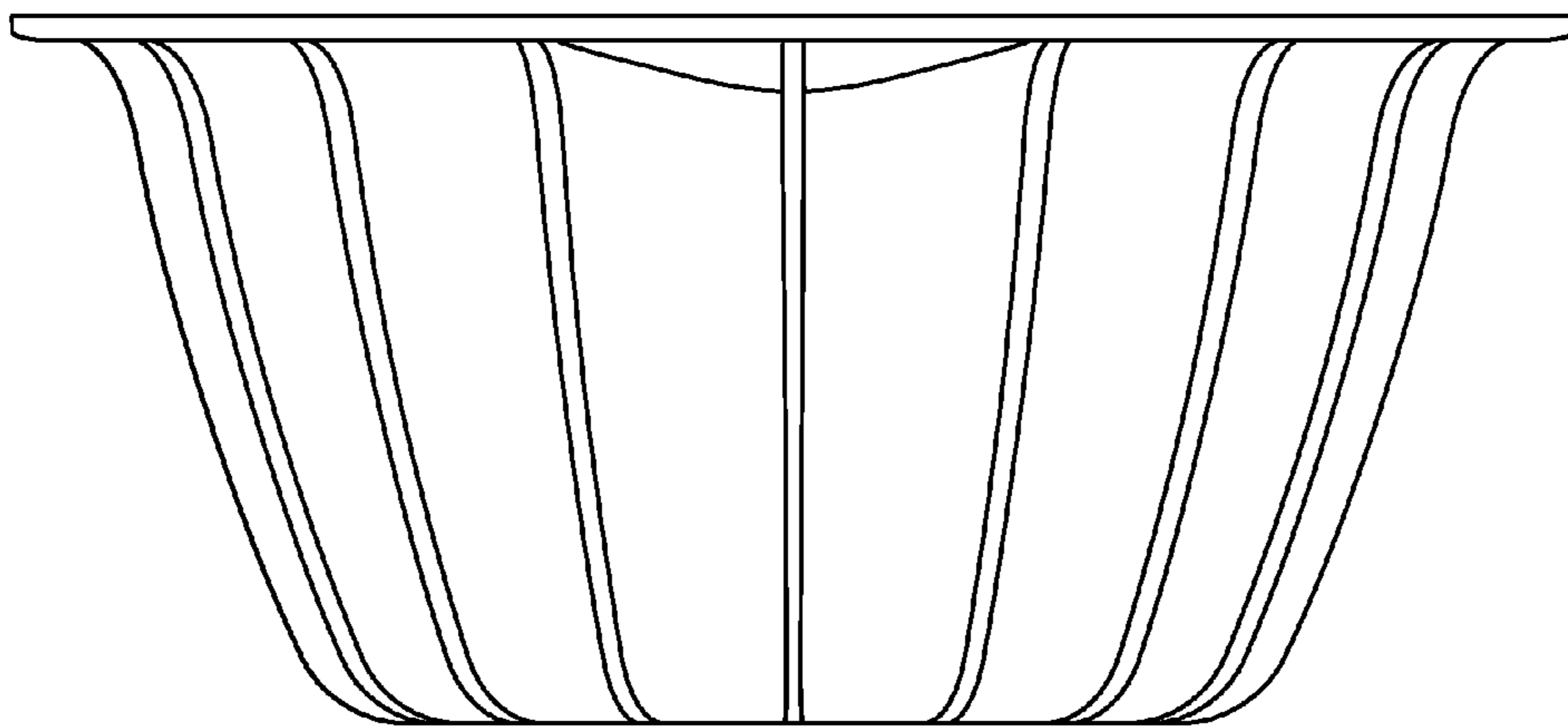


Fig.4

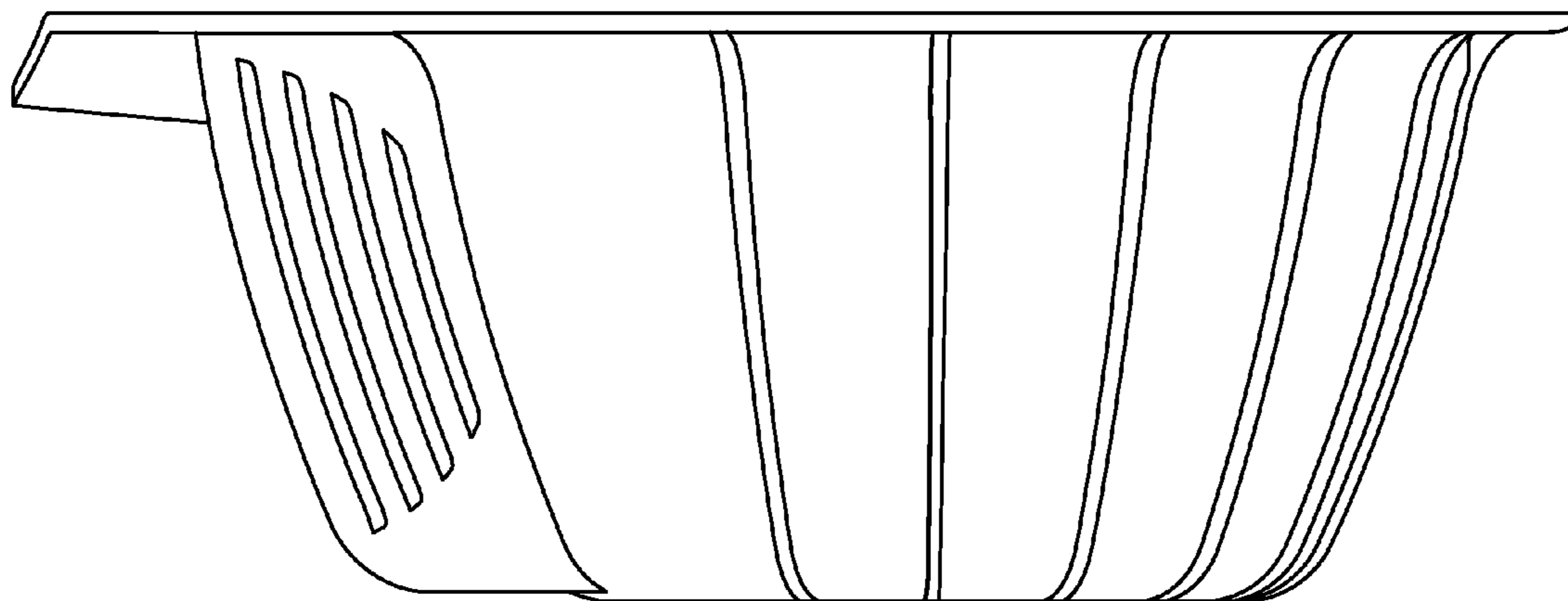


Fig.5

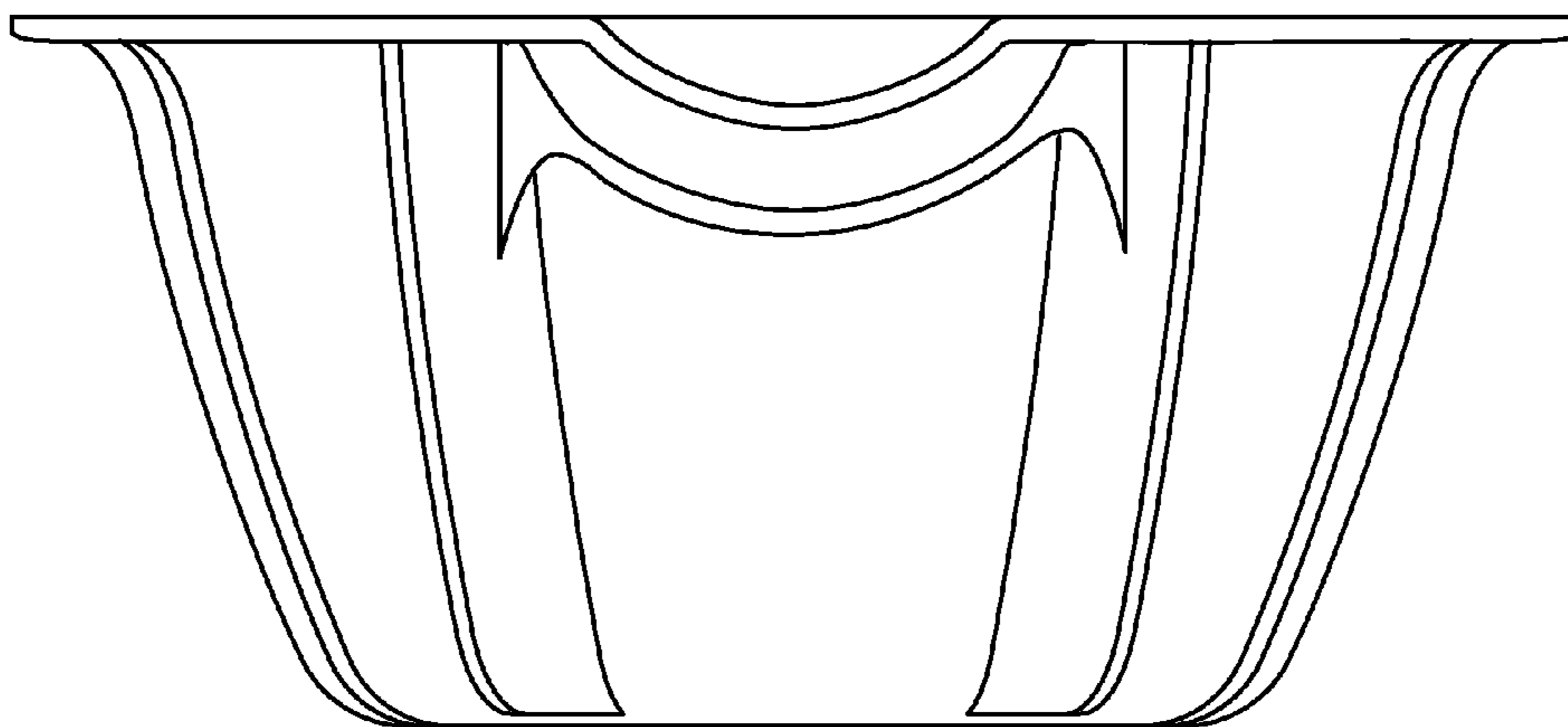


Fig.6