



US00D662600S

(12) **United States Design Patent**
Rhodes, II et al.

(10) **Patent No.:** **US D662,600 S**
(45) **Date of Patent:** **** Jun. 26, 2012**

(54) **PACIFIER SHIELD**

(75) Inventors: **Idus L. Rhodes, II**, Maplewood, MO (US); **Janine Berger**, Hoboken, NJ (US)

(73) Assignee: **Handi-Craft Company**, St. Louis, MO (US)

(**) Term: **14 Years**

(21) Appl. No.: **29/401,909**

(22) Filed: **Sep. 16, 2011**

(51) **LOC (9) Cl.** **24-04**

(52) **U.S. Cl.** **D24/194**

(58) **Field of Classification Search** D24/193–196, D24/199; 606/234–236; 215/11.1–11.6
See application file for complete search history.

(56) **References Cited**

U.S. PATENT DOCUMENTS

D269,462	S	6/1983	Qually	
4,403,613	A	9/1983	Panicci	
D285,839	S	9/1986	Roehrig	
4,768,510	A	9/1988	Leung	
4,898,171	A	2/1990	Moss	
4,898,291	A	2/1990	Sailors	
D334,064	S *	3/1993	Fitzpatrick	D24/194
5,403,349	A	4/1995	Röhrig	
5,454,835	A	10/1995	Wu	
D375,793	S *	11/1996	Owen	D24/195
D380,836	S *	7/1997	Fitzpatrick et al.	D24/194
5,653,731	A	8/1997	Röhrig	
5,843,030	A	12/1998	Van Der Merwe	
D404,137	S *	1/1999	Underwood et al.	D24/194
D413,387	S *	8/1999	Fitzpatrick et al.	D24/194
6,080,186	A	6/2000	Pedersen et al.	
D430,675	S *	9/2000	Roehrig	D24/194
D441,083	S	4/2001	Roehrig	
D450,126	S *	11/2001	Fitzpatrick et al.	D24/194
D453,379	S *	2/2002	Roehrig	D24/194
6,468,294	B2	10/2002	Griffith	
6,514,275	B2 *	2/2003	Rohrig	606/234
D471,635	S	3/2003	Vogl	
6,695,869	B2 *	2/2004	Fitzpatrick et al.	606/234

6,699,264	B1	3/2004	Röhrig	
6,767,357	B2	7/2004	Uehara et al.	
D501,256	S *	1/2005	Roehrig	D24/194
7,029,491	B2	4/2006	Davis	
D532,522	S *	11/2006	Struckmeier	D24/194
D559,391	S *	1/2008	Kliegman et al.	D24/194
D572,368	S *	7/2008	Kliegman et al.	D24/194
D574,963	S *	8/2008	Kliegman et al.	D24/194
D609,816	S *	2/2010	Roehrig et al.	D24/194
D612,945	S *	3/2010	Roehrig et al.	D24/194
D626,653	S *	11/2010	Roehrig et al.	D24/194
D636,496	S *	4/2011	Roehrig et al.	D24/194
2003/0163162	A1	8/2003	Uehara et al.	
2005/0080456	A1	4/2005	Sanbrook et al.	
2006/0036285	A1	2/2006	Davis	
2011/0125190	A1	5/2011	Rohrig	
2011/0160769	A1	6/2011	Tesini et al.	
2011/0184460	A1	7/2011	Hakim	

FOREIGN PATENT DOCUMENTS

WO	86/03402	6/1986
WO	03/105749 A1	12/2003

* cited by examiner

Primary Examiner — Susan E Krakower

(74) *Attorney, Agent, or Firm* — Armstrong Teasdale LLP

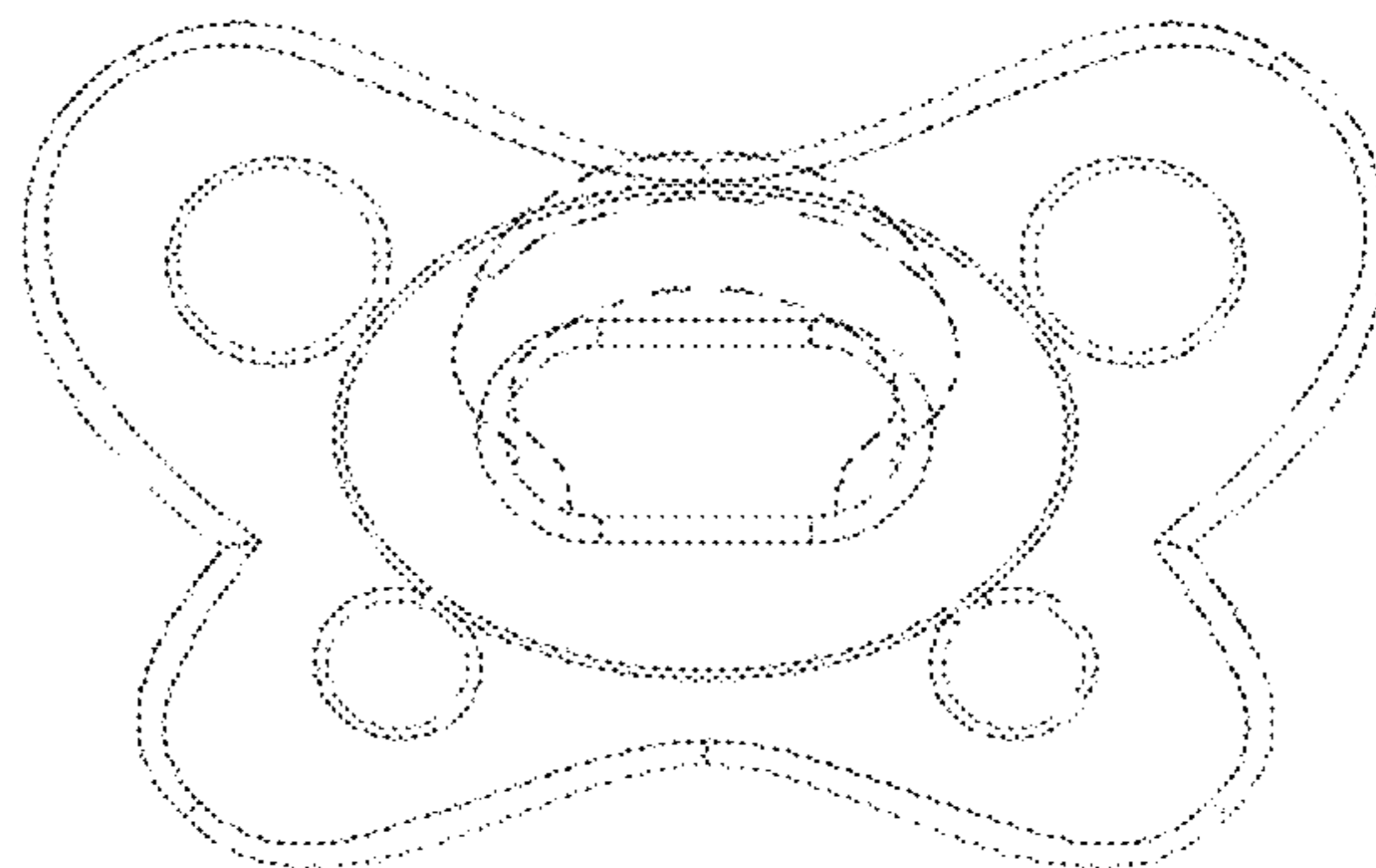
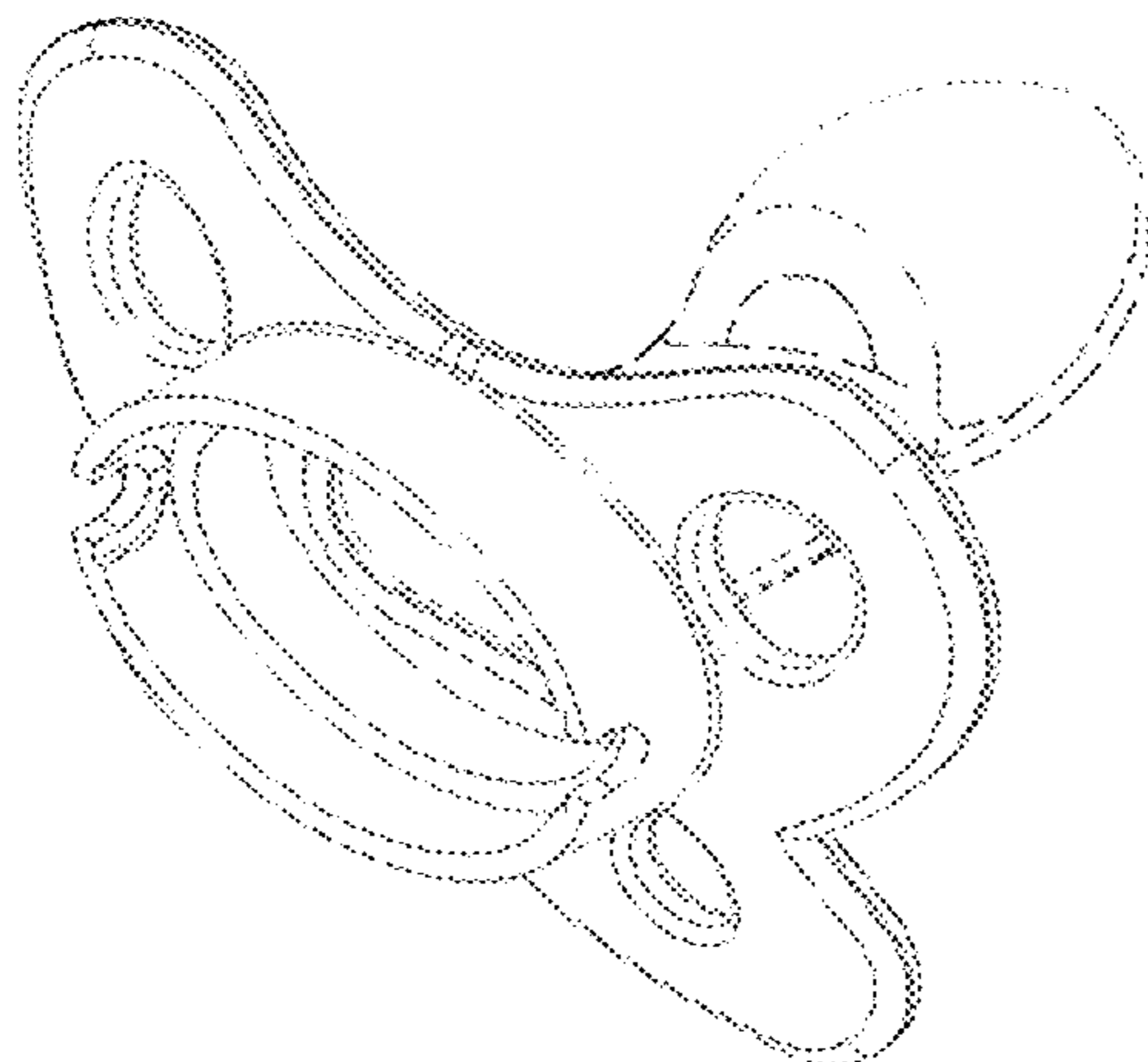
(57) **CLAIM**

The ornamental design for a pacifier shield, as shown and described.

DESCRIPTION

FIG. 1 is a perspective view of a pacifier shield of our new design;
FIG. 2 is a front elevation thereof;
FIG. 3 is a rear elevation thereof;
FIG. 4 is a right side elevation thereof;
FIG. 5 is a left side elevation thereof;
FIG. 6 is a top plan view thereof; and,
FIG. 7 is a bottom plan view thereof.
The broken lines illustrate environmental structure and form no part of the claimed design.

1 Claim, 7 Drawing Sheets



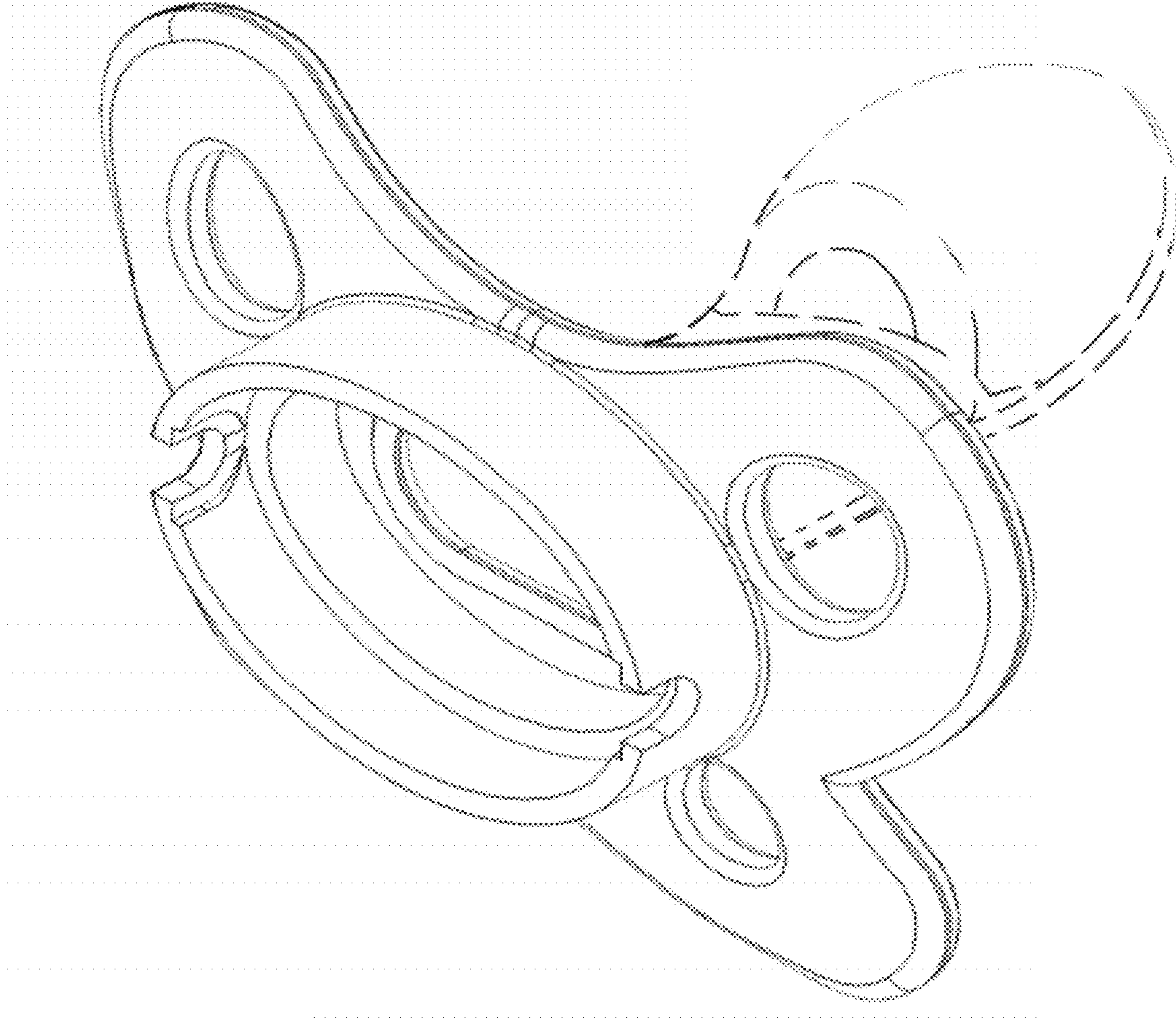


FIG. 1

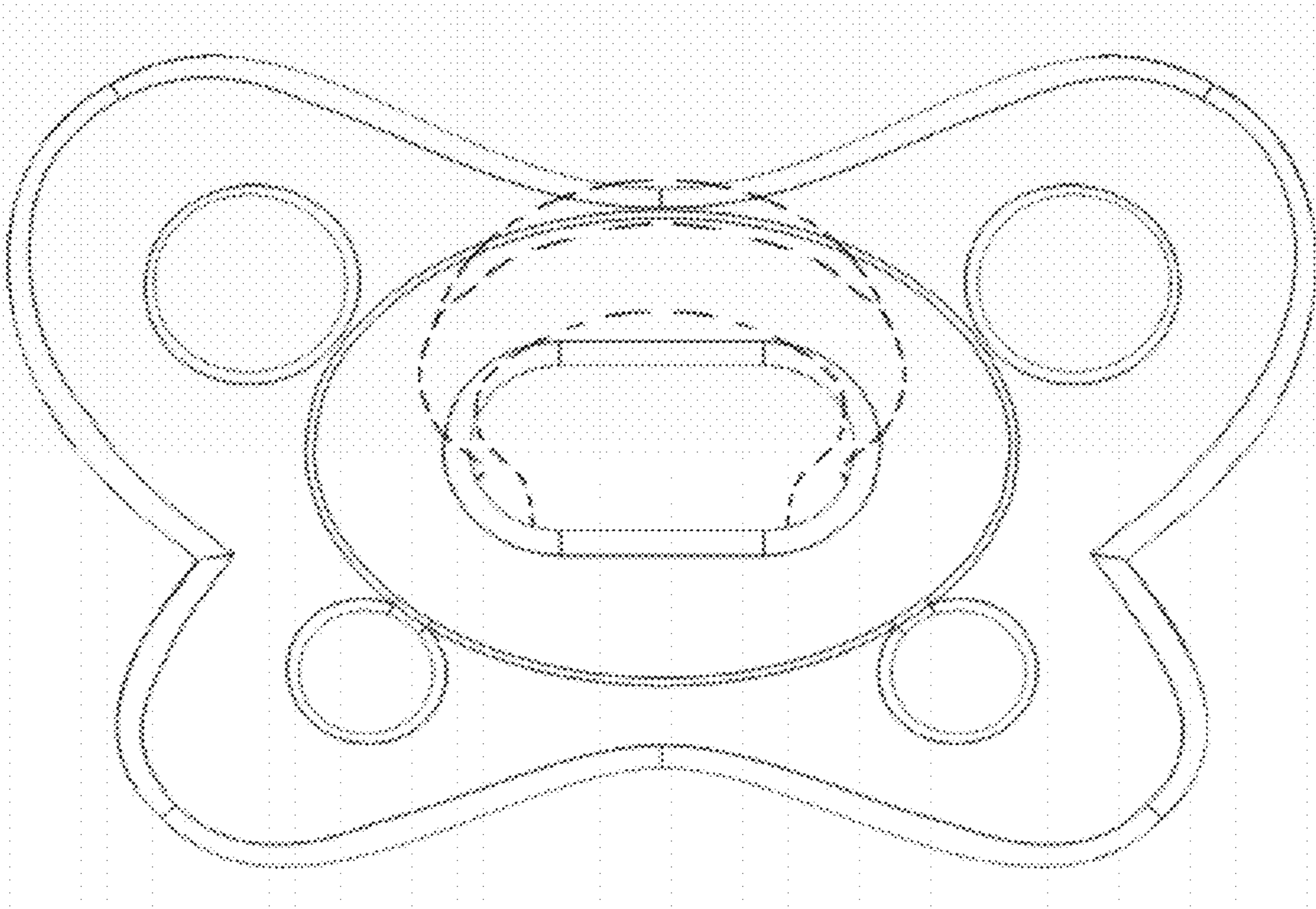


FIG. 2

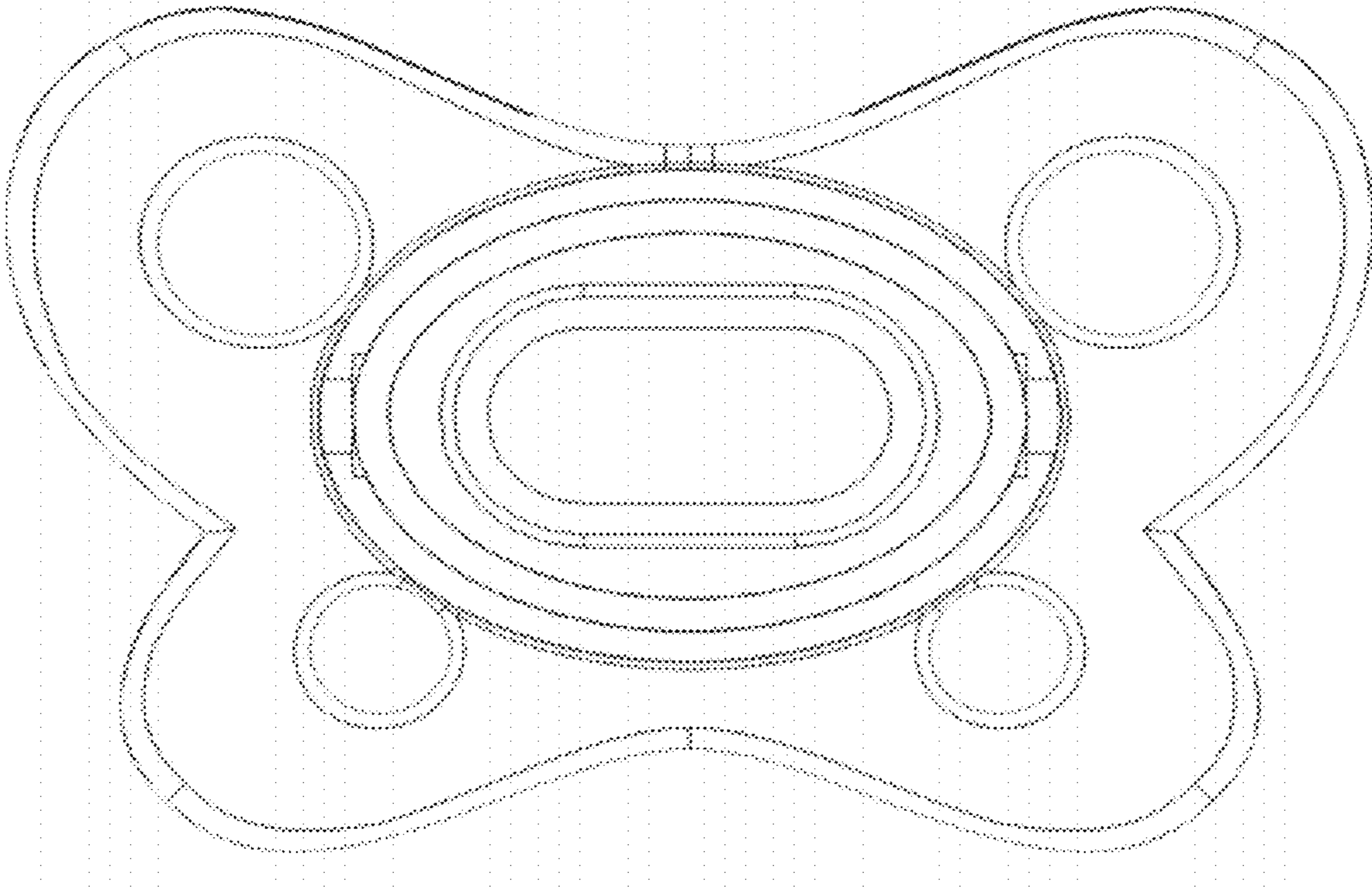


FIG. 3

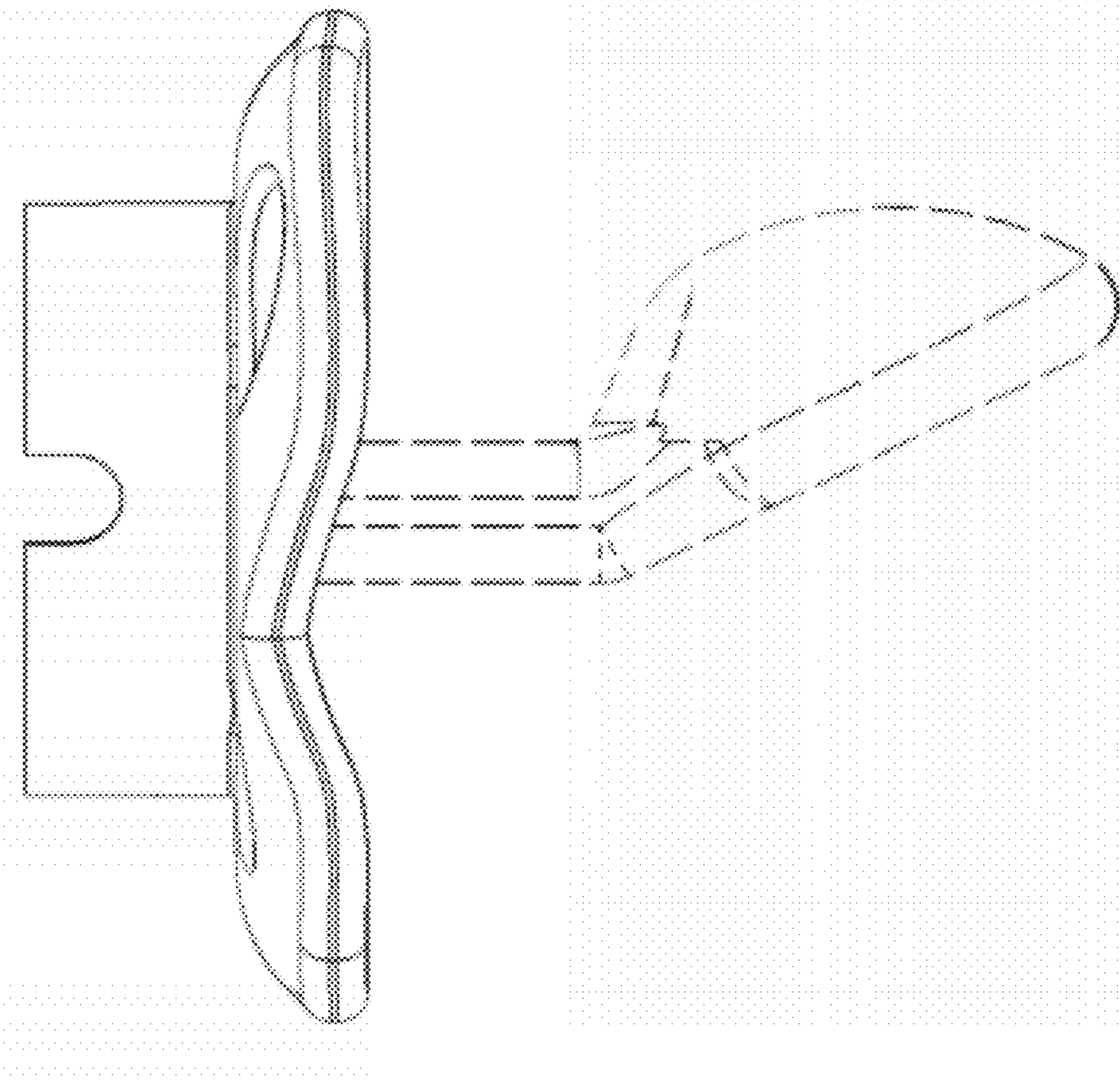


FIG. 4

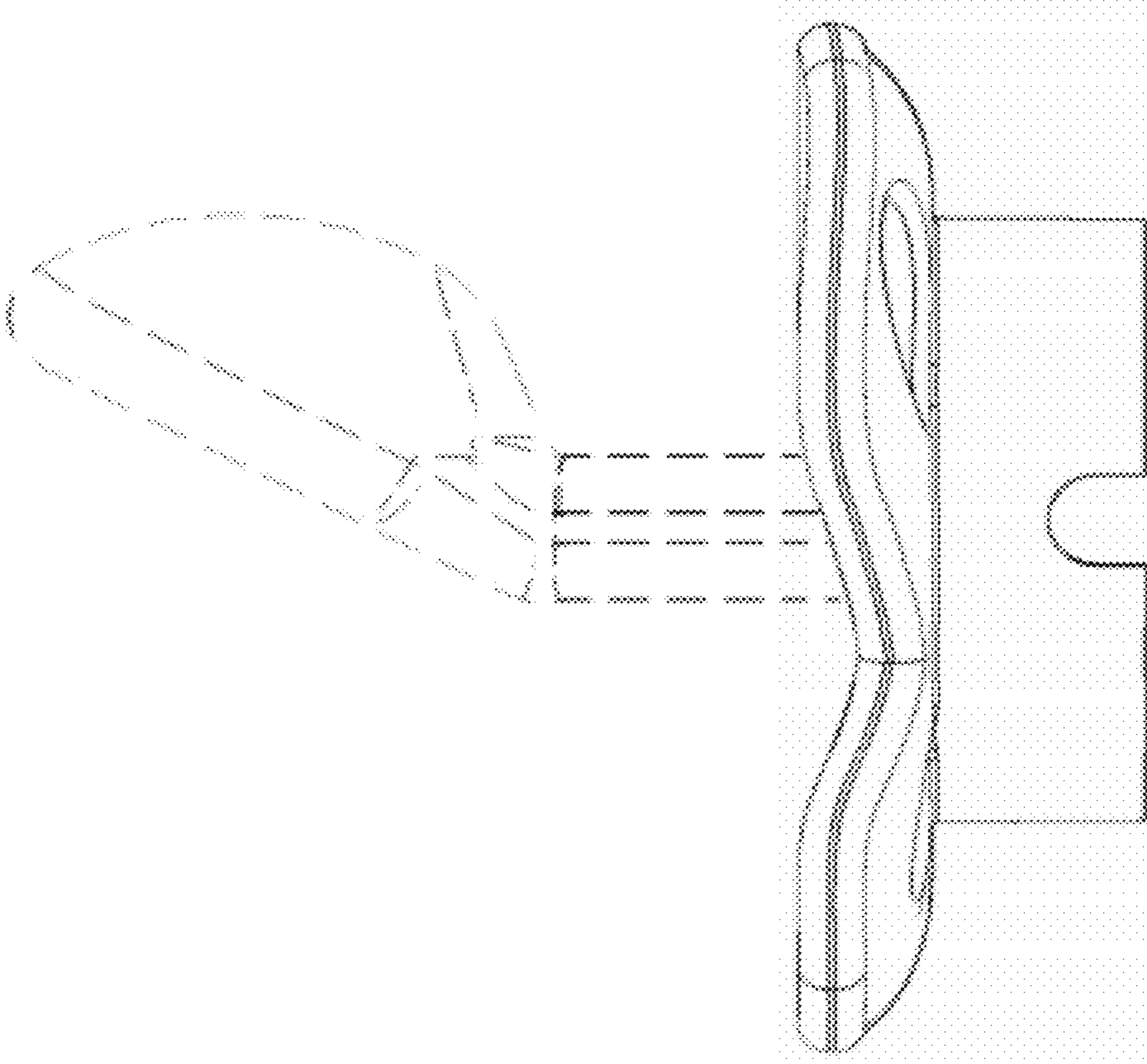


FIG. 5

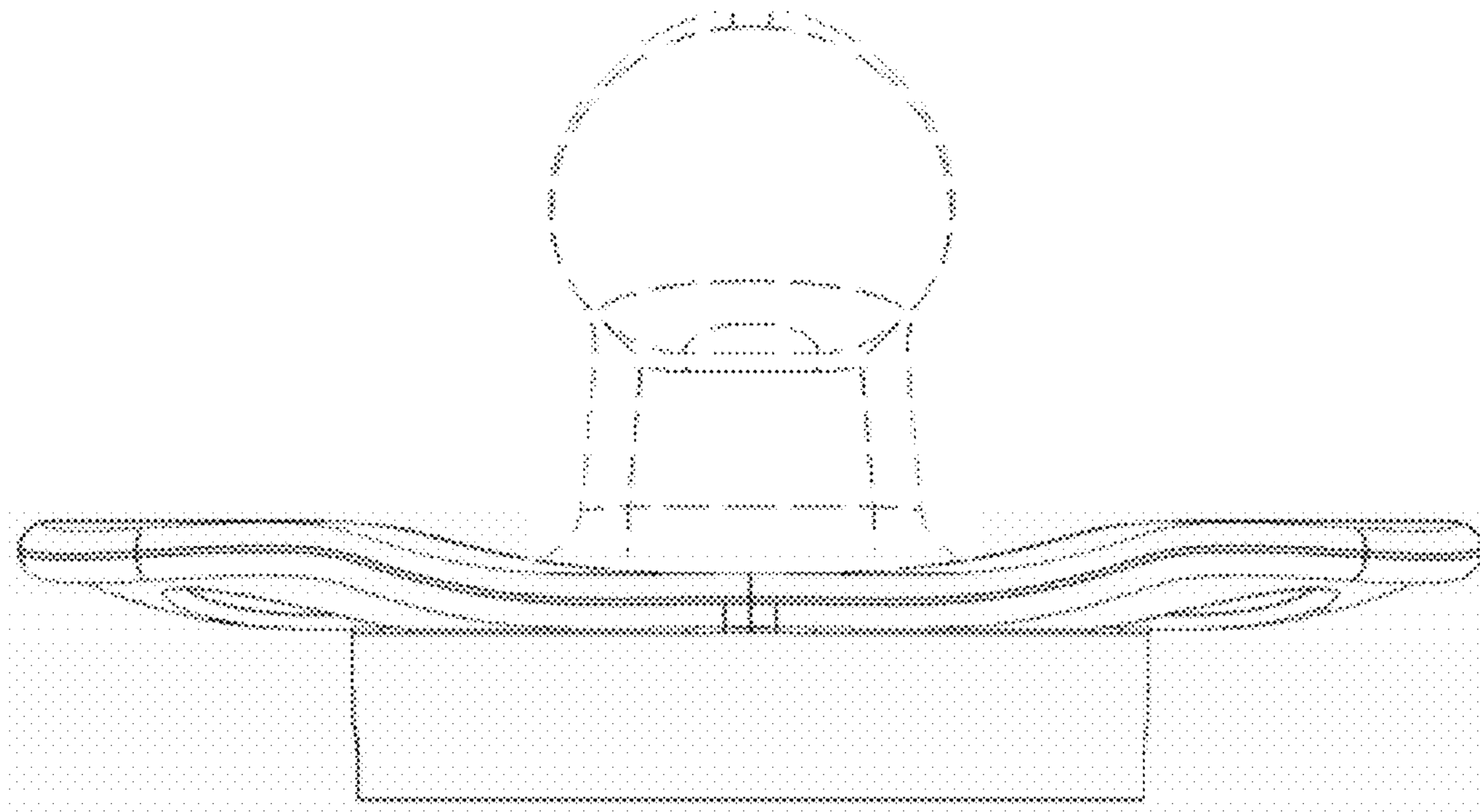


FIG. 6

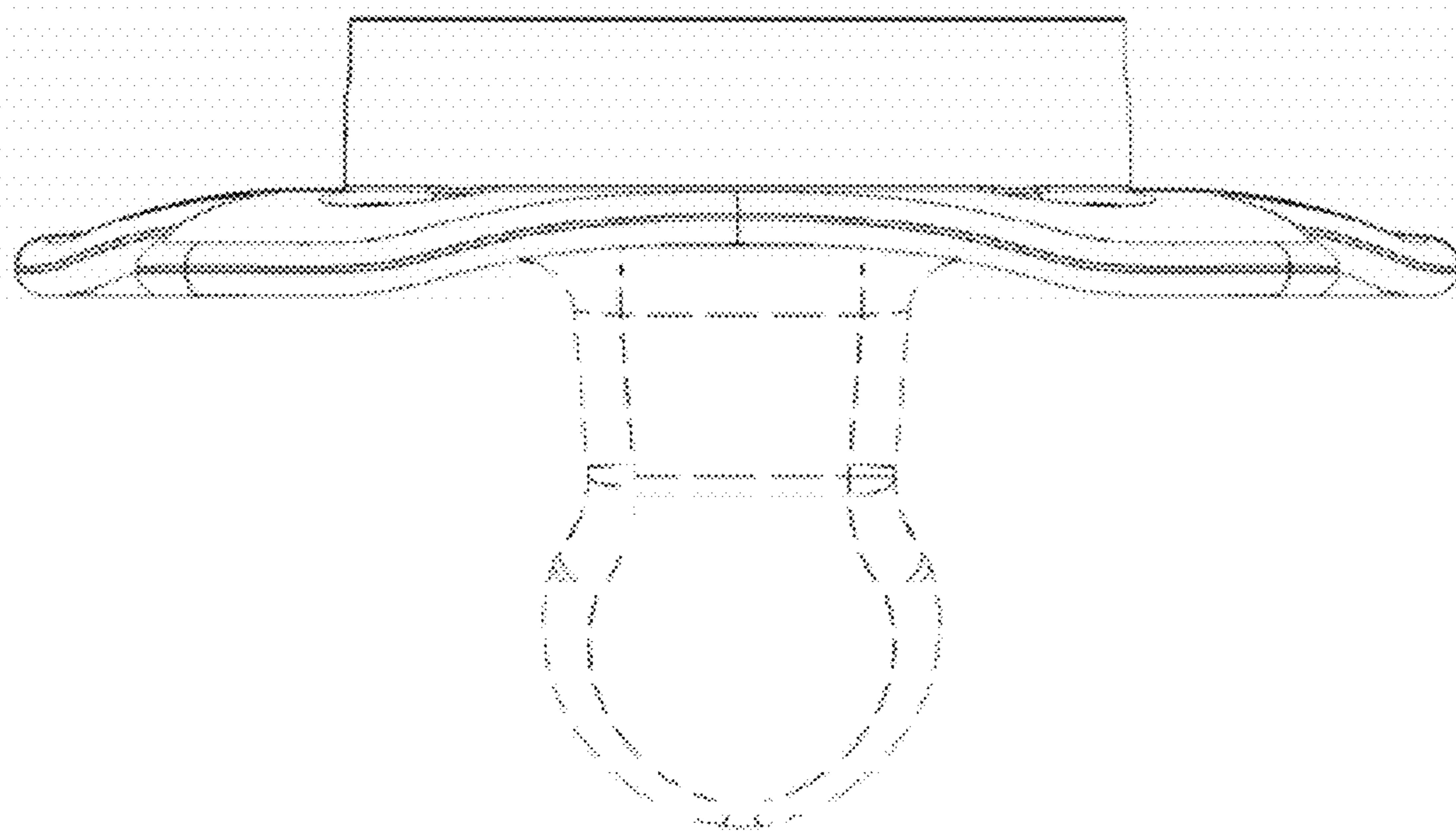


FIG. 7