

US00D662598S

(12) **United States Design Patent**
Anderson et al.

(10) **Patent No.:** **US D662,598 S**
(45) **Date of Patent:** **** Jun. 26, 2012**

(54) **ORTHOPEdic BOOT**

(75) Inventors: **Gregory S. Anderson**, Sandy, UT (US);
Kade E. Huntsman, Holladay, UT (US);
Dale C. Gledhill, Sandy, UT (US);
Douglas R. Burrell, Springville, UT
(US); **David Xiao**, Hangzhou (CN)

(73) Assignee: **Gregory S. Anderson**, Sandy, UT (US)

(**) Term: **14 Years**

(21) Appl. No.: **29/400,090**

(22) Filed: **Aug. 23, 2011**

Related U.S. Application Data

(63) Continuation-in-part of application No. 29/376,429,
filed on Oct. 6, 2010, now Pat. No. Des. 645,153,
which is a continuation-in-part of application No.
12/502,998, filed on Jul. 14, 2009.

(51) **LOC (9) Cl.** **24-01**

(52) **U.S. Cl.** **D24/192**

(58) **Field of Classification Search** D24/190,
D24/192; 602/2, 5, 14, 16, 22-23, 27-29,
602/64-65; D2/946-947, 953-954, 957,
D2/960; 36/88-89, 110; 128/882

See application file for complete search history.

(56) **References Cited**

U.S. PATENT DOCUMENTS

4,494,534	A *	1/1985	Hutson	602/16
4,517,968	A *	5/1985	Greene et al.	602/27
4,771,768	A *	9/1988	Crispin	602/16
4,962,760	A *	10/1990	Jones	602/27
D345,421	S *	3/1994	Schumann et al.	D24/192
5,352,189	A *	10/1994	Schumann et al.	602/23
5,464,385	A *	11/1995	Grim	602/27

6,485,447	B1 *	11/2002	Lavery et al.	602/23
6,648,843	B1 *	11/2003	Marciano et al.	602/27
6,991,613	B2 *	1/2006	Sensabaugh	602/27
D519,211	S *	4/2006	Doty et al.	D24/192
7,192,408	B2 *	3/2007	Win	602/16
7,597,674	B2 *	10/2009	Hu et al.	602/23
7,618,388	B1 *	11/2009	Chan	602/23
7,666,157	B2 *	2/2010	Win	602/23
D619,726	S *	7/2010	Win	D24/192
D640,791	S *	6/2011	Anderson et al.	D24/192
D640,792	S *	6/2011	Anderson et al.	D24/192
D641,084	S *	7/2011	Anderson et al.	D24/192
D641,085	S *	7/2011	Anderson et al.	D24/192
D642,695	S *	8/2011	Anderson et al.	D24/192
D645,153	S *	9/2011	Anderson et al.	D24/192
8,012,112	B2 *	9/2011	Barberio	602/14
8,021,317	B2 *	9/2011	Arnold et al.	602/28
2003/0196352	A1 *	10/2003	Bledsoe et al.	36/110

* cited by examiner

Primary Examiner — Susan E Krakower

(57) **CLAIM**

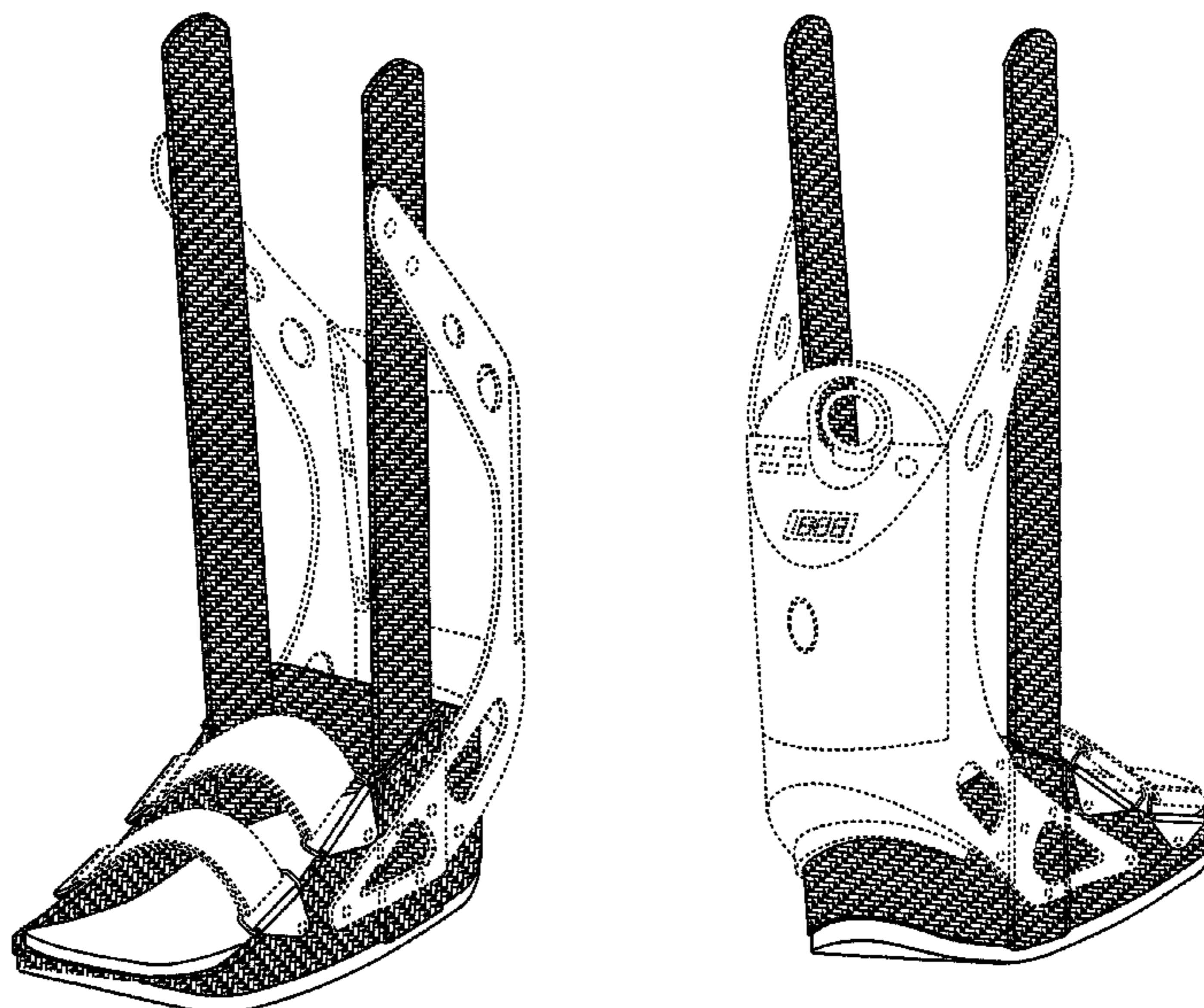
The ornamental design for a orthopedic boot, as shown and described.

DESCRIPTION

FIG. 1 is frontal isometric view of an orthopedic boot in accordance with our new design;
FIG. 2 is a rear isometric view thereof;
FIG. 3 is frontal elevation view thereof;
FIG. 4 is rear elevation view thereof;
FIG. 5 is right side elevation view thereof;
FIG. 6 is left side elevation view thereof;
FIG. 7 is top plan view thereof; and,
FIG. 8 is bottom plan view thereof.

The broken lines illustrate portions of an orthopedic boot which form no part of the claimed design.

1 Claim, 6 Drawing Sheets



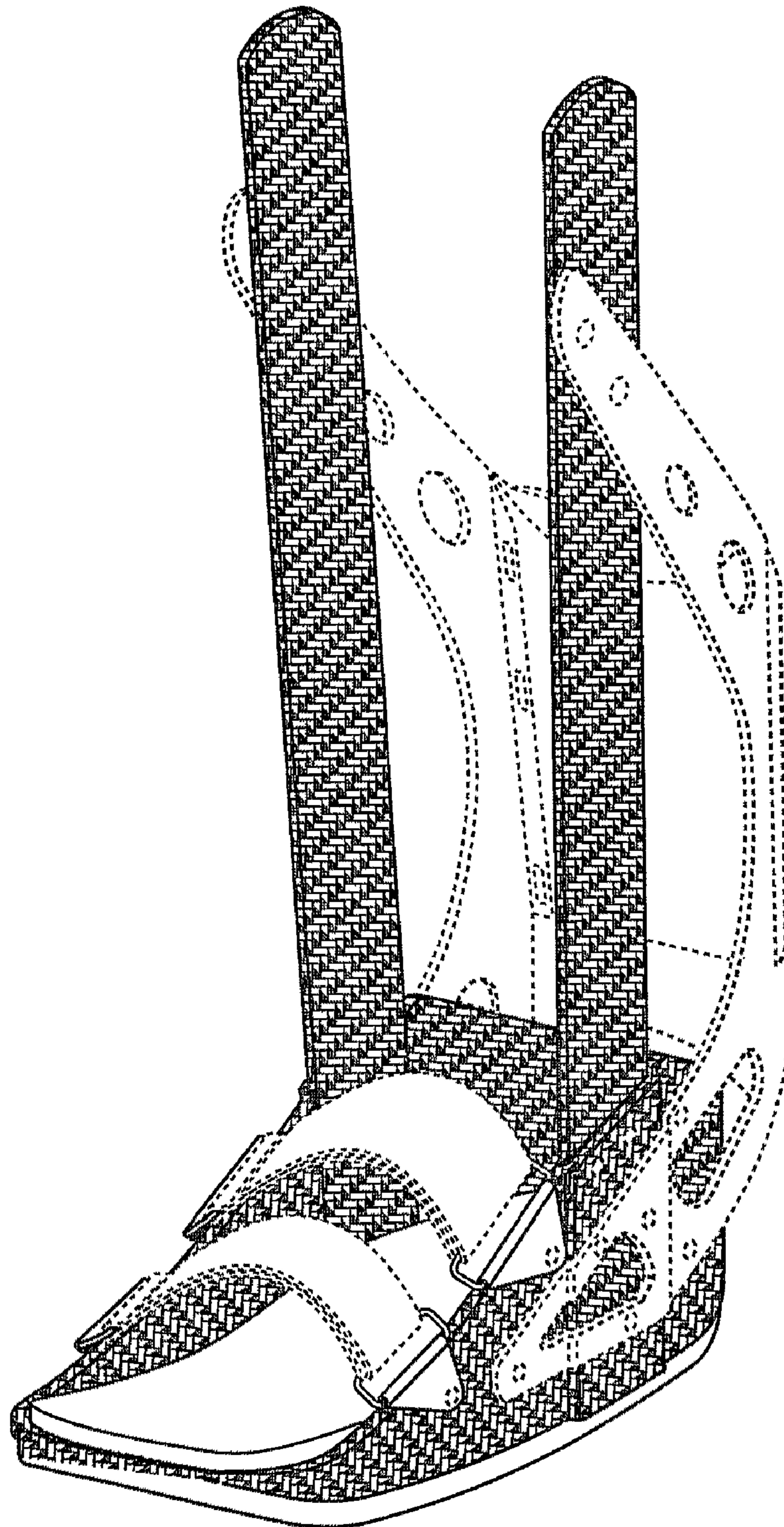


FIG. 1

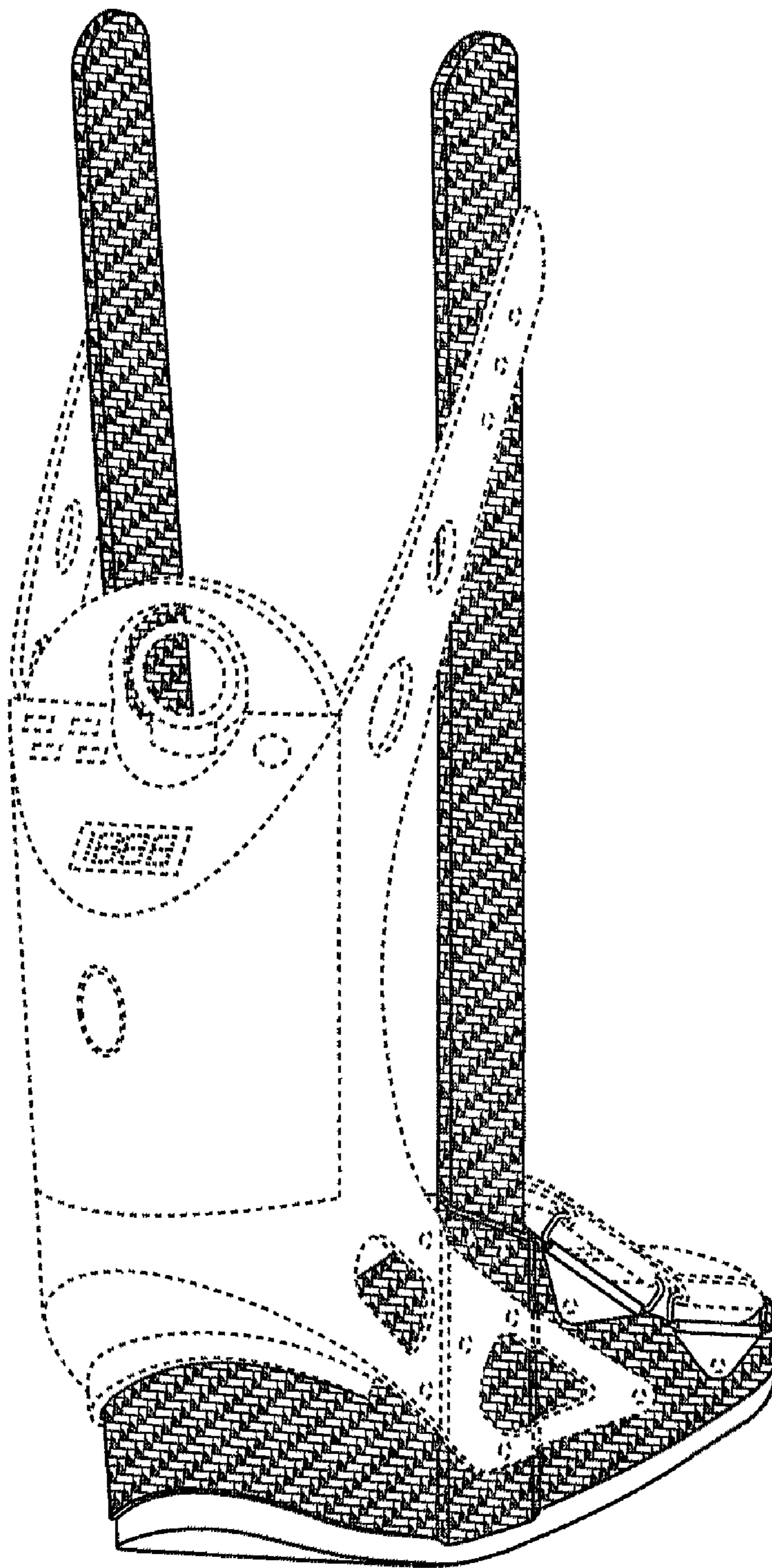


FIG. 2

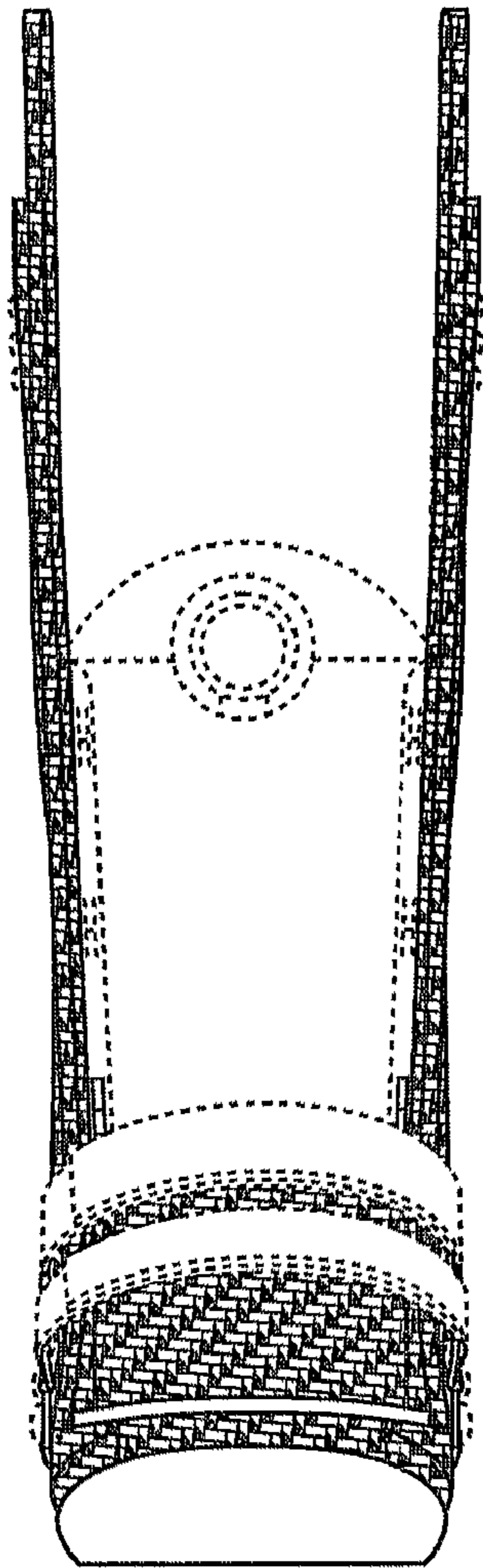


FIG. 3

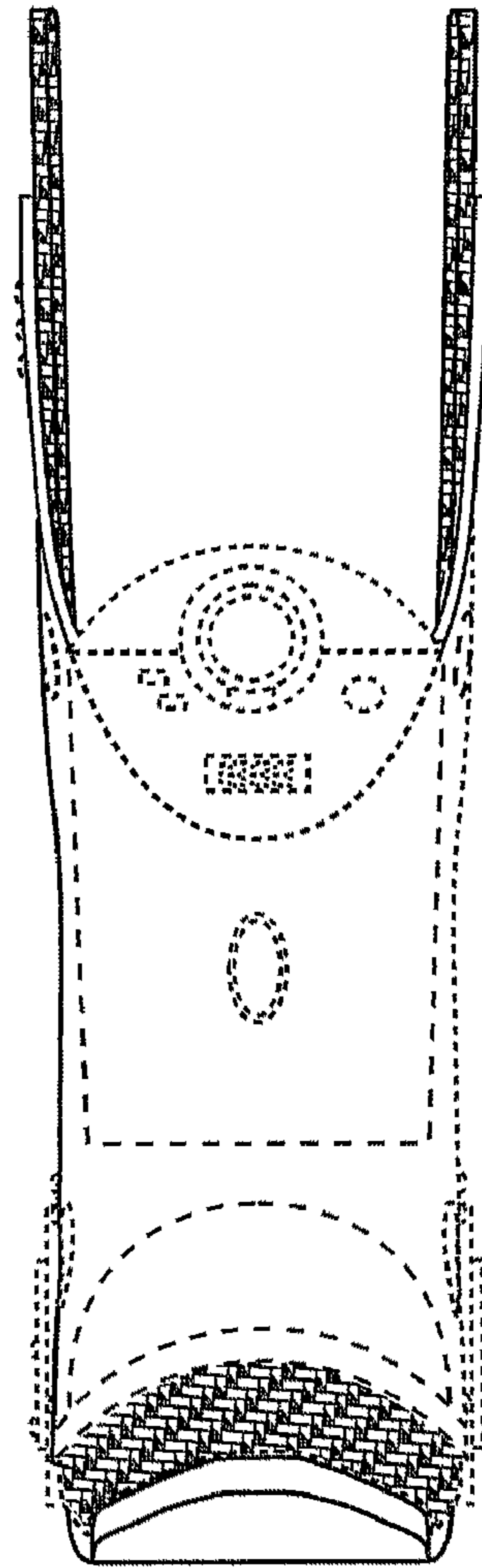


FIG. 4

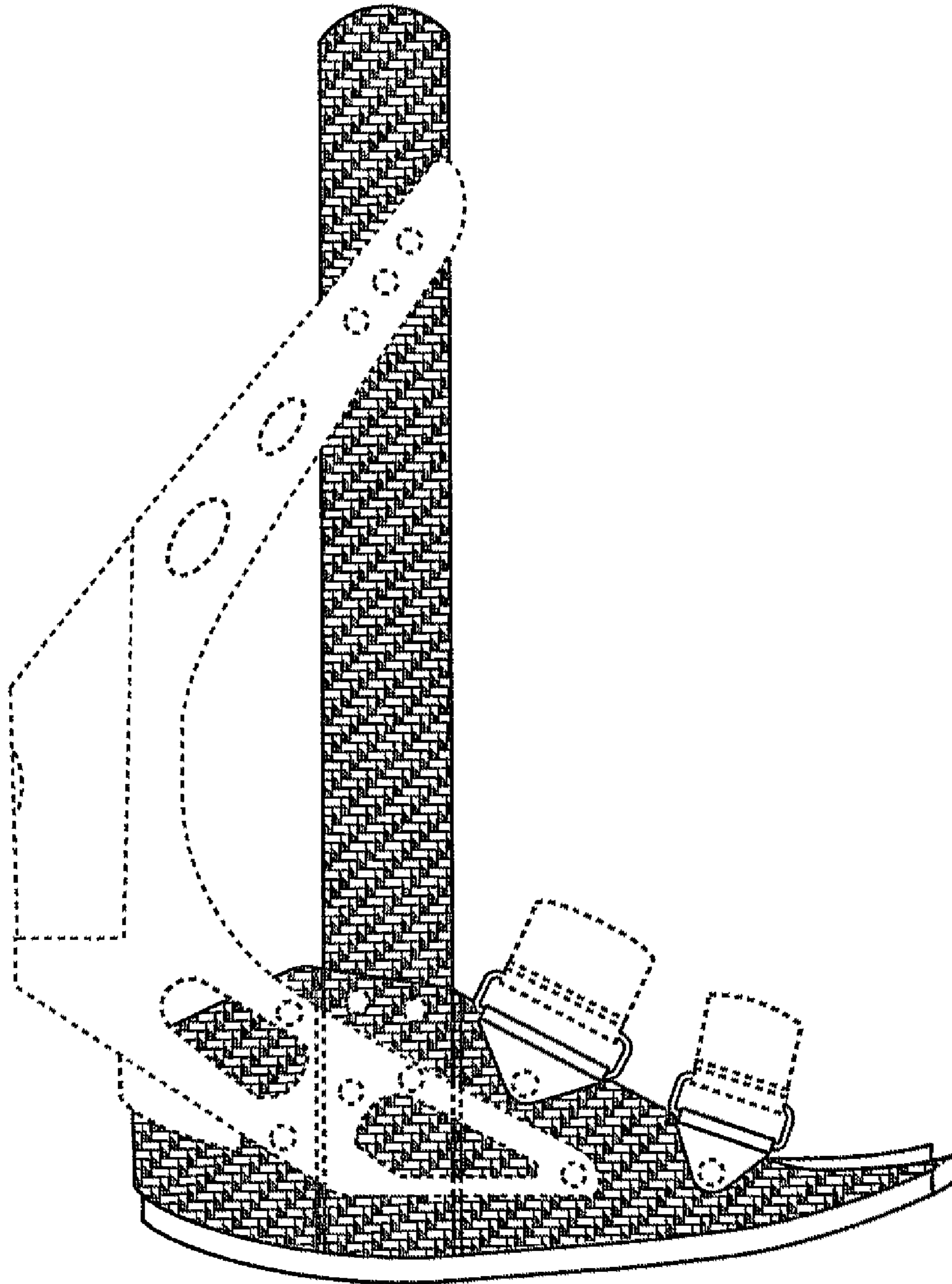


FIG. 5

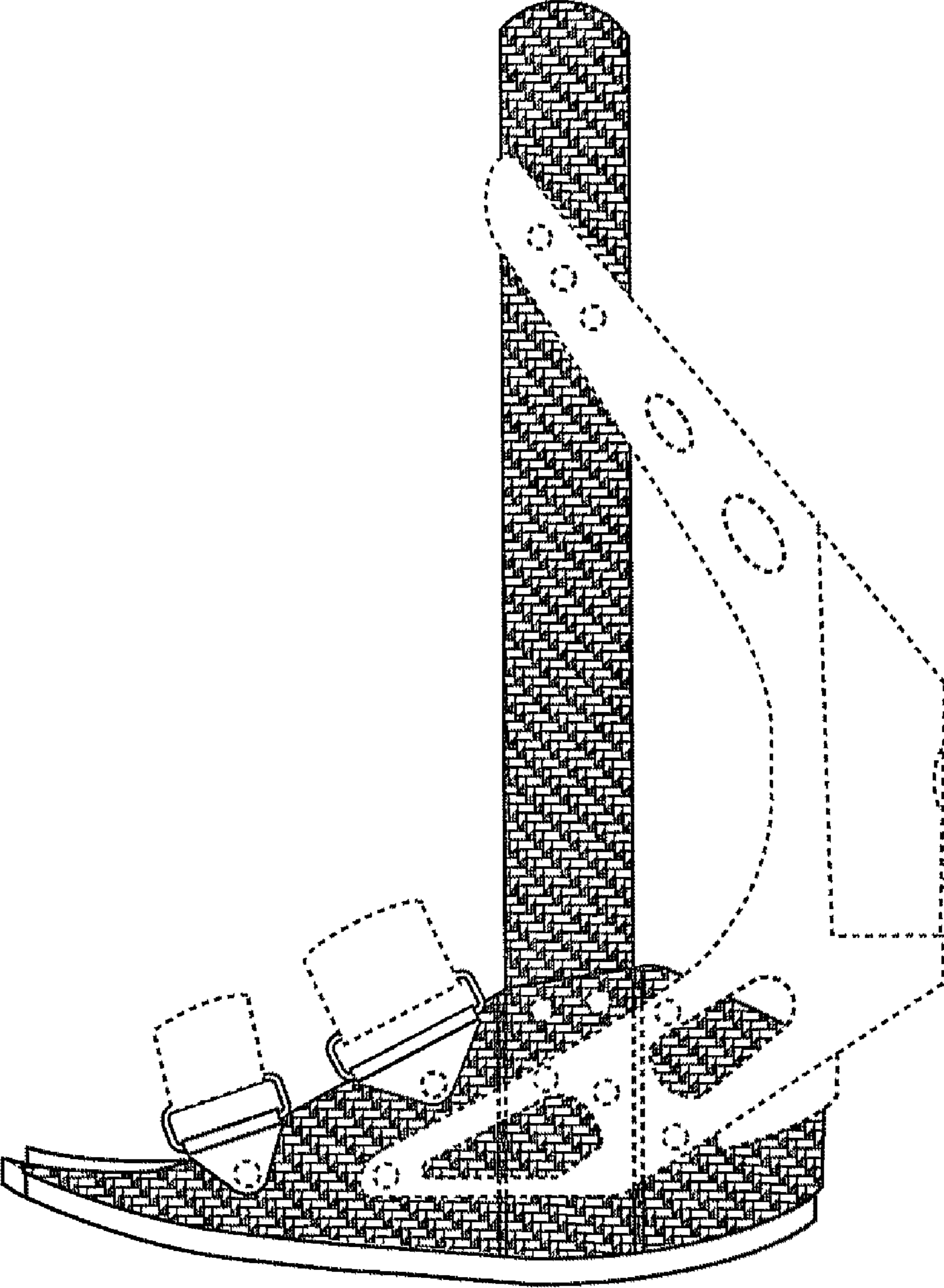


FIG. 6

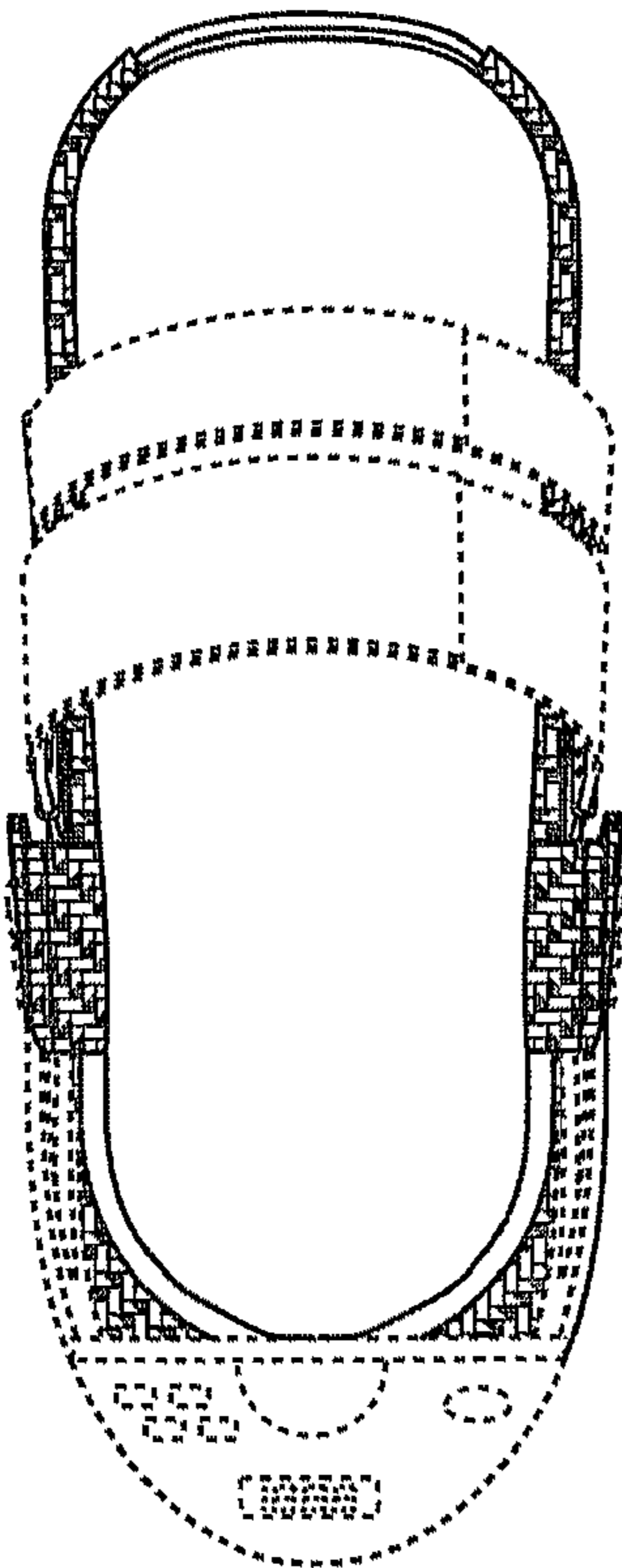


FIG. 7

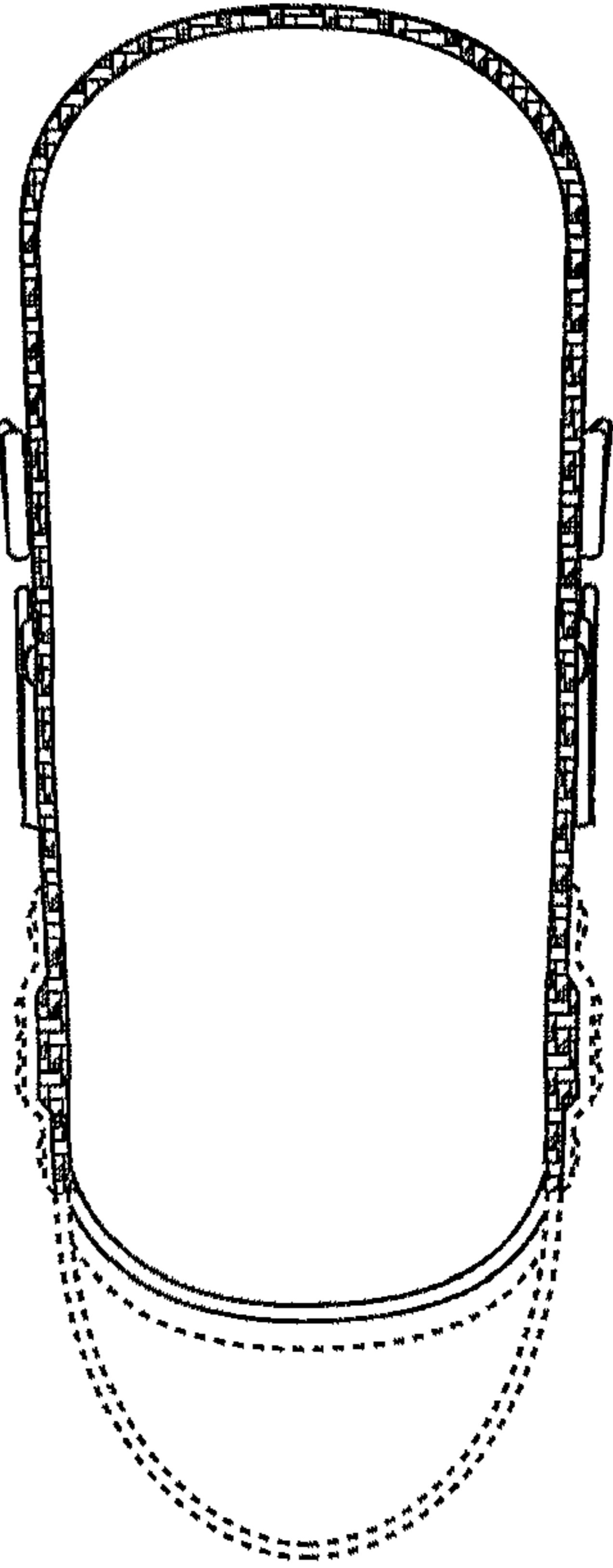


FIG. 8