



US00D662595S

(12) **United States Design Patent**
Swanek

(10) **Patent No.:** **US D662,595 S**
(45) **Date of Patent:** **** Jun. 26, 2012**

(54) **SANITIZING STATION**

(76) Inventor: **Rosemary Swanek**, Toronto (CA)

(**) Term: **14 Years**

(21) Appl. No.: **29/410,133**

(22) Filed: **Jan. 4, 2012**

Related U.S. Application Data

(62) Division of application No. 29/346,546, filed on Nov. 2, 2009, now Pat. No. Des. 654,175.

(51) **LOC (9) Cl.** **24-01**

(52) **U.S. Cl.** **D24/185**

(58) **Field of Classification Search** D24/185,
D24/217, 232, 234; 221/105, 173, 180, 181.1,
221/181.2, 181.3, 1; D10/2; D6/515, 542-545,
D6/522; 222/173-174; D23/234, 270, 271;
312/249.11

See application file for complete search history.

(56) **References Cited**

U.S. PATENT DOCUMENTS

D273,062 S *	3/1984	Richardson	D6/545
D274,024 S *	5/1984	Vignot	D6/545
D279,530 S *	7/1985	vonBuelow	D6/545
D283,573 S *	4/1986	Bernard	D6/522
D285,271 S *	8/1986	Bunschoten et al.	D6/545
D285,272 S *	8/1986	Bunschoten et al.	D6/545
D310,924 S *	10/1990	Breger	D6/542
D341,974 S *	12/1993	Killoy	D6/545
D343,751 S *	2/1994	Bell et al.	D6/545
D344,830 S *	3/1994	Carter et al.	D23/271
D345,664 S *	4/1994	Brandenburg	D6/545
D345,877 S *	4/1994	Brandenburg	D6/545
D372,613 S *	8/1996	Nixon, II	D6/545
D379,728 S *	6/1997	Simon	D6/545

D386,027 S *	11/1997	Cameron et al.	D6/545
D388,990 S *	1/1998	Brandenburg et al.	D6/545
D426,094 S *	6/2000	Carlson	D6/545
D475,873 S *	6/2003	Mello	D6/515
D530,125 S *	10/2006	Vignot	D6/545
D544,071 S *	6/2007	Teuscher et al.	D23/234
D620,292 S *	7/2010	Kim	D6/545
D632,765 S *	2/2011	Stob et al.	D23/270
D634,143 S *	3/2011	Burkett	D6/545
2003/0197026 A1 *	10/2003	Ashe	222/174
2010/0163569 A1 *	7/2010	Parker	221/1
2011/0018412 A1 *	1/2011	Swanek	312/249.11
2011/0132931 A1 *	6/2011	Wright	222/173

* cited by examiner

Primary Examiner — T. Chase Nelson

Assistant Examiner — Mark Cavanna

(74) *Attorney, Agent, or Firm* — Smith Risley Tempel Santos LLC; Gregory Scott Smith

(57) **CLAIM**

The ornamental design for a sanitizing station, as shown and described.

DESCRIPTION

FIG. 1 is a perspective view of a first embodiment of a sanitizing station;

FIG. 2 is a front elevation view of the sanitizing station of FIG. 1;

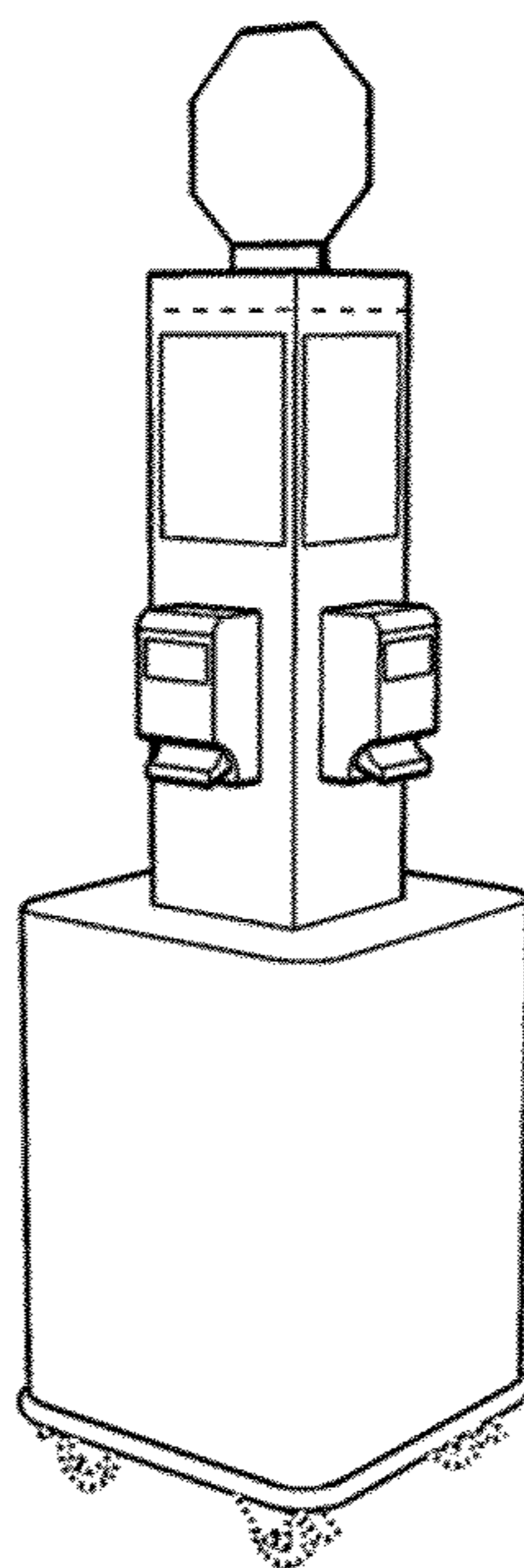
FIG. 3 is a side elevation view of the sanitizing station of FIG. 1;

FIG. 4 is a top plan view of the sanitizing station of FIG. 1; and,

FIG. 5 is a bottom plan view of the sanitizing station of FIG. 1.

The broken lines shown herein are for illustrative purposes only and form no part of the claimed design.

1 Claim, 5 Drawing Sheets



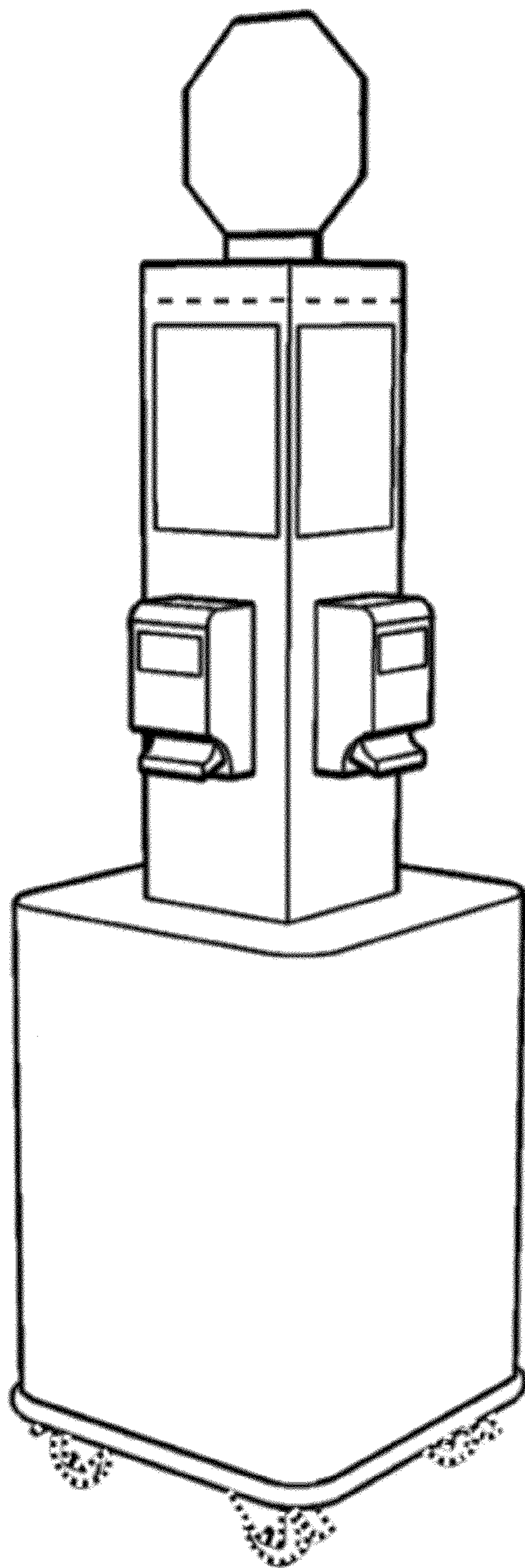


FIG. 1

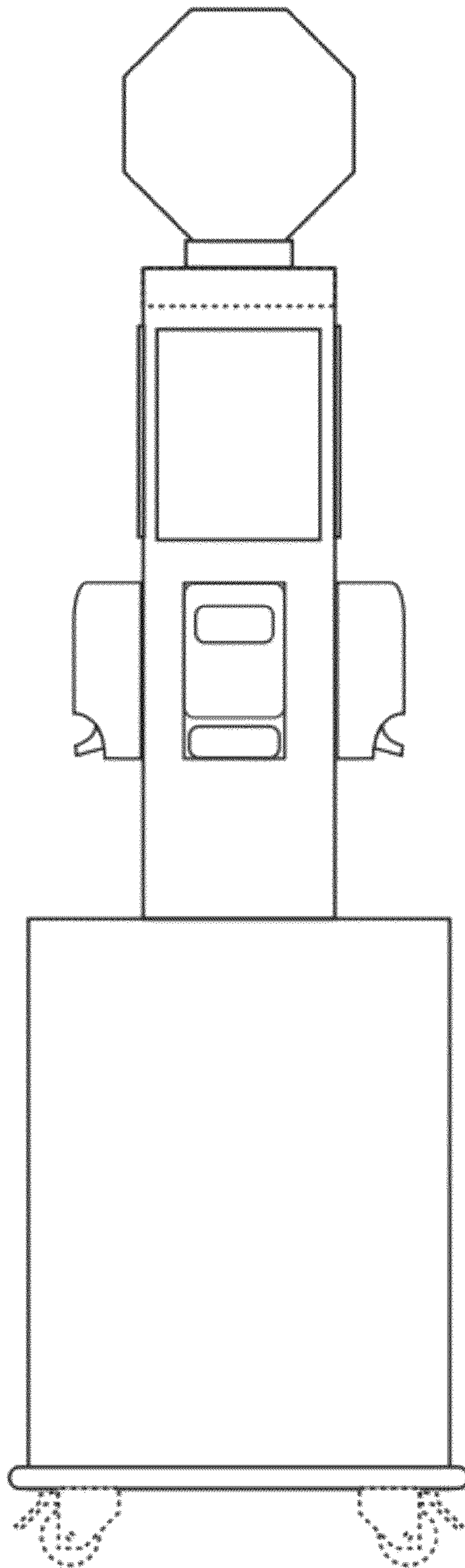


FIG. 2

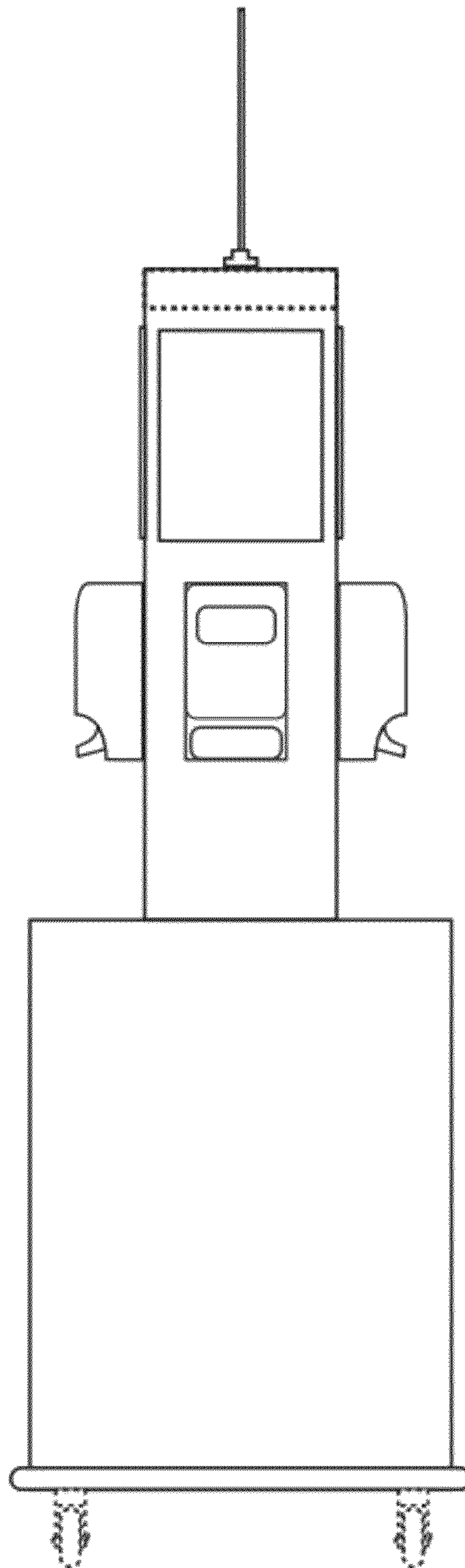


FIG. 3

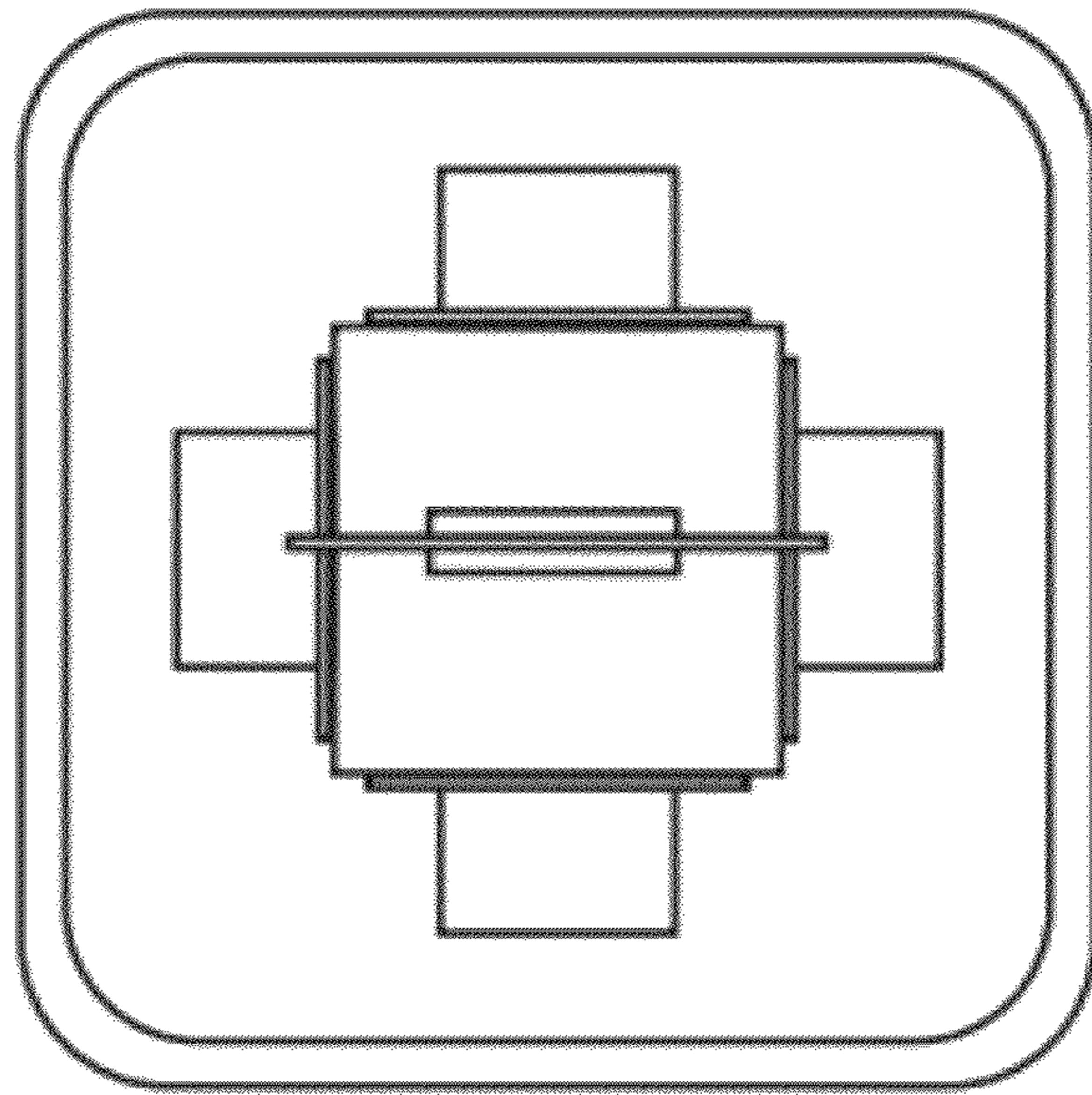


FIG. 4

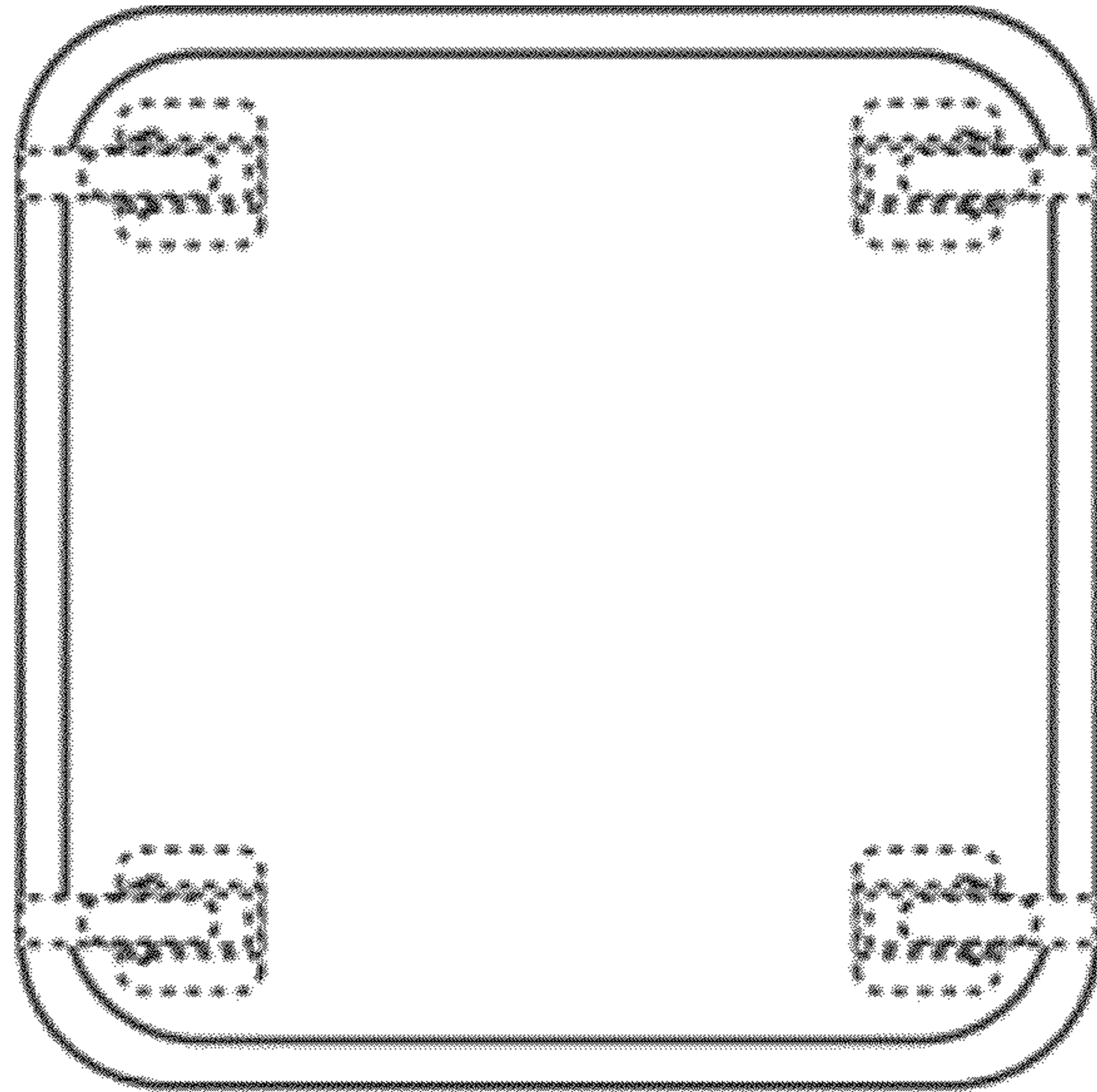


FIG. 5