

US00D662588S

(12) **United States Design Patent**  
**Davies et al.**

(10) **Patent No.:** **US D662,588 S**  
(45) **Date of Patent:** **\*\* Jun. 26, 2012**

(54) **ELECTROSURGICAL DEVICE HANDLE**

(75) Inventors: **Gareth Davies**, Toronto (CA); **Ellen Harfield**, Mississauga (CA); **Mahmood Mirza**, North York (CA)

(73) Assignee: **Baylis Medical Company Inc.**, Montreal (CA)

(\*\*) Term: **14 Years**

(21) Appl. No.: **29/394,865**

(22) Filed: **Jun. 22, 2011**

(51) **LOC (9) Cl.** ..... **24-02**

(52) **U.S. Cl.** ..... **D24/144**

(58) **Field of Classification Search** ..... D24/133,  
D24/138, 140, 144, 146-147; 606/37, 40-41,  
606/34, 42-46, 48-50

See application file for complete search history.

(56) **References Cited**

**U.S. PATENT DOCUMENTS**

703,369	A *	7/1902	Batcheller	606/49
D433,752	S *	11/2000	Saravia	D24/144
D457,628	S *	5/2002	Eggers et al.	D24/144
D457,960	S *	5/2002	Eggers et al.	D24/144
6,610,054	B1 *	8/2003	Edwards et al.	606/41
D549,327	S	8/2007	Aparici et al.	
7,534,242	B2 *	5/2009	Buehlmann et al.	606/41
7,846,159	B2 *	12/2010	Morrison et al.	606/45

**OTHER PUBLICATIONS**

Transseptal Needles. TZ Medical, 2011 [retrieved on Sep. 12, 2011]. Retrieved from the Internet: <URL:http://www.tzmedical.com/product.php?product\_id=34>.

\* cited by examiner

*Primary Examiner* — Wan Laymon

(74) *Attorney, Agent, or Firm* — Nir Lifshitz; Glenn Arnold

(57) **CLAIM**

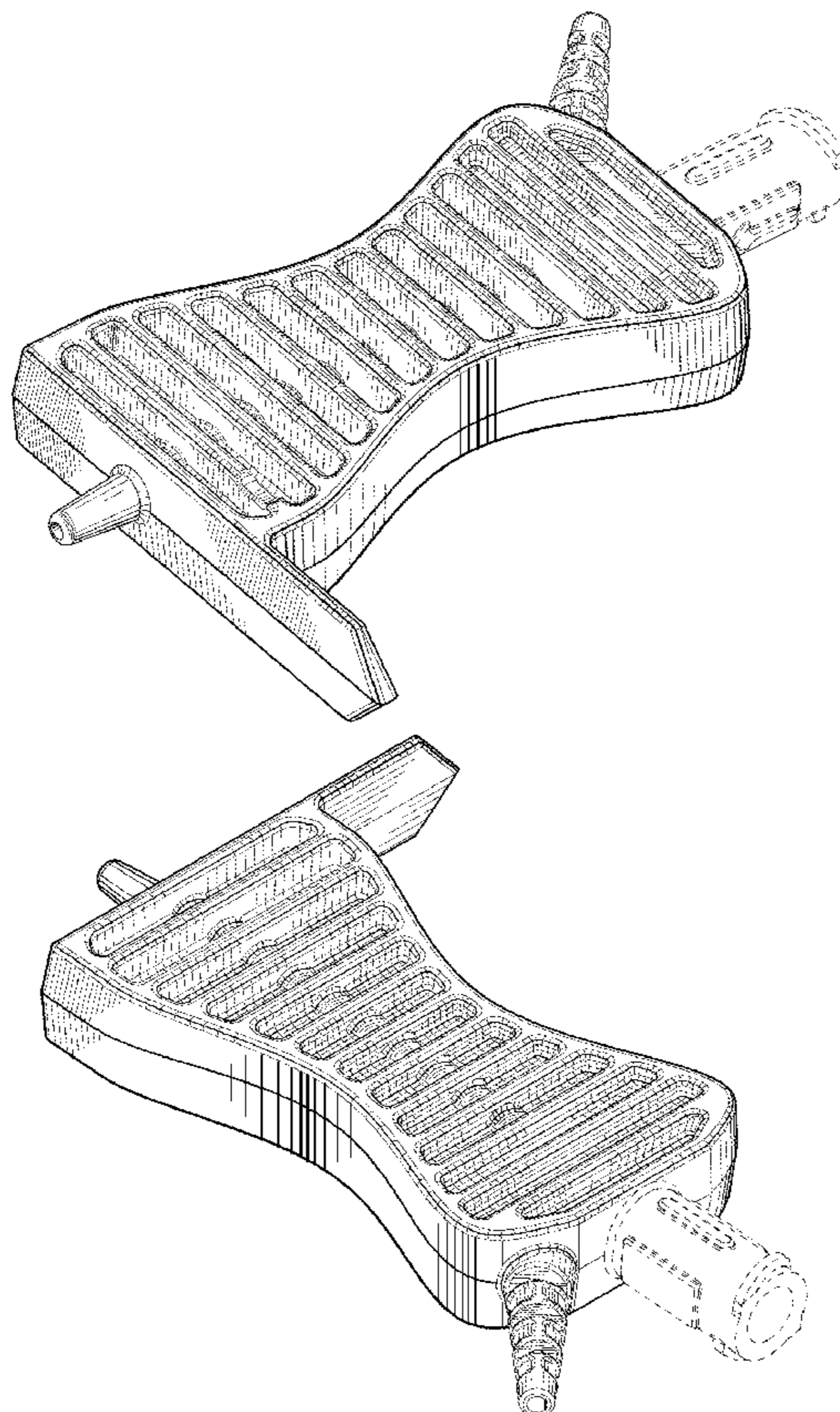
The ornamental design for an electrosurgical device handle, as shown and described.

**DESCRIPTION**

FIG. 1 is a front and top perspective view of an electrosurgical device handle showing our new design; FIG. 2 is an inverted, rear and bottom perspective view thereof; FIG. 3 is a top side view thereof; FIG. 4 is a bottom side view thereof; FIG. 5 is a left side view thereof; FIG. 6 is a right side view thereof; FIG. 7 is a rear side view thereof; and, FIG. 8 is a front side view thereof.

The broken lines shown in the figure drawings are included for illustrating environmental structure and form no part of the claimed design.

**1 Claim, 4 Drawing Sheets**



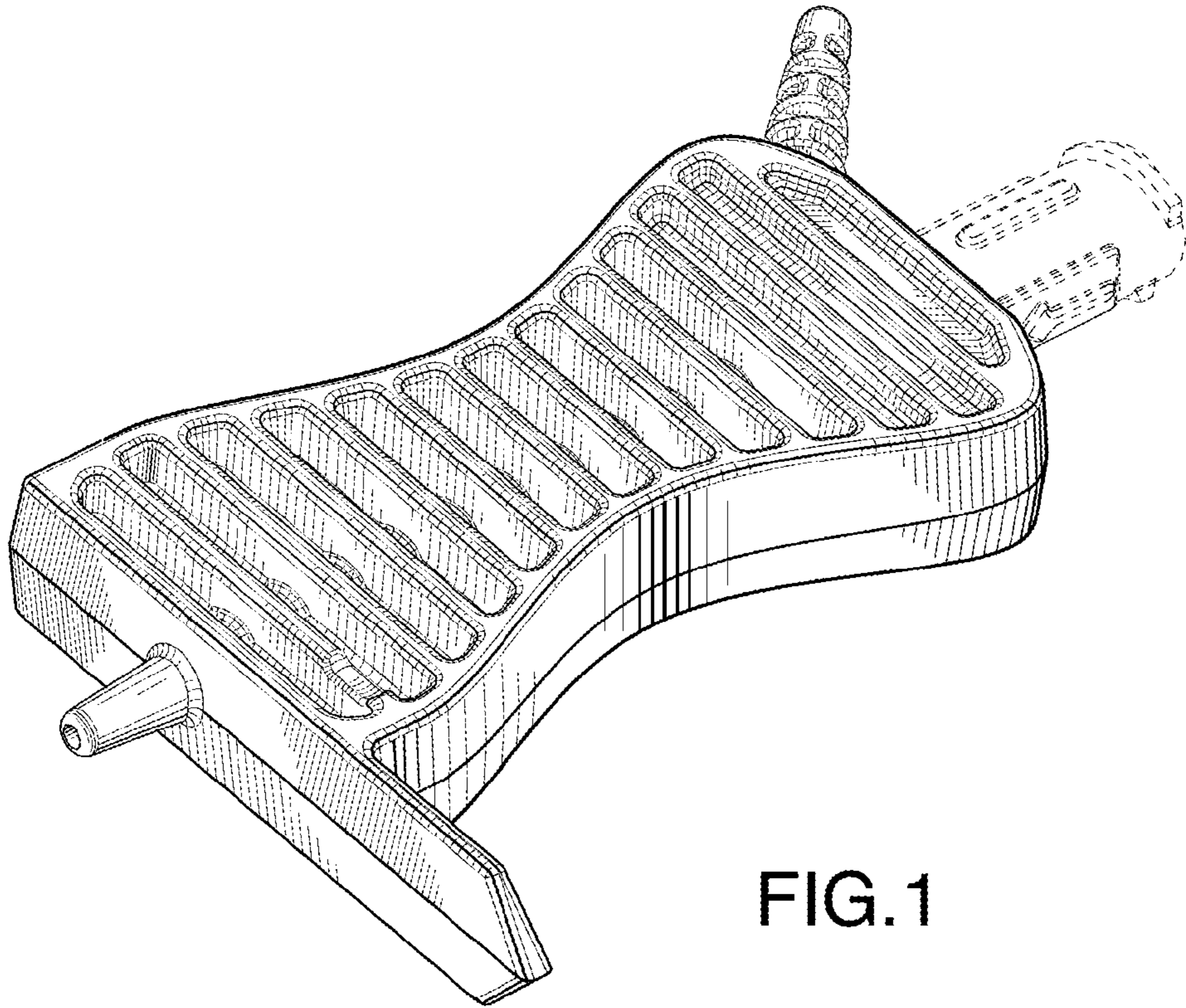


FIG. 1

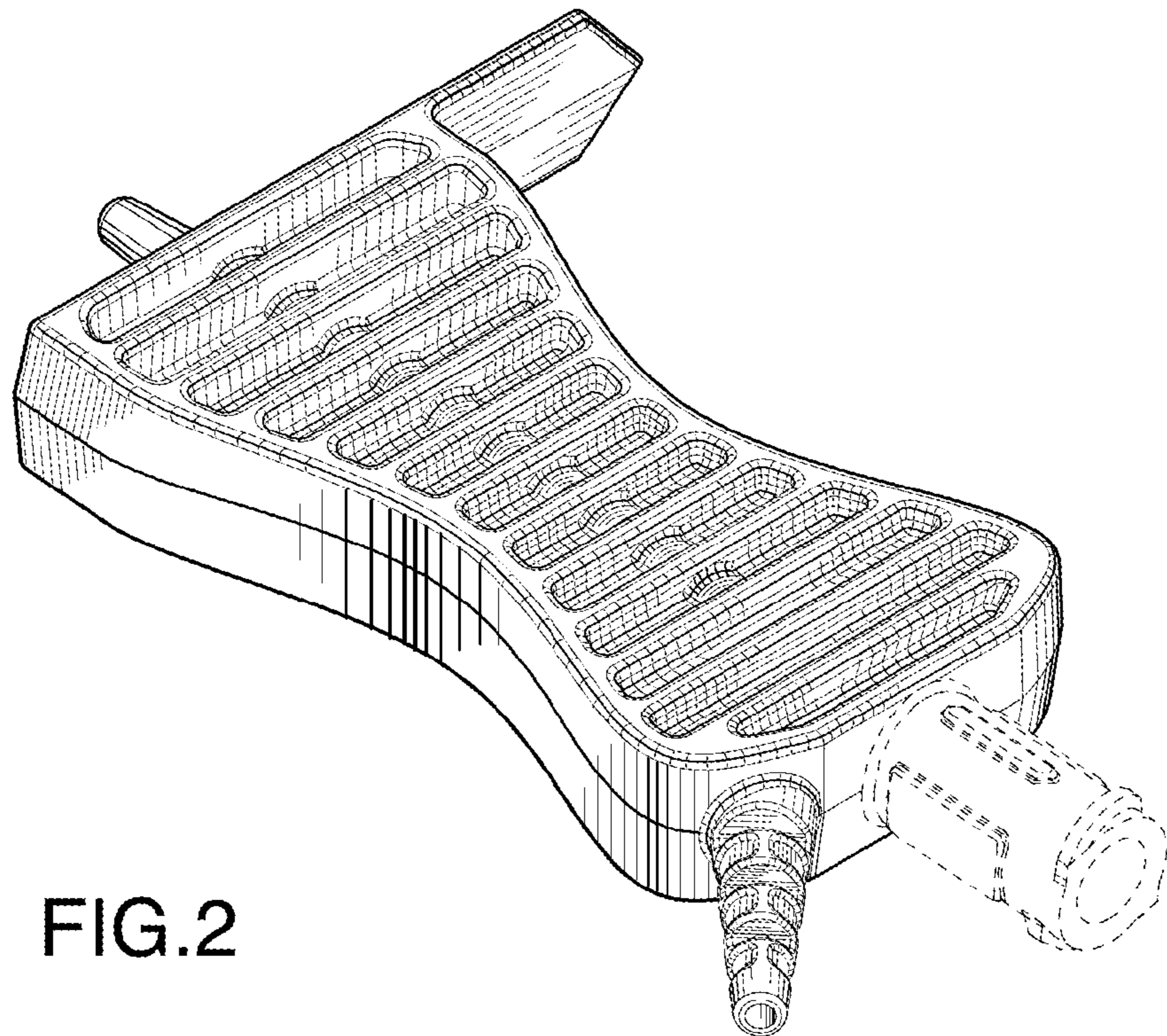


FIG. 2

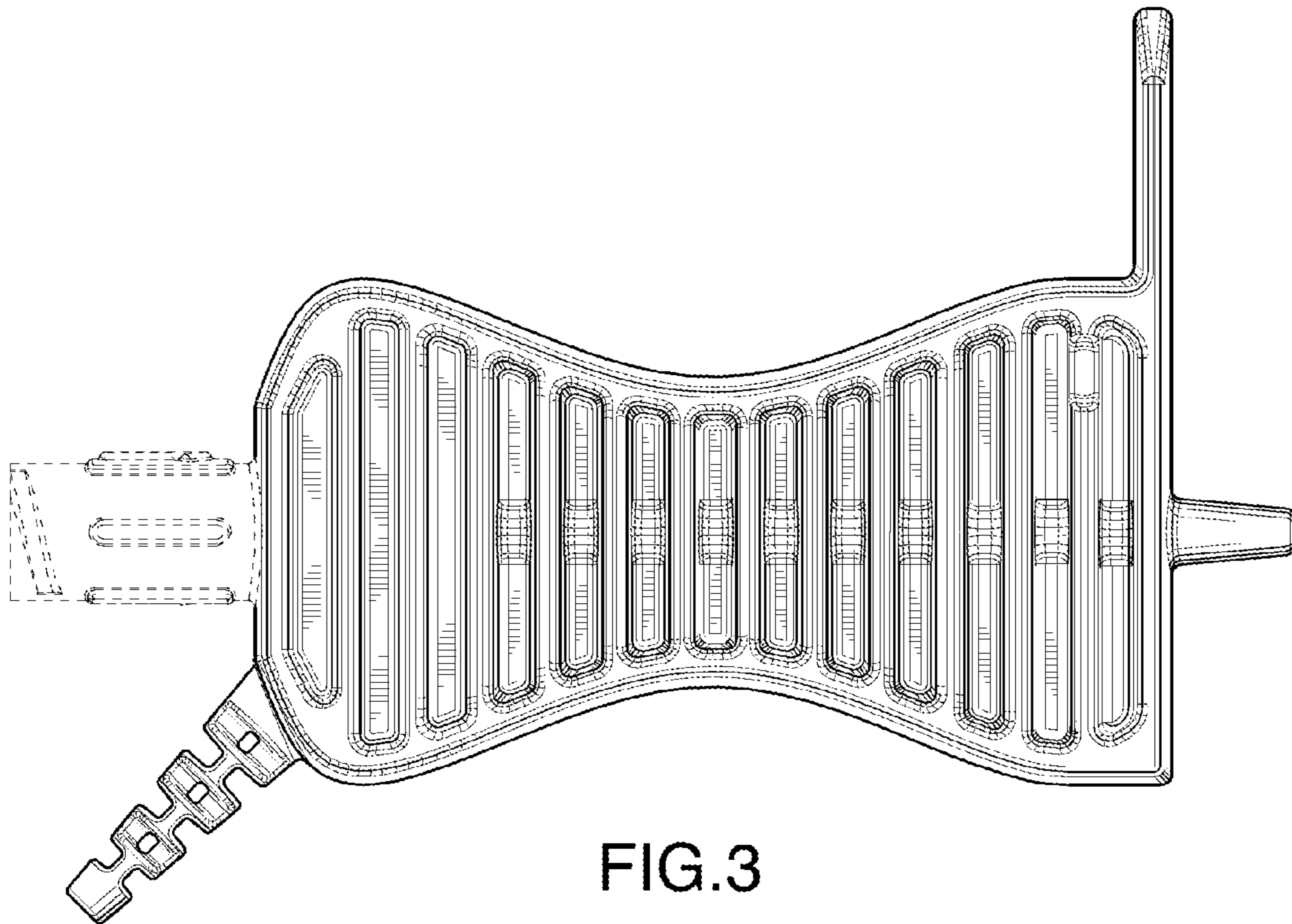


FIG. 3

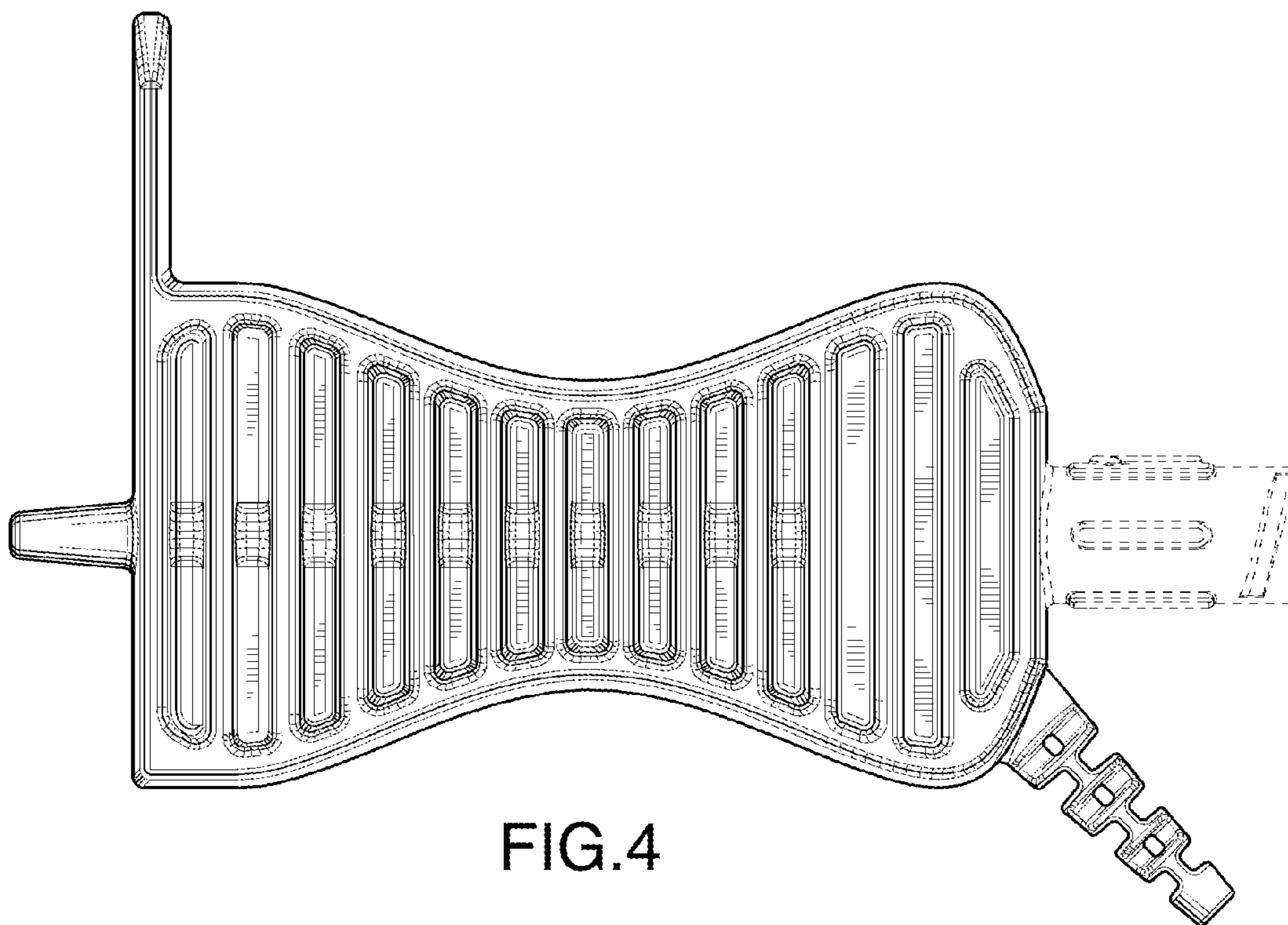


FIG. 4

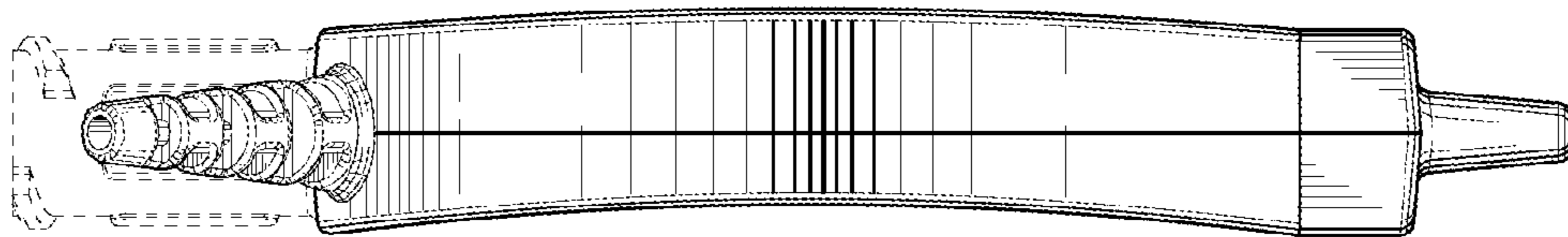


FIG. 5

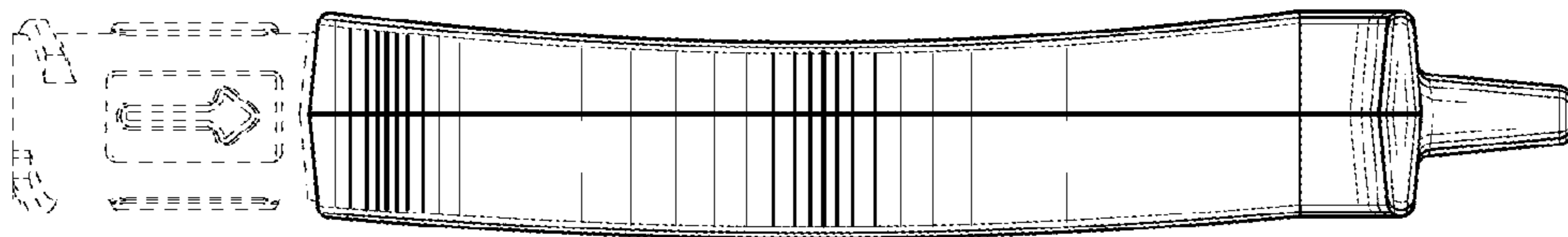


FIG. 6

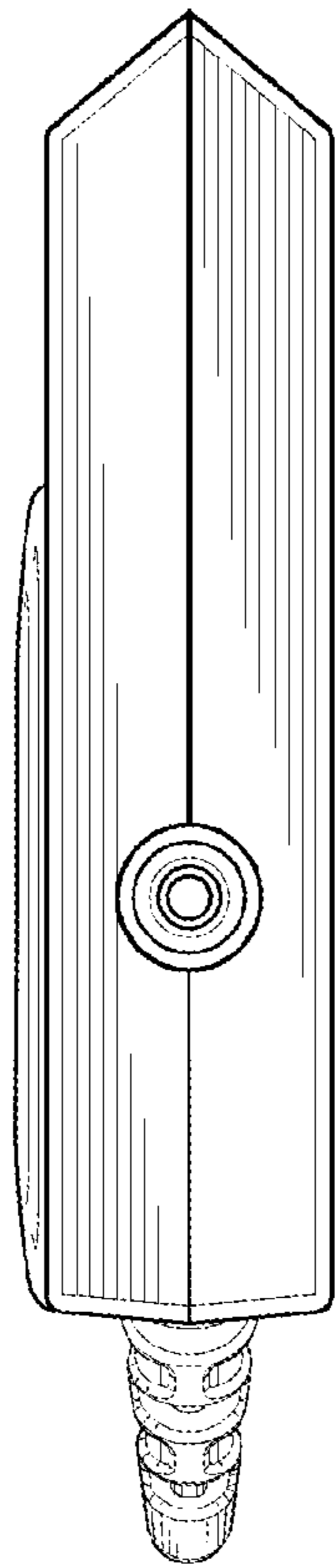


FIG. 8

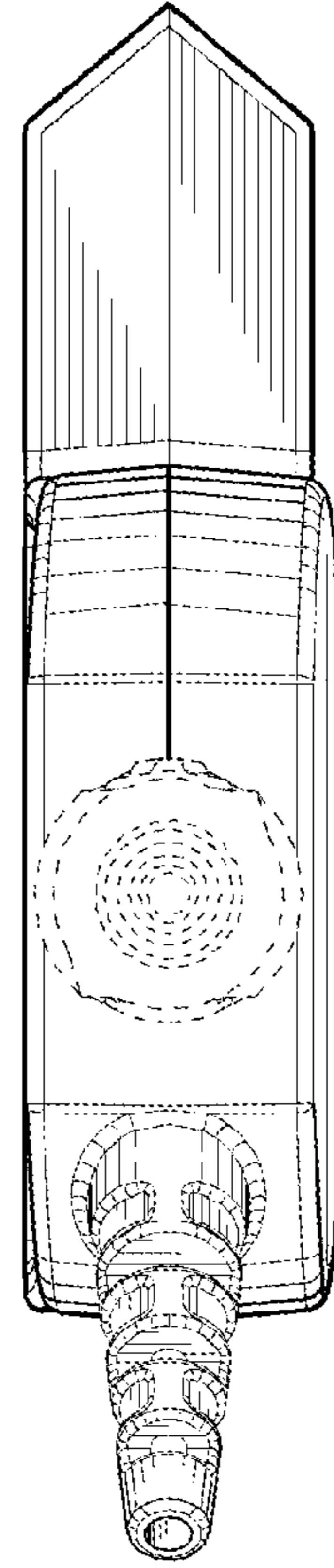


FIG. 7