

US00D662584S

(12) **United States Design Patent**
Browder

(10) **Patent No.:** **US D662,584 S**
(45) **Date of Patent:** **** Jun. 26, 2012**

(54) **COVER FOR LIGHT AND/OR FRAGRANCE
EMITTER**

(75) Inventor: **John Browder**, Argyle, TX (US)

(73) Assignee: **IDC Enchanted Lighting Company,
LLC**, Roanoke, TX (US)

(**) Term: **14 Years**

(21) Appl. No.: **29/407,414**

(22) Filed: **Nov. 29, 2011**

(51) **LOC (9) Cl.** **28-99**

(52) **U.S. Cl.** **D23/367**

(58) **Field of Classification Search** D23/355-369;
D28/5, 6; 261/DIG. 17, DIG. 42, DIG. 65,
261/DIG. 88, DIG. 89; 392/386, 390, 394,
392/395; 239/34, 44, 53, 55, 56, 326; D26/14,
D26/17, 98; D7/319

See application file for complete search history.

D448,466 S *	9/2001	Zaragoza et al.	D23/366
D451,750 S *	12/2001	Rissone et al.	D7/319
D453,041 S *	1/2002	Nelson	D23/367
D453,561 S *	2/2002	Nelson	D23/366
D454,190 S *	3/2002	Trocola	D23/366
D464,417 S *	10/2002	Nelson	D23/367
D498,970 S *	11/2004	Huang	D7/319
D509,893 S *	9/2005	Sevy	D23/366
D521,139 S *	5/2006	Wu	D23/366
D544,084 S *	6/2007	Michaels et al.	D23/366
D568,453 S *	5/2008	Wu	D23/366
D588,253 S *	3/2009	Hanna	D23/367
D637,275 S *	5/2011	Baraky	D23/366

* cited by examiner

Primary Examiner — Sandra Snapp

(74) *Attorney, Agent, or Firm* — Brian Harris

(57) **CLAIM**

The ornamental design for a cover for light and/or fragrance emitter, as shown and described.

DESCRIPTION

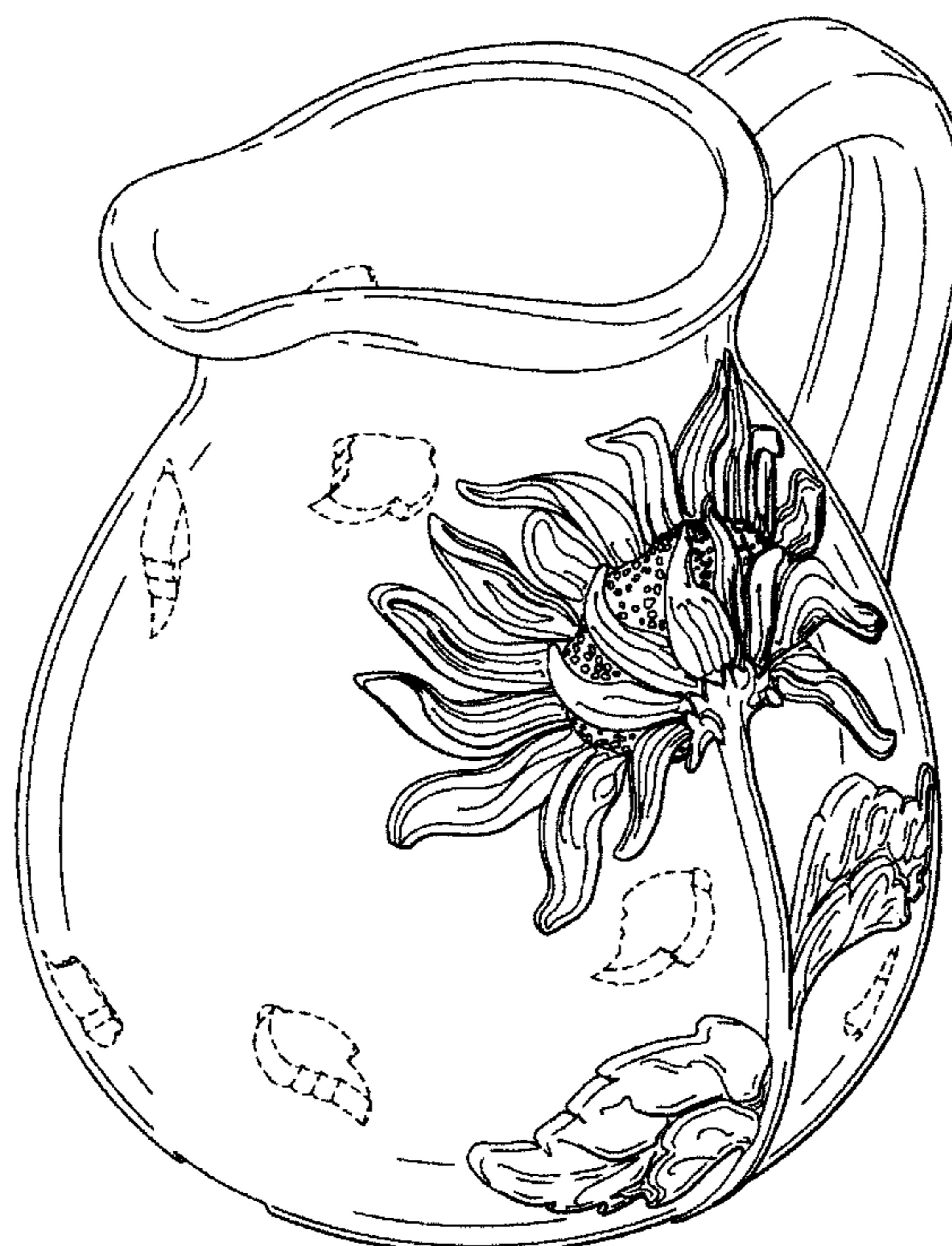
FIG. 1 is a perspective view of a cover for light and/or fragrance emitter showing my new design;
FIG. 2 is a front view thereof;
FIG. 3 is a back view thereof;
FIG. 4 is a left side view thereof;
FIG. 5 is a right side view thereof;
FIG. 6 is a top view thereof; and,
FIG. 7 is a bottom view thereof.
The broken lines shown in the drawings are for illustrative purposes only and form no part of the claimed design.

1 Claim, 7 Drawing Sheets

(56) **References Cited**

U.S. PATENT DOCUMENTS

D98,664 S *	2/1936	Edelman	D23/356
D149,252 S *	4/1948	Cobbs	D23/367
D164,933 S *	10/1951	Killebrew	D7/315
D197,770 S *	3/1964	Friedman	D23/367
D199,041 S *	9/1964	Kitterman	D9/600
D230,482 S *	2/1974	Levy	D23/367
D295,069 S *	4/1988	DiBernardo	D23/367
D300,811 S *	4/1989	Strafella	D23/367
D328,546 S *	8/1992	Unger	D7/317
D379,651 S *	6/1997	Rondeau	D23/367
D392,032 S *	3/1998	Zaragoza et al.	D23/369



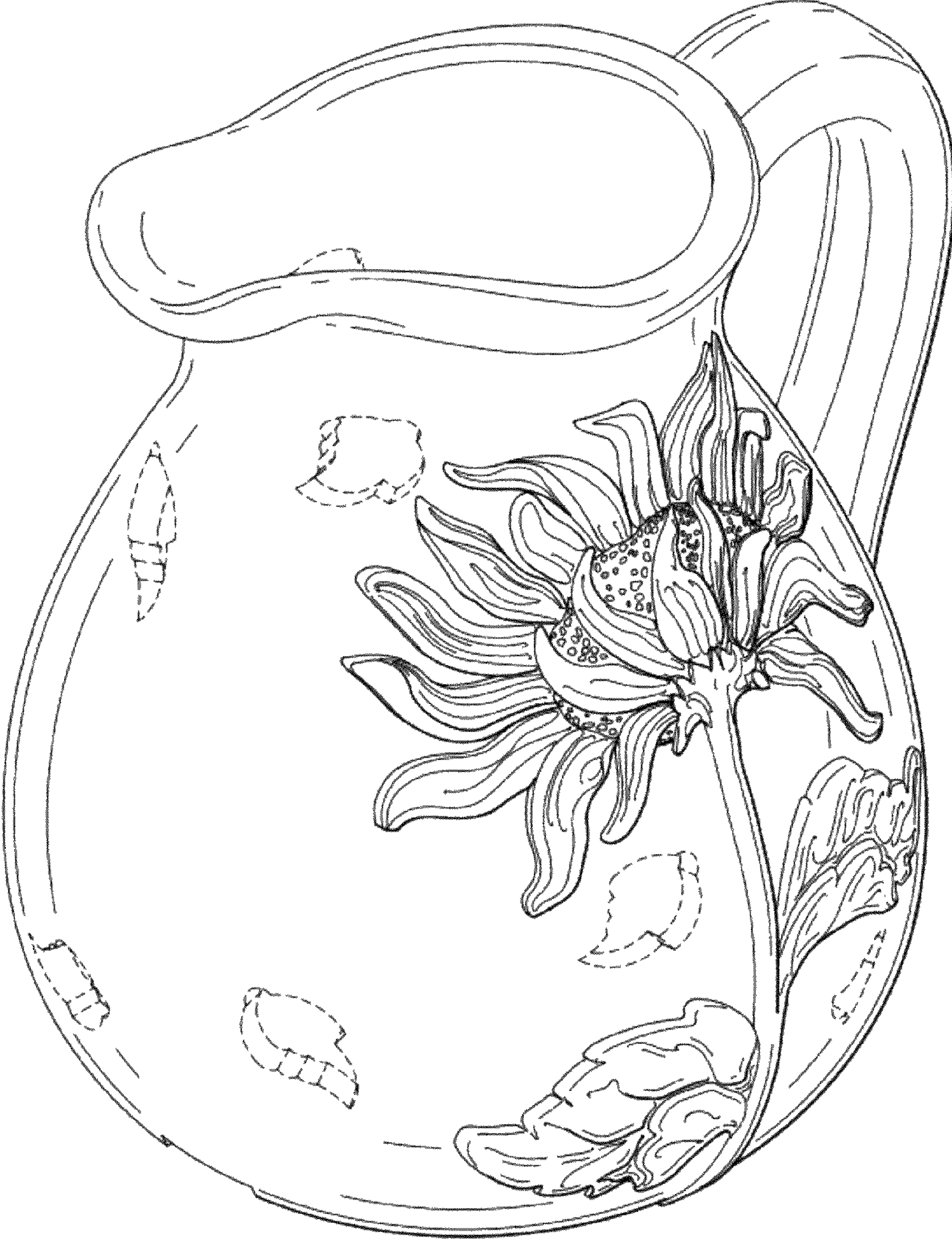


FIG. 1



FIG. 2

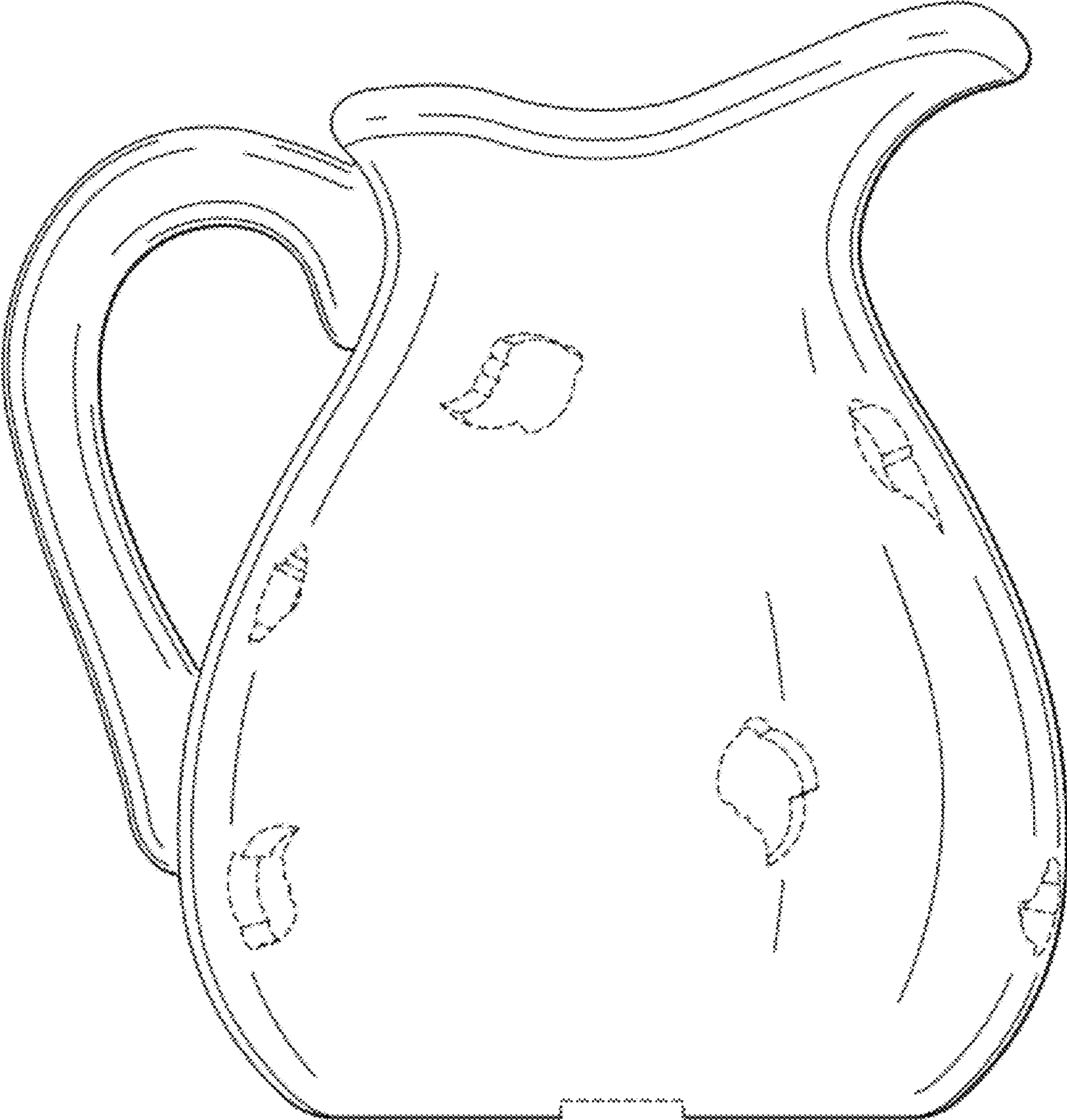


FIG. 3

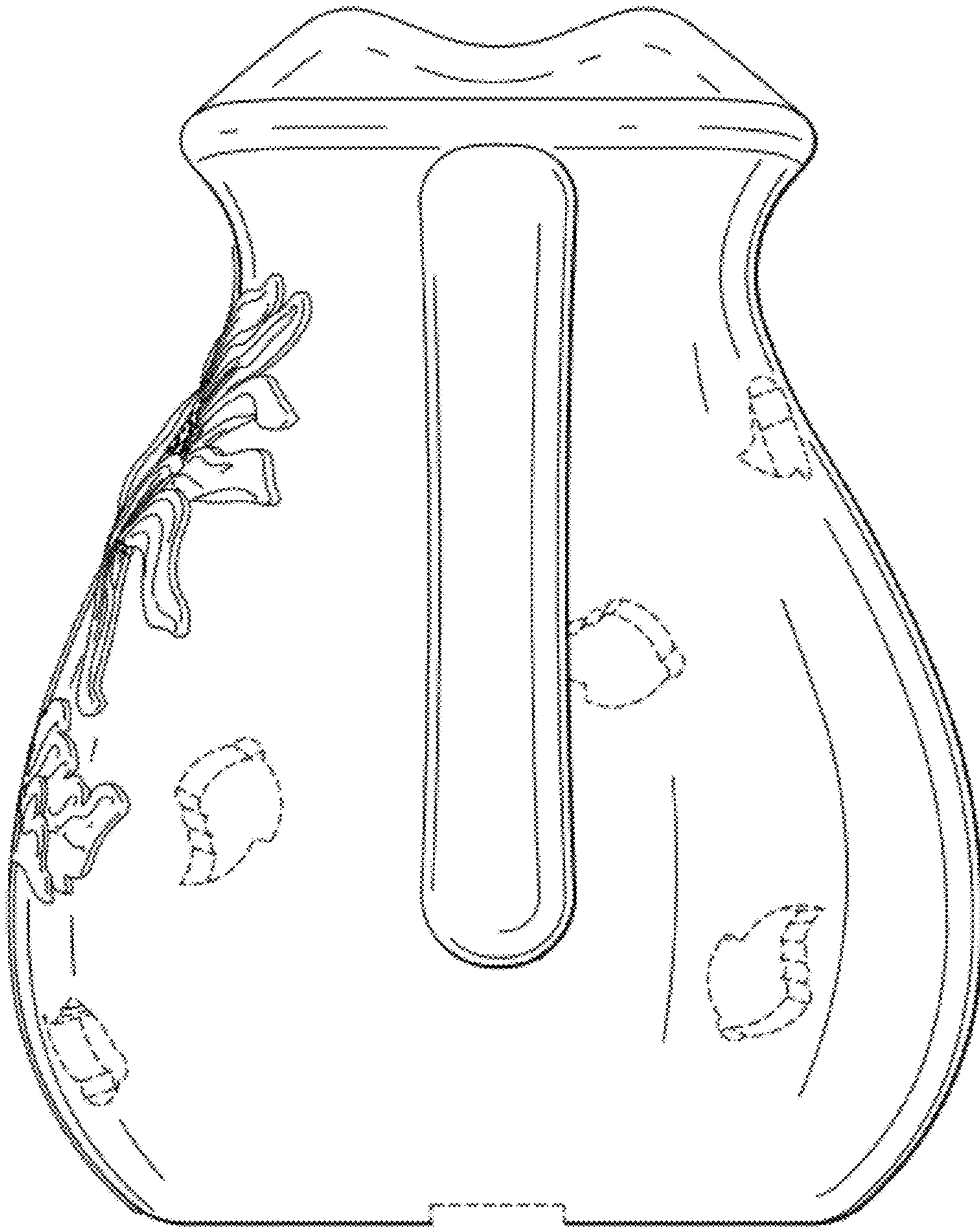


FIG. 4

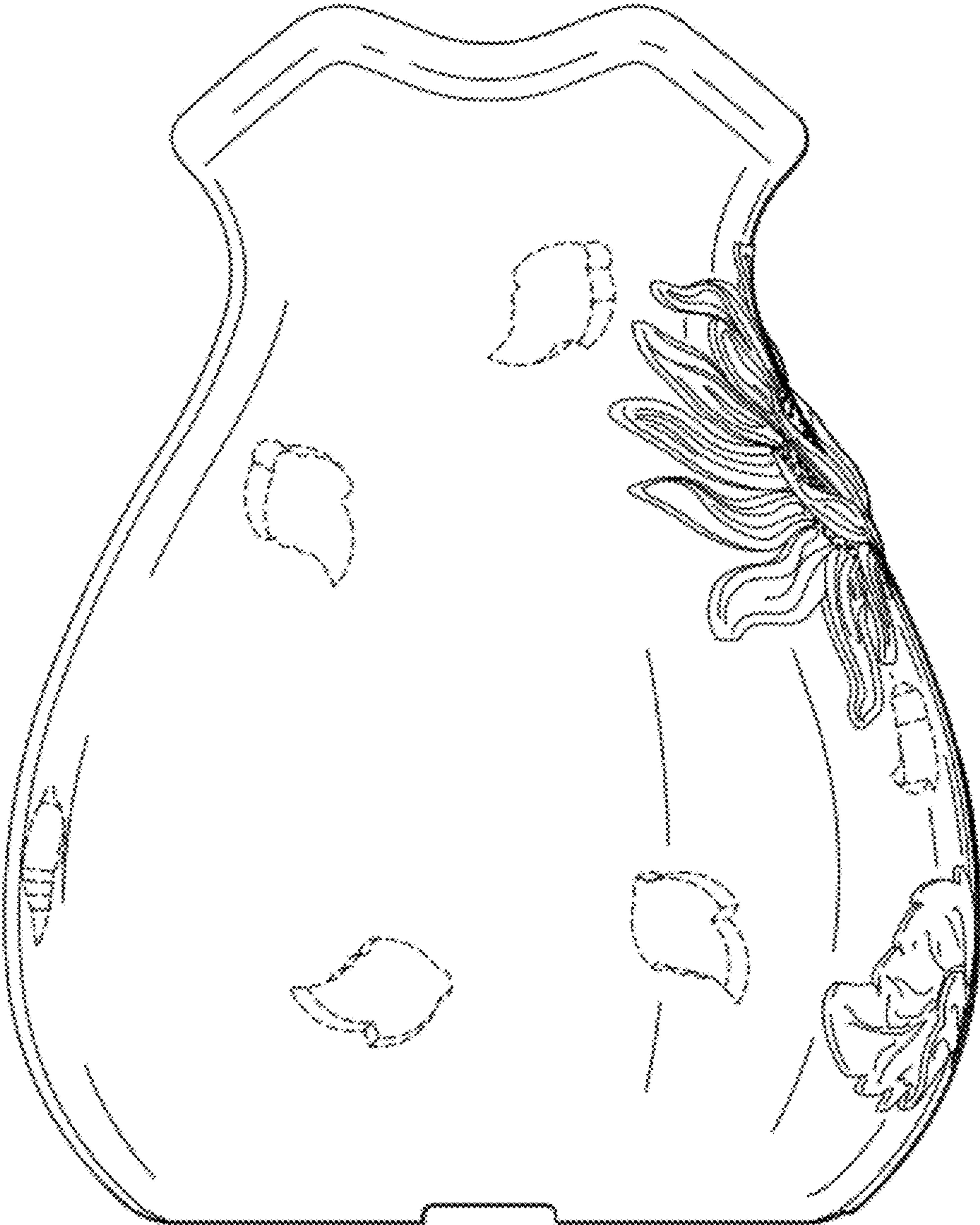


FIG. 5

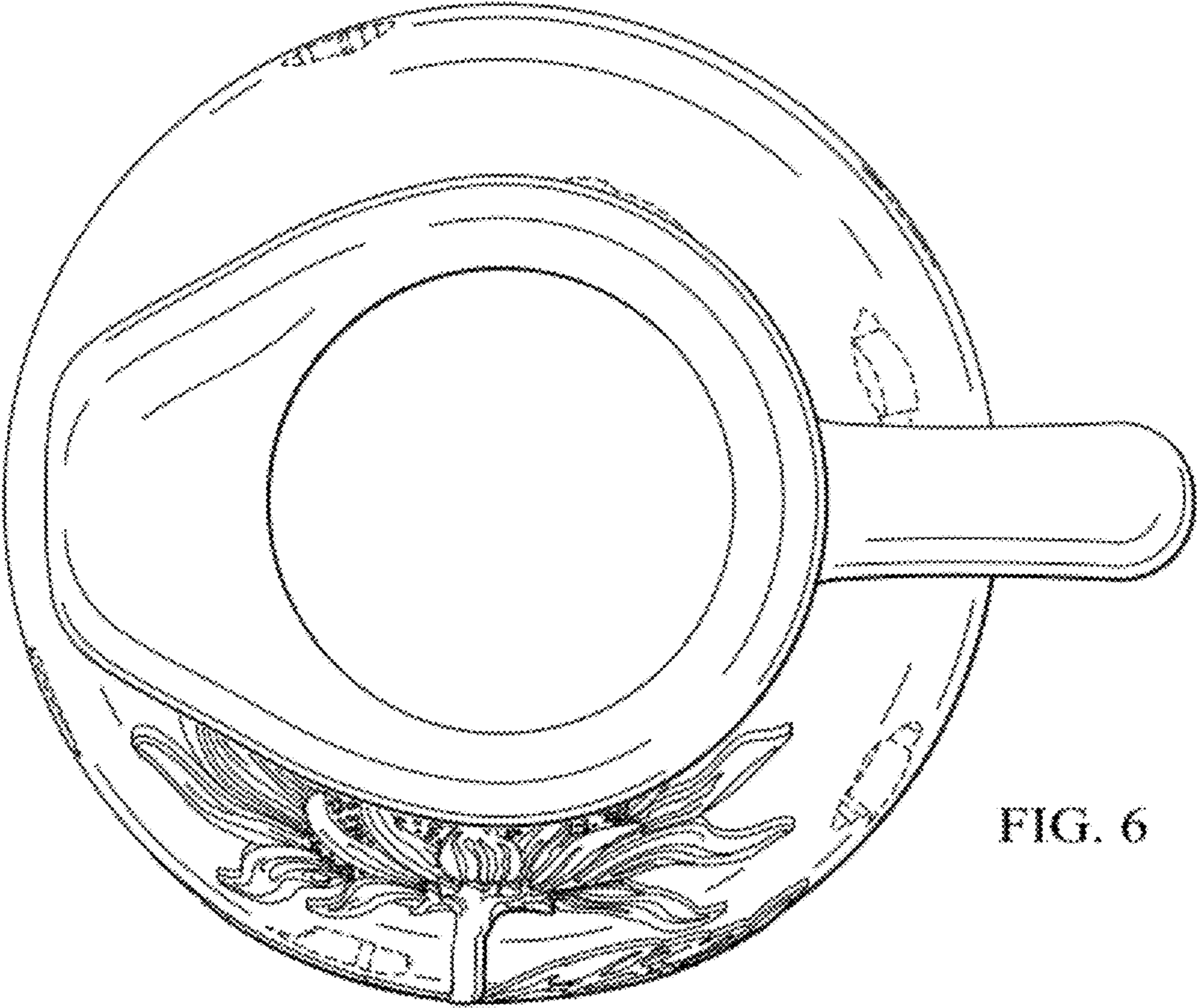


FIG. 6

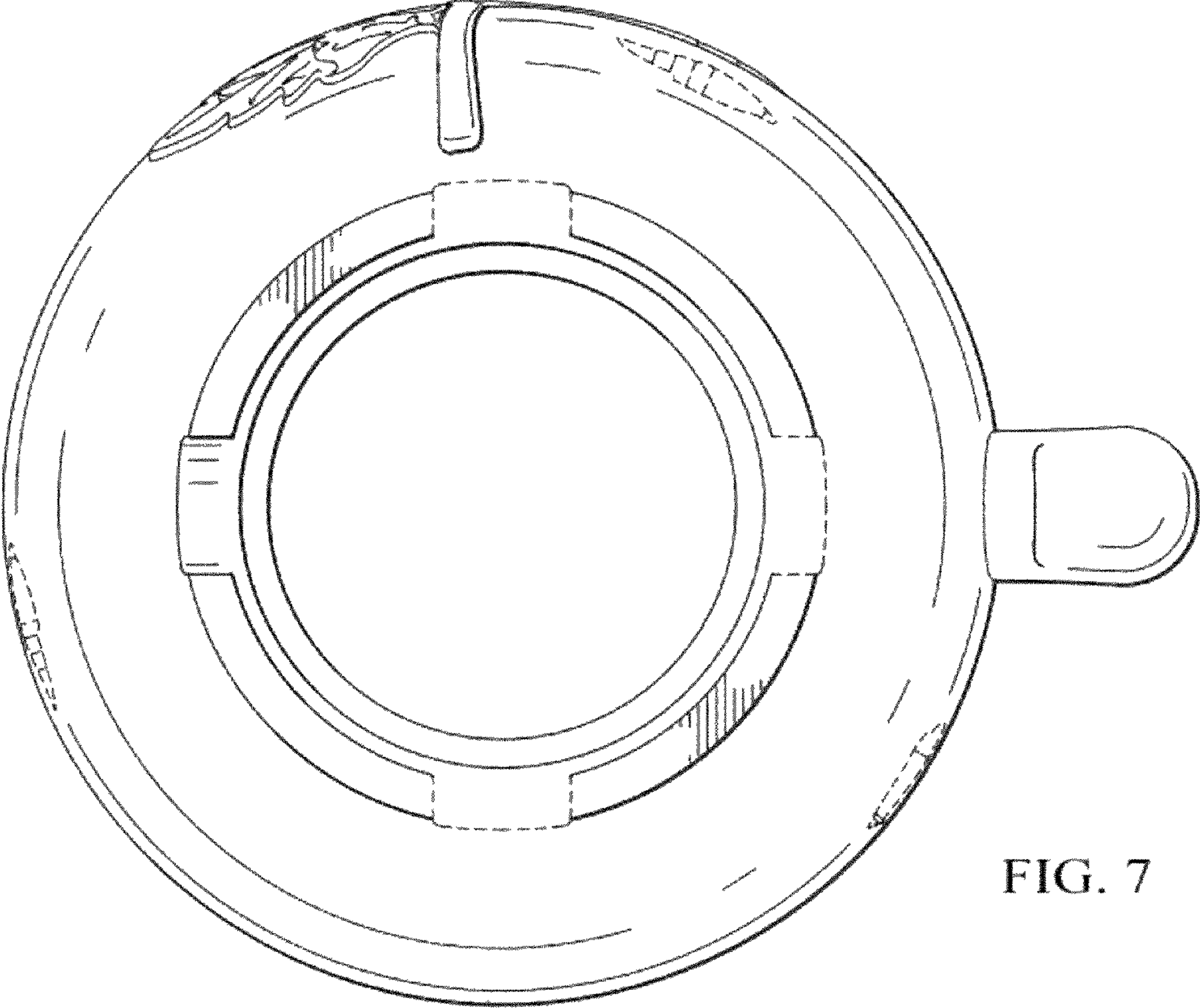


FIG. 7