

US00D662583S

(12) **United States Design Patent**  
**Browder**

(10) **Patent No.:** **US D662,583 S**

(45) **Date of Patent:** **\*\* Jun. 26, 2012**

(54) **HEATING UNIT**

(75) Inventor: **John Browder**, Argyle, TX (US)

(73) Assignee: **IDC Enchanted Lighting Company, LLC**, Roanoke, TX (US)

(\*\*) Term: **14 Years**

(21) Appl. No.: **29/412,732**

(22) Filed: **Feb. 7, 2012**

**Related U.S. Application Data**

(63) Continuation-in-part of application No. 29/405,477, filed on Nov. 2, 2011, now Pat. No. Des. 656,600.

(51) **LOC (9) Cl.** ..... **28-99**

(52) **U.S. Cl.** ..... **D23/366**

(58) **Field of Classification Search** ..... D23/355-369;  
D28/5, 6; 261/DIG. 17, DIG. 42, DIG. 65,  
261/DIG. 88, DIG. 89; 392/386, 390, 394,  
392/395; 239/34, 44, 53, 55, 56, 326  
See application file for complete search history.

(56) **References Cited**

**U.S. PATENT DOCUMENTS**

4,161,284	A *	7/1979	Rattan	.....	239/43
4,849,606	A *	7/1989	Martens et al.	.....	392/390
6,037,574	A *	3/2000	Lanham et al.	.....	219/544
6,141,496	A *	10/2000	Sundberg et al.	.....	392/390

6,289,176	B1 *	9/2001	Martter et al.	.....	392/392
D451,990	S *	12/2001	Millet	.....	D23/366
D520,129	S *	5/2006	Sevy	.....	D23/367
D565,164	S *	3/2008	Duston et al.	.....	D23/366
7,398,013	B2 *	7/2008	He et al.	.....	392/394
D589,471	S *	3/2009	Komatsu	.....	D13/182
D610,666	S *	2/2010	Furner et al.	.....	D23/366
D641,856	S *	7/2011	Walter et al.	.....	D23/366
D641,857	S *	7/2011	Walter et al.	.....	D23/366
D649,237	S *	11/2011	Bilko et al.	.....	D23/366
D653,744	S *	2/2012	Li	.....	D23/366

\* cited by examiner

*Primary Examiner* — Sandra Snapp

(74) *Attorney, Agent, or Firm* — Brian Harris

(57) **CLAIM**

The ornamental design for a heating unit, as shown and described.

**DESCRIPTION**

FIG. 1 is a perspective view of a heating unit showing my new design;

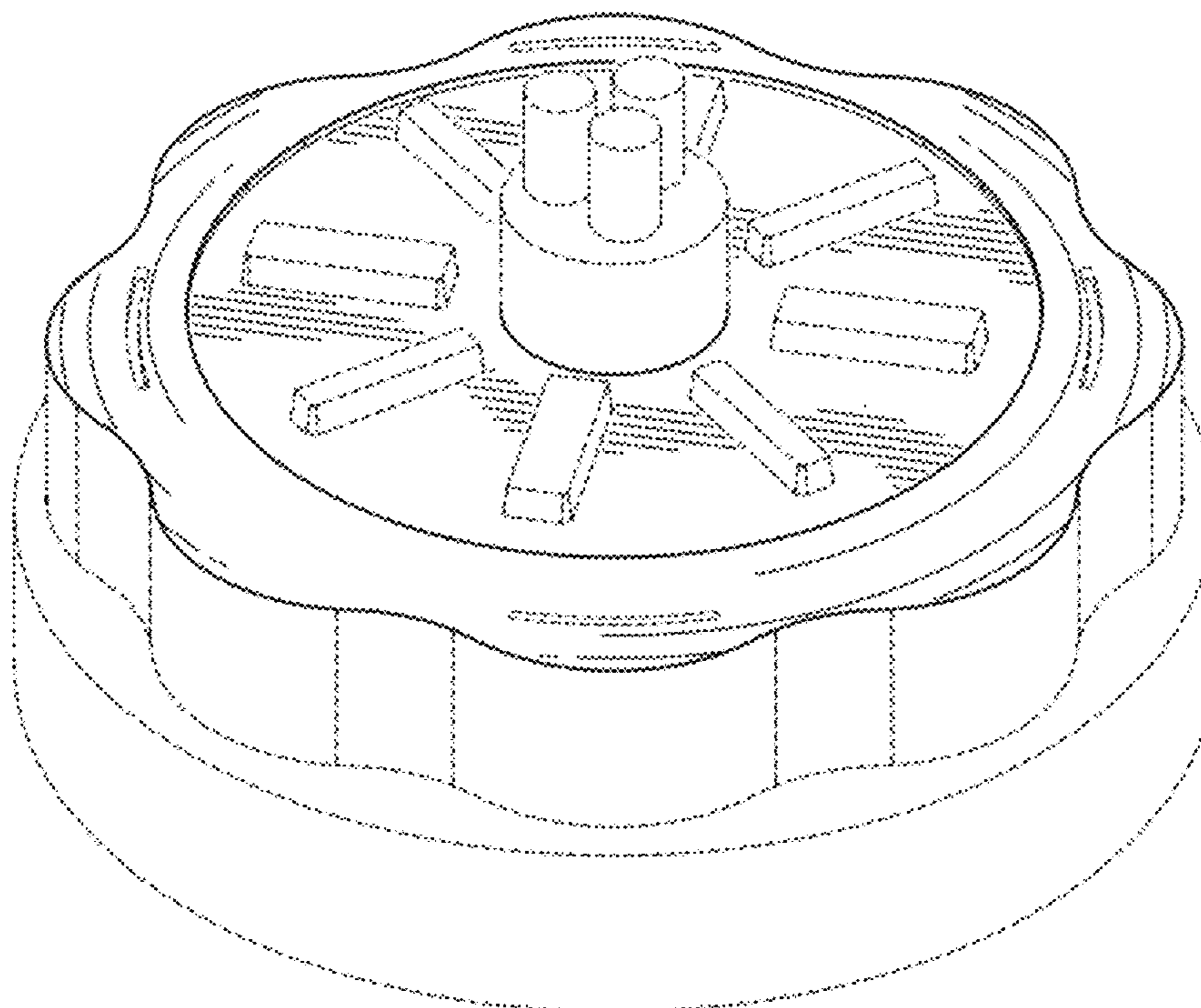
FIG. 2 is a top view thereof;

FIG. 3 is a front view thereof, the back, left side, and right side views being identical thereto; and,

FIG. 4 is a side view thereof rotated about its central axis approximately 45 degrees from the position shown in FIG. 3.

The appearance of the bottom side forms no part of the claimed design. The broken lines form no part of the claimed design.

**1 Claim, 3 Drawing Sheets**



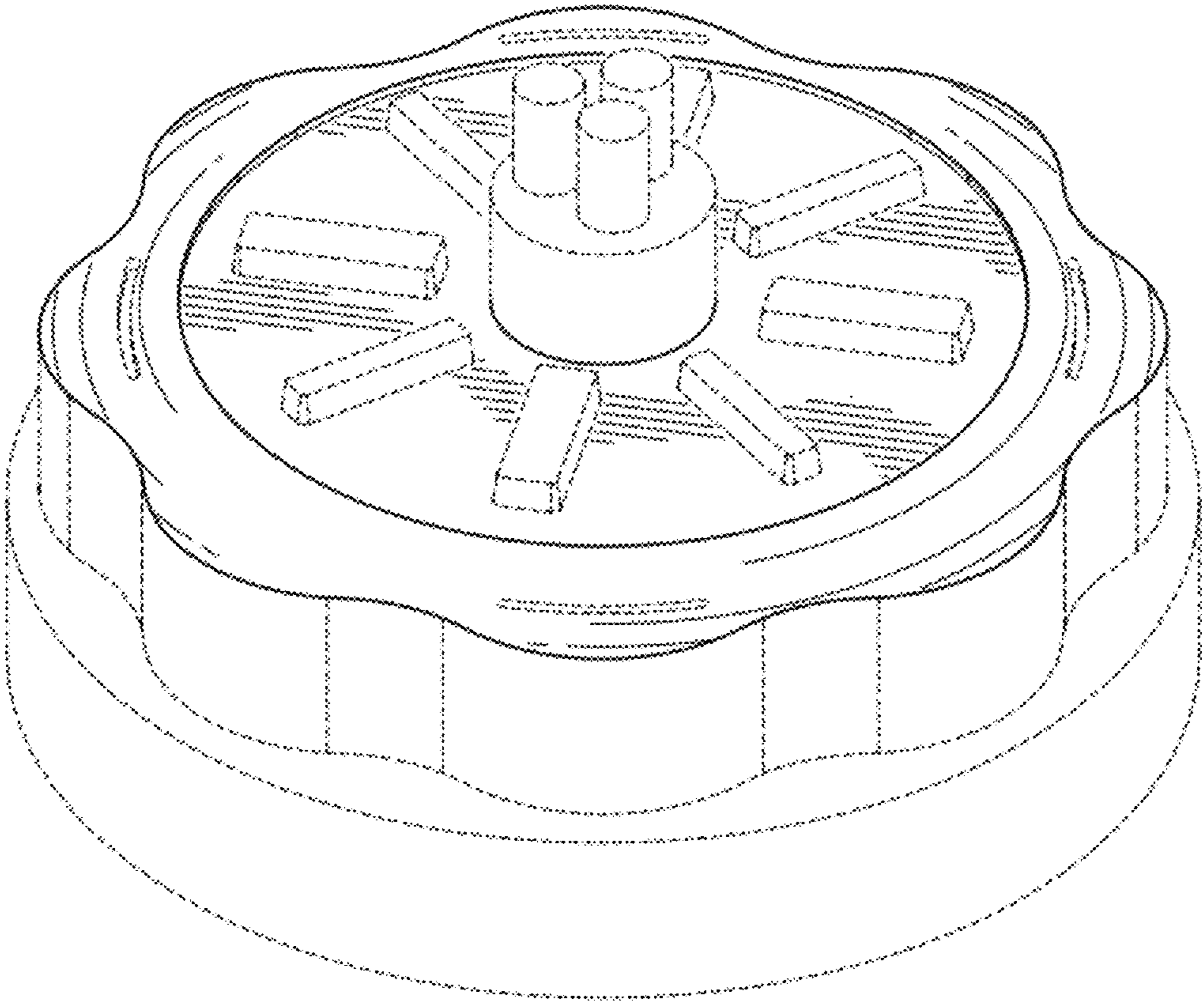


FIG. 1

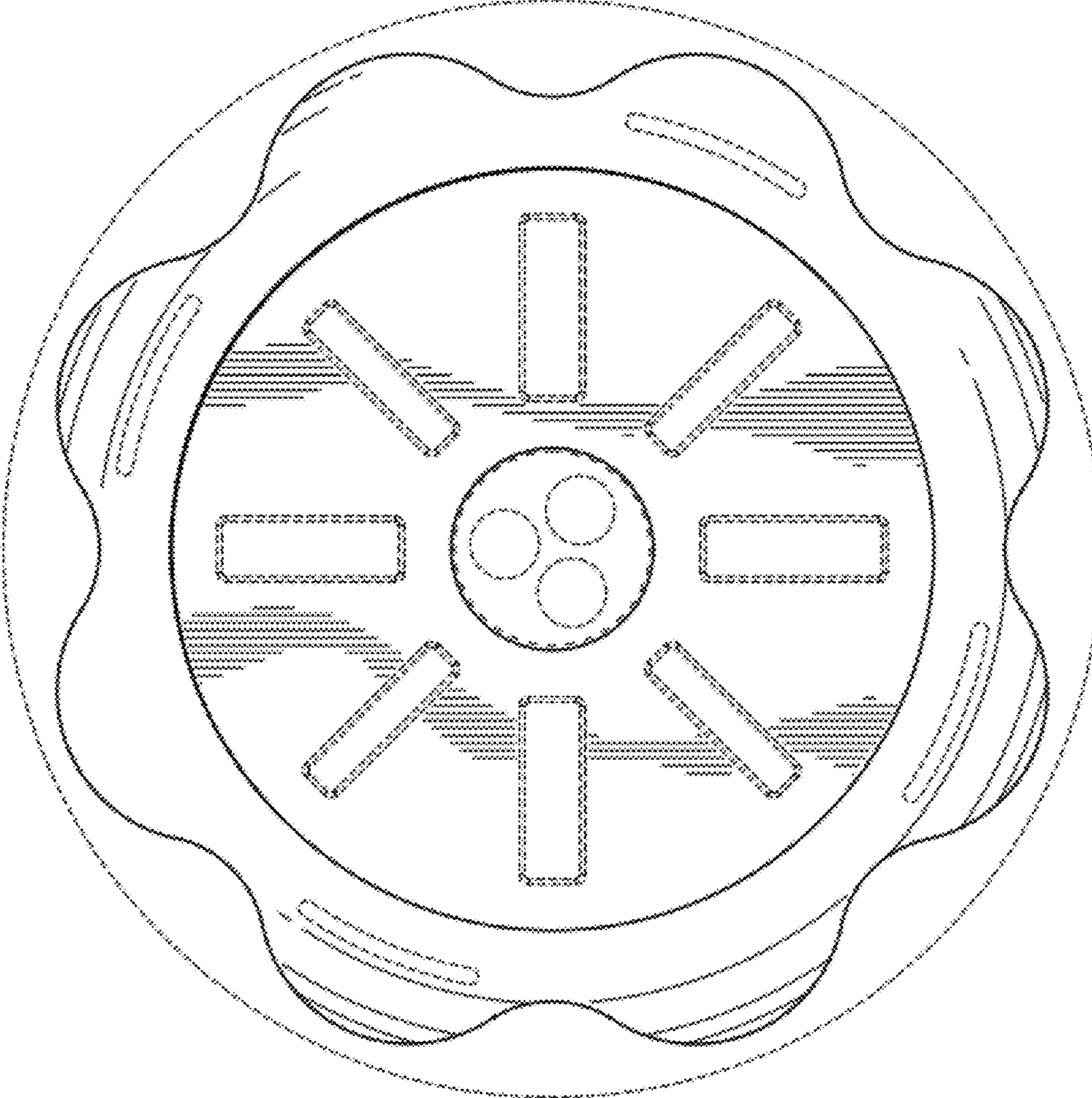


FIG. 2



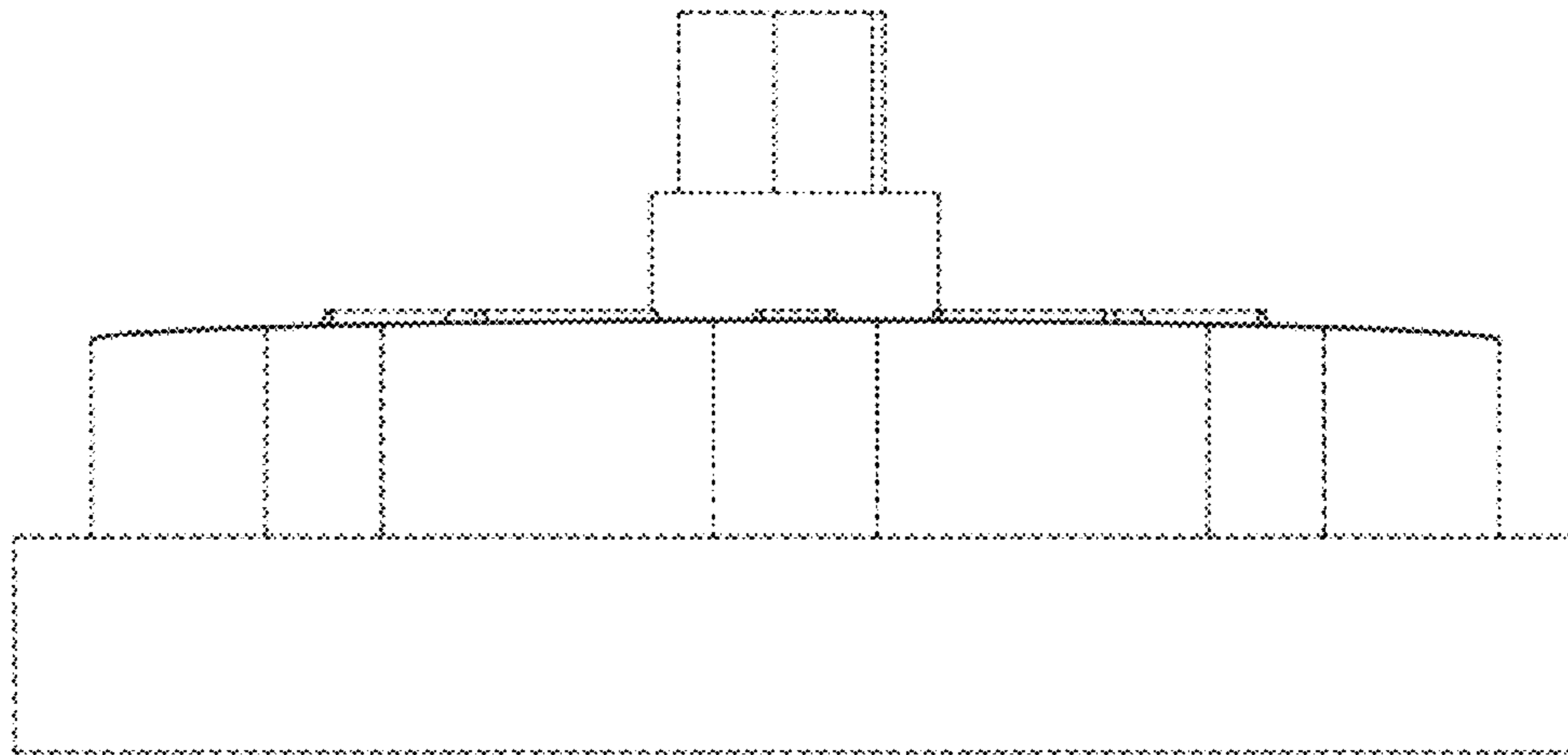


FIG. 3

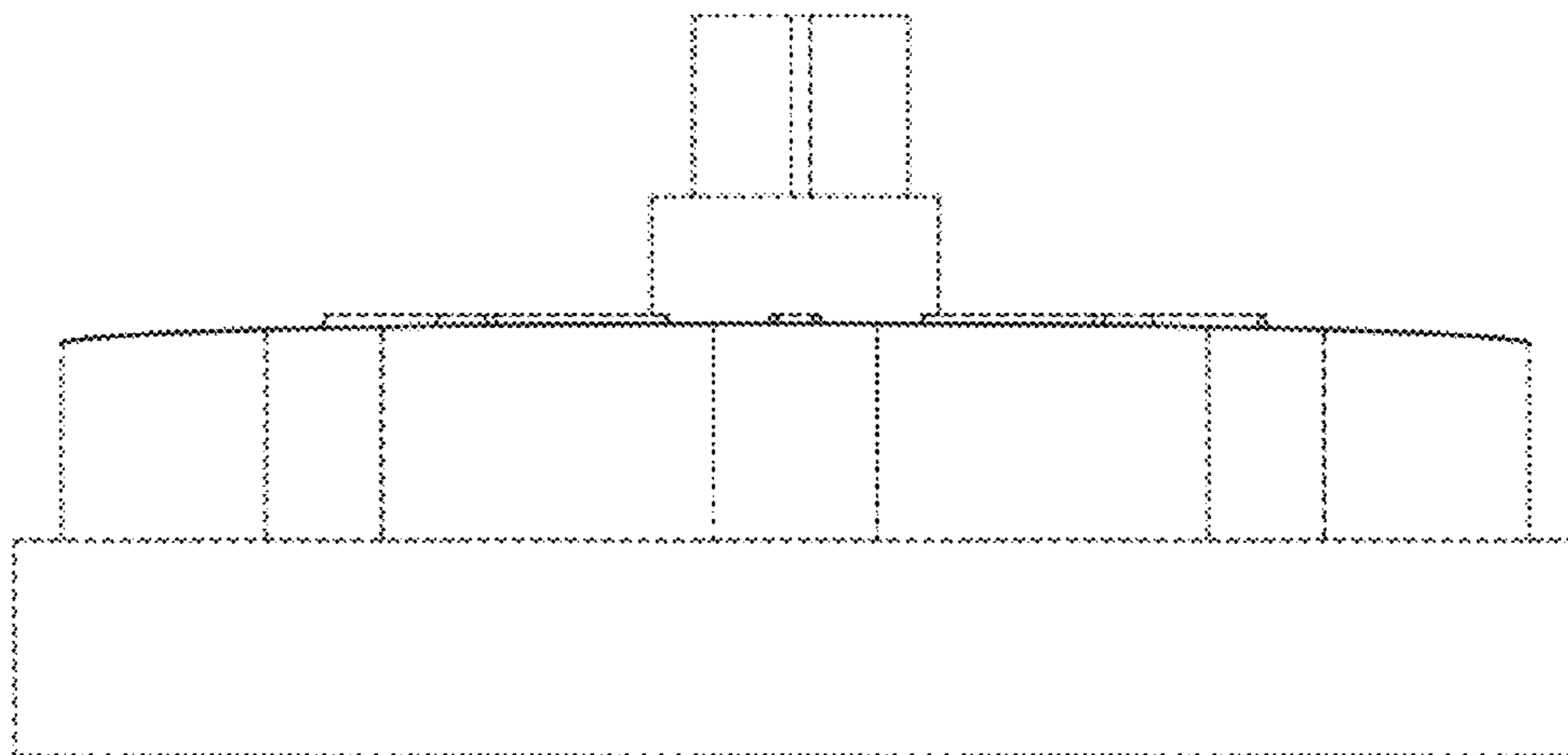


FIG. 4