



US00D662581S

(12) **United States Design Patent**
Savegnago

(10) **Patent No.:** **US D662,581 S**

(45) **Date of Patent:** **** Jun. 26, 2012**

(54) **DIFFUSER HEAD**

(75) Inventor: **Donald J. Savegnago**, Wheaton, IL (US)

(73) Assignee: **Alternative Wastewater Systems, Inc.**,
Wheaton, IL (US)

(**) Term: **14 Years**

(21) Appl. No.: **29/397,474**

(22) Filed: **Jul. 15, 2011**

(51) **LOC (9) Cl.** **28-99**

(52) **U.S. Cl.** **D23/366**

(58) **Field of Classification Search** D23/355-369;
D28/5, 6; 261/DIG. 17, DIG. 42, DIG. 65,
261/DIG. 88, DIG. 89; 392/386, 390, 394,
392/395; 239/34, 44, 53, 55, 56, 326

See application file for complete search history.

(56) **References Cited**

U.S. PATENT DOCUMENTS

D21,213 S	4/1894	Redon	
D23,210 S	4/1894	Hutchins	
D23,366 S	6/1894	West	
D319,781 S *	9/1991	Halm et al.	D32/29.1
D392,032 S *	3/1998	Zaragoza et al.	D23/369
D454,190 S *	3/2002	Trocola	D23/366
6,435,694 B1 *	8/2002	Bell et al.	362/161
D507,636 S	7/2005	Baraky et al.	
D535,376 S *	1/2007	Michaels et al.	D23/366
D536,081 S *	1/2007	Steinel	D23/366
D544,084 S *	6/2007	Michaels et al.	D23/366
D547,430 S *	7/2007	Low	D23/364

D550,341 S *	9/2007	Di Robilant	D23/359
D611,587 S *	3/2010	Dineen	D23/366
D611,588 S	3/2010	Jorgensen	
D612,473 S	3/2010	Valentino et al.	
D614,277 S *	4/2010	Hsiao	D23/366
D617,439 S *	6/2010	Valentino et al.	D23/367
D621,494 S *	8/2010	Li	D23/366
D621,495 S *	8/2010	Li	D23/366
D622,835 S *	8/2010	Mendheim	D23/364
D637,275 S *	5/2011	Baraky	D23/366
D638,112 S	5/2011	Hisey et al.	
D638,311 S *	5/2011	Diss	D9/776
D647,189 S *	10/2011	Mochizuki et al.	D23/366
D650,056 S *	12/2011	Li	D23/366

* cited by examiner

Primary Examiner — Sandra Snapp

(74) *Attorney, Agent, or Firm* — Cherskov Flaynik & Gurda,
LLC

(57) **CLAIM**

The ornamental design for a diffuser head, as shown and described.

DESCRIPTION

FIG. 1 is a front, top perspective view of the design;
FIG. 2 is a top plan view thereof;
FIG. 3 is a bottom plan view thereof;
FIG. 4 is a front elevational view thereof;
FIG. 5 is a rear elevational view thereof;
FIG. 6 is a right elevational view thereof; and,
FIG. 7 is a left elevational view thereof.

1 Claim, 4 Drawing Sheets

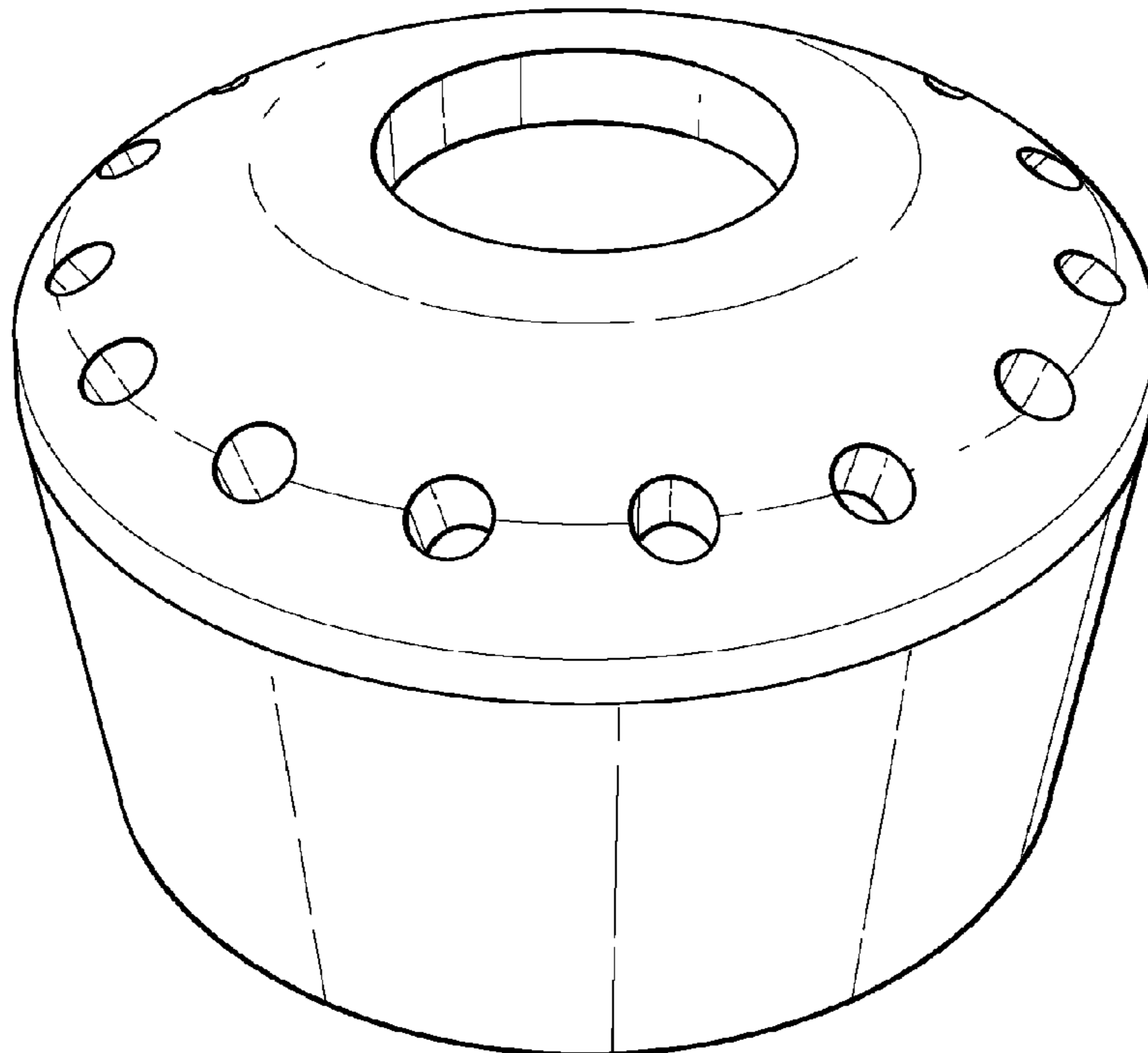


Fig. 1

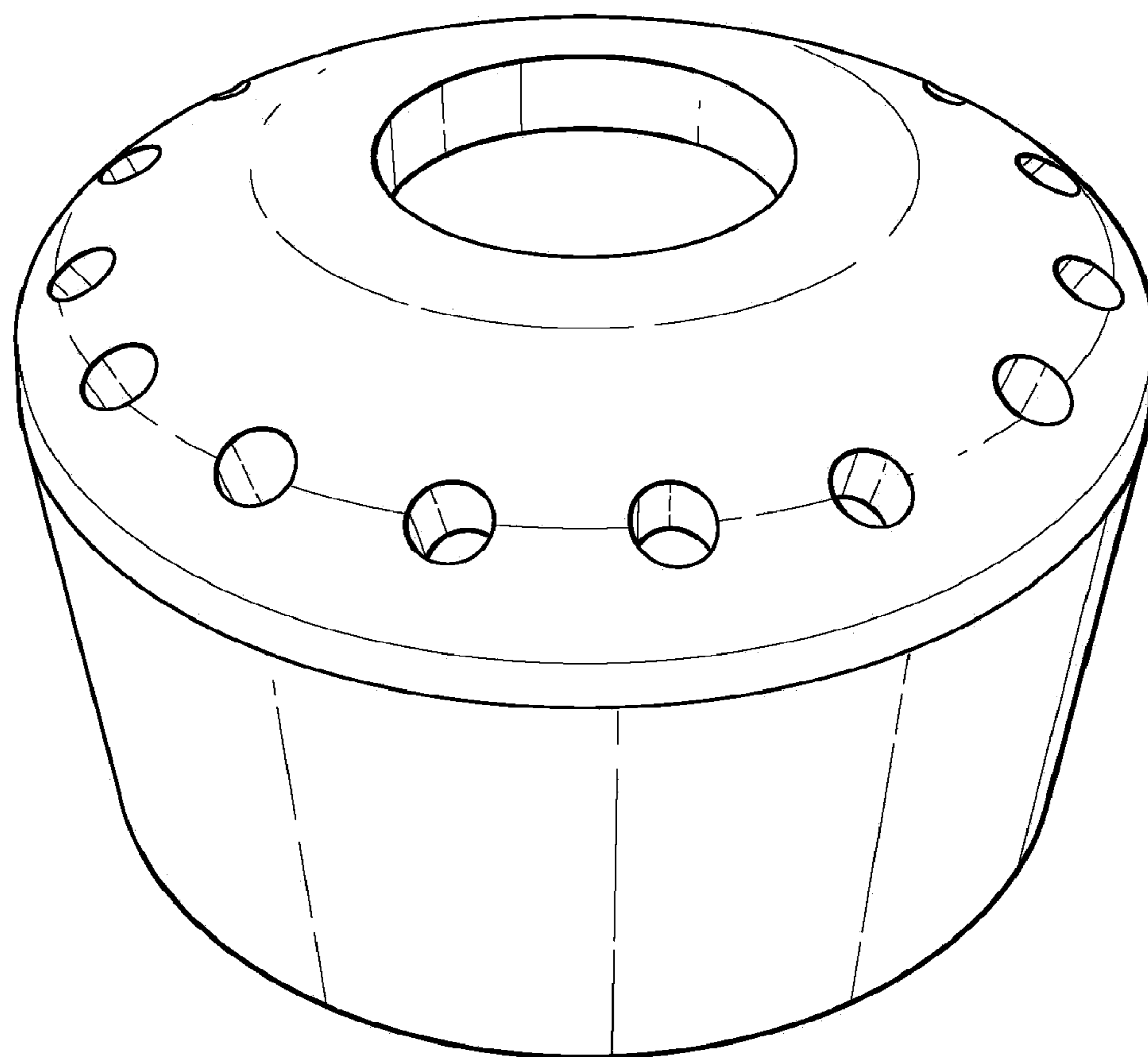


Fig. 2

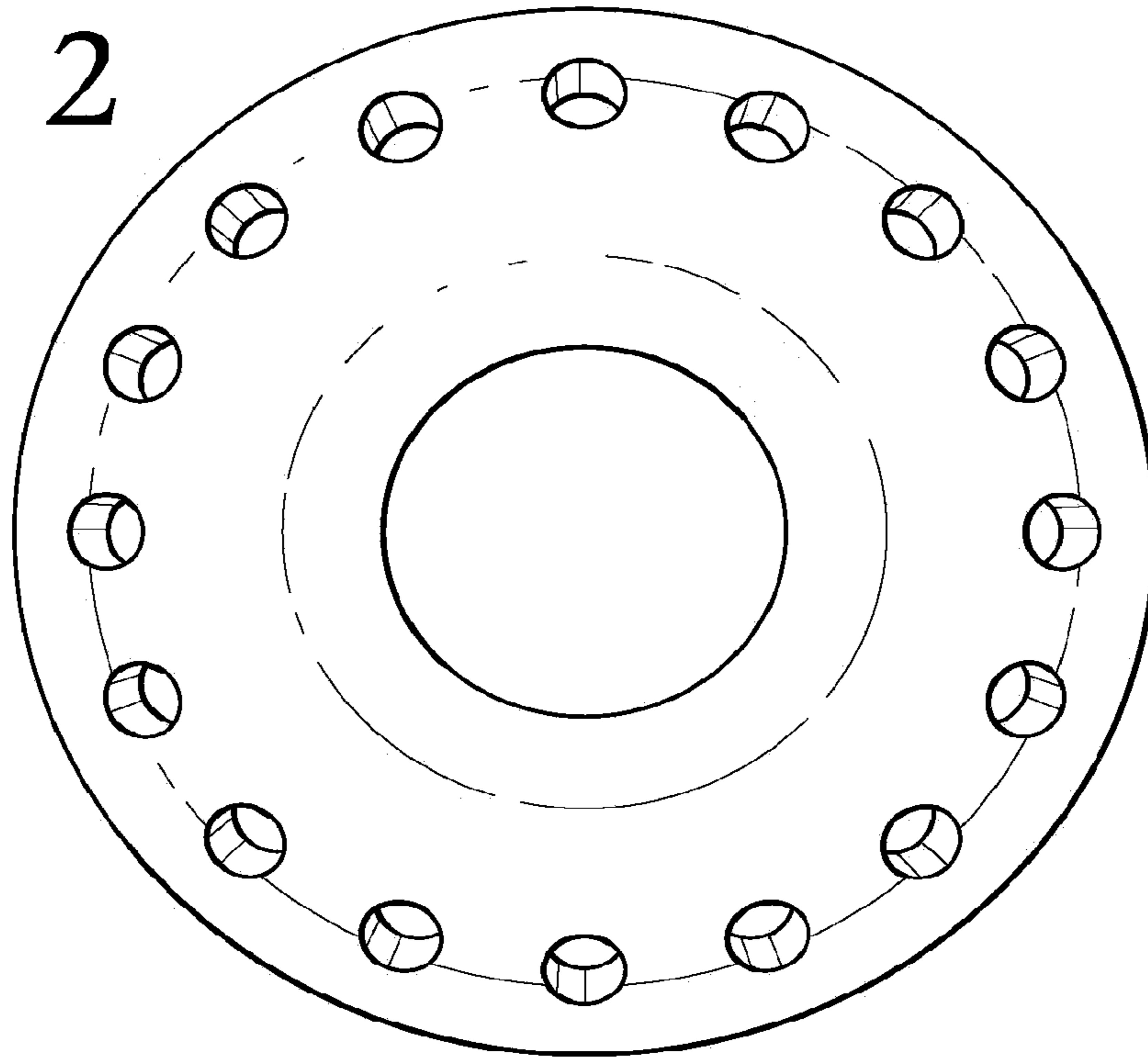


Fig. 3

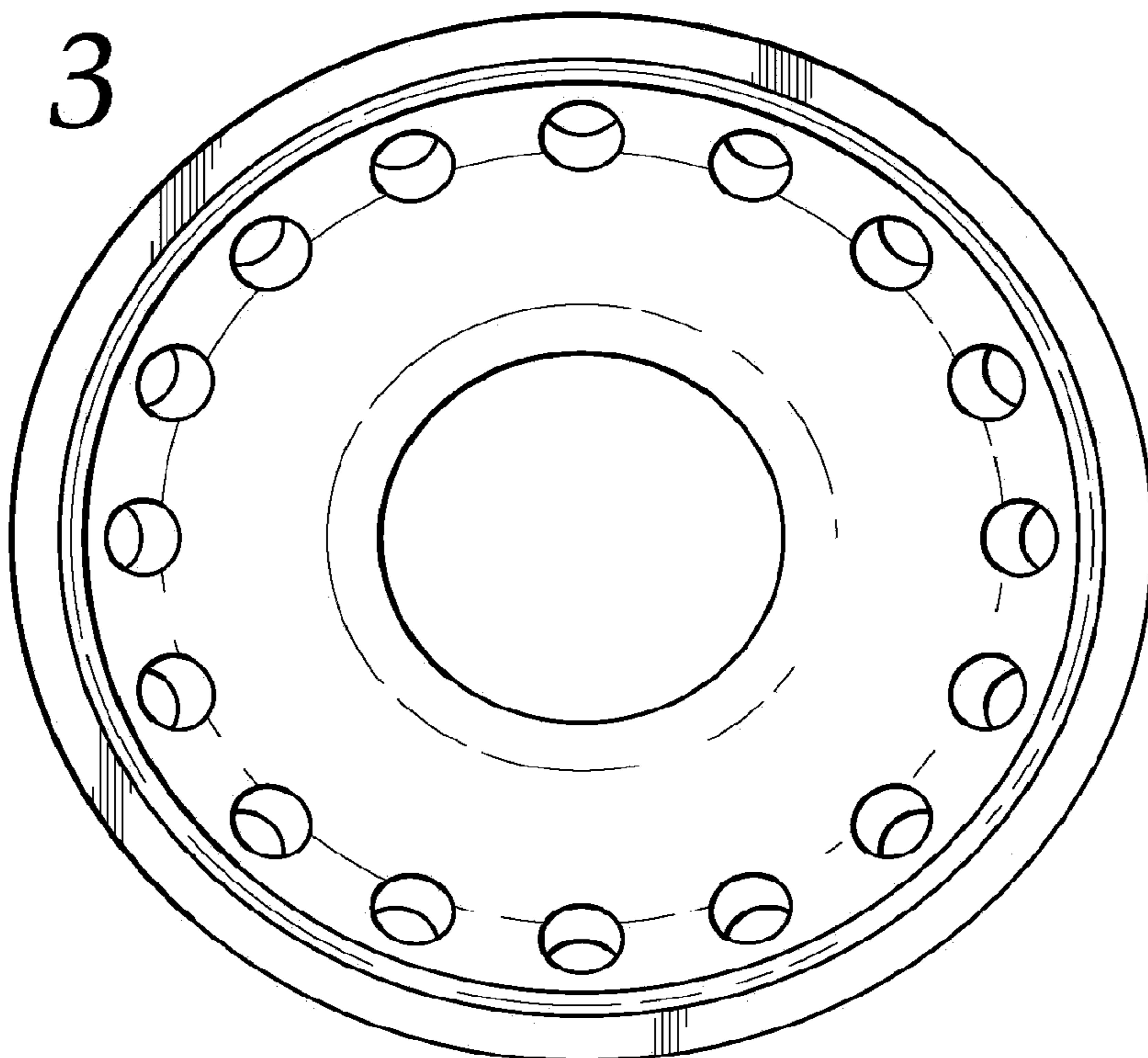


Fig. 4

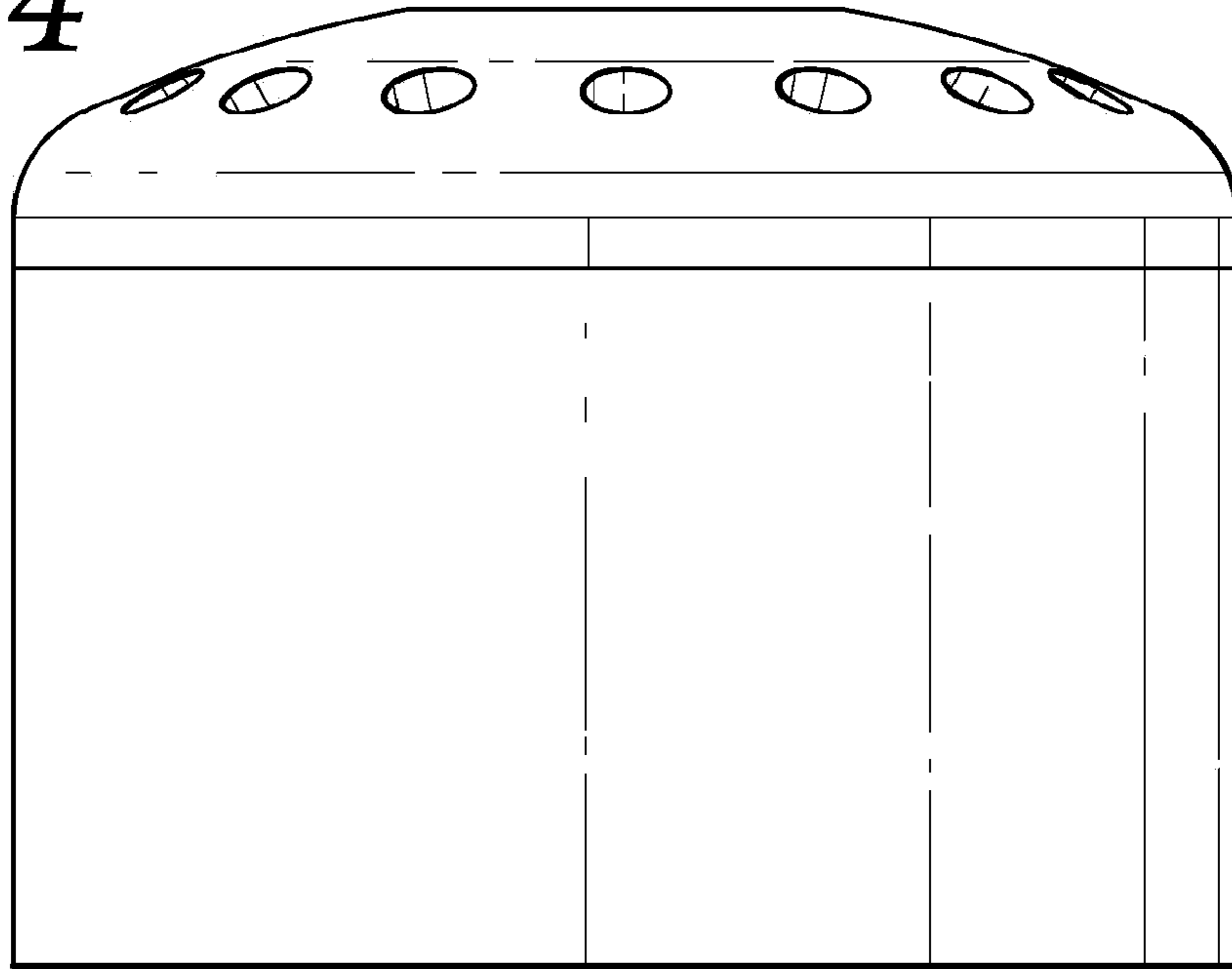


Fig. 5

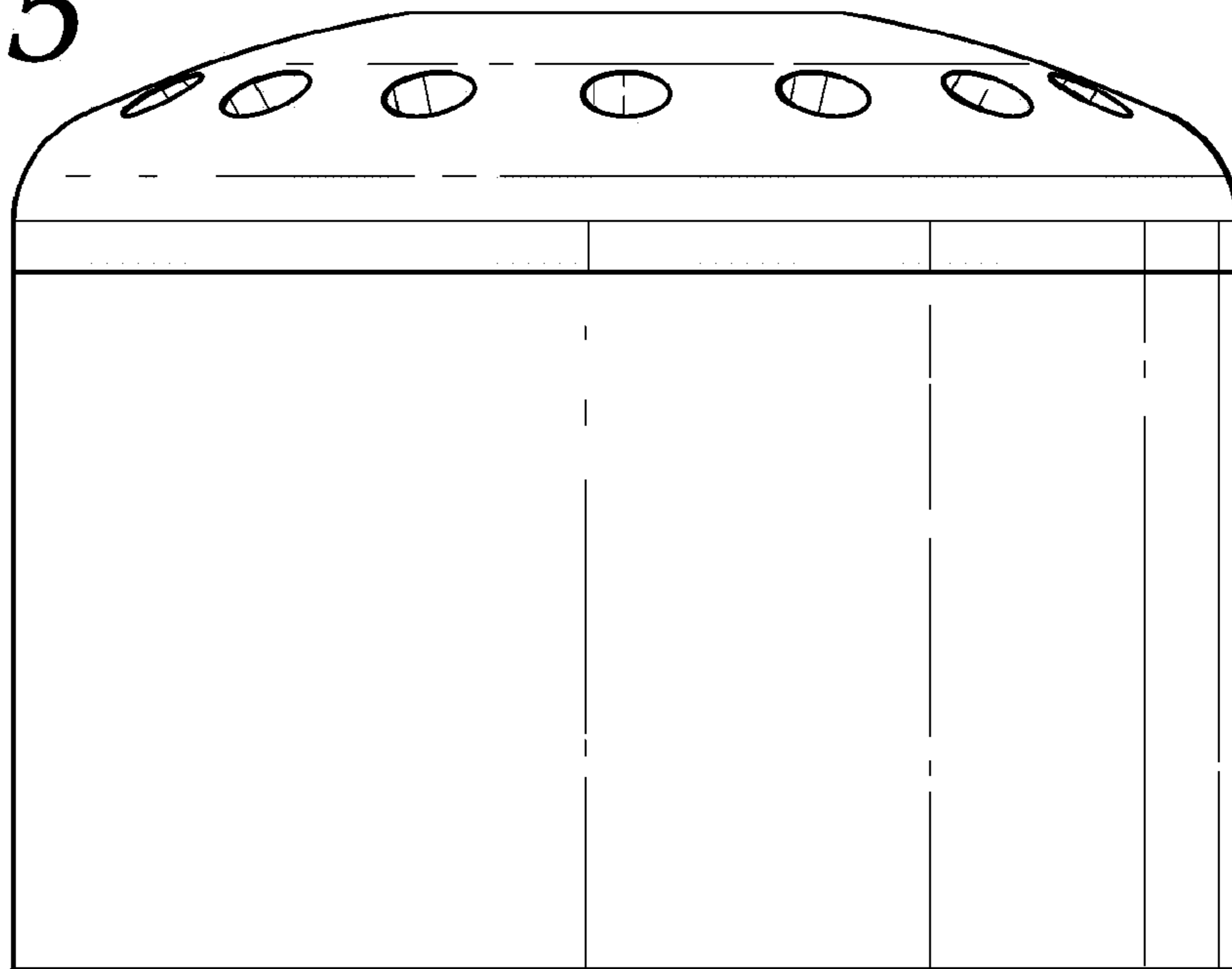


Fig. 6

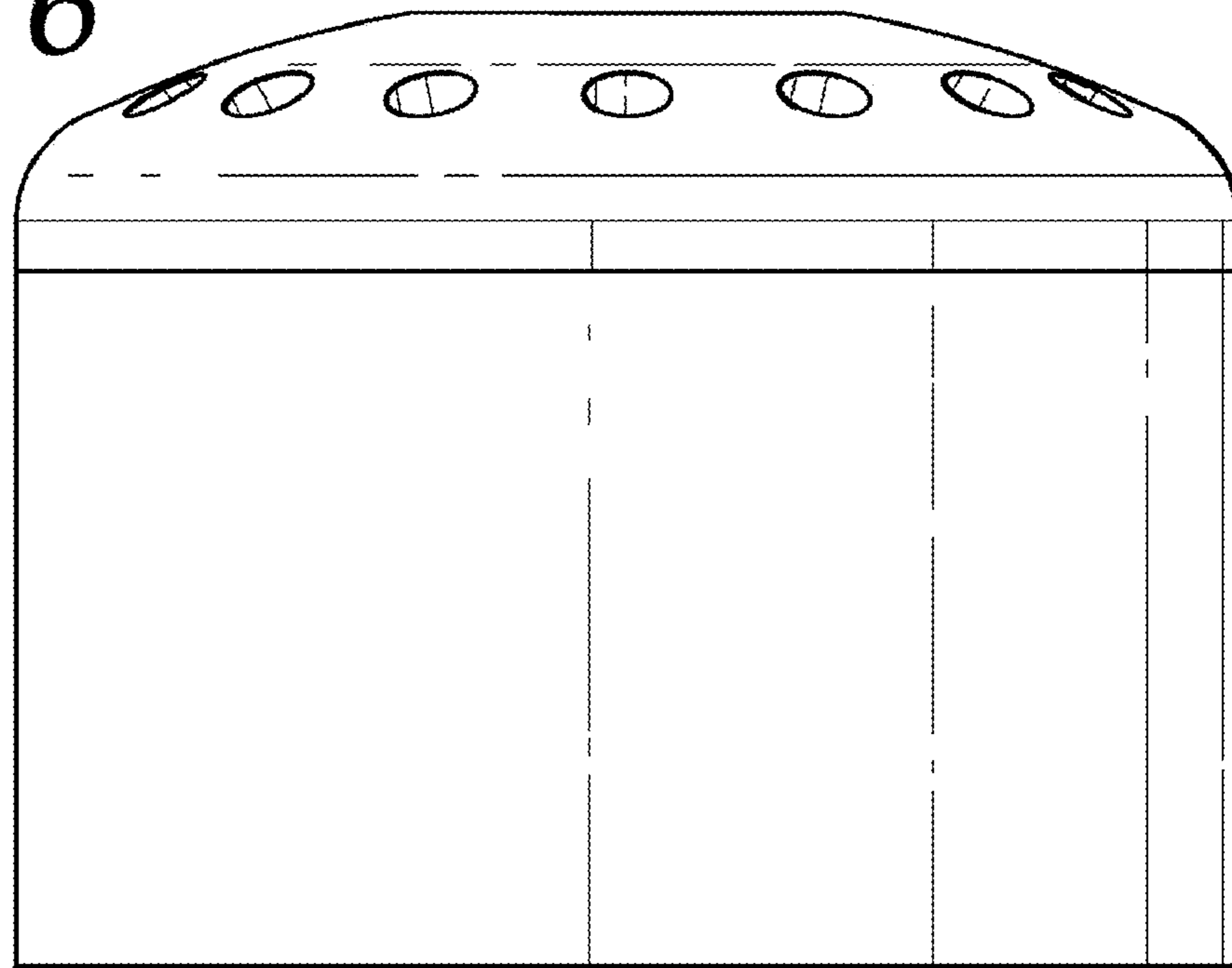


Fig. 7

